

HOZELOCK

4230
4231
4232

STANDARD 5L / STANDARD 7L / STANDARD 10L



5L

Total volume
Capacit  totale
Totale Kapazit t
Totale capacitat
Capacidad total
Capacitat total



7L

Total volume
Capacit  totale
Totale Kapazit t
Totale capacitat
Capacidad total
Capacitat total



10L

Total volume
Capacit  totale
Totale Kapazit t
Totale capacitat
Capacidad total
Capacitat total



Hozelock Ltd
Midpoint Park, Birmingham,
B76 1AB. ENGLAND
Tel: +44 (0) 121 313 1122

Hozelock-Exel
891 route des Fr nes - 69653
Villefranche-sur-Sa ne Cedex
FRANCE

Hozelock Australia Pty Ltd
(ABN 83 154 891 648)
Unit 42 / 74 Indian Drive
Keysborough Victoria 3173
1300 275175
australiainmail@hozelock.com

www.hozelock.com
Ref. 33939-000



UK The instructions must be read before use

F À lire impérativement avant la mise en service

D Diese Anleitung vor Inbetriebnahme bitte unbedingt lesen

NL Lees deze gebruiksaanwijzing voordat u het apparaat gebruikt

E Leer obligatoriamente antes de la primera utilización

S Läs noga före användning

N Må leses før apparatet tas i bruk

FIN Ohjeet on välttämätöntä lukea ennen käytön aloittamista

DK Skal altid læses inden idriftsættelse

I Da leggere tassativamente prima della messa in servizio

P A ler imperativamente antes da colocação em serviço

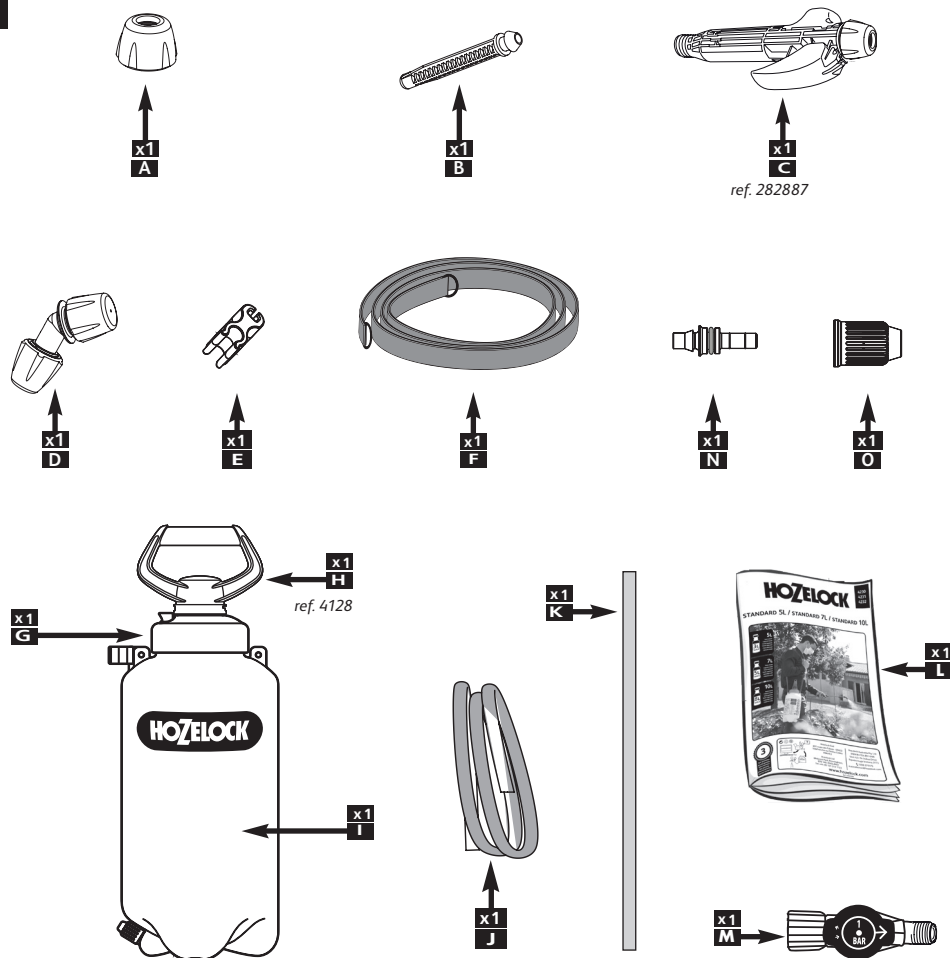
PL Obowiązkowo przeczytać przed uruchomieniem

GR Διαβάστε οπωσδήποτε τις οδηγίες πριν θέσετε τη συσκευή σε λειτουργία

RU Обязательно прочтите настоящее руководство перед началом эксплуатации

RO De citit obligatoriu înainte de punerii în funcțiune

1



UK

- A. Handle nut
- B. Filter
- C. Handle
- D. Nozzle
- E. Lance clip
- F. Strap
- G. Safety valve
- H. Pump
- I. Tank
- J. Hose
- K. Lance tube
- L. Manual
- M. 1 Bar pressure regulator (depending on model)
- N. Outlet Adaptor
- O. Hose nut

F

- A. Écrou
- B. Filtre
- C. Poignée
- D. Buse
- E. Clip de lance
- F. Bretelle
- G. Soupape de sécurité
- H. Pompe
- I. Réservoir
- J. Tuyau
- K. Tube de lance
- L. Notice
- M. Régulateur de pression 1 Bar (selon modèle)
- N. Tubulure
- O. Ecrou tuyau

D

- A. Mutter
- B. Filter
- C. Griff
- D. Düse (je nach Modell)
- E. Spritzrohrclip
- F. Gurt
- G. Sicherheitsventil
- H. Pumpe
- I. Behälter
- J. Schlauch
- K. Spritzrohr
- L. Anleitung
- M. 1-bar-Druckregler (je nach Modell)
- N. Stutzen
- O. Mutter

NL

- A. Moer
- B. Filter
- C. Handgreep
- D. Mondstuk (afhankelijk van het model)
- E. Clip sproeilans
- F. Band
- G. Veiligheidsklep
- H. Pomp
- I. Tank
- J. Slang
- K. Sproeilans
- L. Handleiding
- M. Drukregelaar 1 bar (afhankelijk van het model)
- N. Aansluitstuk
- O. Moer

E

A. Tuerca
 B. Filtro
 C. Mango
 D. Boquilla (según el modelo)
 E. Clip de la lanza
 F. Correa
 G. Válvula de seguridad
 H. Bomba
 I. Depósito
 J. Tubo
 K. Tubo de la lanza
 L. Manual
 M. Regulador de presión de 1 bar (según el modelo)
 N. Tubería
 O. Tuerca

S

A. Mutter
 B. Filter
 C. Handtag
 D. Munstykke (beroende på modell)
 E. Spjutclips
 F. Bårsele
 G. Säkerhetsventilen
 H. Pumpen
 I. Behållaren
 J. Slang
 K. Spjutrör
 L. Bruksanvisning
 M. tryckregulator för 1 bar (beroende på modell)
 N. Grenrör
 O. Mutter

N

A. Mutter
 B. Filter
 C. Håndtag
 D. Dyse (afhængig av modell)
 E. Festeclips
 F. Stropp
 G. Sikkerhetsventilen
 H. Pumpen
 I. Beholderen
 J. Slange
 K. Pekerør
 L. Bruksanvisning
 M. 1 bar trykkregulator (afhængig av modell)
 N. Slangefeste
 O. Mutter

FIN

A. Mutteri
 B. Suodatin
 C. Kahva
 D. Suutin (riippuu mallista)
 E. Varren klipsi
 F. Hihna
 G. Turvaventtiili
 H. Pumppu
 I. Säiliöön
 J. Letku
 K. Varren letku
 L. Käyttöohje
 M. 1 baarin paineensäädin (riippuu mallista)
 N. Putket
 O. Mutteri

DK

A. Møtrik
 B. Filter
 C. Håndtag
 D. Dyse (afhængigt af modellen)
 E. Lanseclips
 F. Bæresele
 G. Sikkerhedsventilen
 H. Pumpen
 I. Beholderen
 J. Slange
 K. Lanceslange
 L. Brugervejledning
 M. 1 bar-trykregulator (afhængigt af modellen)
 N. Rørsamlemuffe
 O. Møtrik

I

A. Dado
 B. Filtro
 C. Impugnatura
 D. Ugello (a seconda del modello)
 E. Clip della lancia
 F. Bretella
 G. Valvola di sicurezza
 H. Pompa
 I. Serbatoio
 J. Tubo
 K. Tubo della lancia
 L. Avvertenze
 M. Regolatore di pressione da 1 bar (a seconda del modello)
 N. Collettore
 O. Dado

P

A. Porca
 B. Filtro
 C. Punho
 D. Bico (dependendo do modelo)
 E. Clipe de lança
 F. Alça
 G. Válvula de segurança
 H. Bomba
 I. Depósito
 J. Tubo
 K. Tubo de lança
 L. Manual
 M. Regulador de pressão de 1 bar (dependendo do modelo)
 N. Tubagem
 O. Porca

PL

A. Nakręta
 B. Filtr
 C. Uchwyt
 D. Dysza (w zależności od modelu)
 E. Zapinka lancy
 F. Szelki
 G. Zawór bezpieczeństwa
 H. Pompy
 I. Zbiornika
 J. Przewód
 K. Rurka lancy
 L. Instrukcja
 M. Regulator ciśnienia 1 bar (w zależności od modelu)
 N. Przewód rurowy
 O. Nakręta

GR

A. Παξιμάδι
 Β. Φίλτρο
 C. Λαβή
 D. Μπεκ (ανάλογα με το μοντέλο)
 E. Κλιπ αυλού
 F. Ιμάντας
 G. βαλβίδα ασφαλείας
 H. αντλία
 I. ρεζερβουάρ
 J. Σωλήνας
 K. Σωλήνας αυλού
 L. Οδηγίες
 M. ρυθμιστής πίεσης 1 bar (ανάλογα με το μοντέλο)
 N. Εξάρτημα σύνδεσης
 O. Παξιμάδι




RU

A. Гайка
 B. Фильтр
 C. Рукоятка
 D. Сопло (зависит от модели)
 E. Зажим штанги
 F. Ремень
 G. Предохранительный клапан
 H. насос
 I. резервуаром
 J. Трубка
 K. Труба штанги
 L. Руководство по эксплуатации
 M. 1 регулятор барометрического давления (зависит от модели)
 N. Патрубок
 O. Гайка

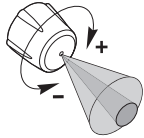

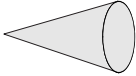


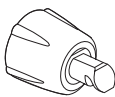

RO

A. Piuliță
 B. Filtru
 C. Mâner
 D. Duză (în funcție de model)
 E. Clip de lance
 F. Bretea
 G. Supapă de siguranță
 H. Pompa
 I. Rezervor
 J. Teavă
 K. Tubul lăncii
 L. Manual
 M. Regulator de presiune de 1 bar (în funcție de model)
 N. Tubulatură
 O. Piuliță

2**3****4****5****6****7****8**

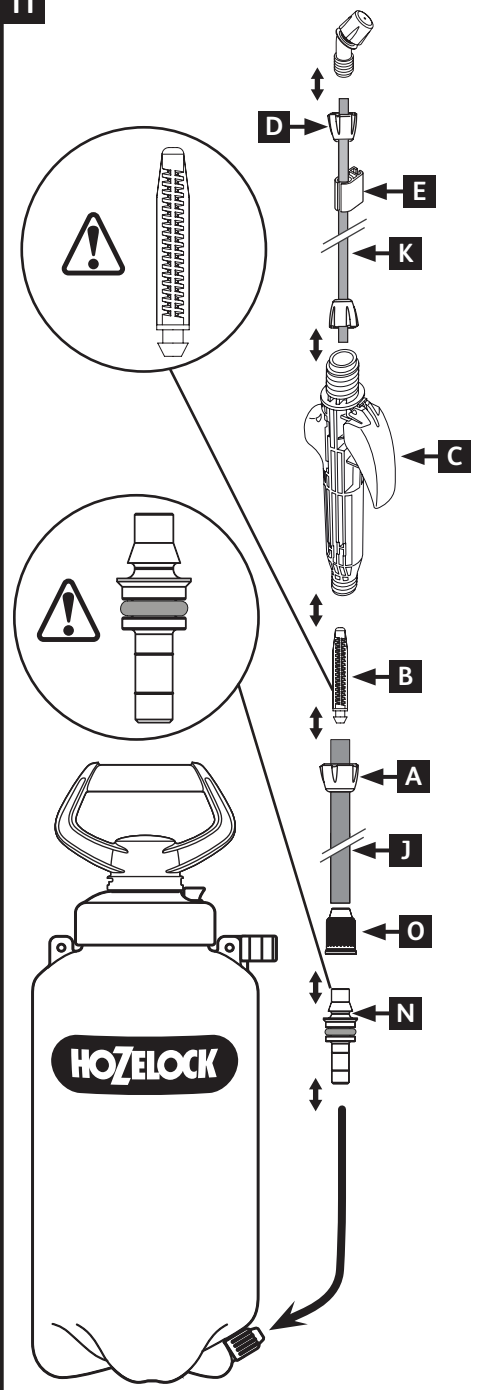
9	Reference / Référence	Empty mass* / Masse à vide*	Full mass** / Masse en charge**	Max pressure / Pression Maxi
STANDARD 5L 	4230	1,2 kg	4,2 kg	
STANDARD 7L 	4231	1,3 kg	6,3 kg	
STANDARD 10L 	4232	1,6 kg	9,6kg	

D Maximaler Druck: 3 Bar - *Leergewicht - **Gewicht mit Last	I Pressione max: 3 Bar - *Massa a vuoto - **Massa con carico
NL Max. druk: 3 Bar - *Ledig gewich - **Beladen gewicht	P Pressão máx.: 3 Bar - *Peso vazio - **Peso com carga
E Presión máx.: 3 Bar - *Peso en vacío - **Peso en carga	PL Ciśnienie maks.: 3 Bar - *Masa zbiornika pustego - **Masa z obciążeniem
S Maxtryck: 3 Bar - *Vikt, tom - **Vikt, páfyllid	GR Μέγιστη πίεση: 3 Bar - *Μάζα χωρίς φορτίο - **Μάζα με φορτίο
N Maksimāl trykk: 3 Bar - *Vekt uten væske - **Vekt med væske	RU Максимальное давление: 3 бар - *Вес в пустом состоянии - **Вес в заполненном состоянии
FIN Enimmäispaine: 3 Bar - *Massa tyhjänä - **Massa kuormattuna	RO Presiunea max.: 3 Bar - *Masă în gol - **Masă încărcat
DK Maks. tryk: 3 Bar - *Vægt når tom - **Vægt under belastning	

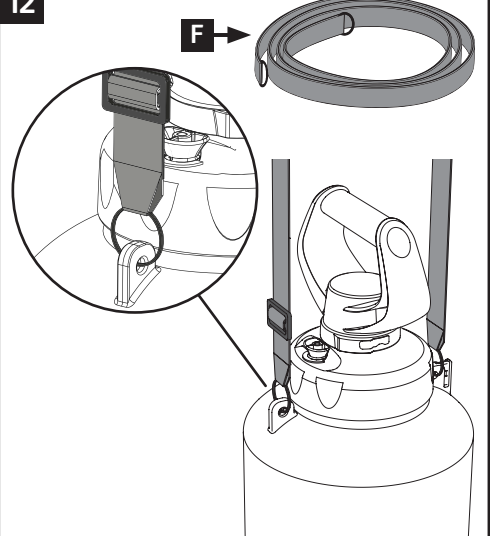
10	Nozzles / Buses	Pressure / Pression (Bar)			
		1 Bar	2 Bar	3 Bar	
		Flow rate / Débit (l/min)			
	Straight jet / Jet droit		0,9	1,2	1,5*
	Conical jet / Jet conique		0,4	0,55	0,7*
	 20-84cm	0,6*	0,7	0,8	
	 35-130cm	0,5*	0,7	-	

UK *Recommended use pressure	DK *Anbefalet brugstryk
F *Pression d'utilisation recommandée	I *Pressione raccomandata
D *Empfohlener Gebrauchsdruck	P *Pressão de uso recomendada
NL *Aanbevolen werkdruk	PL *Zalecane ciśnienie użytkowania
E *Presión de uso recomendada	GR *Συνιστώμενη πίεση χρήσης
S *Rekommenderat drifttryck	RU *Рекомендованное эксплуатационное давление
N *Anbefalt brukstrykk	RO *Presiunea de utilizare recomandată
FIN *Suositeltu käyttöpainne	

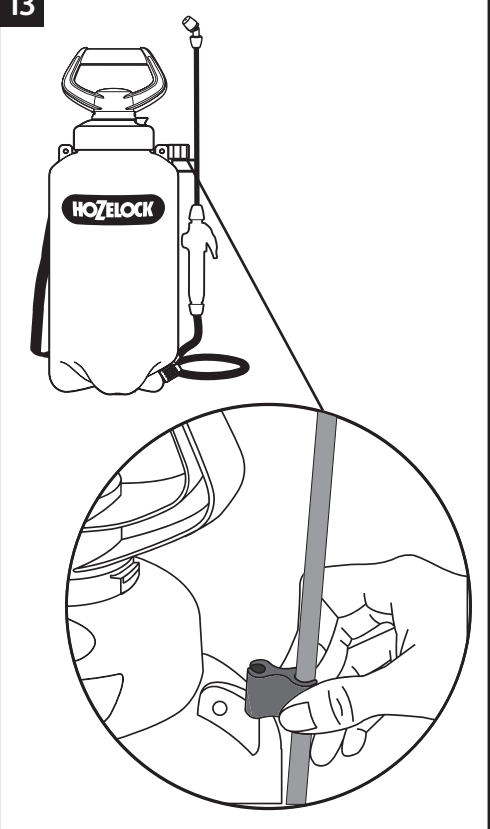
11



12

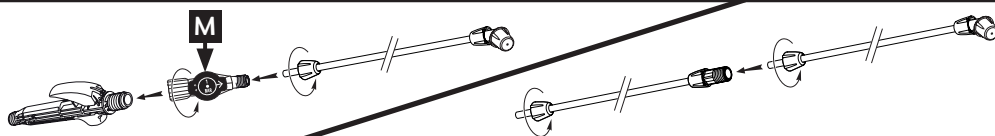
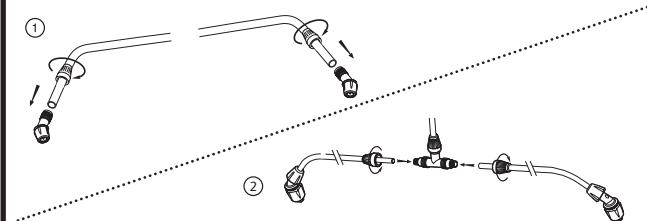
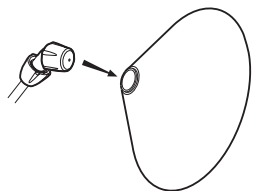


13

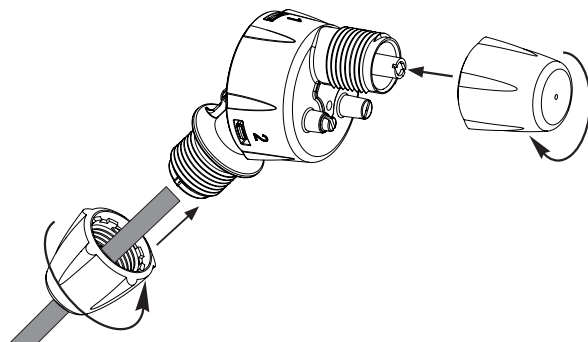


OPTIONAL EQUIPMENT (depending on the model) • EQUIPEMENT OPTIONNEL (selon modèle) • OPTIONALE AUSTRÜSTUNG (je nach Modell) • OPTIONELE UITRUSTINGEN (afhankelijk van het model) • EQUIPAMIENTOS OPCIONALES (según el modelo)
 TILLVALSUTRUSTNING (beroende på modell) • TILLEGGSUTSTYR (avhengig av modell) • VALINNAISET LISÄVARUSTEET (riippuu mallista) • EKSTRAUDSTYR (Ifølge modellen) • EQUIPAGGIAMENTI OPZIONALI (a seconda del modello)
 EQUIPAMENTOS OPCIONAIS (segundo o modelo) • WYPOSAZENIE OPCJONALNE (w zależności od modelu)
 ΠΡΟΑΙΡΕΤΙΚΟΣ ΕΞΟΠΛΙΣΜΟΣ (ανάλογα με το μοντέλο) • ДОПОЛНИТЕЛЬНОЕ ОБОРУДОВАНИЕ (в зависимости от модели)
 ECHIPAMENTE OPȚIONALE (în funcție de model)

14

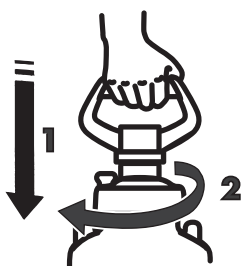


- Muti-Nozzle • Buse Multi-usage • Mehrstrahldüse • Multi-straal spuitstuk • Multi-boquilla
 • Multi-munstycke • Flerbruksdysse • Monikäyttöinen suutin • Multi-dyse • Multi-ugello • Multi-bocal
 • Viele dys • Ακροφύσιο πολλαπλών άκρων • Универсальное сопло • Duze multiple

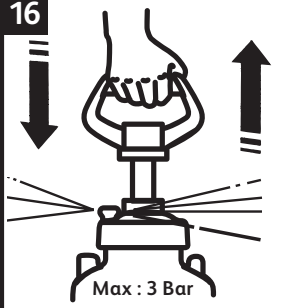


OPERATION • FONCTIONNEMENT • BETRIEB • WERKING • FUNCIONAMIENTO • FUNKTIONSSÄTT
 BRUKSANVISNING • KÄYTTÖ • DRIFT • FUNZIONAMENTO • FUNCIONAMENTO • FUNKCJONOWANIE
 ΛΕΙΤΟΥΡΓΙΑ • ЭКСПЛУАТАЦИЯ • FUNCȚIONARE

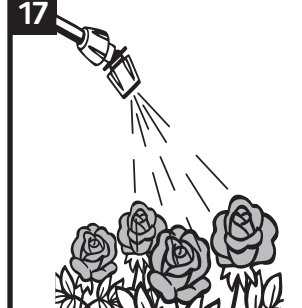
15



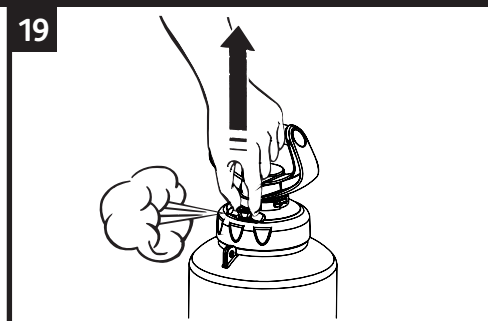
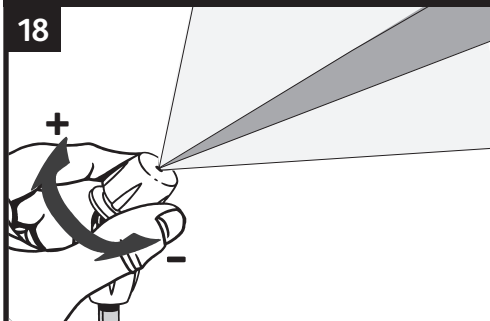
16



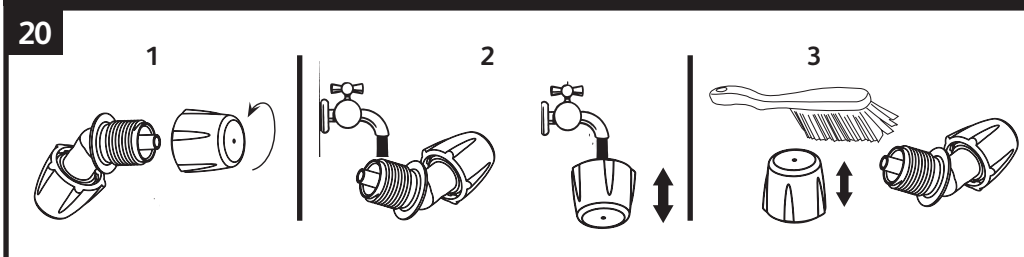
17



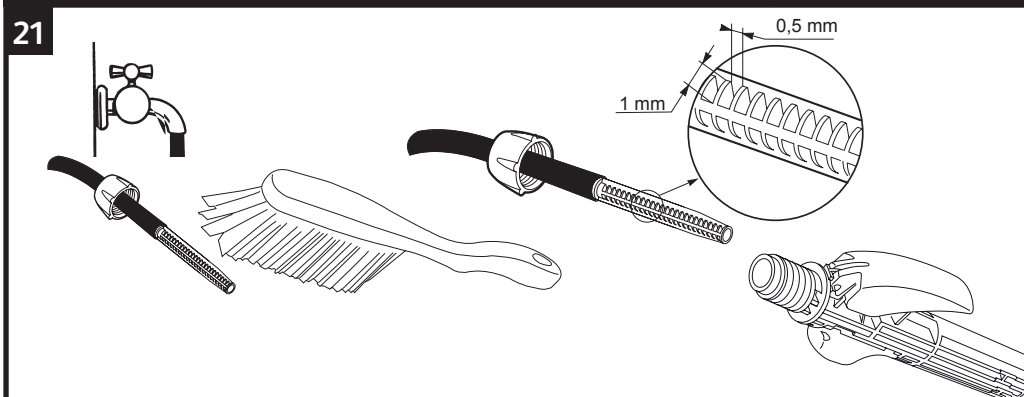
OPERATION • FONCTIONNEMENT • BETRIEB • WERKING • FUNCIONAMIENTO • FUNKTIONSSÄTT
BRUKSANVISNING • KÄYTTÖ • DRIFT • FUNZIONAMENTO • FUNCIONAMENTO • FUNKCJONOWANIE
ΛΕΙΤΟΥΡΓΙΑ • ЭКСПЛУАТАЦИЯ • FUNCȚIONARE



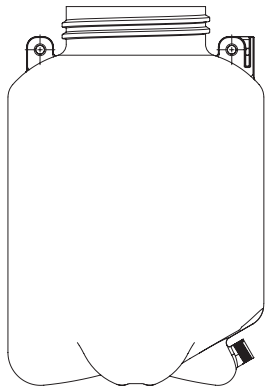
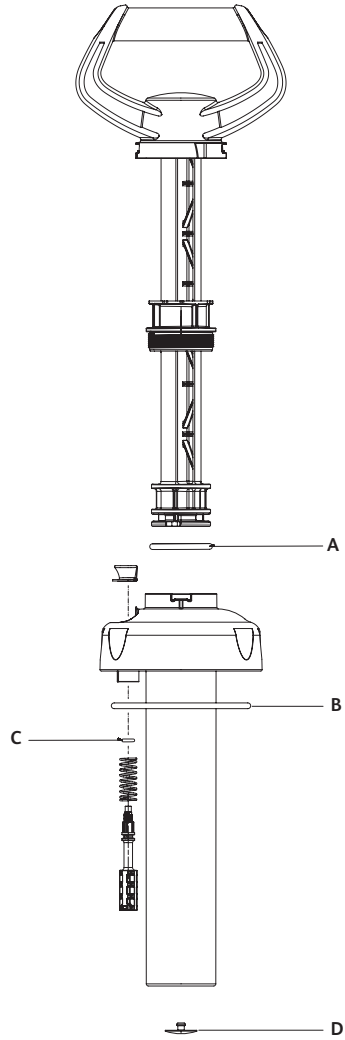
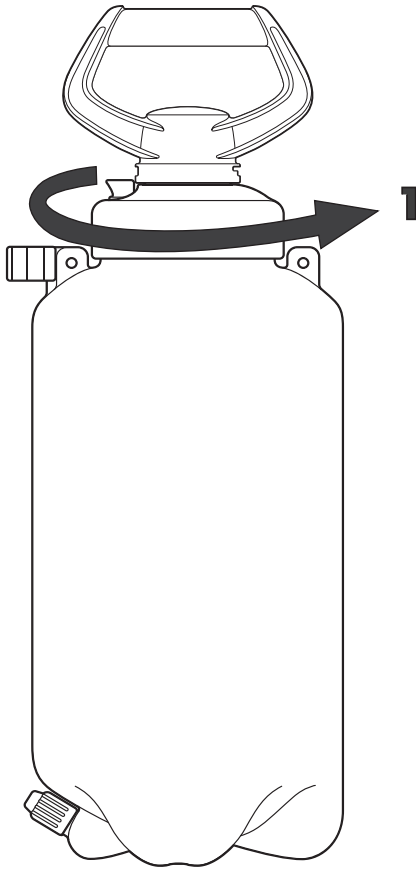
SERVICING • MAINTENANCE • WARTUNG • SERVICEBEURT • MANTENIMIENTO • SERVICE • VEDLIKEHOLD
HUOLTO • VEDLIGEHOELSE • MANUTENZIONE • MANUTENÇÃO • KONSERWACJA
ΣΥΝΤΗΡΗΣΗ • ТЕХНИЧЕСКОЕ ОБСЛУЖИВАНИЕ • MENTENANȚĂ



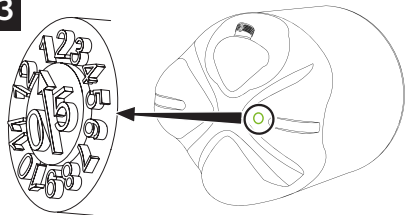
SERVICING • MAINTENANCE • WARTUNG • SERVICEBEURT • MANTENIMIENTO • SERVICE • VEDLIKEHOLD
HUOLTO • VEDLIGEHOELSE • MANUTENZIONE • MANUTENÇÃO • KONSERWACJA
ΣΥΝΤΗΡΗΣΗ • ТЕХНИЧЕСКОЕ ОБСЛУЖИВАНИЕ • MENTENANȚĂ



22



23



= 01/2005

The original manual was written and approved in French. All other languages are translations of the original. In the event of a conflict, imprecisions or discrepancies between the French and other languages, the French version shall prevail.



AREA OF APPLICATION

This apparatus is exclusively designed for the application of GARDEN agents (fungicides, herbicides, insecticides).

If in doubt, you MUST CONSULT THE MANUFACTURER.

IMPORTANT: This apparatus must not contain or be used to spray chlorine, solvents or acetone-based or acid-based products. Nor should it be used for the application of bleach, cleaning products, disinfectants or vinegar.

INSTRUCTIONS

- Install the hose onto the tank (**Fig. 11**).
- Install the hose onto the handle (**Fig. 11**).
- Install the clip onto the lance tube (**Fig. 11**).
- Install the two nuts onto the lance tube (**Fig. 11**).
- Install the nozzle onto the lance tube and the tube onto the handle (**Fig. 11**).
- Install the carrying strap (**Fig. 12**).
- Depending on the model, assemble optional equipment (**Fig. 14**).
- Store the lance after use (**Fig. 13**).

SAFETY RULES

- The sprayer must be used in accordance with local / national regulations.
- A sprayer is a pressure apparatus where there is always the risk of explosion with a projection of liquid if the instructions are not followed. If you have any doubts concerning its use, contact the manufacturer.
- It is equipped with a safety valve calibrated at the pressure recorded on the valve or on the reservoir, which limits pressure inside the reservoir. The following are recommended:
 - Never remove the valve from the apparatus.
 - Do not tamper with the operation of the valve.
 - For your own safety, the valve must remain in perfect working order.
 - Before each pressurising, check that the valve operates correctly: lift it up manually and then let go. It should return immediately to its original

position. If this is not the case, do not pressurise the apparatus.

- This apparatus is equipped with a switch on the handle, which enables the hose supply to be stopped as soon as the switch is no longer held down, to avoid any contamination of the operator and the environment in the event of an emergency.
- Never remove a part of the sprayer without having previously released the pressure.
- In the event of a breakdown, never carry out any repairs in the field. Depressurise the apparatus and work in a suitable location to avoid any contamination.
- Check that the apparatus operates correctly by checking that there are no leaks when there are several litres of water in the tank.
- The apparatus must not be used and stored in temperatures under 5°C or over 40°C (**Fig. 2 and 3**).
- The solution to be sprayed must not exceed 25°C (**Fig. 4**).
- Do not use explosive, acidic, and/or corrosive products in the sprayer (**Fig. 5 and 6**).
- Do not spray in the direction of flames or other heat sources.
- Only use in calm weather, ideally without wind, otherwise direct the spraying jet in the direction of the wind to avoid contaminating the operator.
- To avoid any drift, spray as close as possible to the zone to be treated, with no wind.
- Help protect the environment; only spray the surfaces to be treated.
- Wear protective clothing; protective gloves, protective goggles and a protective mask when handling the sprayer: filling, spraying, cleaning, product change, maintenance (**Fig. 7**).
- Keep other people and pets at a reasonable distance from the apparatus when spraying (**Fig. 8**).

- Do not smoke, eat or drink during use.
- This apparatus must not be used by individuals suffering from fatigue or illness, or by any person under the influence of alcohol, drugs or other medication.
- This sprayer must not be connected to any other equipment for safety reasons. It must only use used with HOZELOCK original parts or accessories. All of the sprayer's parts are specifically developed to ensure the correct operation and safety of the apparatus and the user.

OPERATION

- Follow the manufacturer's instructions for the treatment agents (dosage, application method, rinsing).

- Only prepare the quantity of agent that is strictly necessary and for one application.
- Dosing is easy due to the graduation scale on the reservoir. The transparent tank allows full visibility of the liquid level.
- Preparation of the solution to be sprayed:
 - a) Powder product (soluble or wettable): prepare the solution in a bucket before decanting it into the reservoir through the filling hole.
 - b) Liquid-based product (to be diluted in water): fill the tank with 1 to 2 litres of water, pour in the dose of liquid product, then fill up with the required quantity of water.

During use

- Manually screw the pump on the reservoir (**Fig. 15**).
- Pump to pressurise until the valve operates (until a blast of air is released) (**Fig. 16**).
- Pressurise the sprayer exclusively with its pump.
- Spray by pressing the handle switch (**Fig. 17**).
- Adjust the jet by turning the nozzle in both directions (**Fig. 18**).
- Depending on the model: The regulator provides a constant spraying pressure.

Therefore: Spraying takes place at the pressure indicated on the regulator, even if the sprayer is set to a higher pressure than this. Spraying stops when the sprayer pressure falls below the pressure indicated on the regulator. Pump again to pressurise the apparatus.

- A range of accessories are available to ensure treatments suitable for different uses (weed control booms, telescopic lance, weed control cover, etc.) (**Fig. 14**).

See the website www.hozelock.com

After use/ Cleaning

After each use:

- Eliminate any residual pressure that may remain in the apparatus operating the safety valve, by pushing it, or by spraying until there is no more pressure.
- Avoid risks of pollution by recovering any unused product and its packaging.
- Wash your hands and face with clean water after using the sprayer.
- Never store the sprayer pressurised.
- Never store the treatment agent inside the sprayer.
- Store the sprayer in a closed location out of the reach of children.
- Clean the handle filter and the suction filter in the reservoir if present in the sprayer. (**Fig. 21**)
- If you spray until there is just air in the spray: eliminate residual pressure remaining in the sprayer by operating the safety valve (**Fig. 19**)

or by spraying until there is no more pressure. The residual volume of liquid is less than 250 ml.

- Before storing and before any other use with another treatment agent, perform a rinsing operation, i.e. put 1 litre of water into the reservoir for dilution, mix thoroughly and operate the apparatus to rinse all of the apparatus' components.

This rinsing operation must be carried out without removing any of the accessories used during the treatment. The rinsing mixture must not be emptied into a sewer but must be sprayed outside on the land that has already been treated.

- Repeat the operation several times before the winter period.
- Rinsing for models equipped with 1 bar pressure regulator: add 1 litre of water to the sprayer, pressurise and spray into a suitable container until all the liquid has been evacuated and air comes out of the nozzle. To discharge the remaining pressure in the sprayer, use the safety pressure release valve (**Fig. 19**).
- If there is still some unused treatment product left, eliminate any residual pressure remaining in the apparatus by operating the safety valve (**Fig. 19**). Recover any possible excess of product and rinse the sprayer again as indicated above.
- Before using again, even if it is used again immediately, with the same treatment product or a different one, repeat the rinsing operation 3 consecutive times and check that the sprayer works properly (especially the safety valve).

MAINTENANCE / SERVICING

Periodically, on re-use after the winter period and several times per season, grease all the joints (with silicone grease for sprayers) and check that the sprayer is working properly (especially the valve).

- Clean the nozzle and the nozzle holder (**Fig. 20**)
- Clean the lance handle filter (**Fig. 21**)
- Disassemble the pump (**Fig. 22, A B C D**)
- Grease or replace the valve and the seals (**Fig. 22**)
- The sprayer is equipped with a reservoir which is resistant to UV radiation.

PROBLEMS / SOLUTIONS

Problems	Solutions
Little or no spraying	Make sure that all the connectors are fully tightened.
	Make sure that all the seals are lubricated and clean and are not damaged or worn. Replace them if necessary (contact the customer service department).
	Clean the nozzle and the filters.
The spraying is not straight	Clean the nozzle.
Leaks	Make sure that all the connectors are fully tightened.
	Make sure that all the seals are lubricated and clean and are not damaged or worn. Replace them if necessary (contact the customer service department).
Safety valve defective	DANGER: Do not pressurise the apparatus again. Contact the customer service department.

WARRANTY

Extended contractual warranty

We guarantee our products for 3 years. In the event of failure to present proof of the product date of purchase, the warranty is effective from the product date of manufacture (stated underneath the product) (Fig. 23).

The contractual warranty does not apply in the following cases:

- Normal wear parts: seals, valves, handle, nozzle, piping, carrying straps, rod and lever,
- The products that are used in violation of the technical recommendations,
- Products used improperly,
- Products not undergoing regular maintenance,
- Damage to products (impacts, drops, crushing, etc.) caused due to negligence, improper maintenance, improper or abnormal use of the product,

- The replacement of a component after losing a component of the sprayer.

Warranty activation

Contact your retailer to apply your warranty.

Please keep your proof of purchase (invoice or legible till receipt), as this will be required in the event of a claim under the Contractual Warranty.

A product under warranty that has been repaired or replaced, remains guaranteed for the remaining duration and under the original terms of the Contractual Warranty granted at the time of purchase.

All returned products become the property of HOZELOCK when replaced by a new product.

SPECIFIC CASES

Australia:

Our goods come with guarantees that cannot be excluded under the Australia Consumer Law. You are entitled to a replacement or refund for a major failure and for compensation for any other reasonably foreseeable loss or damage.

You are also entitled to have the goods repaired or replaced if the goods fail to be of acceptable quality and the failure does not amount to a major failure.

Hozelock Australia Pty Ltd

(ABN 83 154 891 648).

*Unit 42 / 74 Indian Drive,
Keysborough Victoria 3173*

Phone: 1300 275175

Email: australiamail@hozelock.com

New Zealand:

The manufacturer's warranty is in addition to the rights and remedies provided by the New Zealand Consumer Guarantees Act Distributed in New Zealand by:

Horticom (Company No. 463657)

651 Rosebank Road, Avondale, Auckland 1026

Phone: 09 828 4408

Email: service@horticom.co.nz

General Terms and Conditions:

Hozelock provides a manufacturer's warranty to the initial purchaser for each new product produced by Hozelock that is sold by an authorised Hozelock supplier in Australia.

This warranty provides such initial purchaser with a guarantee against faulty workmanship in manufacture and/or defective components for the warranty period from the date of purchase.

The benefits given by this manufacturer's warranty are in addition to other rights and remedies of the consumer under a law in relation to the goods to which this warranty relates.

Making a Claim:

If any product supplied by Hozelock is found to be defective due to faulty manufacture and/or defective components within the warranty period, Hozelock will repair or replace the product to the customer providing:

- proof of purchase is provided to Hozelock or its authorised supplier of the relevant goods
- the fault is not caused by misuse, neglect, adjustments and/or modification by the consumer
- the consumer presents the defective product at the premises of the authorised supplier of that relevant Hozelock product
- failure has not occurred through normal wear and tear

The product will be repaired or replaced at Hozelock's cost, however, any costs incurred to obtain warranty consideration or service is the consumer's responsibility, including shipping and handling, travel expense, lost time, or pick up and delivery.

EU DECLARATION OF CONFORMITY

In accordance with BS EN ISO/IEC 17050-1:2004 HOZELOCK EXEL declare that the following Hozelock Pressure Sprayers: STANDARD 10L (ref. 4232) Complies with the Essential Health and Safety Requirements of the following Directives: Machinery Directive 2006/42/EC and its amending directives including 2009/127/EC.

F NOTICE D'UTILISATION

Cette notice a été écrite et approuvée en français. Toutes les autres langues sont des traductions de l'original. En cas de conflit, doutes ou imprécisions entre le français et les autres langues, c'est le français qui prévaut.



DOMAINE D'APPLICATION

Cet appareil est exclusivement conçu pour l'application des produits de JARDIN (fongicides, herbicides, insecticides).

En cas de doute, il est IMPERATIF de consulter le CONSTRUCTEUR.

ATTENTION : Cet appareil ne doit pas contenir ou pulvériser les produits chlorés, solvantés, les produits à base acétone et base acide, l'eau de javel, les produits lessiviels, désinfectants et de vignaire.

MONTAGE

- Monter la tuyauterie sur le réservoir (**Fig. 11**).
- Monter la tuyauterie sur la poignée (**Fig. 11**).
- Monter le clip sur le tube de lance (**Fig. 11**).
- Monter les deux écrous sur le tube de lance (**Fig. 11**).
- Monter la buse sur le tube de lance et le tube sur la poignée (**Fig. 11**).
- Monter la bretelle de portage (**Fig. 12**)
- Selon le modèle, monter les équipements supplémentaires (**Fig. 14**).
- Rangement de la lance après utilisation (**Fig. 13**)

RÈGLES DE SÉCURITÉ

- Le pulvérisateur est à utiliser conformément aux réglementations locales / nationales. La notice d'utilisation fait office de formation.
- Un pulvérisateur est un appareil sous pression qui peut présenter des risques d'explosion, avec projection de liquide, si les consignes inscrites dans cette notice ne sont pas respectées. En cas de doute, consulter le constructeur.
- Ce pulvérisateur est équipé d'une soupape de sécurité tarée à la pression inscrite sur la soupape ou sur le réservoir, qui limite la pression à l'intérieur du réservoir.

Il est recommandé de :

- Ne jamais démonter la soupape de son appareil.
- Ne pas gêner le fonctionnement de la soupape.

- Pour votre sécurité, celle-ci doit rester en parfait état de fonctionnement.

- Avant chaque mise en pression, vérifier le bon fonctionnement de la soupape : soulevez-la manuellement, puis relâchez-la. Elle doit revenir instantanément à sa position initiale. Si ce n'est pas le cas, ne mettez pas l'appareil en pression.

- Cet appareil est équipé d'un interrupteur sur la poignée, qui permet de couper l'alimentation de lance dès que l'interrupteur n'est plus maintenu, afin d'éviter toute contamination de l'opérateur et de l'environnement en cas d'urgence.

- Ne jamais démonter un élément du pulvérisateur sans avoir préalablement ôté la pression.

- En cas de panne, ne pas effectuer de dépannage en plein champ. Dépressuriser l'appareil et intervenir dans un endroit adapté pour éviter toute contamination.

- S'assurer du bon fonctionnement de l'appareil en vérifiant les étanchéités avec quelques litres d'eau dans le réservoir.

- L'appareil ne doit pas être utilisé et stocké à des températures inférieures à 5°C et supérieures à 40°C (Fig. 2 et 3).

- La solution à pulvériser ne doit pas excéder 25°C (Fig. 4).

- Ne pas utiliser de produits explosifs, acides et/ou corrosifs dans le pulvérisateur (Fig. 5 et 6).

- Ne pas pulvériser en direction de flammes ou de source de chaleur.

- Ne traiter que par temps calme idéalement (sans vent) et sinon en dirigeant le jet de pulvérisation dans le sens du vent pour éviter de contaminer l'opérateur.

- Pour éviter la dérive, pulvériser le plus près possible de la zone à traiter et sans vent.

- Préserver l'environnement, ne pulvériser que les surfaces à traiter.

- Porter des vêtements de protection, des gants de protection, des lunettes de protection et un masque de protection pour toute manipulation du pulvérisateur : remplissage, pulvérisation, nettoyage, changement de produit, entretien (Fig. 7).

- Maintenir les tierces personnes et animaux domestiques à distance raisonnable pendant la pulvérisation (Fig. 8).

- Ne pas fumer, boire ou manger pendant l'utilisation.

- Cet appareil ne doit pas être utilisé en cas de fatigue, maladie, sous l'emprise de l'alcool, drogue ou autre médicament.

- Ce pulvérisateur ne doit pas être raccordé à un autre équipement pour des raisons de sécurité. Il ne doit être utilisé qu'avec les pièces d'origine ou les accessoires HOZELOCK.

Toutes les pièces du pulvérisateur participent au bon fonctionnement et à la sécurité de l'appareil et de l'utilisateur.

FONCTIONNEMENT

- Respecter les instructions du fabricant de produits de traitement (dosage, mode d'application, rinçage).

- Ne préparer que la quantité de produit strictement nécessaire, et pour une seule application.

- Le dosage est aisé du fait de la graduation apparente sur le réservoir. Niveau de liquide dans la cuve visible par transparence.

- Préparation de la solution à pulvériser :

a) Produit en poudre (soluble ou mouillable) : préparer dans un seau avant de la transvaser dans le réservoir par l'orifice de remplissage.

b) Produit à base liquide (à diluer dans l'eau) : mettre 1 à 2 litres d'eau dans le réservoir, verser la dose de produit liquide, puis compléter en eau à la quantité désirée.

En utilisation

- Visser manuellement la pompe sur le réservoir (Fig. 15).

- Pomper pour mettre en pression jusqu'au déclenchement de la soupape (dès qu'un souffle d'air est expulsé) (Fig. 16).

- Faire la mise en pression du pulvérisateur exclusivement par la pompe qui l'équipe.

- Pulvériser en appuyant sur l'interrupteur de poignée (Fig. 17).

- Procéder au réglage du jet en tournant la buse dans les deux sens (Fig. 18).

- Selon modèle : Le régulateur assure une pression constante de pulvérisation. Ainsi, la pulvérisation s'effectue à la pression indiquée sur le régulateur, même si le pulvérisateur est à une pression supérieure à celle-ci. La pulvérisation s'arrête dès lors que la pression du pulvérisateur est inférieure à celle indiquée sur le régulateur. Pomper à nouveau pour mettre l'appareil en pression.

- Une gamme d'accessoires est disponible pour assurer un traitement adapté aux différentes utilisations (rampe de désherbage, lance télescopique, cache de désherbage...) (Fig. 14).
Voir le site internet www.hozelock.com

Après utilisation / Nettoyage

Après chaque utilisation :

- Eliminer la pression résiduelle pouvant subsister dans l'appareil en actionnant la soupape de sécurité, en la tirant ou en la poussant selon le cas, ou bien en pulvérisant jusqu'à ce qu'il n'y ait plus de pression.

- Eviter les risques de pollution en récupérant le produit non utilisé ainsi que son emballage.
- Se laver les mains et le visage à l'eau claire, après utilisation du pulvérisateur.
- Ne jamais ranger le pulvérisateur en pression.
- Ne jamais conserver du produit de traitement à l'intérieur du pulvérisateur.
- Ranger le pulvérisateur dans un endroit fermé, hors de la portée des enfants.
- Nettoyer le filtre de poignée et le filtre d'aspiration dans le réservoir si le pulvérisateur en est équipé. (Fig. 21)
- Si vous pulvérisiez jusqu'à l'apparition d'air dans le jet : éliminez la pression résiduelle pouvant subsister dans le pulvérisateur en actionnant la soupape de sécurité (Fig. 19) ou bien pulvérisiez jusqu'à ce qu'il n'y ait plus de pression. Le volume résiduel de liquide est inférieur à 250 ml.
- Avant rangement et avant toute autre utilisation avec un autre produit de traitement, effectuer une opération de rinçage, c'est à dire ajouter 1 litre d'eau pour diluer dans le réservoir, bien mélanger et faire fonctionner pour rincer l'ensemble des composants de l'appareil. Cette opération de rinçage doit s'effectuer sans démonter les accessoires utilisés lors du traitement. Ce mélange de rinçage ne doit en aucun cas être jeté dans les égouts, mais être pulvérisé à l'extérieur sur le terrain déjà traité.
- Rinçage avec pulvérisateur équipé d'un régulateur de pression : Ajouter un litre d'eau dans le pulvérisateur et faire fonctionner jusqu'à l'apparition d'air dans le jet. Pour évacuer la pression restante dans le pulvérisateur, actionner la soupape de sécurité (Fig. 19)
- Répéter l'opération plusieurs fois avant hivernage.
- S'il vous reste encore du produit de traitement non utilisé, éliminez la pression résiduelle pouvant subsister dans l'appareil en actionnant la soupape de sécurité (Fig. 19). Récupérer l'éventuel excédent de produit et rincer à nouveau le pulvérisateur comme indiqué ci-dessus.
- Avant toute nouvelle utilisation, même immédiate, avec une solution à pulvériser différente, répéter 3 fois de suite l'opération de rinçage.
- Avant toute nouvelle utilisation, même immédiate, avec le même produit de traitement ou un autre produit de traitement, vérifier le bon fonctionnement du pulvérisateur (en particulier la soupape)

MAINTENANCE / ENTRETIEN

Périodiquement, au redémarrage après hivernage et plusieurs fois par saison, graisser tous les joints (avec une graisse silicone pour

- pulvérisateur), et vérifier le bon fonctionnement du pulvérisateur (en particulier la soupape).
- Nettoyer la buse et le porte buse (Fig. 20)
- Nettoyer le filtre de lance (Fig. 21)
- Démontez la pompe (Fig. 22)
- Graisser ou remplacer le clapet et les joints (Fig. 22 A, B, C, D).
- Le pulvérisateur est équipé d'un réservoir résistant au rayonnement UV.

PROBLEMES / SOLUTIONS

Problèmes	Solutions
Faible ou pas de pulvérisation	S'assurer que tous les raccords sont bien serrés.
	S'assurer que tous les joints sont lubrifiés et propres, et ne sont pas endommagés ou usés. Les remplacer si nécessaire (contacter service consommateur). Nettoyer la buse et les filtres.
La pulvérisation n'est pas droite	Nettoyer la buse.
Fuites	S'assurer que tous les raccords sont bien serrés.
	S'assurer que tous les joints sont lubrifiés et propres, et ne sont pas endommagés ou usés. Les remplacer si nécessaire (contacter service consommateur).
Soupape de sécurité défectueuse	DANGER : Ne plus mettre l'appareil sous pression. Contacter le service consommateur.

GARANTIE

Extension de la garantie contractuelle

Nous garantissons nos produits pendant une durée de 3 ans. À défaut de preuve de la date d'achat des produits, la garantie court à compter de la date de fabrication du produit (reprise sous le produit) (Fig. 23).

La garantie contractuelle ne s'applique pas dans les cas suivants :

- Les pièces d'usure normale : joints, clapets, poignée, buse, tuyauterie, sangles de portage, bielle et levier,
- Les produits dont il est fait usage en infraction avec les recommandations techniques
- Les produits dont il est fait un usage abusif,

- Les produits n'ayant pas fait l'objet d'un entretien régulier,
- Les dégradations du produit (chocs, chutes, écrasement, etc...) provenant de négligence, de défaut d'entretien, d'utilisation défectueuse ou anormale du produit,
- Le remplacement d'un composant, suite à une perte de composant du pulvérisateur.

Fonctionnement de la garantie

Contactez votre revendeur pour faire valoir votre garantie.

Nous vous demandons de conserver votre preuve d'achat (facture ou ticket de caisse lisible), qui vous sera demandé en cas de mise en œuvre de la garantie contractuelle.

Un produit sous garantie qui a été réparé ou remplacé, reste garanti pour la durée restante et aux conditions initiales de la garantie contractuelle octroyée lors de l'achat.

Tout produit retourné devient propriété d'HOZELOCK quand il est remplacé par un produit neuf.

DECLARATION CONFORMITE EU

En accord avec BS EN ISO/IEC 17050-1:2004 HOZELOCK déclare que le pulvérisateur Hozelock suivant : STANDARD 10L (référence 4232) est conforme aux exigences essentielles de santé et sécurité des Directives suivantes : Directive Machine 2006/42/EC et ses directives modificatives, y compris la 2009/127/EC.

D BEDIENUNGSANLEITUNG

Die Original-Betriebsanleitung wurde auf Französisch geschrieben und genehmigt. Alle anderen Sprachen sind Übersetzungen des Originals. Im Falle einer Streitigkeit, von Ungenauigkeiten oder Unterschieden zwischen dem Französischen und anderen Sprachen ist die französische Version maßgeblich.

ANWENDUNGSBEREICH

Dieses Gerät ist ausschließlich für die Anwendung von Mitteln für den GARTEN (Fungizide, Herbizide, Insektizide) konzipiert.

Im Zweifelsfall muss mit dem Hersteller Rücksprache genommen werden.

ACHTUNG: Dieses Gerät darf nicht zum Füllen oder Sprühen von chlor- und lösungsmittelhaltigen Produkten, Produkten auf Aceton- und Säurebasis, Chlorbleiche, Waschmitteln oder Desinfektionsmitteln eingesetzt werden.

MONTAGE

- Die Schlauchleitung auf dem Behälter befestigen (**Abb. 11**).
- Die Schlauchleitung am Griff befestigen (**Abb. 11**).
- Den Clip am Spritzrohr befestigen (**Abb. 11**).
- Die beiden Muttern auf dem Spritzrohr festmachen (**Abb. 11**).

Die Düse auf dem Spritzrohr und den Schlauch am Griff befestigen (**Abb. 11**).

- Den mitgelieferten Tragegurt anbringen (**Abb. 12**).
- Montieren Sie je nach Modell die wahlweise Ausstattung (**Abb. 14**).
- Verstauen des Spritzrohrs nach Verwendung (**Abb. 13**).

SICHERHEITSVORSCHRIFTEN

Das Sprühgerät muss gemäß den lokalen / nationalen Vorschriften verwendet werden. Die Bedienungsanleitung dient als Schulung.

- Ein Sprühgerät ist ein Gerät, das unter Druck steht. Im Falle der Nichtbeachtung der in dieser Anleitung enthaltenen Vorschriften besteht die Gefahr einer Explosion, bei der Flüssigkeit herausgeschleudert werden kann. Im Zweifelsfall mit dem Hersteller Rücksprache nehmen.

- Dieses Sprühgerät ist mit einem Sicherheitsventil ausgestattet, das den Innendruck des Behälters begrenzt. Es ist auf den Druckwert geeicht, der auf dem Ventil oder dem Behälter verzeichnet ist.

Es wird empfohlen :

- das Ventil nicht aus dem Gerät auszubauen,
- die Funktion des Ventils nicht zu beeinträchtigen.
- Zur Sicherheit des Bedieners muss dieses stets in einwandfreiem Betriebszustand gehalten werden.
- Bevor das Gerät unter Druck gesetzt wird, muss die Funktionstüchtigkeit des Ventils geprüft werden: Ventil von Hand anheben und wieder loslassen. Es muss unverzüglich in seine Ausgangsposition zurückkehren. Wenn dies nicht der Fall ist, darf das Gerät nicht unter Druck gesetzt werden.
- Dieses Gerät ist am Griff mit einem Schalter ausgestattet, der es erlaubt, die Speisung des Spritzrohrs abzuschalten, sobald der Schalter nicht mehr betätigt wird, damit jede Verschmutzung des Bedieners und der Umwelt im Notfall verhindert wird.
- Komponenten des Sprühgeräts nur ausbauen, wenn das Gerät nicht mehr unter Druck steht.

- Im Fall einer Störung darf die Störungsbehebung nicht im Freien durchgeführt werden. Den Druck im Gerät ablassen und den Eingriff an einem geeigneten Ort vornehmen, um jede Verschmutzung zu vermeiden.

- Die Funktionstüchtigkeit des Geräts sicherstellen, indem der Behälter mit einigen Litern Wasser gefüllt und auf diese Weise die Dichtheit geprüft wird.

- Das Gerät darf nicht bei Temperaturen unter 5°C und über 40°C eingesetzt werden (**Abb. 2 und 3**).

- Die zu sprühende Lösung darf eine Temperatur von 25°C nicht überschreiten (**Abb. 4**).

- Keine explosiven, säurehaltigen und/oder korrodierenden Produkte im Sprühgerät verwenden (**Abb. 5 und 6**).

- Nicht auf Flammen oder Wärmequellen sprühen.

- Die Behandlung nur bei ruhigem Wetter (Windstille) durchführen, ansonsten muss der Sprühstrahl in Windrichtung gerichtet werden, damit der Bediener nicht besprüht wird.

- Um eine Abdrift zu vermeiden, muss so nah wie möglich an der zu behandelnden Stelle bei Windstille gesprüht werden.

- Die Umwelt schützen - nur die zu behandelnden Flächen sprühen.

- Beim Umgang mit dem Sprühgerät (Befüllen, Sprühen, Reinigen, Produkt wechseln, Wartung) sind Schutzkleidung, Handschuhe, Schutzbrille und Schutzmaske zu tragen (**Abb. 7**).

- In angemessenem Abstand zu weiteren Personen und Haustieren sprühen (**Abb. 8**).

- Beim Gebrauch nicht rauchen, trinken oder essen.

- Dieses Gerät darf nicht bei Müdigkeit, Krankheit oder unter Alkohol-, Drogen- bzw. Medikamenteneinfluss eingesetzt werden.

- Aus Sicherheitsgründen darf dieses Sprühgerät nicht an ein anderes Gerät angeschlossen werden. Es darf nur mit Originalteilen oder Zubehör von HOZELOCK verwendet werden. Alle Teile des Sprühgerätes tragen zum einwandfreien Betrieb und zur Sicherheit des Gerätes und des Benutzers bei.

BETRIEB

- Die Herstellervorschriften der Behandlungsprodukte beachten (Dosierung, Anwendungsweise, Spülvorgang).

- Nur die absolut notwendige Menge des Produkts für eine einzige Anwendung ansetzen.

- Diese Dosierung wird durch die auf dem Behälter sichtbare Skalierung erleichtert. Flüssigkeitsstand im Tank sichtbar aufgrund der Transparenz.

- Ansetzen der Sprühlösung:

a) Pulverprodukt (löslich oder benetzbar): Die Lösung in einem Eimer ansetzen, bevor sie über die Einfüllöffnung in den Behälter gefüllt wird.

b) Flüssigprodukt (zum Auflösen in Wasser): Den Behälter mit 1 bis 2 Litern Wasser füllen, die Dosis des Flüssigproduktes hinzugeben und mit der gewünschten Menge Wasser auffüllen.

Anwendung

- Je nach Gerät den Füllstopfen oder die Pumpe manuell auf dem Behälter aufschrauben (**Abb. 15**).

- Um das Gerät unter Druck zu setzen, so lange pumpen, bis das Ventil anspricht (sobald ein Luftstrom ausgestoßen wird) (**Abb. 16**).

- Das Sprühgerät ausschließlich über die Pumpe unter Druck setzen, mit der das Gerät ausgestattet ist.

- Zum Sprühen den Griffschalter betätigen (**Abb. 17**).

- Den Strahl durch Drehen der Düse in beide Richtungen einstellen (**Abb. 18**).

- WAHLWEISE AUSSTATTUNG (abhängig vom Modell): Der 1-bar-Druckregler liefert einen konstanten Sprühdruk. Deshalb erfolgt das Sprühen bei konstantem Druck, auch wenn der Sprüher auf einen höheren Druck als diesen eingestellt ist. Das Sprühen hört auf, wenn der Sprüherdruck unter den Solldruck fällt. (Vorsicht: Es herrscht noch Restdruck im Behälter.) Erneut pumpen, um das Gerät unter Druck zu setzen.

- Eine Reihe von Zubehöerteilen ist erhältlich, um eine an die verschiedenen Anwendungen angepasste Behandlung zu gewährleisten (Jättrampe, ausziehbares Spritzrohr, Jätgeräteabdeckung...) (**Abb. 14**).
Siehe Website www.hozelock.com

Nach dem Gebrauch / Reinigung

Nach jedem Gebrauch:

- Den möglichen Restdruck im Gerät beseitigen, indem das Sicherheitsventil durch entsprechendes Ziehen oder Drücken des Ventils betätigt wird, oder so lange gesprüht wird, bis kein Druck mehr vorhanden ist.

- Durch Sammeln der Restprodukte und deren Verpackungen mögliche Verschmutzungen vermeiden.

- Nach der Verwendung des Sprühgeräts Hände und Gesicht mit klarem Wasser waschen.

- Das Sprühgerät nicht wegräumen, so lange es unter Druck steht.

- Kein Behandlungsprodukt im Sprühgerät übrig lassen.

- Das Sprühgerät an einem geschlossenen Ort und außerhalb der Reichweite von Kindern aufbewahren.

- Den Griffilter und den Ansaugfilter im Behälter reinigen, falls das Sprühgerät damit ausgestattet ist (**Fig. 21**).

- Sollte beim Sprühen Luft in den Strahl gelangen: Den möglichen Restdruck durch Betätigen des Sicherheitsventils aus dem Sprühgerät ablassen (**Abb. 19**) oder so lange sprühen, bis kein Druck mehr vorhanden ist. Die restliche Flüssigkeitsmenge ist geringer als 250 ml.

- Vor dem Aufbewahren und vor der Verwendung eines anderen Behandlungsprodukts Gerät spülen, d.h. zum Verdünnen 1 Liter Wasser in den Behälter füllen, gut mischen und in Betrieb nehmen, um sämtliche Komponenten des Geräts zu spülen. Dieser Vorgang muss durchgeführt werden, ohne das bei der Behandlung verwendete Zubehör vorher abzumontieren. Diese Spülmischung darf auf keinen Fall in die Kanalisation geschüttet werden, sondern muss im Freien auf dem bereits behandelten Gelände versprüht werden.

- Vor dem Überwintern Vorgang mehrmals wiederholen.

- Spülen bei einem Sprüher mit montiertem Druckregler: Füllen Sie 1 Liter Wasser in den Sprüher, setzen Sie ihn unter Druck und sprühen Sie in einen geeigneten Behälter, bis die gesamte Flüssigkeit entleert ist und Luft aus der Düse kommt. Zum Ablassen des Restdrucks im Sprüher verwenden Sie das Sicherheits-Druckentlastungsventil (**Abb. 19**).

- Spülvorgang vor jedem, selbst unmittelbaren, erneuten Einsatz des Geräts unter Verwendung einer anderen Sprühlösung 3 Mal nacheinander durchführen.

- Vor einem selbst unmittelbaren erneuten Einsatz des Geräts unter Verwendung des gleichen oder eines anderen Produkts die Funktionstüchtigkeit des Geräts (insbesondere des Ventils) prüfen.

WARTUNG / PFLEGE

Sämtliche Dichtungen regelmäßig, nach dem Überwintern sowie mehrmals pro Saison, fetten (mit Silikonfett für Sprühgeräte) und die Funktionstüchtigkeit des Sprühgeräts (insbesondere des Ventils) prüfen.

- Düse und Düsenhalter reinigen (**Abb. 20**)

- Den Spritzrohr-Filter reinigen (**Abb. 21**)

- Pumpe abmontieren (**Abb. 22**)

- Ventil und Dichtungen schmieren oder austauschen (**Abb. 22 A, B, C, D**)

- Das Sprühgerät ist mit einem UV-beständigen Behälter ausgestattet.

PROBLEME / LÖSUNGEN

Probleme	Lösungen
Schwacher oder nicht vorhandener Sprühstrahl	Sicherstellen, dass sämtliche Anschlüsse fest angezogen sind.
	Sicherstellen, dass sämtliche Dichtungen geschmiert und sauber sind und keine Schäden oder Abnutzungen aufweisen. Gegebenenfalls austauschen (Kundendienst kontaktieren).
	Düse und Filter reinigen.
Der Sprühstrahl ist nicht gerade	Düse reinigen.
Tropfen	Sicherstellen, dass sämtliche Anschlüsse fest angezogen sind.
	Sicherstellen, dass sämtliche Dichtungen geschmiert und sauber sind und keine Schäden oder Abnutzungen aufweisen. Gegebenenfalls austauschen (Kundendienst kontaktieren).
Defektes Sicherheitsventil	GEFAHR: Das Gerät nicht mehr unter Druck setzen. Kundendienst kontaktieren.

GARANTIE

Erweiterung der Vertragsgarantie

Auf unsere Produkte geben wir 3 Jahre Garantie. Bei fehlendem Nachweis des Kaufdatums läuft die Garantie ab dem Herstellungsdatum des Produkts (siehe Angabe auf der Produktunterseite) (**Abb. 23**).

In den folgenden Fällen kommt die vertragliche Gewährleistung nicht zum Tragen:

- Normale Verschleißteile: Dichtungen, Ventile, Griff, Düse, Leitungen, Tragegurte, Schubstange und Hebel,

- Im Widerspruch zu den technischen Empfehlungen genutzte Produkte,

- Missbräuchlich genutzte Produkte,

- Produkte, die nicht regelmäßig gewartet werden,

- Beschädigte Produkte (durch Stöße, Herunterfallen, Quetschen, etc.) aufgrund von Nachlässigkeit, mangelnder Wartung, fehlerhaftem oder unsachgemäßem Gebrauch des Produkts,

- Der Austausch von Komponenten nach Verlust einer Komponente des Sprüheräts.

Nutzung der Garantie

Wenden Sie sich an Ihren Händler, um Ihre Garantie in Anspruch zu nehmen.

Bitte bewahren Sie Ihren Kaufbeleg auf (Rechnung bzw. lesbaren Kassenbon). Er wird zur Geltendmachung der Vertragsgarantie von Ihnen verlangt werden.

Ein unter Garantie stehendes Produkt, das bereits repariert oder ausgetauscht wurde, behält seinen Garantieanspruch für die restliche Garantielaufzeit und zu den ursprünglichen Bedingungen der beim Kauf ausgestellten Vertragsgarantie.

Produkte, die zum Austausch durch ein neues Produkt zurückgesandt werden, werden Eigentum von HOZELOCK.

EU-KONFORMITÄTSERKLÄRUNG

Gemäß DIN EN ISO/IEC 17050-1:2004 erklärt HOZELOCK, dass die folgenden Hozelock-Drucksprüher: STANDARD 10L (Best.-Nr. 4232) die folgenden grundlegenden Sicherheits- und Gesundheitsschutzanforderungen erfüllt: die Maschinenrichtlinie 2006/42/EG und die Richtlinie 2009/127/EG.

NL GEBRUIKSAANWIJZING

Deze handleiding is opgesteld in het Frans en goedgekeurd. Alle andere talen zijn vertalingen van het origineel. In het geval van conflicten, twijfels of onnauwkeurigheden tussen het Frans en andere talen, is het Frans bindend.

TOEPASSINGSGBIED

Dit toestel is ontworpen voor de toepassing van producten VOOR DE TUIN (fungiciden, herbiciden, insecticiden).

Neem in geval van twijfel **ALTIJD** contact op met de **FABRIKANT**.

LET OP: Dit apparaat is niet geschikt om gechloreerde producten, oplosmiddelen op basis van aceton, zuren, bleekmiddel en zijn derivaten, reinigings- en desinfectiemiddelen te bevatten of te verstuiwen.

MONTAGE

- Monteer de leiding op de tank (**Fig. 11**).

- Monteer de leiding op het handvat (**Fig. 11**).

- Monteer de clip op de buis van de spuitmond (**Fig. 11**).

- Monteer de twee moeren op de buis van de spuitmond.

- Monteer het spuitstuk op de sproeilans en de buis op het handvat (**Fig. 11**).

- Monteer de draagband (**Fig. 12**).

- Afhankelijk van het model kunnen de optionele voorzieningen gemonteerd worden (**Fig. 14**).

- Opslag van de sproeilans na gebruik (**fig. 13**)

VEILIGHEIDSVORSCHRIFTEN

- De drukspuit moet gebruikt worden volgens de plaatselijke / nationale regelgevingen. De gebruiksaanwijzing dient als cursusboek.

Een drukspuit is een apparaat onder druk dat explosiegevaar kan meebrengen evenals vloeistofspatten als de in deze handleiding opgenomen instructies niet worden opgevolgd. Neem in geval van twijfel contact op met de fabrikant.

- Deze drukspuit is voorzien van een veiligheidsklep om de druk op de klep of het reservoir te beperken tot aangegeven druk.

Het wordt aanbevolen om :

- Nooit de klep van het apparaat te demonteren.

- De werking van de klep niet te verhinderen.

- Voor uw veiligheid moet de klep in goede staat van werking worden gehouden.

- Voor elke onderdrukstelling de werking van de klep controleren: hef deze handmatig op, en laat ze dan weer los. De klep moet onmiddellijk naar de uitgangspositie terugkeren. Is dit niet het geval, breng het apparaat dan niet onder druk.

- Dit apparaat is uitgerust met een schakelaar op het handvat, waarmee de stroomvoorziening van de sproeilans onderbroken kan worden zodra men niet meer op de schakelaar drukt, zodat in noodgevallen besmetting van de gebruiker en de omgeving vermeden wordt.

- Demonteer nooit een element van de spuit, zonder tevoren de druk te hebben afgelaten.

- Verhelp in geval van een storing deze storing nooit midden op het veld. Haal de druk van het apparaat en voer de werkzaamheden uit op een hiervoor geschikte plek, om iedere besmetting te vermijden.

- Controleer de goede werking van het apparaat door de waterdichtheid te testen met enkele liters water in het reservoir.

- Het apparaat mag niet worden gebruikt en opgeslagen bij temperaturen onder 5°C en boven 40°C (Fig. 2 en 3).
- De te verstuiven oplossing mag niet warmer zijn dan 25°C (Fig. 4).
- Gebruik geen explosieve producten, zuren en / of corrosieve middelen in de drukspuit (Fig. 5 en 6).
- Verstuif niet in de richting van vlammen of een warmtebron.
- Spuit bij voorkeur alleen bij kalm weer (windstil) of richt anders de straal met de wind mee om besmetting van de gebruiker te vermijden.
- Verstuif, om afrijving te vermijden, zo dicht mogelijk bij de te bespuiten zone en wanneer het windstil is.
- Bescherm het milieu, spuit alleen op de te behandelen oppervlakken.
- Draag beschermende kleding, veiligheidshandschoenen, een veiligheidsbril en een beschermend masker voor alle handelingen aan de verstuiver: vullen, verstuiven, reinigen, van product veranderen, onderhoud (Fig. 7).
- Houd derden en huisdieren op een redelijke afstand tijdens het verstuiven (Fig. 8).
- Rook, drink of eet niet tijdens gebruik.
- Dit product mag niet gebruikt worden in geval van vermoeidheid, ziekte, onder invloed van alcohol, drugs of andere medicatie.
- Om veiligheidsredenen mag deze verstuiver niet aangesloten worden op een andere voorziening. Deze mag uitsluitend gebruikt worden met de originele onderdelen en accessoires van HOZELOCK. Alle onderdelen van de verstuiver werken mee aan de goede werking en de veiligheid van het apparaat en van de gebruiker.

WERKING

- Houd u aan de instructies van de fabrikant van de behandelproducten (dosering, wijze van toepassing, spoelen).
- Maak niet meer klaar dan strikt noodzakelijk is en slechts voor één enkele toepassing.
- Het doseren gaat gemakkelijk dankzij de zichtbare maatverdeling op het reservoir. Vloeistofpeil is goed zichtbaar in de doorzichtige tank.
- Het klaarmaken van de te verstuiven oplossing:
 - a) Producten in poedervorm (oplosbaar of water dispergeerbaar poeder): maak de oplossing klaar in een emmer alvorens deze over te gieten in het reservoir, door de vulopening.
 - b) Product op vloeibare basis (op te lossen in water): giet 1 tot 2 liter water in het reservoir, giet de dosis van het vloeibare product erbij, vul dit aan met water in de gewenste hoeveelheid

Bij gebruik

- Schroef handmatig pomp op de tank (Fig. 15).
- Pomp op tot het overdrukventiel zich activeert (er wordt lucht uit geblazen) (Fig. 16).
- Breng de spuit uitsluitend onder druk met de bijbehorende pomp.
- Verstuif door het indrukken van de schakelaar op het handvat (Fig. 17).
- Stel de straal af door het spuitstuk in beide richtingen te draaien (Fig. 18).
- Afhankelijk van het model: De regelaar zorgt voor een constante spuitdruk. Het spuiten wordt zo uitgevoerd op de op de regelaar aangegeven druk, zelfs als de drukspuit op een hogere druk staat. Het spuiten stopt zodra de spuitdruk lager is dan die op de regelaar is aangegeven. Pomp opnieuw om de druk van het apparaat te verhogen.
- Er is een heel assortiment accessoires verkrijgbaar voor de juiste behandeling, aangepast aan diverse toepassingen (spuitboom, uitschuifbare sproeiers, sproeikap...) (Fig. 14).
Zie de website www.hozelock.com

Na gebruik / Reiniging

Na elk gebruik :

- Elimineer de overblijvende druk kan door bediening van de veiligheidsklep, door er aan te trekken of er op te duwen volgens het geval, of door te spuiten tot er geen druk meer achterblijft.
 - Zorg dat het niet gebruikte product en de verpakking het milieu niet kunnen vervuilen.
 - Was uw handen en gezicht met schoon water na het gebruik van de drukspuit.
 - Berg nooit een spuit op die nog onder druk staat.
 - Bewaar nooit een actief product in de spuit.
 - Bewaar de drukspuit in een beschutte omgeving, buiten het bereik van kinderen.
 - Reinig de handgreepfilter en de aanzuigfilter in het reservoir indien deze daarmee is uitgerust (Fig. 21).
 - Als u verstuift totdat er lucht in de straal verschijnt: laat de eventuele restdruk uit het apparaat ontsnappen door de veiligheidsklep (Fig. 19) in werking te stellen of te spuiten tot er geen druk meer is. Het restvolume van de vloeistof bedraagt minder dan 250 ml.
 - Vóór opslag en voordat de drukspuit met een ander product wordt gebruikt, moet deze worden gespoeld, dat wil zeggen voeg 1 liter water in het reservoir toe om te verdunnen, goed mengen en deze laten werken voor het spoelen van alle componenten van het apparaat.
- Het spoelen moet gebeuren zonder het verwijderen van de accessoires gebruikt tijdens de behandeling. Dit spoelmengsel mag nooit in het riool worden afgevoerd, maar moet worden

verstoven op het reeds behandelde terrein.

- Herhaal dit een paar keer vóór de winter.
- Spoelen met drukspuit voorzien van een drukregelaar: Voeg een liter water toe in de drukspuit en laat deze werken totdat er lucht in de straal verschijnt. Voor het verwijderen van de resterende druk in de drukspuit moet de veiligheidsklep worden geactiveerd (Fig. 19).
- Herhaal voor ieder gebruik, zelfs onmiddellijk, 3 keer het spoelen met verschillende oplossingen.
- Controleer voordat u de spuit opnieuw gebruikt, zelfs onmiddellijk na een vorig gebruik, met hetzelfde of een ander behandelproduct, steeds de goede werking van de drukspuit (met name van de veiligheidsklep).

SERVICEBEURT / ONDERHOUD

Smeer periodiek, na de winter bij het opnieuw opstarten en een paar keer per seizoen, alle pakkingen in (siliconevet voor drukspuit) en controleer de goede werking van drukspuit (met name van de klep).

- Maak het spuitstuk en de spuitstukhouder schoon (Fig. 20)
- Reinig de sproeilansfilter (Fig. 21)
- Demonteer de pomp (Fig. 22)
- Smeer of vervang de sluitklep en de dichtingen (Fig. 22 A, B, C, D)
- De drukspuit is voorzien van een reservoir dat bestand is tegen UV-stralen.

PROBLEMEN / OPLOSSINGEN

Problemen	Oplossingen
Weinig of geen verstuiving	Controleer of alle aansluitingen goed vastgedraaid zijn.
	Zorg ervoor dat alle dichtingen gesmeerd en schoon zijn en niet beschadigd of versleten zijn. Vervang deze, indien nodig (neem contact op met servicedienst).
	Maak het spuitstuk en de filters schoon.
Het spuiten gebeurt niet recht	Maak het spuitstuk schoon.

Problemen	Oplossingen
Lekken	Controleer of alle aansluitingen goed vastgedraaid zijn.
	Zorg ervoor dat alle dichtingen gesmeerd en schoon zijn en niet beschadigd of versleten zijn. Vervang deze, indien nodig (neem contact op met servicedienst).
Veiligheidsklep defect	GEVAAR: Zet het apparaat niet meer onder spanning. Neem contact op met de servicedienst.

GARANTIE

Uitbreiding van de contractuele garantie

Wij bieden een garantie van 3 jaar op onze producten. an bewijs van de datum van aankoop van producten, loopt de garantie vanaf de datum van fabricage van het product (vermeldt op het product). (Fig. 23).

De contractuele garantie is in de navolgende gevallen niet geldig:

De normale slijtageonderdelen: dichtingen, kleppen, handvat, spuitstuk, leiding, draagriemen, drijfstang en de zwengel,

- De producten die worden gebruikt in strijd met de technische aanbevelingen
- De producten die niet worden gebruikt voor het beoogde gebruik,
- De producten die geen regelmatig onderhoud hebben ondergaan,
- Productslijtage (schokken, vallen, breken, enz ...) vanwege verwaarlozing, gebrek aan onderhoud, gebrekkige of abnormaal gebruik van het product,
- De vervanging van een onderdeel, na verlies van een van de onderdelen van de drukspuit.

Werking van de garantie

Neem contact op met uw detailhandelaar om gebruik te maken van uw garantie.

Wij vragen u uw aankoopbewijs (factuur of leesbare kassabon) te bewaren, dat in het geval van de toepassing van de Contractuele Garantie zal worden gevraagd.

Een product onder garantie dat is hersteld of vervangen, blijft gegarandeerd voor de resterende looptijd en de oorspronkelijke voorwaarden van de contractuele garantie verleend bij de aankoop.

Elk product dat is geretourneerd wordt eigendom van HOZELOCK wanneer het wordt vervangen door een nieuw product.

EU-CONFORMITEITSVERKLARING

In overeenstemming met BS EN ISO/IEC 17050-1:2004 verklaart HOZELOCK dat de volgende Hozelock drukspuit: STANDARD 10L (referentie 4232) In overeenstemming is met de essentiële gezondheids- en veiligheidseisen van de volgende richtlijnen: Machinerichtlijn 2006/42/EG en diens wijzigingsrichtlijnen, waaronder 2009/127/EG.

MANUAL DE INSTRUCCIONES

El manual original fue redactado y aprobado en francés. Todos los demás idiomas son traducciones del original. En caso de un conflicto, una imprecisión o una discrepancia entre la versión francesa y otro idioma, prevalecerá la versión en francés.



ÁMBITO DE APLICACIÓN

Este aparato ha sido diseñado exclusivamente para aplicar productos de JARDÍN (fungicidas, herbicidas e insecticidas).

En caso de duda, debe consultar **OBLIGATORIAMENTE** al FABRICANTE.

ATENCIÓN: este aparato no debe contener ni pulverizar productos clorados, con disolventes, productos a base de acetona y de base ácida, lejías, productos detergentes ni desinfectantes.

MONTAJE

- Montar las tuberías sobre el depósito (**Fig. 11**).
- Montar las tuberías sobre el mango (**Fig. 11**).
- Montar el clip sobre el tubo de la lanza (**Fig. 11**).
- Montar las dos tuercas en el tubo de la lanza (**Fig. 11**).
- Montar la boquilla en el tubo de la lanza y este último en el mango (**Fig. 11**).
- Montar la correa de transporte (**Fig. 12**).
- En función el modelo, monte el equipamiento opcional (**Fig. 14**).
- Recoger la lanza tras su utilización (**Fig. 13**).

NORMAS DE SEGURIDAD

- El pulverizador debe utilizarse de acuerdo con las normas locales / nacionales. El manual de instrucciones sirve como formación.
- Un pulverizador es un aparato bajo presión el cual, si no se cumplen las consignas recogidas en este manual, podría ocasionar explosiones

con proyecciones de líquido. En caso de duda, consulte con el fabricante.

- El pulverizador está equipado con una válvula de seguridad calibrada a la presión indicada en la válvula o en el depósito, que limita la presión dentro del depósito.

Recomendamos:

- No retirar nunca la válvula del aparato.
- No obstaculizar el funcionamiento de la válvula.
- Por su seguridad, se debe mantener en perfecto estado de funcionamiento.

- Antes de cada puesta bajo presión, compruebe que la válvula funcione correctamente: levántela manualmente y suéltela. Debe volver inmediatamente a su posición inicial. De lo contrario, no aplique presión al aparato.

- Este aparato está equipado con un interruptor en el mango que permite cortar la alimentación de la lanza cuando el interruptor se suelta, con el fin de impedir cualquier contaminación del usuario y del entorno en caso de emergencia.

- No desmontar ningún elemento del pulverizador sin antes haber liberado la presión.
- En caso de avería, no efectuar la reparación al aire libre. Despresurice el aparato y efectúe la intervención en un lugar adaptado para prevenir cualquier contaminación.

- Asegurarse de que el aparato funcione correctamente comprobando la estanquidad vertiendo unos litros de agua en el depósito.

- El aparato no debe utilizarse ni almacenarse a temperaturas inferiores a 5 °C ni superiores a 40 °C (**Fig. 2 y 3**).

- La solución que se vaya a pulverizar no debe encontrarse a más de 25 °C (**Fig. 4**).

- No utilizar productos explosivos, ácidos ni corrosivos dentro del pulverizador (**Fig. 5 y 6**).

- No pulverice en dirección de llamas ni fuentes de calor.

- DE manera ideal, el tratamiento debería efectuarse con unas condiciones climáticas favorables (sin viento), y si no es posible, dirigir el chorro de la pulverización en el sentido del viento para evitar contaminar al usuario.

- Para evitar la deriva, pulverizar lo más cerca posible de la zona a tratar y sin viento.

- Proteger el medio ambiente pulverizando únicamente las superficies que requieran tratamiento.

- Utilizar ropa de protección, guantes de seguridad, gafas protectoras y una máscara protectora para cualquier manipulación del pulverizador: rellenado, pulverización, limpieza, cambio de producto y mantenimiento (**Fig. 7**).

- Las demás personas y los animales domésticos

deben mantenerse a una distancia razonable durante la pulverización (Fig. 8).

- No fume, ni beba ni coma mientras lo utiliza.

- No utilice este aparato en caso de fatiga o enfermedad ni bajo la influencia del alcohol, drogas o medicamentos.

- Por motivos de seguridad, este pulverizador no debe conectarse a otro equipo. Únicamente debe utilizarse con las piezas originales o con accesorios de HOZELOCK. Todas las piezas del pulverizador contribuyen al buen funcionamiento y a la seguridad del aparato y del usuario.

FUNCIONAMIENTO

- Siga las instrucciones del fabricante de los productos de tratamiento (dosificación, modo de aplicación y enjuague).

- Prepare únicamente la cantidad de producto estrictamente necesaria para una sola aplicación.

- La graduación visible en el depósito facilita la dosificación. El nivel de líquido presente en el tanque se ve mediante transparencia.

- Preparación de la solución que se va a pulverizar:

a) Productos en polvo (solubles o mojables): prepare la solución en un cubo antes de traspasarla al depósito a través del orificio de llenado.

b) Productos de base líquida (que se deben diluir en agua): vierta en el depósito entre 1 y 2 litros de agua y la dosis correspondiente de producto líquido y rellene el depósito con agua hasta el nivel deseado.

Durante su utilización

- Enrosque manualmente el tapón de llenado o la bomba, según el aparato, sobre el depósito (fig. 15).

- Bombeo para presurizarlo hasta que arranque la válvula (hasta que se expulse aire) (fig. 16).

- Presurice el pulverizador exclusivamente mediante la bomba equipada.

- Pulverice pulsando el interruptor del mango (fig. 17).

- Ajuste el chorro girando la boquilla en ambos sentidos (Fig. 18).

- EQUIPAMIENTO OPCIONAL (según el modelo): el regulador de presión de 1 bar proporciona una presión de pulverización constante. Por lo tanto: La pulverización se realiza a una presión constante, incluso aunque el pulverizador esté regulado a una presión mayor que ésta. La pulverización se detiene cuando la presión de pulverización baja por debajo de la presión designada (cuidado, aún queda presión residual en el tanque). Vuelva a bombear para presurizar el aparato.

- Hay disponible una variedad de accesorios para garantizar un tratamiento adaptado a los diferentes usos (barra de herbicida, lanza telescópica, cono para herbicida, etc.) (fig. 14). Consulte e sitio web www.hozelock.com

Tras su utilización / Limpieza

Después de cada utilización:

- Elimine la presión residual que pudiera quedar en el aparato accionando la válvula de seguridad, tirando de ella o presionándola según el caso, o pulverice hasta que no quede presión.

- Para evitar riesgos de contaminación, recupere el producto no utilizado junto con su embalaje.

- Lávese las manos y el rostro con agua limpia después de utilizar el pulverizador.

- No guarde nunca el pulverizador presurizado.

- No conserve nunca el producto de tratamiento dentro del pulverizador.

- Guarde el pulverizador en un lugar resguardado y fuera de alcance de los niños.

- Limpie el filtro del mango y el filtro de aspiración de dentro del depósito, si el pulverizador dispone de ellos (Fig. 21).

- Si pulveriza hasta que aparezca aire en el chorro: elimine la presión residual que pueda quedar dentro del pulverizador accionando la válvula de seguridad (fig. 19), o bien pulverice hasta que no quede presión. El volumen residual de líquido es inferior a 250 ml.

- Antes de guardar el aparato y antes de volver a usarlo con otro producto de tratamiento, aclárelo: añada 1 litro de agua al depósito para diluir el producto, mézclela bien y haga funcionar el aparato para enjuagar todos los componentes del pulverizador. Aclare el aparato sin desmontar los accesorios utilizados durante el tratamiento. No vierta en ningún caso la mezcla de enjuague en el desagüe; pulverícela en el exterior, sobre el terreno ya tratado.

- Repita la operación varias veces antes del invierno.

- Enjuagado con el pulverizador equipado con el regulador de presión: añada 1 litro de agua al pulverizador, presurice y pulverice en un contenedor apto hasta que el líquido se haya evacuado y salga aire por la boquilla. Para descargar la presión restante del pulverizador, utilice la válvula de liberación de presión de seguridad (Fig. 19).

- Antes de volver a utilizarlo para pulverizar otra disolución, aunque sea justo después, se debe repetir el enjuague tres veces seguidas.

- Antes de volver a utilizarlo con el mismo producto de tratamiento o con otro distinto, aunque sea inmediatamente, compruebe que el pulverizador funciona correctamente (en particular, la válvula).

MANTENIMIENTO / CONSERVACIÓN

Periódicamente, al reiniciar el aparato tras el invierno y varias veces cada temporada, engrase todas las juntas (con una grasa de silicona para pulverizador) y compruebe que el pulverizador funciona correctamente (en particular, la válvula).

- Limpiar la boquilla y el portaboquillas (fig. 20).
- Limpie el filtro de la lanza (fig. 21).
- Desmonte la bomba (fig. 22).
- Engrase o cambie la válvula y las juntas (fig. 22 A, B, C, D).
- El pulverizador está equipado con un depósito resistente a la radiación ultravioleta.

PROBLEMAS / SOLUCIONES

Problemas	Soluciones
Pulverización débil o ausente	Compruebe que todos los racores estén bien apretados.
	Asegúrese de que todas las juntas estén lubricadas y limpias y de que no estén deterioradas ni desgastadas. Cámbielas en caso necesario (contacte con el servicio de atención al cliente).
	Limpie la boquilla y los filtros.
La pulverización no sale recta	Limpie la boquilla.
Fugas	Compruebe que todos los racores estén bien apretados.
	Asegúrese de que todas las juntas estén lubricadas y limpias y de que no estén deterioradas ni desgastadas. Cámbielas en caso necesario (contacte con el servicio de atención al cliente).
Válvula de seguridad defectuosa	PELIGRO: No aplicar presión al aparato. Contactar con el servicio de atención al cliente.

GARANTÍA

Extensión de la garantía contractual

Nuestros productos están cubiertos por una garantía de 3 años. Si no se dispone de pruebas que demuestren la fecha de compra de los

productos, la garantía pasará a aplicarse a partir de la fecha de fabricación del producto (indicada en la parte inferior del producto) (Fig. 23).

La garantía contractual no se aplicará en los siguientes casos:

- las piezas de desgaste normal: juntas, cierres, mango, boquilla, tuberías, correas de transporte, biela y palanca;
- los productos que se utilicen incumpliendo las recomendaciones técnicas;
- los productos que se usen indebidamente;
- los productos que no se sometan a un mantenimiento periódico;
- los deterioros del producto (golpes, caídas, aplastamientos, etc.) debidos a negligencias, falta de mantenimiento o usos indebidos o anómalos del producto;
- el reemplazo de componentes del pulverizador que se hayan perdido.

Funcionamiento de la garantía

Póngase en contacto con su distribuidor para reclamar su garantía.

Le rogamos que conserve la prueba de compra (factura o recibo de caja legible), que se le pedirá en el caso de que se deba aplicar la garantía contractual.

Si un producto cubierto por la garantía se repara o se reemplaza, continuará cubierto durante el periodo restante y con las condiciones iniciales de la garantía contractual concedida al comprar el producto.

Todos los productos devueltos pasarán a ser propiedad de HOZELOCK al ser reemplazados por un producto nuevo.

DECLARACIÓN DE CONFORMIDAD DE LA UE

De acuerdo con BS EN ISO/IEC 17050-1:2004 HOZELOCK declara que los siguientes pulverizadores a presión Hozelock: STANDARD 10L (referencia 4232) Cumplen los requisitos esenciales de salud y seguridad de las siguientes directivas: Directiva de máquinas 2006/42/CE y sus directivas rectificativas, incluyendo la 2009/127/CE.

S BRUKSANVISNING

Originalbruksanvisningen är skriven och godkänd på franska. Alla andra språkversioner är översättningar av originalet. Vid konflikt, oklarhet eller bristande överensstämmelse mellan den franska och andra språkversioner, ska den franska versionen äga företräde.



ANVÄNDNINGSSOMRÅDE

Denna apparat är endast avsedd att användas med produkter för trädgårdar (svamp-, växt- och insektsbekämpningsmedel).

Samråd måste ske med tillverkaren om du är osäker.

OBSERVERA: Denna apparat får inte innehålla eller spruta klorhaltiga produkter, lösningsmedelsbaserade medel, aceton- eller syrabaserade produkter, klorblekmedel, tvättmedelsprodukter eller desinficeringsmedel.

MONTERING

- Montera rören på behållaren (**Fig. 11**).
- Montera rören på handtaget (**Fig. 11**).
- Montera clipset på spjutslangen (**Fig. 11**).
- Montera de två muttrarna på spjutslangen (**Fig. 11**).
- Montera munstycket på spjutslangen och slangen på handtaget (**Fig. 11**).
- Montera axelremmarna (**Fig. 12**).
- Montera, beroende på modell, tillvalsutrustning (**Fig. 14**).
- Förvaring av spjutet efter användning (**Fig. 13**)

SÄKERHETSFÖRESKRIFTER

- Trycksprutan får endast användas enligt lokala/nationella bestämmelser. Bruksanvisningen fungerar som utbildning.

- En tryckspruta är en trycksatt apparat som, om föreskrifterna i denna bruksanvisning inte respekteras, kan medföra explosionsrisk med utsprutande vätska. Samråd med tillverkaren om du är osäker.

- Denna tryckspruta har en säkerhetsventil som är tarerad till det tryck som anges på ventilen eller på behållaren och som begränsar trycket inne i behållaren.

Rekommendationer:

- Demontera aldrig apparatens ventil.
- Gör inget som stör ventilens funktion.
- Ventilen måste, för din säkerhets skull, hela tiden fungera perfekt.

- Kontrollera före varje trycksättning att ventilen fungerar som den ska: lyft upp den för hand och släpp den. Den ska omedelbart gå tillbaka till sitt ursprungsläge. I annat fall ska apparaten inte trycksättas.

- För att undvika eventuell kontaminering av operatör och miljö i ett nödfall är denna apparat försedd med en brytare på handtaget som bryter matningen till spjutet när den inte längre hålls nedtryckt.

- Demontera aldrig någon av trycksprutans delar utan att först ha gjort den trycklös.

- Utför inga reparationer ute på fältet vid eventuella problem. Undvik kontaminering genom att göra apparaten trycklös och utföra arbetet på lämplig plats.

- Säkerställ att apparaten fungerar som den ska genom att kontrollera att den är tät med hjälp av några liter vatten i behållaren.

- Apparaten får inte användas eller förvaras vid lägre temperatur än 5 °C eller högre än 40 °C (**Fig. 2 och 3**).

- Den lösning som ska sprutas ut får inte vara varmare än 25 °C (**Fig. 4**).

- Använd inga explosiva, sura och/eller frätande produkter i trycksprutan (**Fig. 5 och 6**).

- Spruta inte i riktning mot öppen låga eller värmekälla.

- Spruta helst bara vid lugnt väder (vindstilla) och i annat fall genom att rikta sprutstrålen i vindriktningen för att undvika att användaren blir kontaminerad.

- Undvik avvikelser genom att spruta så nära det område som ska behandlas som möjligt och vid vindstilla.

- Skydda miljön genom att bara spruta på ytor som ska behandlas.

- Bär alltid skyddskläder, skyddshandskar, skyddsglasögon och ansiktsskydd när du hanterar trycksprutan: påfyllning, sprutning, rengöring, byte av produkt, underhåll (**Fig. 7**).

- Håll utomstående och husdjur på rimligt avstånd medan du sprutar (**Fig. 8**).

- Du får inte röka, dricka eller äta något under användning.

- Denna apparat får inte användas av någon som är trött, sjuk eller påverkad av alkohol, droger eller läkemedel.

- Denna tryckspruta får av säkerhetsskäl inte anslutas till någon annan utrustning. Den får endast användas med Hozelock original reservdelar och tillbehör. Alla trycksprutans delar bidrar till dess funktion och till apparatens och dess användares säkerhet.

FUNKTIONSSÄTT

- Respektera anvisningarna från tillverkaren av den produkt som används (dosering, användningsmetod, sköljning).

- Blanda aldrig större mängd produkt än som absolut behövs och endast för ett användningstillfälle.

- Den gradering som finns på behållaren gör det lätt att dosera. Tack vare att behållaren är genomskinlig är det lätt att se hur mycket vätska den innehåller.

- Blanda den lösning som ska sprutas:

a) Produkt i form av pulver (lösligt eller emulgerbart): blanda i ett spann innan du håller över i behållaren via påfyllningsöppningen.

b) Vätskebaserad produkt (spädbar i vatten): håll i 1-2 liter vatten i behållaren, håll i önskad dos av produkten i vätskeform och fyll sedan på med önskad mängd vatten.

Vid användning

- Skruva för hand, beroende på apparat, på påfyllningskork eller pump på behållaren (Fig. 15).

- Pumpa för att trycksätta tills ventilen löser ut (när luft trycks ut) (Fig. 16).

- Trycksätt alltid sprutan med hjälp av den medföljande pumpen.

- Spruta genom att trycka på handtagets brytare (Fig. 17).

- Ställ in strålen genom att vrida munstycket åt önskat håll (Fig. 18).

- TILLVALSUTRUSTNING (beroende på modell): tryckregulator för 1 bar ger ett konstant spruttryck. Därför: Sprutning sker med konstant tryck, även om trycksprutan ställts in på ett högre tryck. Sprutning avbryts när spruttrycket faller under konstruktionstryck (var försiktig, det finns fortfarande tryck kvar i behållaren). Pumpa igen för att trycksätta apparaten.

- För att garantera att behandlingen är anpassad för olika användningsområden finns en rad olika tillbehör (ramp för ogräsbekämpning, teleskopspjut, hylsa för ogräsbekämpning osv.) (Fig. 14).
Gå till webbplatsen www.hozelock.com

Efter användning/Rengöring

Efter varje användning:

- Släpp ut det tryck som kan finnas kvar i apparaten genom att dra i eller trycka på säkerhetsventilen eller genom att spruta tills det inte längre finns något tryck kvar.

- Undvik föroreningsrisk genom att ta hand om ej använd produkt och dess emballage.

- Tvätta händer och ansikte i rent vatten efter att ha använt trycksprutan.

- Förvara aldrig trycksprutan trycksatt.

- Ha aldrig kvar produkt i behållaren under förvaring.

- Förvara trycksprutan på sluten plats, utom räckhåll för barn.

- Rengör handtagsfiltret och insugsfiltret i behållaren om trycksprutan har ett sådant (Fig. 21).

- Om du sprutar tills luft uppträder i sprutstrålen: släpp ut det tryck som kan finnas kvar i trycksprutan genom att aktivera säkerhetsventilen (Fig. 19) eller genom att spruta tills det inte längre finns något tryck kvar. Resterande vätskevolym är mindre än 250 ml.

- Skölj apparaten innan du ställer undan och innan den används med en annan produkt. Du gör det genom att fylla behållaren med en liter vatten för att späda ut innehållet i den, blanda väl och spruta för att skölja ut alla apparatens delar. Sköljningen ska göras utan att de tillbehör som använts vid behandlingen demonteras. Denna sköljblandning får under inga omständigheter hällas ut i avloppet, utan ska sprutas ut utomhus på ytor som redan behandlats.

- Före vinterförvaring upprepas sköljningen flera gånger.

- Sköljning av tryckspruta med tryckregulator monterad: fyll sprutan med en liter vatten, trycksätt och spruta i en lämplig behållare tills all vätska sprutats ut och luft kommer ur munstycket. Använd säkerhetsventilen för att släppa ut resterande tryck ur trycksprutan (Fig. 19).

- Gör om sköljrutinen tre gånger efter varandra före varje ny användning med en annan sprutlösning, även om den följer omedelbart på en annan.

- Kontrollera före varje ny användning att trycksprutan fungerar väl (särskilt ventilen), även om den följer omedelbart på annan användning och även om det rör sig om samma produkt.

SERVICE / UNDERHÅLL

Fetta regelbundet, vid start efter vinterförvaring och flera gånger under säsongen, i samtliga packningar (med silikonfett för trycksprutor) och kontrollera att trycksprutan fungerar väl (särskilt ventilen).

- Rengör munstycke och munstyckshållare (Fig. 20)

- Rengör spjutets filter (Fig. 21)

- Demontera pumpen (Fig. 22)

- Smörj eller byt backventil och packningar (Fig. 22 A, B, C, D)

- Trycksprutans behållare är beständig mot UV-strålning.

PROBLEM / LÖSNING

Problem	Løsning
Svag eller ingen sprutstråle	Kontrollere att alla kopplingar är väl åtdragna.
	Kontrollere att alla packninger är smorda og rena og inte skadade eller slitne. Byt vid behov (kontakta kundtjånst).
	Rengør munstycke og filter.
Sprutstrålen er inte rak	Rengør munstycket.
Låckage	Kontrollere att alla kopplingar er väl åtdragna.
	Kontrollere att alla packninger er smorda og rena og inte skadade eller slitne. Byt vid behov (kontakta kundtjånst).
Fel på sikkerhetsventilen	ARA: Trycksatt inte apparaten. Kontakta kundtjånst.

GARANTI

Förlångd avtalsgaranti

Vi lämner tre års garanti på våra produkter. I avsaknad av bevis på inköpsdag för en produkt börjar garantin löpa från produktens tillverkningsdag (anges på undersidan av produkten) (Fig. 23).

Avtalsgarantin gæller inte i följande fall:

- normala sliddelar: packninger, ventiler, handtag, munstycke, slangar, bårselar, stång og spak,
- produkt som anvånts i strid med de tekniska rekommendationerna,
- produkt som anvånts felaktigt,
- produkt som inte blivt föremål för regelbundet underhåll,
- Skada på produkt (slag, fall, stöt osv.) till följd av vårdsløshet, bristande underhåll, felaktig eller onormal anvåndning av produkten, samt
- Byte av komponent sedan någon av trycksprutans komponenter har gått förlorad.

Så fungerer garantin

Kontakta din återförsåljare om du har ett garantikrav.

Du bör spara inköpsbeviset (faktura eller læsligt kassakvitto), som ska företes vid krav enligt avtalsgarantin.

En produkt som omfattas av garantin og som reparerats eller bytts ut omfattas fortsatt av garantin under den tid som återstår og enligt de villkor för avtalsgarantin som ursprungligen gællt.

Varje produkt som returneras blir egendom tillhörig HOZELOCK når den bytts ut mot en ny produkt.

EU-FÖRSÅKRAN OM ÖVERENSSTÅMELSE

Enligt SS-EN ISO/IEC 17050-1:2004 Hozelock försåkrar att nedanstående Hozelock tryckspruta: STANDARD 10L (artikelnummer 4232) Överensståmmer med de grundläggande kraven på hålsa og sikkerhet i följande EU-direktiv: Maskindirektivet, 2006/42/EG, i dess nuvarande lydelse, inklusive 2009/127/EG.

N BRUKSANVISNING

Den originale veiledningen ble skrevet og godkjent på fransk. Alle andre språk er oversettelser av originalen. Dersom det skulle oppstå konflikt, upresisheter eller avvik mellom den franske teksten og teksten oversatt til andre språk, er det alltid det franske versjonen som vil gjelde.

BRUKSOMRÅDE

Dette produktet skal kun brukes til HAGEprodukter (soppdrepende middel, ugressmiddel, insektmiddel).

KONTAKT PRODUSENTEN hvis du har spørsmål.

OBS: Produktet må ikke fylles med eller spraye produkter som inneholder klor, løsemiddel, aceton, syrer, blekemiddel, vaskemiddel eller desinfeksjonsmiddel.

MONTERING

- Montere slangen på beholderen (Fig. 11).
- Fest slangen til håndtaket (Fig. 11).
- Monter festeklipsen på pekerøret (Fig. 11).
- Monter de to mutrene på pekerøret (Fig. 11)
- Fest tuten til pekerøret og slangen på håndtaket (Fig. 11).
- Monter bæreselen (Fig. 12).
- Avhengig av modell, monter valgfritt utstyr (Fig. 14).
- Plassering av pekerøret etter bruk (Fig. 13)

SIKKERHETSREGLER

- Bruk trykksprøyten med håndtak i henhold til lokal og nasjonal lovgivning. Bruksanvisningen gir deg all informasjon du trenger for å bruke produktet.
- Trykksprøyten består av en beholder under trykk. Denne beholderen kan medføre eksplosjonsfare med væskesprut hvis ikke bruksanvisningen blir fulgt. Kontakt produsenten ved tvil.
- Trykksprøyten er utstyrt med en trykkavlastningsventil på ventilen eller på tanken, som begrenser trykket inne i tanken. Følgende anbefalinger gjelder:
 - Ikke fjern ventilen fra apparatet.
 - Ikke blokker ventilen.
 - Ventilen må fungere riktig for at din sikkerhet skal kunne ivaretas.
- Før bruk må du kontrollere at ventilen fungerer som den skal. Trekk ventilen opp og slipp deretter taket. Ventilen skal umiddelbart gå tilbake til sin opprinnelige posisjon. Hvis den ikke gjør det, må du ikke sette apparatet under trykk.
- Apparatet har en bryter på håndtaket som stopper væskespruten hvis ikke bryteren holdes inne. Dette skal forhindre forurensning av brukeren og miljøet i nødstilfeller.
- Ikke demonter trykksprøyten før trykket er frigitt.
- Ikke reparer trykksprøyten i hagen. Fjern trykket fra apparatet og reparer trykksprøyten på et egnet sted for å unngå å forurense miljøet.
- Kontroller at trykksprøyten er i god stand og ikke lekker ved å helle et par liter vann på tanken.
- Sprøyten må ikke brukes ved temperaturer under 5 °C eller over 40 °C (Fig. 2 og 3).
- Oppløsningen som skal sprøytes må ikke være over 25 °C (Fig. 4).
- Ikke bruk eksplosive produkter, eller sure og / eller etsende produkter i sprøyten (Fig. 5 og 6).
- Spruten må ikke rettes mot flammer eller varmekilder.
- Bruk sprøyten helst i rolig vær (uten vind), eller sprøyte med vinden for ikke å forurense brukeren.
- For å unngå at produktet som sprayes føres avgårde med vinden, må du sprøyte så nært som mulig det området som skal behandles.
- Tenk miljøvern, sprøyt kun de områdene som skal behandles.
- Bruk verneutstyr, vernehansker, vernebriller og maske når du fyller på, sprøyter, rengjør, bytter produkt og vedlikeholder trykksprøyten (Fig. 7).
- Andre mennesker og dyr skal holdes på fornuftig avstand mens du sprøyter (Fig. 8).

- Det er forbudt å røyke, drikke eller spise mens sprøyten brukes.
- Ikke bruk apparatet hvis du er sliten, syk, har drukket alkohol, tatt narkotika eller medisiner.
- Av sikkerhetshensyn skal ikke trykksprøyten kobles til andre enheter. Den skal kun brukes med opprinnelige deler og tilbehør fra HOZELOCK. Alle delene på apparatet bidrar til at det fungerer som det skal og at det er trygt å bruke.

BRUKSANVISNING

- Følg instruksjonene fra produsenten av midlene (dosering, bruksmetode, skylling).
 - Lag kun den mengden som er strengt nødvendig og for én enkelt behandling.
 - Beholderen har volumindikator slik at det blir lettere å dosere. Væsknivået er synlig gjennom beholderen.
 - Tilberedning av sprøyteløsningen:
 - a) Pulverprodukter (oppløselige): Bland produktet ut i en bøtte før du heller det over i beholderen.
 - b) Væsker (som skal blandes ut i vann): Ha 1 til 2 liter vann i beholderen, hell i riktig produktmengde og fyll på med resten av vannet
- Under bruk**
- Skru lokket eller pumpen manuelt på beholderen (Fig. 15).
 - Pump til ventilen slipper ut luft (Fig. 16).
 - Beholderen skal bare fylles med luft ved hjelp av pumpen som følger med.
 - Sprøyt ved å trykke inn bryteren på håndtaket (Fig. 17).
 - Strålen justeres ved å vri dysen til høyre eller venstre (Fig. 18).
 - VALGFRITT UTSTYR (avhengig av modell): 1 bar trykkregulator gir et konstant sprøytetrykk. Derfor: Skjer sprøytingen ved konstant trykk selv om sprøyten blir stilt på høyere trykk enn dette. Stopper sprøytingen når sprøytetrykket faller under det bestemte trykket (forsiktig, det er fremdeles resttrykk i tanken). Pumpe igjen for å trykksette apparatet.
 - Trykkpumpen kan utstyres med tilbehør til ulik bruk (flere dysehoder, teleskoprør, deksel ...) (Fig. 14).
Mer informasjon på nettstedet www.hozelock.com

Etter bruk / rengjøring

- Etter hver bruk:
- Slipp ut trykket som kan være igjen i beholderen ved å trekke eller skyve sikkerhetsventilen, eller ved å sprøyte til det ikke er mer trykk i beholderen.
 - Spar på det ubrukte middelet og gjenvinn emballasjen for å unngå forurensning.
 - Vask hendene og ansiktet med rent vann etter

at du har brukt trykkpumpen.

- Sett aldri fra deg trykkpumpen med trykk i beholderen.

- Sprøytemidler må aldri oppbevares inni trykksprøyten.

- Oppbevar sprøyten på et lukket sted og utilgjengelig for barn.

- Rengjør filteret i håndtaket og filteret i beholderen hvis trykkpumpen er utstyrt med dette (Fig. 21).

- Hvis du sprøyter til det kommer ut luft: Fjern gjenværende trykk i beholderen ved å aktivere sikkerhetsventilen (Fig. 19) eller sprøyt til beholderen er fri for trykk. Det er mindre enn 250 ml væske igjen i beholderen.

- Før du rydder vekk trykkbeholderen og før du heller i andre produkter, må du skylle trykkbeholderen.

Det gjør du ved å fylle på 1 liter vann i beholderen, blande godt og sprøyte for å skylle alle delene. Skyll trykkbeholderen med tilbehøret montert på slik at du rengjør alle delene du har brukt. Blandingen som du bruker til å skylle med, skal ikke tømmes i kloakknett; men sprøytes på det samme området som du allerede har behandlet.

- Gjenta rengjøringen flere ganger før du rydder bort produktet.

- Skylling med sprøyte utstyrt med trykkregulator: tilsett 1 liter vann i sprøyten, trykksatte den og sprøyt inn i en egnet beholder helt til all væsken er tømt og det kommer kun luft ut av dysen. For å tømme det gjenværende trykket i sprøyten, bruk sikkerhetsventilen for trykkavlastning. (Fig. 19).

- Før du bruker trykkbeholderen på nytt – selv umiddelbart – må du skylle den tre ganger som forklart over.

- Før du bruker trykkbeholderen på nytt – selv umiddelbart – med samme produkt eller andre produkter, må du kontrollere at den fungerer som den skal (spesielt sikkerhetsventilen).

VEDLIKEHOLD

Når du starter på nytt etter overvintring og flere ganger gjennom sesongen, må du jevnlig smøre alle delene (med silikonfett for trykkpumpe) og kontrollere at sprøyten fungerer (spesielt ventilen).

- Rengjør dysen og festet (Fig. 20)

- Rens filteret på pekerøret (Fig. 21)

- Demonter pumpen (Fig. 22)

- Ta på fett eller bytt ut ventil og pakninger (Fig. 22 A, B, C, D)

- Beholderen på trykkpumpen er motstandsdyktig mot UV-stråler.

PROBLEMER / LØSNINGER

Problem	Løsning
Svak eller ingen sprut	Påse at alle pakningene er godt lukket.
	Påse at alle skjøtene er smurte, rene og ikke skadde eller slitte. Bytt dem ut om nødvendig (kontakt kundeservice).
	Rengjør dysen og filterene.
Spruten går ikke rett frem	Rengjør dysen.
Lekkasjer	Påse at alle pakningene er godt lukket.
	Påse at alle skjøtene er smurte, rene og ikke skadde eller slitte. Bytt dem ut om nødvendig (kontakt kundeservice).
Sikkerhetsventilen er skadd	FARE: Ikke sett beholderen under trykk. Kontakt kundeservice.

GARANTI

Utvidelse av kontraktsgarantien

Vi garanterer produktene våre i 3 år. Hvis du ikke kan fremlegge dokumentasjon på kjøpsdatoen, løper garantien fra produksjonsdatoen for produktet (angitt under produktet). (Fig. 23).

Kontraktsgarantien gjelder ikke i for:

- vanlige slitasjedeler: skjøter, ventiler, håndtak, dyse, rør, bærestropper, koblingsstang og spake,
- produkter som har blitt brukt i strid med de tekniske anbefalingene

- produkter som har blitt misbrukt
- produkter som ikke har blitt regelmessig vedlikeholdt

- skader på produktet (slag, fall, knusing osv. ...) forårsaket av uaktsomhet, manglende vedlikehold, misbruk eller unormal bruk av produktet

- utskiftning av en del etter tap av delen

Garantiens anvendelse:

Ta kontakt med forhandleren din for å benytte deg av garantien.

Vi ber deg om å oppbevare kjøpsdokumentasjonen (leselig regning eller kvittering). Du vil bli bedt om å fremlegge dette for å gjøre bruk av garantien.

Et produkt under garanti som har blitt reparert eller skiftet ut, dekkes av garantien i resten av garantiperioden, på de opprinnelige vilkårene i kontraktsgarantien fastsatt på kjøpstidspunktet.

Ethvert returnert produkt tilhører på nytt HOZELOCK når produktet byttes ut med et nytt produkt.

EU SAMSVARSERKLÆRING

I overensstemmelse med BS EN ISO/IEC 17050-1:2004 erklærer HOZELOCK at følgende Hozelock trykksprøyter: STANDARD 10L (referanse 4232) er i overensstemmelse med de viktigste helse- og sikkerhetskravene i følgende direktiver: Maskindirektivet 2006/42/EF og dets endringsdirektiv, herunder 2009/127/EF.

FIN KÄYTTÖOHJE

Alkuperäinen käyttöopas on kirjoitettu ja hyväksytty ranskan kielellä. Kaikki muut kielet on käännetty alkuperäisestä tekstistä. Ristiriitatilanteissa, epätasällisyyksissä tai epäjähdön mukaisuuksissa ranskankielisen ja muiden kieliversioiden välillä ranskankielinen versio on vallitseva versio.

KÄYTTÖTARKOITUS

Tämä laite on suunniteltu ainoastaan PUUTARHA-AINEIDEN (sienimyrkyt, rikkaruohomyrkyt, hyönteismyrkyt) levittämiseen.

Jos olet epävarma laitteen käyttötarkoituksesta, ota EHDÖTTOMASTI yhteyttä VALMISTAJAAN.

HUOMAA: Tässä laitteessa ei saa käyttää tai sillä ei saa ruiskuttaa kloorattuja tuotteita, liuotinaineita, asetonipohjaisia tai happopohjaisia aineita, valkaisuaineita, pesuaineita ja desinfiointia aineita.

KOKOAMINEN

- Asenna letku säiliöön (**kuva 11**).
- Asenna letku kahvaan (**kuva 11**).
- Asenna klipsi letkun varteen (**kuva 11**).
- Kiinnitä molemmat mutterit letkun varteen (**kuva 11**).

- Kiinnitä suutin letkun varteen ja putki kahvaan (**kuva 11**).

- Kiinnitä kantohihna (**kuva 12**).

- Mallista riippuen, asenna valinnainen lisävaruste (**kuva 14**).

- Varren säilytys käytön jälkeen (**kuva 13**)

TURVALLISUUSSÄÄNNÖT

- Ruiskua on käytettävä paikallisten/kansallisten säädösten mukaisesti. Käyttöohje opastaa laitteen käytössä.

- Ruisku on paineenalainen laite, joka voi aiheuttaa räjähdysvaaran nesteen purkautumisen vuoksi, mikäli näissä ohjeissa annettuja neuvoja ei noudateta. Jos herää kysyttävää, ota yhteyttä valmistajaan.

- Tämä ruisku on varustettu turvaventtiilillä, joka on taarattu venttiilissä tai säiliössä ilmoitettuun paineeseen, joka rajoittaa säiliön sisällä olevaa painetta.

Suosituksset:

- Älä koskaan irrota laitteen venttiiliä.

- Älä häiritse venttiilin toimintaa.

- Venttiilin on oltava täydellisessä toimintakunnossa turvallisuutesi vuoksi.

- Aina ennen paineen nostamista tarkista venttiilin hyvä toimintakunto: nosta sitä käsin ja irrota sitten otteesi. Venttiilin on palauduttava välittömästi alkuperäiseen asentoonsa. Jos näin ei tapahdu, älä lisää laitteen painetta.

- Tämä laite on varustettu kahvassa olevalla katkaisimella, jonka avulla varren virransyöttö voidaan katkaista heti, kun katkaisinta ei paineta. Näin ehkäistään käyttäjän ja ympäristön altistuminen kontaminaatiolle hätätapauksissa.

- Älä koskaan irrota ruiskuosaa laskematta ensin painetta.

- Jos laite ei toimi, älä suorita korjaustoimenpiteitä keskellä peltoa. Poista laitteen paine ja tee korjaukset asianmukaisessa paikassa, jossa ei ole kontaminaatiovaaraa.

- Tarkista laitteen hyvä toimintakunto tarkastamalla tiivisteiden tila lisäämällä muutama litra vettä säiliöön.

- Laitetta ei saa käyttää tai säilyttää alle +5°C ja yli +40°C asteen lämpötiloissa (**kuvat 2 ja 3**).

- Ruiskutusaineen lämpötila ei saa olla yli 25 °C (**kuva 4**).

- Älä käytä ruiskussa räjähtäviä, happoa sisältäviä ja/tai syövyttäviä aineita (**kuvat 5 ja 6**).

- Älä ruiskuta liekkiä tai lämmönlähdettä kohti.

- Käytä ruiskua ihanteellisesti vain tyyneellä ilmalla (ilman tuulta), ja muussa tapauksessa kohdistamalla ainesuihku tuulen suuntaan estääksesi käyttäjän kontaminaatiolta.
- Ehkäistäksesi ruiskutettavan aineen ajautumista väärälle alueelle, ruiskuta mahdollisimman lähellä käsiteltävää aluetta ja ilman tuulta.
- Suojele luontoa, ruiskuta vain käsiteltäviä alueita.
- Käytä suojavaatteita, -käsineitä, -laseja ja -maskia aina kun käytät ruiskua; kun täytät tai puhdistat ruiskua, ruiskutat sillä, vaihdat ruiskutettavaa ainetta tai huollat sitä (kuva 7).
- Varmista, että muut ihmiset ja kotieläimet pysyvät riittävän kaukana ruiskuttamisen aikana (kuva 8).
- Älä tupakoi, juo tai syö ruiskuttamisen aikana.
- Tätä laitetta ei saa käyttää väsyneenä, sairaana eikä alkoholin, huumeiden tai lääkkeiden vaikutuksen alaisena.
- Tätä ruiskua ei saa kytkeä muihunkin laitteeseen turvallisuussyistä. Sitä saa käyttää vain HOZELOCKIN alkuperäisten osien ja lisävarusteiden kanssa. Kaikki ruiskun osat edesauttavat laitteen hyvää toimintaa sekä laitteen ja käyttäjän turvallisuutta.

KÄYTTÖ

- Noudata käsittelyaineiden valmistajien antamia ohjeita (annostus, levitystapa, huuhtelu).
- Valmistele vain tarvittava määrä ainetta ja aina vain yhtä käyttökertaa varten.
- Annostelu on helppoa säiliössä näkyvän mitta-asteikon avulla. Nesteen taso näkyy hyvin läpinäkyvässä säiliössä.
- Ruiskutettavan liuoksen valmisteleminen:
 - a) Jauhemainen aine (liukeneva tai laimennettava): valmistele aine sangossa ennen kuin kaadat sen säiliöön täyttöaukon kautta.
 - b) Nestemäinen aine (veteen laimennettava): laita 1-2 litraa vettä säiliöön, kaada annos nestemäistä ainetta ja lisää vettä haluamasi määrän saavuttamiseksi.
- Käytön aikana**
 - Ruuvaa käsin, riippuen laitteesta, joko täyttökorkki tai pumppu säiliöön (kuva 15).
 - Pumppaa paineen nostamiseksi, kunnes venttiili aktivoituu (heti kun ilmaa ei enää tule) (kuva 16).
 - Nosta ruiskun painetta ainoastaan mukana toimitettavalla pumppulla.
 - Ruiskuta painamalla kahvan katkaisinta (kuva 17).

- Säädä suihkua kääntämällä suutinta molempiin suuntiin (Kuva 18).
- VALINNAISET LISÄVARUSTEET (mallista riippuen): 1 baarin paineensäädin takaa tasaisen ruiskutuspaineen. Sen tähden: Ruiskutus tapahtuu tasaisella paineella, vaikka ruisku olisi säädetty tätä korkeammalle paineelle. Ruiskutus lakkaa, kun ruiskutusaine laskee ilmoitetun paineen alapuolelle (ole varovainen, säiliössä on vielä jäljellä painetta). Pumppaa uudelleen paineistaaksesi laitteen.
- Laitteelle on saatavilla valikoima lisävarusteita erilaisiin käsittelytarkoituksiin (rikkaruohojen poistoalusta, teleskooppivarsi, rikkaruohojen poistomaski...) (kuva 14).
Katso sivusto www.hozelock.com

Käytön jälkeen / Puhdistus

- Jokaisen käyttökerran jälkeen:
 - Poista laitteesta jäljellä oleva paine käynnistämällä turvaventtiili vetämällä tai työntämällä sitä venttiilistä riippuen tai ruiskuttamalla kunnes painetta ei enää ole.
 - Ehkäise ympäristöriskejä keräämällä talteen käyttämättä jäänyt käsittelyaine sekä tätä sisältänyt astia.
 - Pese kädet ja kasvat puhtaalla vedellä ruiskun käytön jälkeen.
 - Älä koskaan säilytä ruiskua, jos sen sisällä on painetta.
 - Älä koskaan säilytä käsittelyainetta ruiskun sisällä.
 - Säilytä ruisku suljetussa paikassa lasten ulottumattomissa.
 - Puhdista kahvan suodatin ja säiliön imusuodatin, jos ruisku sisältää ne (kuva 21).
 - Jos ruiskutat niin kauan, että suihkussa on ilmaa: poista ruiskuun jäljelle jäänyt paine aktivoimalla turvaventtiili (kuva 19) tai ruiskuttamalla kunnes painetta ei enää ole. Jäljellä olevaa nestettä on alle 250 ml.
 - Ennen säilytystä ja ennen kuin käytät ruiskua toisen käsittelyaineen kanssa, huuhtele ruisku lisäämällä 1 litra vettä laimennettavaksi säiliöön, sekoita ja käynnistä ruisku huuhdellaksesi laitteen kaikki osat.
- Tämä huuhtelutoiminto on suoritettava irrrottamatta käsittelyn aikana käytettyjä lisävarusteita. Tätä huuhteluseosta ei saa missään tapauksessa heittää viemäriin, vaan se ruiskutettava ulkona jo käsitellylle alueelle."
- Toista sama useita kertoja ennen talvisäilytystä.

- Huuhtelu ruiskulla, joka on varustettu paineensäätimellä: lisää 1 litra vettä ruiskuun, paineista ja ruiskuta sopivaan astiaan, kunnes kaikki neste on poistettu ja suuttimesta tulee ilmaa. Poista ruiskussa jäljellä oleva paine käyttämällä paineenvapautuksen turvaventtiiliä (kuva. 19).

- Ennen kuin otat ruiskun uudelleen käyttöön eri ruiskutusaineella, vaikka se olisi heti, toista huuhtelutoiminto 3 kertaa.

- Ennen kuin otat ruiskun uudelleen käyttöön samalla tai toisella käsittelyaineella, vaikka se olisi heti, tarkista ruiskun hyvä kunto (erityisesti venttiilin kunto).

HUOLTO/YLLÄPITO

Voitele tiivisteet (ruiskulle tarkoitettulla silikonirasvalla) säännöllisesti, käynnistäessäsi sen talvikauden jälkeen ja useita kertoja käyttökauden aikana. tarkista ruiskun hyvä kunto (erityisesti venttiilin kunto).

- Puhdista suutin ja suutinpidike (kuva 20)

- Puhdista varren suodatin (kuva 21)

- Irrota pumppu (kuva 22)

- Voitele tai vaihda läppä ja tiivisteet (kuvat 22 A, B, C, D)

- Ruisku on varustettu UV-säteilyä kestäväällä säiliöllä.

ONGELMAT / RATKAISUT

Ongelmat	Ratkaisut
Heikko ruiskutus tai ei ruiskutusta ollenkaan	Varmista, että kaikki liittimet on kiristetty kunnolla.
	Varmista, että kaikki tiivisteet on rasvattu ja puhtaat, ja että ne eivät ole kuluneet tai rikki. Vaihda ne tarvittaessa (ota yhteys kuluttajien huoltopalveluun).
	Puhdista suutin ja suodattimet.
Ruisku ei ole suorassa	Puhdista suutin.
Vuodot	Varmista, että kaikki liittimet on kiristetty kunnolla.
	Varmista, että kaikki tiivisteet on rasvattu ja puhtaat, ja että ne eivät ole kuluneet tai rikki. Vaihda ne tarvittaessa (ota yhteys kuluttajien huoltopalveluun).
Turvaventtiili on viallinen	VAARA: Älä enää nosta laitteen painetta. Ota yhteys kuluttajan huoltopalveluun.

TAKUU

Sopimuksenalaisen takuun lisäosa

Tuotteillamme on 3 vuoden takuu. Jos ostopäivää ei voida todistaa, takuu alkaa tuotteen valmistuspäivästä (luetaan tuotteen alta) (kuva 23).

Sopimuksenmukainen takuu ei kata seuraavia tapauksia:

- Normaalisti kuluvat osat: tiivisteet, läpät, kahva, suutin, letkut, kantohihnat, kiertokanki ja vipu

- Tuotteet, joita on käytetty teknisten suositusten vastaisella tavalla

- Tuotteet, joita on käytetty väärin

- Tuotteet, joita ei ole huollettu säännöllisesti

- Tuotteen vioittumiset (iskut, pudotukset, musertuminen jne...), jotka aiheutuvat tuotteen laiminlyönnistä, huoltovirheestä tai viallisesta tai epänormaalia käytöstä

- Osan vaihto ruiskun osan katoamisen vuoksi.

Takuun käyttö

Käytä takuuta ottamalla yhteys jälleenmyyjäsi.

Pyydämme sinua säilyttämään ostotodistuksen (laskun tai luettavissa olevan kassakuitin), joka sinulta pyydetään mikäli haluat käyttää sopimuksenmukaista takuuta.

Takuunalainen tuote, joka on korjattu tai vaihdettu, säilyy takuunalaisena jäljellä olevan ajan ostopäivänä myönnetyn sopimuksenalaisen takuun alkuperäisten ehtojen mukaisesti.

Kaikki palautetut tuotteet siirtyvät HOZELOCK omistukseen, kun ne vaihdetaan uuteen tuotteeseen.

EU VAATIMUSTENMUKAISUUSTODISTUS

Standardin BS EN ISO/IEC 17050-1:2004 mukaisesti HOZELOCK ilmoittaa, että seuraavat Hozelock-paineruiskut: STANDARD 10L (viite 4232) ovat seuraavien direktiivien tärkeiden terveys- ja turvallisuusvaatimusten mukaisia: Koneturvallisuudirektiivi 2006/42/EC ja sen muutetut direktiivit, mukaan lukien 2009/127/EC.

DK BRUGERVEJLEDNING

Den originale vejledning er skrevet og godkendt på fransk. Alle andre sprog er oversættelser af originalen. Hvis der er konflikt, unøjagtigheder eller afvigelser mellem den franske vejledning og vejledningen på andre sprog, er det den franske version, der er gældende.



ANVENDELSESOMRÅDE

Dette redskab er udelukkende fremstillet til brug med HAVEPRODUKTER (svampedræbende, ukrudsdræbende, insektdræbende).

I tvivlstilfælde er det ABSOLUT NØDVENDIGT at rådføre sig med KONSTRUKTØREN.

VIGTIGT: Dette redskab må ikke indeholde eller sprøjte produkter med klor, opløsningsmidler, produkter på basis af acetone og syre, klorid, vaskemidler eller desinficerende midler.

MONTERING

- Monter slangen på beholderen (fig. 11).
- Monter slangen på håndtaget (fig. 11).
- Monter clipsen på sprøjtelansen (fig. 11).
- Monter de to møtrikker på sprøjtelansen (fig. 11)
- Monter dysen på sprøjtelansen og røret på håndtaget (fig. 11).
- Monter bæreselen (fig. 12).
- Saml ekstraudstyret, afhængigt af modellen (fig. 14).
- Henstilling af lansen efter brug (fig. 13)

SIKKERHEDSREGLER

- Sprøjtet skal anvendes i henhold til de lokale/nationale bestemmelser. Brugsanvisningen gør det ud for lærebog.
- En sprøjte er et redskab under tryk, som kan udgøre en risiko for eksplosion, med udsprøjtning af væske til følge, hvis påbuddene i denne vejledning ikke overholdes. I tvivlstilfælde kontaktes konstruktøren.
- Denne sprøjte er udstyret med en sikkerhedsventil, der er kalibreret efter trykket, der er præget på ventilen eller beholderen, og som begrænser trykket inde i beholderen.
- Det anbefales at:
 - Ventilen på dette redskab aldrig afmonteres.
 - Ventilens funktion ikke bliver forhindret.
- For din sikkerheds skyld skal den altid være i perfekt driftstilstand.
- Før hver tryksætning skal det kontrolleres, at ventilen fungerer perfekt: Løft den manuelt, og

slip den herefter. Den skal straks gå tilbage til sin oprindelige position. Hvis det ikke er tilfældet, må redskabet ikke tryksættes.

- Dette redskab er udstyret med en afbryder på håndtaget, som afbryder forsyningen til sprøjtelansen, så snart afbryderen ikke holdes inde, med henblik på at undgå enhver form for kontaminering af operatøren og miljøet i en nødsituation.
- Afmonter aldrig et element på sprøjten uden først at have fjernet trykket.
- I tilfælde af nedbrud, må der ikke udføres afhjælpning i sprøjteområdet. Fjern trykket fra redskabet, og udfør udbedring af redskabet på et passende sted for at undgå enhver kontaminering.
- Kontroller, at redskabet fungerer korrekt ved at kontrollere tætheden ved brug af nogle liter vand i beholderen.
- Redskabet må ikke anvendes og opbevares ved temperaturer under 5°C og over 40°C (fig. 2 og 3).
- Opløsningen, der skal sprøjtes med, må ikke overstige 25° C (fig. 4).
- Brug ikke eksplosive, syreholdige og/eller korroderende produkter i sprøjten (fig. 5 og 6)
- Sprøjt ikke i retning af åben ild eller varmekilder. Brug kun sprøjten i stille vejr (ideelt uden vind) og ved at rette sprøjtestrålen i vindens retning for at undgå kontaminering af brugeren.
- For at undgå for stor spredning, skal der sprøjtes så tæt som muligt på det område, der skal behandles og uden vind.
- Pas på miljøet, spred kun dér, hvor der skal behandles.
- Bær beskyttelsesbeklædning, beskyttelseshandsker, sikkerhedsbriller og en beskyttelsesmaske ved enhver håndtering af sprøjten: påfyldning, spredning, rengøring, skift af produkt, vedligeholdelse (fig. 7).
- Hold andre personer og husdyr i rimelig afstand under sprøjtningen (fig. 8).
- Ryg, drik og spis ikke under brugen.
- Dette redskab må ikke anvendes, hvis du er træt, syg eller under påvirkning af alkohol, stoffer eller medicin.
- Af sikkerhedsgrunde må denne sprøjte må ikke slutes til andet udstyr. Den må kun anvendes med originale dele eller tilbehør fra HOZELOCK. Alle sprøjtes dele udgør et hele og medvirker til dens gode drift og redskabets og dermed brugerens sikkerhed.

DRIFT

- Overhold fabrikantens anvisninger for behandlingsprodukterne (dosering, anvendelsesmåde, skylning).
- Klargør kun den produktmængde, der er strengt nødvendig, og kun til én påføring.
- Doseringen er nem takket være den synlige doseringsinddeling på beholderen. Beholderen er tilstrækkelig gennemsigtig til, at væskniveauet er synligt set udefra.
- Klargøring af opløsningen der skal sprøjtes:
 - a) Produkt i pulverform (opløseligt eller sprøjtepulver): Klargør i en spand, før det overføres i beholderen gennem påfyldningshullet.
 - b) Flydende produkt (skal fortyndes i vand): Hæld 1 til 2 liter vand i beholderen, hæld dosen af det flydende produkt i, og fyld efter med vand til den ønskede kvalitet.

Under brug

- Påfyldningsdækslet til beholderen eller pumpen, alt efter redskabet, skrues på i hånden (fig. 15).
- Pump for at sætte under tryk, indtil udløsning af ventilen (så snart et pust luft sende ud) (fig. 16).
- Tryksæt kun sprøjten ved brug af pumpen, som den er udstyret med.
- Sprøjt ved at trykke på håndtagets afbryder (fig. 17).
- Fortsæt med indstilling af strålen ved at dreje dysen i begge retninger (Fig. 18).
- EKSTRAUDSTYR (afhængigt af modellen): 1 bar-trykregulatoren leverer et konstant sprøjtetryk. Som følge heraf: Finder sprøjtningen sted ved konstant tryk, også selv om sprøjten er indstillet til et højere tryk end dette. Sprøjtningen stopper, når sprøjte trykket falder til under designtrykket (vær forsigtig, der er stadig resttryk i beholderen). Pump igen for at sætte redskabet under tryk.
- Der kan fås et udvalg af tilbehør for at sikre en behandling afpasset efter de forskellige brugsmåder (sprøjtebom til ukrudtbekæmpelse, teleskopisk lanse, tragt til ukrudtbekæmpelse, ...) (fig. 14).

Se vores hjemmeside på www.hozelock.com

Efter brug/rengøring

- Efter hver brug:
- Fjern resttrykket, der kan være i redskabet ved at aktivere sikkerhedsventilen. Dette gøres ved at trække i den eller trykke på den, hvad der nu er tilfældet, eller ved at sprøjte, indtil der ikke er mere tryk.
 - Undgå risiko for forurening ved at op- eller

indsamle ikke anvendt produkt og produktets emballage.

- Vask hænder og ansigt i rent vand efter brug af sprøjten.
- Sprøjten må aldrig henstilles, når den er tryksat.
- Der må aldrig opbevares behandlingsprodukt inde i sprøjten.
- Opbevar sprøjten på et beskyttet sted uden for børns rækkevidde.
- Rengør filteret i håndtaget og indsugningsfilteret i beholderen, hvis sprøjten er udstyret hermed (fig. 21).
- Hvis du sprøjter, indtil der viser sig luft i strålen: Fjern resttrykket, der kan være i sprøjten ved at aktivere sikkerhedsventilen (fig. 19), eller sprøjt, indtil der ikke er mere tryk. Restmængden, der ikke kan udsprøjtes, er under 250 ml.
- Før henstilling og før enhver brug med et andet behandlingsprodukt, skal der udføres en skylning, dvs. tilføjes 1 liter vand til fortynding i beholderen, bland godt og brug til at få skyllet alle redskabets komponenter. Denne skylning skal udføres uden at afmontere det tilbehør, der er anvendt under behandlingen. Denne skylleblanding må under ingen omstændigheder kastes kloakken, men skal udsprøjtes på det terræn, der allerede er blevet behandlet.
- Skylningen gentages flere gange før henstilling for vinteren.
- Skylning af sprøjte udstyret med trykregulator: Hæld 1 liter vand i sprøjten, sæt under tryk, og sprøjt i en dertil velegnet beholder, indtil al væsken er udtømt, og der kommer luft ud af dysen. Brug tryksikkerhedsventilen til at fjerne det resterende tryk i sprøjten (fig. 19).
- Inden brug igen, også hvis det er straks, med en anden opløsning til sprøjtning, skal skylningen gentages 3 gange.
- Inden brug igen, også hvis det er straks, med det samme behandlingsprodukt eller med et andet behandlingsprodukt, skal du kontrollere, at sprøjten fungerer, som den skal (især ventilen)

VEDLIGEHOLDELSE / SERVICE

Periodisk ved start efter vinteren og flere gange i løbet af sæsonen smøres alle samlinger med smørefedt (med en silikone smørefedt til sprøjter), og det skal kontrolleres, at sprøjten fungerer, som den skal (især ventilen).

- Rengør dysen og dyseholderen (fig. 20)
- Rengør lansen filter (fig. 21).
- Afmonter pumpen (fig. 22)
- Smør med smørefedt, eller udskift ventilen og samlingerne (fig. 22 A, B, C, D)
- Sprøjten er udstyret med en beholder der modstår UV-stråling.

PROBLEMER / AFHJÆLPNINGER

Problemer	Afhjælpninger
Svag eller ingen sprøjtning	Kontroller, at alle samlinger er godt strammet til.
	Kontroller, at alle samlinger er smurte og rene og ikke er beskadigede eller slidte Udskift dem om nødvendigt (kontakt forbrugerservice).
	Rengør dysen og filtrene.
Sprøjtningen er ikke lige	Rengør dysen.
Udsivninger	Kontroller, at alle samlinger er godt strammet til.
	Kontroller, at alle samlinger er smurte og rene og ikke er beskadigede eller slidte Udskift dem om nødvendigt (kontakt forbrugerservice).
Sikkerhedsventilen er defekt	FARE: Redskabet må ikke mere sættes under tryk. Kontakt forbrugerservicen.

GARANTI

Udvidelse af kontraktlig garanti

Der er 3 års garanti på vores produkter. Ved mangel på bevis for købsdatoen af produkterne, gives den korte garanti at regne fra produktets fremstillingsdato (vises i bunden af produktet) (fig. 23).

Kontraktgarantien dækker ikke i følgende tilfælde:

- Normalt slid på sliddele: Samlinger, klapventiler, håndtag, dyse, slanger, bæresele og greb,
- Produkter, hvis brug ikke er i overensstemmelse med de tekniske anbefalinger,
- Produkter, som er blevet misbrugt,
- Produkter, der ikke er blevet jævnligt vedligeholdt,
- Forringelse af produktet (slag, fald, knusning osv.) der stammer fra forsømmelighed, ikke korrekt vedligeholdelse, forkert brug eller unormal brug af produktet,
- Udskiftning af en komponent, som følge af tab af sprøjtens komponent.

Garantiens funktionsmåde

Kontakt vores forhandler for at aktivere din garanti.

Vi beder dig om at opbevare købsbeviset (en læselig faktura eller en kassebon), som du bliver bedt om at fremvise i tilfælde af aktivering af den kontraktlige garanti.

Et produkt under garantien, der er blevet repareret eller erstattet, er under garanti i den resterende garantiperiode og under de oprindelige betingelser for den kontraktlige garanti, der blev givet ved købet.

Ethvert produkt, der returneres, er HOZELOCK's ejendom, når det er blevet erstattet af et nyt produkt.

EU-OVERENSSTEMMELSESERK-LÆRING

I henhold til BS EN ISO/IEC 17050-1:2004 erklærer HOZELOCK hermed, at følgende Hozelock tryksprøjte: STANDARD 10L (reference 4232) er i overensstemmelse med de væsentligste krav for sundhed og sikkerhed i følgende direktiver: Maskindirektivet 2006/42/EF og dets reviderende direktiver inklusive 2009/127/EF.

I AVVERTENZE PER L'USO

Il manuale originale è stato scritto e approvato in francese. Tutte le altre lingue sono traduzioni dell'originale. In caso di conflitto, imprecisioni o discrepanze tra la versione francese e quelle tradotte, fa fede la versione francese.



CAMPO D'APPLICAZIONE

Questo apparecchio è concepito esclusivamente per l'applicazione di prodotti da GIARDINO (fungicidi, erbicidi, insetticidi).

In caso di dubbi è **OBBLIGATORIO** consultare il **CONSTRUTTORE**.

ATTENZIONE: Questo apparecchio non deve contenere o polverizzare i prodotti clorati, dei solventi, i prodotti a base di acetone ed a base acida, la candeggina, i prodotti detersivi ed i disinfettanti.

MONTAGGIO

- Montare i tubi sul serbatoio (**fig. 11**).
- Montare i tubi sull'impugnatura (**fig. 11**).
- Montare la clip sul tubo della lancia (**Fig. 11**).
- Montare i due dadi sul tubo della lancia (**Fig. 11**).
- Montare l'ugello sul tubo della lancia e il tubo sull'impugnatura (**fig. 11**).
- Montare la bretella di trasporto (**fig. 12**).
- Possibilità di montare attrezzature opzionali, a seconda del modello (**Fig. 14**).
- Sistemazione della lancia dopo l'utilizzo (**fig. 13**).

REGOLE DI SICUREZZA

- Il polverizzatore deve essere utilizzato conformemente ai regolamenti locali/nazionali. Le avvertenze per l'uso fungono da formazione.

- Un polverizzatore è un apparecchio sotto pressione che può presentare dei rischi d'esplosione con proiezione di liquido se le raccomandazioni contenute in queste avvertenze non sono rispettate. In caso di dubbi consultare il costruttore.

- Questo polverizzatore è equipaggiato con una valvola di sicurezza tarata alla pressione riportata sulla valvola o sul serbatoio, che limita la pressione all'interno del serbatoio.

Si raccomanda quanto segue:

- Non smontare mai la valvola dal suo apparecchio.
- Non ostacolare il funzionamento della valvola.
- Per la propria sicurezza, essa deve essere mantenuta in perfetto stato di funzionamento.

- Prima di ogni messa in pressione, verificare il corretto funzionamento della valvola: sollevarla manualmente poi rilasciarla. Essa deve ritornare istantaneamente alla sua posizione iniziale. Se ciò non avviene, non mettere l'apparecchio in pressione.

- L'apparecchio è dotato di un interruttore sull'impugnatura che permette di interrompere l'alimentazione della lancia quando l'interruttore non è più premuto.

Questo evita la contaminazione dell'operatore e dell'ambiente in caso di emergenza.

- Non smontare mai un elemento del polverizzatore senza avere tolto in precedenza la pressione.

- In caso di guasto, non effettuare la riparazione in mezzo al campo. Depressurizzare il dispositivo e intervenire in un luogo adatto per evitare qualsiasi contaminazione.

- Accertarsi del corretto funzionamento dell'apparecchio, verificando le tenute con qualche litro d'acqua nel serbatoio.

- L'apparecchio non deve essere utilizzato e conservato a temperature inferiori a 5°C e superiori a 40°C (**Fig. 2 e 3**).

- La soluzione da polverizzare non deve superare i 25°C (**fig. 4**).

- Non utilizzare dei prodotti esplosivi, acidi e/o corrosivi nel polverizzatore (**fig. 5 e 6**).

- Non polverizzare in direzione di fiamme o fonti di calore.

- Eseguire i trattamenti idealmente solo con condizioni climatiche calme (senza vento). Altrimenti dirigere il getto della polverizzazione nella direzione del vento per evitare di contaminare l'operatore.

- Per evitare la dispersione, polverizzare il più vicino possibile alla zona da trattare e in assenza di vento.

- Preservare l'ambiente, polverizzare solo sulle superfici da trattare.

- Indossare dei vestiti di protezione, dei guanti di protezione, degli occhiali di protezione e una maschera di protezione per qualsiasi manipolazione del polverizzatore: riempimento, polverizzazione, pulizia, sostituzione del prodotto, manutenzione (**fig. 7**).

- Tenere terze persone e animali domestici a distanza ragionevole durante la polverizzazione (**fig. 8**).

- Non fumare, bere o mangiare durante l'utilizzo.

- Questo apparecchio non deve essere utilizzato in caso di stanchezza, malattia, sotto l'effetto di alcool, droga o farmaci.

- Per ragioni di sicurezza il polverizzatore non deve essere collegato a un altro dispositivo. Deve essere usato solo con i pezzi originali o gli accessori HOZELOCK. Tutti i pezzi del polverizzatore partecipano al corretto funzionamento e alla sicurezza dell'apparecchio e dell'utilizzatore.

FUNZIONAMENTO

- Rispettare le istruzioni del fabbricante dei prodotti di trattamento (dosaggio, modo di applicazione, risciacquo).

- Preparare solamente la quantità di prodotto strettamente necessaria e per una sola applicazione.

- Il dosaggio è facilitato dalla graduazione visibile sul serbatoio. Livello di liquido nella vaschetta visibile in trasparenza.

- Preparazione della soluzione da polverizzare:

a) Prodotto in polvere (solubile oppure bagnabile): preparare la soluzione in un secchio prima di travasarla nel serbatoio attraverso il foro di riempimento.

b) Prodotto a base liquida (da diluire in acqua): mettere da 1 a 2 litri d'acqua nel serbatoio, versare la dose di prodotto liquido, quindi rabboccare con acqua fino alla quantità desiderata.

Durante l'uso

- Avvitare manualmente la pompa sul serbatoio (fig. 15).

- Pompate per mettere in pressione fino allo scatto della valvola (fino a che non viene espulso un soffio d'aria) (fig. 16).

- Eseguire la messa in pressione del polverizzatore esclusivamente mediante la pompa della quale è equipaggiato.

- Polverizzare premendo sull'interruttore dell'impugnatura (fig. 17).

- Procedere alla regolazione del getto ruotando l'ugello nei due sensi (Fig. 18).

ATTREZZATURA OPZIONALE (a seconda del modello): il regolatore di pressione da 1 bar assicura una pressione di spruzzatura costante. Pertanto: La spruzzatura avviene ad una pressione costante, anche qualora lo spruzzatore sia impostato su valori di pressione superiori a questo. La spruzzatura termina quando la pressione scende al di sotto del valore impostato (attenzione alla presenza di pressione residua nel serbatoio!). Pompate di nuovo per pressurizzare l'apparecchiatura.

- È disponibile una gamma di accessori per assicurare un trattamento adatto ai diversi utilizzi (barra per diserbo, lancia telescopica, paraspruzzi...) (fig. 14).

Vedere il sito internet www.hozelock.com

Dopo l'uso/Pulizia

Dopo ogni utilizzo:

- Eliminare la pressione residua che può permanere nell'apparecchio azionando la valvola di sicurezza, tirandola o spingendola a seconda dei casi, oppure polverizzando fino a quando non vi è più pressione.

- Evitare i rischi di inquinamento recuperando il prodotto non utilizzato, così come il suo imballaggio.

- Lavarsi le mani ed il viso con l'acqua dopo l'utilizzazione del polverizzatore.

- Non riporre mai il polverizzatore in pressione.

- Non conservare mai il prodotto di trattamento all'interno del polverizzatore.

- Riporre il polverizzatore in un luogo riparato, fuori della portata dei bambini.

- Pulire il filtro dell'impugnatura ed il filtro d'aspirazione nel serbatoio, se il polverizzatore ne è dotato (fig. 21).

- Se si polverizza fino all'apparizione di aria nel getto: eliminare la pressione residua che può essere rimasta nel polverizzatore azionando la valvola di sicurezza (fig. 19), oppure polverizzando fino a quando non vi è più pressione. Il volume residuo di liquido è inferiore a 250 ml.

- Prima di riporlo e prima di qualsiasi altra utilizzazione con un altro prodotto per trattamenti, effettuare un risciacquo aggiungendo 1 litro di acqua nel serbatoio per diluire, mescolare bene e far funzionare per sciacquare l'insieme dei componenti del polverizzatore. Questa operazione di risciacquo va effettuata senza smontare gli accessori utilizzati durante il trattamento. Questa miscela di risciacquo non deve in nessun caso essere versata negli scarichi, ma essere polverizzata all'esterno sul terreno già trattato.

- Ripetere l'operazione più volte prima dello stoccaggio invernale.

- Risciacquo con spruzzatore dotato di regolatore di pressione: versare 1 litro d'acqua nello spruzzatore, pressurizzare e spruzzare in un contenitore idoneo fino a che tutto il liquido è stato rimosso e dall'ugello esce solo acqua. Per scaricare la pressione residua, utilizzare la valvola di sicurezza per il rilascio della pressione (fig. 19).

- Prima di qualsiasi altra utilizzazione, anche nell'immediato, con un'altra soluzione da polverizzare, ripetere per 3 volte di seguito l'operazione di risciacquo.

- Prima di qualsiasi altra utilizzazione, anche nell'immediato, con lo stesso prodotto per trattamenti o con un altro prodotto per trattamenti, verificare il corretto funzionamento del polverizzatore (in particolare della valvola).

MANUTENZIONE / CURA

Periodicamente, al riavvio dopo lo stoccaggio invernale e più volte per stagione, eseguire l'ingrassaggio di tutti i giunti (con un grasso al silicone per polverizzatore), e verificare il corretto funzionamento del polverizzatore (particolarmente la valvola).

- Pulire l'ugello e il porta-ugelli (fig. 20)
- Pulire il filtro della lancia (fig. 21)
- Smontare la pompa (fig. 22)
- Lubrificare o sostituire la valvola e i giunti (fig. 22 A, B, C, D)
- Il polverizzatore è dotato di un serbatoio che resiste ai raggi UV.

PROBLEMI / SOLUZIONI

Problemi	Soluzioni
Polverizzazione scarsa o assente	Accertarsi che tutti i raccordi siano stretti bene.
	Accertarsi che tutti i giunti siano lubrificati e puliti, e non siano danneggiati o usurati. Sostituirli se necessario (contattare il servizio clienti).
	Pulire l'ugello e i filtri.
La polverizzazione non è dritta	Pulire l'ugello.
Perdite	Accertarsi che tutti i raccordi siano stretti bene.
	Accertarsi che tutti i giunti siano lubrificati e puliti, e non siano danneggiati o usurati. Sostituirli se necessario (contattare il servizio clienti).
Valvola di sicurezza difettosa	PERICOLO: Non mettere più l'apparecchio sotto pressione. Contattare il servizio clienti.

GARANZIA

Estensione della garanzia contrattuale

Garantiamo i nostri prodotti per una durata di 3 anni. In mancanza della prova della data d'acquisto dei prodotti, la garanzia decorre a partire dalla data di fabbricazione del prodotto (indicata sotto al prodotto) (Fig. 23).

La garanzia contrattuale non viene applicata per i seguenti casi:

- I componenti soggetti a usura normale: giunti, valvole, impugnatura, ugello, tubi, cinghie di trasporto, biella e leva,
- I prodotti che vengono utilizzati non conformemente alle raccomandazioni tecniche
- I prodotti dei quali si è fatto un uso abusivo,
- I prodotti che non sono stati sottoposti a manutenzione regolare,
- I deterioramenti del prodotto (urti, cadute, schiacciamenti, ecc.) derivanti da negligenza, mancanza di manutenzione, utilizzazione difettosa o anormale del prodotto,
- La sostituzione di un componente a seguito della perdita di un componente del polverizzatore.

Funzionamento della garanzia

Contattare il proprio rivenditore per far valere la garanzia.

Chiediamo di conservare la prova d'acquisto (fattura o scontrino leggibile) che sarà richiesta in caso di esecuzione della garanzia contrattuale.

Un prodotto in garanzia che è stato riparato o sostituito resta garantito per la durata restante alle condizioni iniziali della garanzia contrattuale concessa al momento dell'acquisto.

I prodotti restituiti diventano proprietà di HOZELOCK quando sono sostituiti da un prodotto nuovo.

DICHIARAZIONE DI CONFORMITÀ UE

In conformità con BS EN ISO/IEC 17050-1:2004 HOZELOCK dichiara che il seguente spruzzatore a pressione Hozelock: STANDARD 10L (riferimento 4232) È conforme ai requisiti essenziali di sicurezza e di tutela della salute delle seguenti direttive: Direttiva Macchine 2006/42/CE, come modificata dalla direttiva 2009/127/CE.

P **MANUAL DE UTILIZAÇÃO**

O manual original foi escrito e aprovado em Francês. Todos os outros idiomas são traduções do original. Na eventualidade de conflito, imprecisões ou divergências entre o Francês e os outros idiomas, prevalecerá a versão francesa.



DOMÍNIO DE APLICAÇÃO

Este aparelho foi concebido exclusivamente para a aplicação dos produtos de JARDIM (fungicidas, herbicidas, inseticidas).

Em caso de dúvida, é IMPERATIVO consultar o FABRICANTE.

ATENÇÃO: Este aparelho não deve conter nem pulverizar produtos clorados, solventes, produtos à base de acetona e base ácida, lixívia, detergentes para a roupa e desinfetantes.

MONTAGEM

- Montar a tubagem sobre o depósito (fig. 11).
- Montar a tubagem sobre o punho (fig. 11).
- Montar o clipe no tubo da lança (fig. 11).
- Montar as duas porcas no tubo da lança (fig. 11).
- Montar o bico sobre o tubo da lança e o tubo sobre o punho (fig. 11).
- Montar a alça de transporte (fig. 12).
- Dependendo do modelo, montar o equipamento opcional (Fig. 14).
- Arrumação da lança após a utilização (fig. 13)

REGRAS DE SEGURANÇA

- O pulverizador deve ser utilizado de acordo com as regulamentações locais / nacionais. O manual de utilização serve para a formação.

- Um pulverizador é um aparelho sob pressão que pode apresentar riscos de explosão, com a projeção de líquido, se não forem respeitadas as instruções constantes neste manual. Em caso de dúvida, consulte o fabricante.

- Este pulverizador está equipado com uma válvula de segurança tarada à pressão inscrita na válvula ou no depósito, que limita a pressão dentro do depósito.

É recomendado:

- Nunca desmontar a válvula do seu aparelho.
- Nunca perturbar o funcionamento da válvula.
- Para sua segurança, a válvula deverá ser mantida em perfeito estado de funcionamento.

- Antes de cada colocação sob pressão, verificar o funcionamento correto da válvula: levantá-la manualmente e soltá-la. Ela deverá voltar instantaneamente à sua posição inicial. Se assim não for, não coloque o aparelho sob pressão.

- Este aparelho está equipado com um interruptor no punho, que permite cortar a alimentação da lança desde que o interruptor deixa de ser mantido, de maneira a evitar qualquer contaminação do operador e do ambiente em caso de emergência.

- Nunca desmontar um elemento do pulverizador, sem ter cortado previamente a pressão.

- Em caso de problema, não efetuar a reparação em pleno campo. Despressurizar o aparelho e intervir num local adequado para evitar qualquer contaminação.

- Assegurar-se que o aparelho funciona corretamente verificando as estanqueidades com alguns litros de água no depósito.

- O aparelho não deve ser utilizado a temperaturas inferiores a 5°C e superiores a 40°C (Fig. 2 e 3).

- A solução a pulverizar não deverá exceder 25°C (Fig. 4).

- Não utilizar produtos explosivos, ácidos e/ou corrosivos no pulverizador (Fig. 5 et 6).

- Não pulverizar na direção de chamas ou de fontes de calor.

- Tratar apenas, idealmente, com tempo calmo (sem vento) ou senão, dirigir o jato de pulverização no sentido do vento para evitar de contaminar o operador.

- Para evitar a deriva, pulverizar o mais perto possível da zona a tratar e sem vento.

- Preservar o meio ambiente, apenas pulverizar as superfícies a tratar.

- Usar roupas de proteção, luvas de proteção, óculos de proteção e uma máscara de proteção para toda manipulação do pulverizador: enchimento, pulverização, limpeza, mudança de produto, conservação (Fig. 7).

- Manter terceiros e animais domésticos a uma distância razoável durante a pulverização (Fig. 8).

- Não fumar, beber nem comer durante a utilização.

- Este aparelho não deve ser utilizado em caso de fadiga, doença, sob a influência de álcool, drogas ou medicamentos.

- Este pulverizador não deve ser conectado a um outro equipamento por razões de segurança. Deve ser utilizado unicamente com as peças de origem ou os acessórios HOZELOCK. Todas as peças do pulverizador participam ao bom funcionamento e à segurança do aparelho e do utilizador.

FUNCIONAMENTO

- Respeitar as instruções do fabricante de produtos de tratamento (dosagem, modo de aplicação, lavagem).
- Preparar apenas a quantidade de produto estritamente necessária e para uma única aplicação.
- A dosagem é facilitada com a graduação visível no depósito. Nível de líquido no recipiente visível por transparência.
- Preparação da solução para pulverizar.
 - a) Produto em pó (solúvel ou molhável): preparar a solução num balde antes de a verter no depósito pelo orifício de enchimento.
 - b) Produto de base líquida (a diluir em água): colocar 1 a 2 litros de água no depósito, verter a dose de produto líquido, e depois completar com a quantidade desejada de água.

Na utilização

- Aparafusar manualmente a bomba no depósito (Fig. 15).
- Bombear para colocar em pressão até a válvula disparar (quando houver a expulsão de ar) (Fig. 16).
- Fazer a pressurização do pulverizador exclusivamente através da bomba que o equipa.
- Pulverizar premindo o interruptor do punho (Fig. 17).
- Proceder à regulação do jato, girando o bico nos dois sentidos (Fig. 18).
- EQUIPAMENTO OPCIONAL (dependendo do modelo): o regulador de pressão de 1 bar fornece uma pressão constante de pulverização. Portanto: A pulverização é realizada a uma pressão constante, mesmo que o pulverizador seja ajustado a uma pressão superior a esta. A pulverização para quando a pressão do pulverizador desce abaixo da pressão especificada (tenha cuidado, ainda existe uma pressão residual no depósito). Bombear novamente para pressurizar o aparelho.
- Uma gama de acessórios está disponível para assegurar um tratamento adaptado às diferentes utilizações (rampa de monda, lança telescópica, tampa de monda...) (Fig. 14).
Ver o site internet www.hozelock.com

Após a utilização / Limpeza

Após cada utilização:

- Eliminar a pressão residual que possa subsistir no aparelho, acionando a válvula de segurança, puxando ou empurrando a mesma consoante o caso, ou pulverizando até que não tenha mais pressão.
- Evitar os riscos de poluição recuperando o produto não utilizado, bem como a sua embalagem.

- Lavar as mãos e o rosto com água limpa após a utilização do pulverizador.
 - Nunca guardar o pulverizador sob pressão.
 - Nunca conservar o produto de tratamento no interior do pulverizador.
 - Colocar o pulverizador num local fechado, fora do alcance de crianças.
 - Limpar o filtro do punho e o filtro de aspiração no depósito, se o pulverizador estiver equipado (Fig. 21).
 - Se pulverizar até aparecer ar dentro do jato: elimine a pressão residual que possa subsistir no pulverizador acionando a válvula de segurança (Fig. 19) ou pulverize bem até não haver mais pressão. O volume residual do líquido é inferior a 250 ml.
 - Antes de guardar e antes de qualquer outra utilização com outro produto de tratamento, efetuar uma operação de enxaguamento, ou seja, juntar 1 litro de água para diluir no depósito, misturar bem e deixar funcionar para lavar o conjunto dos componentes do aparelho. Esta operação de lavagem deve ser efetuada sem desmontar os acessórios utilizados no tratamento. Esta mistura proveniente da lavagem não deve em caso algum ser deitada no esgoto, mas sim pulverizada no exterior sobre o terreno já tratado.
 - Repetir a operação várias vezes antes da invernada.
 - Lavagem com pulverizador equipado com regulador de pressão: adicionar 1 litro de água no pulverizador, pressurizar e pulverizar dentro de um recipiente adequado até que todo o líquido tenha sido evacuado e saia ar pelo bocal. Para descarregar a pressão restante no pulverizador, utilizar a válvula de alívio da pressão (Fig. 19).
- Recuperar o eventual excedente de produto e enxaguar novamente o pulverizador como acima indicado.
- Antes de qualquer nova utilização, mesmo que imediata, com uma solução de pulverização diferente, repetir 3 vezes de seguida a operação de enxaguamento.
 - Antes de qualquer outra utilização, mesmo que seja imediata, com o mesmo produto de tratamento ou com outro produto de tratamento, verificar o bom funcionamento do pulverizador (particularmente, da válvula).

MANUTENÇÃO / CONSERVAÇÃO

Periodicamente, ao reiniciar após a invernoada e várias vezes por temporada, lubrificar todas as juntas (com massa de silicone para pulverizador) e verificar o bom funcionamento do pulverizador (particularmente a válvula).

- Limpar o bico e o porta-bico (fig. 20)
- Limpar o filtro da lança (fig. 21)
- Desmontar a bomba (fig. 22)
- Lubrificar ou substituir a válvula e as juntas (fig. 22 A, B, C, D)
- O pulverizador está equipado com um reservatório resistente à radiação UV.

- As peças de desgaste normal: juntas, válvulas, punho, bico, tubos, precintas de portabilidade, biela e alavanca,

- Produtos utilizados contra as recomendações técnicas.

- Os produtos dos quais é feita uma utilização abusiva;
- Os produtos que não são sujeitos a uma manutenção regular,
- A degradação do produto (choques, quedas, esmagamento, etc.) proveniente de negligência, falhas na manutenção, utilização defeituosa ou anormal do produto,
- A substituição de um componente, depois de uma perda de um componente do pulverizador.

PROBLEMAS / SOLUÇÕES

Problemas	Soluções
Pulverização fraca ou inexistente	Certificar-se de que todas as uniões estão bem apertadas.
	Certificar-se de que todas as juntas estão lubrificadas e limpas, e não estão deterioradas ou gastas. Substituí-las se necessário (contactar o serviço ao consumidor).
	Limpar o bico e os filtros.
A pulverização não é reta	Limpar o bico.
Fugas	Certificar-se de que todas as uniões estão bem apertadas.
	Certificar-se de que todas as juntas estão lubrificadas e limpas, e não estão deterioradas ou gastas. Substituí-las se necessário (contactar o serviço ao consumidor).
Válvula de segurança defeituosa	PERIGO: Não colocar o aparelho sob pressão. Contactar o serviço ao consumidor.

Funcionamento da garantia

Contacte o seu revendedor para utilizar a sua garantia.

Pedimos-lhe que guarde o seu comprovativo de compra (fatura ou recibo legíveis), que lhe será pedido em caso de utilização da Garantia Contratual.

Um produto sob garantia que foi reparado ou substituído, continua sob a garantia para a duração restante e nas condições iniciais da Garantia Contratual atribuída aquando da compra.

Todos os produtos devolvidos tornam-se propriedade da HOZELOCK quando substituídos por produtos novos.

DECLARAÇÃO DE CONFORMIDADE UE

De acordo com a BS EN ISO/IEC 17050-1:2004 a HOZELOCK declara que os seguintes Pulverizadores sob Pressão da Hozelock: STANDARD 10L (referência 4232)

Cumprem as exigências essenciais de saúde e segurança das seguintes Diretivas: Diretiva Máquinas 2006/42/EC e suas diretivas de modificação, incluindo a 2009/127/EC.

GARANTIA

Extensão da garantia contratual

Garantimos os nossos produtos durante um período de 3 anos. Na falta do comprovativo da data de compra dos produtos, a Garantia conta a partir da data de fabrico do produto (indicada sob o produto) (Fig. 23).

A garantia contratual não se aplica nos casos seguintes:

PL INSTRUKCJA OBSŁUGI

Oryginalna instrukcja została napisana i zatwierdzona w języku francuskim. Wszystkie pozostałe języki są tłumaczeniami oryginału. W przypadku konfliktu, niedokładności lub rozbieżności między wersją w języku francuskim a innymi językami, wersja francuska będzie rozstrzygająca.



ZAKRES ZASTOSOWANIA

Urządzenie zostało zaprojektowane wyłącznie do rozpylania produktów OGRODNICZYCH (grzybobójczych, chwastobójczych, owadobójczych).

W razie jakichkolwiek wątpliwości należy **OBOWIĄZKOWO** zwrócić się do PRODUCENTA.

UWAGA: Urządzenie nie może zawierać ani rozpylać środków zawierających chlor, rozpuszczalników, środków na bazie acetonu i kwasu, wody z Javel (wody chlorowanej), środków zawierających proszki do prania i środków dezynfekcyjnych.

MONTAŻ

- Zamontować przewód rurowy do zbiornika (**Rys. 11**).
- Zamontować przewód rurowy do uchwytu (**Rys. 11**).
- Założyć zapinkę na rurkę lancy (**Rys. 11**).
- Założyć dwie nakrętki na rurkę lancy (**Rys. 11**).
- Założyć dyszę na rurkę lancy i rurkę na uchwyt (**Rys. 11**).
- Założyć szelki do przenoszenia (**Rys. 12**).
- W zależności od modelu, należy zamontować wyposażenie opcjonalne (**Rys. 14**).
- Mocowanie lancy po użyciu (**Rys. 13**)

PRZEPISY BEZPIECZEŃSTWA

- Opryskiwacz powinien być używany zgodnie z obowiązującymi przepisami lokalnymi / krajowymi. Instrukcja obsługi odpowiada przeszkoleniu.
- Opryskiwacz jest urządzeniem ciśnieniowym, który w przypadku nieprzestrzegania zaleceń podanych w niniejszej instrukcji może powodować ryzyko wybuchu z rozpyleniem płynu. W razie jakichkolwiek wątpliwości należy zwrócić się do producenta.
- Opryskiwacz jest wyposażony w zawór bezpieczeństwa wyregulowany na ciśnienie podane na zaworze lub na zbiorniku, który ogranicza ciśnienie wewnątrz zbiornika.

Zalecenia:

- Nigdy nie demontować zaworu z urządzenia.
- Nie zakłócać działania zaworu.
- Dla zapewnienia bezpieczeństwa musi on być zawsze całkowicie sprawny.
- Przed każdym zwiększeniem ciśnienia sprawdzić prawidłowe działanie zaworu: unieść go ręcznie, a następnie zwolnić. Musi on natychmiast powrócić do położenia początkowego. W przeciwnym razie nie podnosić ciśnienia w urządzeniu.
- Urządzenie jest wyposażone w przełącznik na uchwycie, który pozwala na odcięcie zasilania lancy, kiedy tylko przełącznik nie jest dłużej wciskany, aby uniknąć zanieczyszczenia operatora i środowiska w przypadku awarii.
- Nigdy nie demontować jakiegokolwiek elementu opryskiwacza, który jest jeszcze pod ciśnieniem.
- W przypadku awarii nie należy rozwiązywać problemów na polu uprawnym. Usunąć ciśnienie z urządzenia i wykonać prace w odpowiednim miejscu, aby uniknąć zanieczyszczenia.
- Upewnić się, czy urządzenie działa prawidłowo, sprawdzając szczelność poprzez wlanie kilku litrów wody do zbiornika.
- Urządzenie nie może być wykorzystywane i przechowywane w temperaturze niższej od 5°C oraz wyższej od 40°C (**Rys. 2 i 3**).
- Temperatura rozpylanego roztworu nie może przekraczać 25°C (**Rys. 4**).
- Nie używać w opryskiwaczu produktów wybuchowych, kwasów ani produktów żrących (**Rys. 5 i 6**).
- Nie rozpylać w kierunku otwartego ognia ani źródeł ciepła.
- W miarę możliwości należy wykonywać opryskiwanie tylko przy spokojnej pogodzie (bez wiatru), a jeśli nie, kierować strumień rozpylający w kierunku wiatru, aby uniknąć zanieczyszczenia operatora.
- Aby uniknąć rozpryskiwania produktu, opryskiwać jak najbliżej obszaru, który tego wymaga, przy bezwietrznej pogodzie.
- Chronić środowisko, rozpylając tylko na powierzchni, które tego wymagają.
- Należy zawsze nosić odzież ochronną, rękawice ochronne, okulary i maskę na twarz podczas wykonywania jakichkolwiek prac z opryskiwaczem: napełnianie, opryskiwanie, czyszczenie, zmiana produktu, konserwacja itd. (**Rys. 7**).
- Osoby trzecie oraz zwierzęta powinny podczas opryskiwania znajdować się w bezpiecznej odległości (**Rys. 8**).
- Podczas opryskiwania nie palić tytoniu, nie spożywać posiłków ani napojów.

- Nie używać urządzenia w przypadku zmęczenia, choroby, pod wpływem alkoholu, narkotyków lub leków.

- Ze względów bezpieczeństwa ten opryskiwacz nie może być podłączany do żadnego innego urządzenia. Należy używać go wyłącznie z oryginalnymi częściami lub akcesoriami firmy HÖZELOCK.

Wszystkie części opryskiwacza przyczyniają się do prawidłowego funkcjonowania i bezpieczeństwa urządzenia oraz użytkownika."

FUNKCJONOWANIE

- Stosować się do zaleceń producenta środków ochronnych (pod względem dawkowania, sposobu nakładania, płukania itd.).

- Każdorazowo przygotowywać tylko taką ilość mieszanki, jaka jest potrzebna do jednorazowego użycia.

- Dozowanie jest łatwe dzięki podziałce znajdującej się na zbiorniku. Poziom cieczy jest widoczny, ponieważ zbiornik jest przezroczysty.

- Przygotowanie roztworu do rozpylania:

a) Produkt w proszku (rozpuszczalny lub mieszalny): przygotować roztwór w wiadrze, a następnie wlać go do zbiornika przez otwór do napełniania.

b) Produkt na bazie płynu (do rozpuszczenia w wodzie): Wlać od 1 do 2 litrów wody do zbiornika, dodać odpowiednią ilość produktu, a następnie dopełnić zbiornik wymaganą ilością wody.

Podczas użytkowania

- W zależności od urządzenia przykręcić ręcznie korek napełniania lub pompę do zbiornika (**Rys. 15**).

- Pompując, zwiększyć ciśnienie do momentu zadziałania zaworu (wyrzutu strumienia powietrza) (**Rys. 16**).

- Naciskając spust na uchwycie, rozpocząć opryskiwanie (**Rys. 17**).

- Obracając dyszę w obu kierunkach, wyregulować strumień (**Rys. 18**).

- WYPOSAŻENIE OPCJONALNE (w zależności od modelu): regulator ciśnienia 1 bar zapewnia stałe ciśnienie opryskiwania. W związku z powyższym: Opryskiwanie odbywa się pod stałym ciśnieniem, nawet jeśli opryskiwacz jest ustawiony na wyższe ciśnienie. Opryskiwanie zatrzymuje się, gdy ciśnienie opryskiwacza spadnie poniżej ciśnienia nominalnego (uwaga, w zbiorniku nadal występuje ciśnienie resztkowe). Należy ponownie napompować, aby zwiększyć ciśnienie w urządzeniu.

- Dostępny jest szereg akcesoriów (rampa do odchwaszczania, lanca teleskopowa, osłona do odchwaszczania...) (**Rys. 14**) zapewniających możliwość wykorzystywania urządzenia do

różnych zastosowań.

Patrz na witrynie internetowej www.hozelock.com

Po użyciu/czyszczenie

Po każdym użyciu:

- Zwolnić ciśnienie resztkowe w urządzeniu, uruchamiając zawór bezpieczeństwa (pociągając go lub naciskając) lub rozpylając aż do momentu zredukowania ciśnienia do zera.

- Unikać zanieczyszczenia środowiska poprzez zebranie niezużytego produktu oraz jego opakowania.

- Po każdym użyciu opryskiwacza umyć ręce i twarz czystą wodą.

- Nigdy nie przechowywać opryskiwacza pod ciśnieniem.

- Nigdy nie przechowywać środków do opryskiwania wewnątrz opryskiwacza.

- Opryskiwacz przechowywać w miejscu zamkniętym, niedostępnym dla dzieci.

- Wyczyścić filtr uchwyty i filtr zasysania w zbiorniku, jeżeli opryskiwacz jest w nie wyposażony.

- W przypadku rozpylania do momentu pojawienia się powietrza w strumieniu (**Rys. 21**): zwolnić ciśnienie resztkowe w opryskiwaczu, uruchamiając zawór bezpieczeństwa (**Rys. 19**) lub rozpylając aż do momentu zredukowania ciśnienia do zera. Objętość resztkowa płynu jest mniejsza niż 250 ml.

- Przed schowaniem oraz przed każdym następnym użyciem z wykorzystaniem innego środka ochronnego wykonać płukanie, tj. wlać 1 litr wody w celu rozcieńczenia pozostałego produktu, dokładnie wymieszać, a następnie uruchomić urządzenie, aby wypłukać wszystkie jego elementy.

Płukanie należy wykonywać bez demontażu akcesoriów używanych podczas opryskiwania. Mieszanki pochodzącej z płukania w żadnym wypadku nie można wylewać do kanalizacji, lecz należy ją rozpryskać na terenie, gdzie już zostało przeprowadzone opryskiwanie.

- Powtórzyć operację kilkukrotnie przed okresem zimowym.

- Płukanie opryskiwacza wyposażonego w regulator ciśnienia: wlać 1 litr wody do opryskiwacza, zwiększyć ciśnienie i rozpylić do odpowiedniego pojemnika, aż cała ciecz zostanie opróżniona i powietrze wydostanie się z dyszy. Aby rozładować pozostałe ciśnienie w opryskiwaczu, należy użyć zaworu bezpieczeństwa (**Rys. 19**).

Przed każdym ponownym użyciem, nawet natychmiastowym, z użyciem innego środka płukanie należy powtórzyć 3-krotnie.

- Przed każdym ponownym użyciem, nawet natychmiastowym, z użyciem tego samego środka należy sprawdzić prawidłowe działanie opryskiwacza (szczególnie zaworu).

KONSERWACJA / UTRZYMANIE

Okresowo, podczas uruchamiania po okresie zimowym oraz kilka razy w sezonie, smarować wszystkie uszczelki (smarem silikonowym do opryskiwaczy) i sprawdzać prawidłowe działanie opryskiwacza (szczególnie zaworu).

- Wyczyścić dyszę i uchwyt dysz (Rys. 20)
- Wyczyścić filtr lancy (Rys. 21)
- Zdemontować pompę (Rys. 22)
- Nasmarować lub wymienić osłonę i uszczelki (Rys. 22 A, B, C, D)
- Opryskiwacz jest wyposażony w zbiornik odporny na promieniowanie UV.

PROBLEMY / ROZWIĄZANIA

Problemy	Rozwiązania
Słabe rozpylanie lub brak rozpylania	Sprawdzić, czy wszystkie złącza są prawidłowo dokręcone.
	Sprawdzić, czy wszystkie uszczelki są posmarowane i czyste oraz czy nie są one uszkodzone lub zużyte. W razie potrzeby wymienić (skontaktować się z działem obsługi klienta).
	Wyczyścić dyszę i filtry.
Rozpylanie nie odbywa się prosto	Wyczyścić dyszę.
Wycieki	Sprawdzić, czy wszystkie złącza są prawidłowo dokręcone.
	Sprawdzić, czy wszystkie uszczelki są posmarowane i czyste oraz czy nie są one uszkodzone lub zużyte. W razie potrzeby wymienić (skontaktować się z działem obsługi klienta).
Uszkodzony zawór bezpieczeństwa	NIEBEZPIECZEŃSTWO: Nie umieszczać urządzenia pod ciśnieniem. Skontaktować się z działem obsługi klienta.

GWARANCJA

Rozszerzenie gwarancji umownej

Nasze produkty są objęte 3-letnią gwarancją. W przypadku braku dowodu zakupu gwarancja wchodzi w życie z dniem produkcji urządzenia (podanym pod urządzeniem) (Rys. 23).

Gwarancja umowna nie obejmuje:

- Części zużywających się: uszczelki, zawory, rączki, dysza, przewody, szelki, drążek i dźwignia,
- Urządzeń, które były wykorzystywane w sposób niezgodny z zaleceniami technicznymi
- Urządzeń nadmiernie eksploatowanych,
- Urządzeń, które nie były regularnie konserwowane,
- Uszkodzeń urządzenia (uderzenia, upadki, zmiżdżenie itp.) wynikających z zaniedbania, błędów konserwacji, szkodliwego lub nieprawidłowego użycia produktu,
- Wymiany w wyniku zagubienia elementów opryskiwacza.

Obowiązywanie gwarancji

Aby skorzystać z gwarancji, należy skontaktować się ze sprzedawcą.

Prosimy o zachowanie dowodu zakupu (faktury lub paragonu), o który zostaną Państwo poproszeni w przypadku skorzystania z gwarancji umownej.

Urządzenie w okresie gwarancyjnym, które zostało naprawione lub wymienione, objęte jest gwarancją na pozostały okres na początkowych warunkach gwarancji umownej przyznanej w momencie zakupu.

Wszystkie urządzenia odesłane i wymienione na urządzenia nowe stają się własnością HOZELOCK.

DEKLARACJA ZGODNOŚCI UE

Zgodnie z normą BS EN ISO/IEC 17050-1:2004 firma HOZELOCK oświadcza, że następujące opryskiwacze ciśnieniowe Hozelock: STANDARD 10L (nr referencyjny 4232) spełniają zasadnicze wymagania dotyczące zdrowia i bezpieczeństwa następujących dyrektyw: Dyrektywa maszynowa 2006/42/WE i dyrektywy, które ją modyfikują, w tym 2009/127/WE.

GR ΟΔΗΓΙΕΣ ΧΡΗΣΗΣ

Το αρχικό εγχειρίδιο συντάχθηκε και εγκρίθηκε στα γαλλικά. Όλες οι άλλες γλώσσες είναι μεταφράσεις του πρωτοτύπου. Σε περίπτωση σύγχυσης, ανακρίβειας ή ασυμφωνίας μεταξύ γαλλικών και άλλων γλωσσών, υπερισχύει η γαλλική έκδοση.



ΤΟΜΕΑΣ ΕΦΑΡΜΟΓΗΣ

Η συσκευή αυτή προορίζεται αποκλειστικά για τον ψεκασμό προϊόντων ΚΗΠΟΥ (μυκητοκτόνων, ζιζανιοκτόνων, εντομοκτόνων).

Σε περίπτωση αμφιβολίας, πρέπει ΑΠΑΡΑΙΤΗΤΩΣ να συμβουλευτείτε τον ΚΑΤΑΣΚΕΥΑΣΤΗ.

ΠΡΟΣΟΧΗ: Η συσκευή αυτή δεν πρέπει να περιέχει ούτε να ψεκάζει χλωριούχα προϊόντα, διαλυτικά, προϊόντα με βάση την ακετόνη ή με όξινη βάση, χλωρίνη, απορρυπαντικά και απολυμαντικά.

ΣΥΝΑΡΜΟΛΟΓΗΣΗ

- Τοποθετήστε τη σωλήνωση πάνω στο ρεζερβουάρ (Εικ. 11).
- Τοποθετήστε τη σωλήνωση πάνω στη λαβή (Εικ. 11).
- Τοποθετήστε το κλιπ πάνω στον σωλήνα του αυλού (Εικ. 11).
- Τοποθετήστε τα δυο παξιμάδια πάνω στον σωλήνα του αυλού (Εικ. 11).
- Τοποθετήστε το μπεκ πάνω στον σωλήνα του αυλού και τον σωλήνα πάνω στη λαβή (Εικ. 11).
- Τοποθετήστε τον ιμάντα μεταφοράς (Εικ. 12).
- Ανάλογα με το μοντέλο, συναρμολογήστε τον προαιρετικό εξοπλισμό (Εικ. 14).
- Τακτοποίηση του αυλού μετά τη χρήση (Εικ. 13).

ΚΑΝΟΝΕΣ ΑΣΦΑΛΕΙΑΣ

- Ο ψεκαστήρας πρέπει να χρησιμοποιείται σύμφωνα με τους εθνικούς / τοπικούς κανόνες. Οι Οδηγίες χρήσης παίζουν τον ρόλο εκπαιδευσης.
- Ο ψεκαστήρας είναι μια συσκευή υπό πίεση η οποία, σε περίπτωση μη τήρησης των οδηγιών που αναφέρονται στο παρόν φυλλάδιο, μπορεί να παρουσιάσει κίνδυνο έκρηξης με εκτόξευση υγρού. Σε περίπτωση αμφιβολίας, συμβουλευτείτε τον κατασκευαστή.
- Ο ψεκαστήρας αυτός διαθέτει μια βαλβίδα ασφαλείας ρυθμισμένη στην πίεση που αναγράφεται στη βαλβίδα ή στο ρεζερβουάρ, η οποία περιορίζει την πίεση στο εσωτερικό του ρεζερβουάρ.

Συνιστάται:

- Να μην αποσπάτε ποτέ τη βαλβίδα από τη συσκευή.
- Να μην παρεμποδίσετε τη λειτουργία της βαλβίδας.
- Για τη δική σας ασφάλεια, η βαλβίδα πρέπει να διατηρείται σε άριστη κατάσταση λειτουργίας.
- Πριν από κάθε θέση υπό πίεση, ελέγχετε αν η βαλβίδα λειτουργεί σωστά: ανασηκώστε τη βαλβίδα με το χέρι και απελευθερώστε την. Πρέπει να επανέλθει αμέσως στην αρχική της θέση. Εάν δεν επανέλθει στην αρχική της θέση, μην θέσετε τη συσκευή υπό πίεση.
- Η λαβή της συσκευής αυτής διαθέτει έναν διακόπτη ο οποίος μόλις απελευθερώνεται σταματά την τροφοδότηση του αυλού προκειμένου να αποφευχθεί τυχόν μόλυνση του χειριστή και του περιβάλλοντος σε περίπτωση έκτακτης ανάγκης.
- Μην αποσυναρμολογείτε ποτέ τα εξαρτήματα του ψεκαστήρα εάν δεν έχετε εκτονώσει την πίεση.
- Σε περίπτωση βλάβης, μην προβείτε σε επιδιόρθωση επί τόπου. Εκτονώστε τη συσκευή και επέμβετε σε κατάλληλο μέρος προκειμένου να αποφευχθεί τυχόν μόλυνση.
- Για να βεβαιωθείτε ότι η συσκευή λειτουργεί σωστά ελέγξτε τη στεγανότητά της γεμίζοντας το ρεζερβουάρ με μερικά λίτρα νερό.
- Η συσκευή δεν πρέπει να χρησιμοποιείται και να αποθηκεύεται σε θερμοκρασίες κάτω των 5°C και άνω των 40°C (Εικ. 2 και 3).
- Το προς ψεκασμό διάλυμα δεν πρέπει να υπερβαίνει τους 25°C (Εικ. 4)
- Μην χρησιμοποιείτε τον ψεκαστήρα σας με κρηκτικά, οξέα ή/και διαβρωτικά προϊόντα (Εικ. 5 και 6).
- Μην ψεκάζετε προς την κατεύθυνση φλόγας ή πηγής θερμότητας.
- Χρησιμοποιείτε μόνο με ήρεμο καιρό (άπνοια) και σε διαφορετική περίπτωση κατευθύνοντας τον πίδακα ψεκασμού προς την κατεύθυνση του αέρα προκειμένου να αποφευχθεί η μόλυνση του χειριστή.
- Προς αποφυγή απόκλισης, ψεκάζετε όσο πιο κοντά γίνεται στην προς επεξεργασία περιοχή και χωρίς αέρα.
- Προστατεύετε το περιβάλλον ψεκάζοντας αποκλειστικά τις προς ψεκασμό επιφάνειες.

- Φοράτε προστατευτική ενδυμασία, προστατευτικά γάντια προστατευτικά γυαλιά και προστατευτική μάσκα για κάθε χειρισμό του ψεκαστήρα: πλήρωση, ψεκασμό, καθάρισμα, αντικατάσταση προϊόντος, συντήρηση (Εικ. 7).

- Κρατάτε τυχόν τρίτους και κατοικίδια σε λογική απόσταση κατά τη διάρκεια του ψεκασμού (Εικ. 8).

- Μην καπνίζετε, μην τρώτε και μην πίνετε κατά τη διάρκεια της χρήσης.

- Η συσκευή αυτή δεν πρέπει να χρησιμοποιείται σε περίπτωση κόπωσης και ασθένειας, ή υπό την επήρεια οινοπνεύματος, ναρκωτικών ουσιών ή άλλων φαρμάκων.

- Για λόγους ασφαλείας ο ψεκαστήρας αυτός δεν πρέπει να συνδυαστεί με άλλον εξοπλισμό. Πρέπει να χρησιμοποιείται μόνο με γνήσια εξαρτήματα ή ανταλλακτικά της HOZÉLOCK. Όλα τα εξαρτήματα του ψεκαστήρα συμμετέχουν στην ορθή λειτουργία και στην ασφάλεια της συσκευής και του χρήστη.

ΛΕΙΤΟΥΡΓΙΑ

- Θρηείτε τις οδηγίες των παρασκευαστών των προϊόντων ψεκασμού (δοσολογία, τρόπος εφαρμογής, έκπλυση).

- Προετοιμάζετε μόνο την απολύτως απαραίτητη ποσότητα προϊόντος και για έναν μόνο ψεκασμό.

- Η δοσολογία διευκολύνεται χάρη στην ορατή διαβάθμιση του ρεζερβουάρ. Ορατή στάθμη του υγρού στο δοχείο χάρη στο διαφανές υλικό.

- Προετοιμασία του προς ψεκασμό διαλύματος:

α) Προϊόντα σε σκόνη (διαλυτά ή βρέξιμα): προετοιμάστε το διάλυμα σε έναν κουβά πριν το μεταγγίσετε στο ρεζερβουάρ από το στόμιο πλήρωσης.

β) Προϊόντα σε υγρή κατάσταση (αραιώνονται με νερό): ρίξτε 1 με 2 λίτρα νερό στο ρεζερβουάρ, ρίξτε τη δόση υγρού προϊόντος και συμπληρώστε με νερό μέχρι την επιθυμητή ποσότητα.

Κατά τη χρήση

- Ανάλογα με τη συσκευή, βιδώστε με το χέρι την τάπα πλήρωσης ή την αντλία πάνω στο ρεζερβουάρ (Εικ. 15).

- Για να θέσετε υπό πίεση, αντλήστε μέχρι να τεθεί σε λειτουργία η βαλβίδα (μόλις βγει λίγος αέρας) (Εικ. 16).

- Η θέση υπό πίεση πρέπει να γίνεται αποκλειστικά μέσω της αντλίας που διαθέτει ο ψεκαστήρας.

- Ψεκάστε πατώντας τον διακόπτη της λαβής (Εικ. 17).

- Προβείτε στη ρύθμιση του πίδακα στρέφοντας το μπεκ προς τις δυο κατευθύνσεις (Εικ. 18).

- ΠΡΟΑΙΡΕΤΙΚΟΣ ΕΞΟΠΛΙΣΜΟΣ (ανάλογα με το μοντέλο): ο ρυθμιστής πίεσης 1 bar παρέχει σταθερή πίεση ψεκασμού. Επομένως: Ο ψεκασμός εκτελείται με σταθερή πίεση, ακόμη και αν ο ψεκαστήρας έχει ρυθμιστεί σε υψηλότερη πίεση. Ο ψεκασμός σταματά όταν η πίεση του ψεκαστήρα πέσει κάτω από την προβλεπόμενη πίεση (προσοχή, εξακολουθεί να υπάρχει υπολειπόμενη πίεση στη δεξαμενή). Πιέστε ξανά για να αποκτήσει πίεση το μηχάνημα.

- Διατίθεται σειρά εξαρτημάτων προκειμένου να εξασφαλίζεται ο κατάλληλος για κάθε χρήση ψεκασμός (μπάρα ζιζανιοκτονίας, τηλεσκοπικός αυλός, καμπάνα ζιζανιοκτονίας...) (Εικ. 14).

Επισκεφθείτε τον ιστότοπο www.hozelock.com

Μετά τη χρήση / Καθάρισμα

Μετά από κάθε χρήση:

- Εξαλείψετε την υπολειμματική πίεση που τυχόν να υπάρχει στη συσκευή ενεργοποιώντας τη βαλβίδα ασφαλείας, τραβώντας ή σπρώχνοντας την ανάλογα την περίπτωση, ή ψεκάοντας μέχρι να μην υπάρξει πια πίεση.

- Αποφεύγετε τον κίνδυνο μόλυνσης συλλέγοντας το μη χρησιμοποιημένο προϊόν καθώς και τη συσκευασία του.

- Μετά τη χρήση του ψεκαστήρα, πλένετε τα χέρια και το πρόσωπό σας με καθαρό νερό.

- Μην τακτοποιείτε ποτέ τον ψεκαστήρα όσο βρίσκεται υπό πίεση.

- Μην διατηρείτε ποτέ προϊόν ψεκασμού μέσα στον ψεκαστήρα.

- Τακτοποιείτε τον ψεκαστήρα σε μέρος κλειστό, μακριά από παιδιά.

- Καθαρίζετε το φίλτρο λαβής και το φίλτρο αναρρόφησης του ρεζερβουάρ εάν ο ψεκαστήρας διαθέτει τέτοιο φίλτρο (Εικ. 21).

- Εάν ψεκάσετε μέχρι να εμφανιστεί αέρας στον πίδακα: εξαλείψτε την υπολειμματική πίεση που τυχόν να υπάρχει στον ψεκαστήρα ενεργοποιώντας τη βαλβίδα ασφαλείας (Εικ. 19) ή ψεκάστε μέχρι να μην υπάρξει πια πίεση. Ο υπολειμματικός όγκος υγρού είναι κάτω των 250 ml.

- Πριν την τακτοποίηση και πριν από οποιαδήποτε άλλη χρήση με άλλο προϊόν ψεκασμού, προβείτε σε διαδικασία έκπλυσης, δηλαδή προσθέστε 1 λίτρο νερό μέσα στο ρεζερβουάρ για αραίωμα, αναδεύστε καλά και λειτουργήστε για να ξεπλυθεί το σύνολο των στοιχείων της συσκευής. Αυτή η διαδικασία έκπλυσης πρέπει να πραγματοποιείται χωρίς να αφαιρεθούν τα εξαρτήματα που χρησιμοποιήθηκαν κατά τον ψεκασμό. Σε καμία περίπτωση μην απορρίπτετε αυτό το μείγμα έκπλυσης στο δίκτυο αποχέτευσης, ψεκάστε το σε εξωτερικό χώρο στο ήδη ψεκασμένο έδαφος.

- Επαναλάβετε τη διαδικασία αρκετές φορές πριν τη χειμερινή αποθήκευση.

- Ξέπλυμα με ψεκαστήρα εφοδιασμένο με ρυθμιστή πίεσης: προσθέστε 1 λίτρο νερού στον ψεκαστήρα, πιέστε και ψεκάστε σε κατάλληλο δοχείο μέχρι να εκκενωθεί όλο το υγρό και ο αέρας να βγει από το ακροφύσιο. Για να αποφορτίσετε την υπολειπόμενη πίεση στον ψεκαστήρα, χρησιμοποιήστε τη βαλβίδα αποδέσμευσης ασφαλείας (Εικ. 19).

Συλλέξτε το τυχόν περίσσιο προϊόν και ξεπλύντε πάλι τον ψεκαστήρα όπως περιγράφεται παραπάνω."

- Πριν από οποιαδήποτε νέα χρήση, ακόμα και άμεση, με άλλο προϊόν ψεκασμού, επαναλάβετε τη διαδικασία έκπλυσης 3 φορές συνεχόμενα.

- Πριν από οποιαδήποτε νέα χρήση, ακόμα και άμεση, με το ίδιο ή με άλλο προϊόν ψεκασμού, ελέγξτε τη σωστή λειτουργία του ψεκαστήρα (ιδίως της βαλβίδας).

ΣΥΝΤΗΡΗΣΗ / ΑΠΟΚΑΤΑΣΤΑΣΗ

Ανά τακτά διαστήματα, στην εκ νέου εκκίνηση μετά από διαχείμαση και αρκετές φορές ανά σαιζόν, λιπαίνετε όλα τα παρεμβύσματα (με γράσο σιλικόνης για ψεκαστήρες) και ελέγχετε τη σωστή λειτουργία του ψεκαστήρα (ιδίως της βαλβίδας).

- Καθαρίστε το μπεκ και την υποδοχή του μπεκ (Εικ. 20)

- Καθαρίστε το φίλτρο του αυλού (Εικ. 21).

- Αποσπάστε την αντλία (Εικ. 22)

- Λιπάνετε ή αντικαταστήστε τη βαλβίδα και τις φλάντζες (Εικ. 22 A, B, C, D)

- Το ρεζερβουάρ του ψεκαστήρα είναι ανθεκτικό στην ακτινοβολία UV.

ΠΡΟΒΛΗΜΑΤΑ / ΛΥΣΕΙΣ

Προβλήματα	Λύσεις
Ανεπαρκής ή καθόλου ψεκασμός	Βεβαιωθείτε ότι όλες οι συνδέσεις είναι καλά σφιγμένες.
	Βεβαιωθείτε ότι όλες οι φλάντζες έχουν λιπανθεί και είναι καθαρές και δεν παρουσιάζουν ζημιά ή φθορά. Αντικαταστήστε αν χρειάζεται (επικοινωνήστε με την υπηρεσία εξυπηρέτησης πελατών). Καθαρίστε το μπεκ και τα φίλτρα.
Ο ψεκασμός δεν είναι ευθύς	Καθαρίστε το μπεκ.
Διαρροές	Βεβαιωθείτε ότι όλες οι συνδέσεις είναι καλά σφιγμένες.
	Βεβαιωθείτε ότι όλες οι φλάντζες έχουν λιπανθεί και είναι καθαρές, και ότι δεν παρουσιάζουν ζημιά ή φθορά. Αντικαταστήστε αν χρειάζεται (επικοινωνήστε με την υπηρεσία εξυπηρέτησης πελατών).
Ελαττωματική βαλβίδα ασφαλείας	ΚΙΝΔΥΝΟΣ: Μην θέσετε ξανά τη συσκευή υπό πίεση. Επικοινωνήστε με την υπηρεσία εξυπηρέτησης πελατών.

ΕΓΓΥΗΣΗ

Παράταση της συμβατικής εγγύησης

Τα προϊόντα μας καλύπτονται με εγγύηση 3 ετών. Εάν δεν υπάρχει απόδειξη της ημερομηνίας αγοράς, η εγγύηση ξεκινά από την ημερομηνία παραγωγής του προϊόντος (αναφέρεται κάτω από το προϊόν) (Εικ. 23).

Η συμβατική εγγύηση δεν ισχύει στις παρακάτω περιπτώσεις:

- Εξαρτήματα που υπόκεινται σε φυσική φθορά: παρεμβύσματα, βαλβίδες, λαβή, μπεκ, σωλήνες, μάντες μεταφοράς, μπιέλα και μοχλός.

- Προϊόντα που δεν έχουν χρησιμοποιηθεί σύμφωνα με τις τεχνικές συστάσεις.

- Προϊόντα που υπόκεινται σε λανθασμένη χρήση.

- Προϊόντα που δεν υπόκεινται σε τακτική συντήρηση.

- Φθορές του προϊόντος (χτυπήματα, πτώσεις, σύνθλιψη, κ.λπ.) που οφείλονται σε αμέλεια, ελλιπή συντήρηση, λανθασμένη ή μη φυσιολογική χρήση του προϊόντος.

- Αντικατάσταση κάποιου στοιχείου, κατόπιν απώλειας στοιχείου του ψεκαστήρα.

Λειτουργία της εγγύησης

Επικοινωνήστε με τον μεταπωλητή σας για να χρησιμοποιήσετε την εγγύηση.

Παρακαλείστε να διατηρήσετε την απόδειξη αγοράς σας (ευανάγνωστο τιμολόγιο ή απόδειξη) διότι θα σας ζητηθεί σε περίπτωση ενεργοποίησης της συμβατικής εγγύησης.

Τα υπό εγγύηση προϊόντα τα οποία επισκευάζονται ή αντικαθίστανται εξακολουθούν να καλύπτονται από εγγύηση για το εναπομένον διάστημα και υπό τους αρχικούς όρους της Συμβατικής εγγύησης που παρέχεται κατά την αγορά.

Οποιοδήποτε προϊόν επιστρέφεται περιέρχεται στην κυριότητα της HOZELOCK εφόσον αντικατασταθεί με καινούργιο προϊόν.

ΔΗΛΩΣΗ ΣΥΜΜΟΡΦΩΣΗΣ ΤΗΣ ΕΕ

Σύμφωνα με το πρότυπο BS EN ISO / IEC 17050-1: 2004, η HOZELOCK δηλώνει ότι το παρακάτω ψεκαστικό πίεσης της HozeLOCK: STANDARD 10L (κωδ. 4232) συμμορφώνεται με τις βασικές απαιτήσεις υγείας και ασφάλειας των ακόλουθων οδηγιών: Οδηγία 2006/42/ΕΚ σχετικά με τα μηχανήματα και τις τροποποιητικές οδηγίες της, συμπεριλαμβανομένης της οδηγίας 2009/127 / ΕΚ.

RU РУКОВОДСТВО ПО ЭКСПЛУАТАЦИИ

Оригинальная версия руководства была составлена и утверждена на французском языке. Все версии на других языках являются переводами оригинала. В случае несоответствия, расхождений или разночтений между версией на французском и других языках версия на французском



ΟΒΛΑΣΤΉ ΠΡΙΜΕΝΕΝΙΑ

Это устройство предназначено исключительно для распыления САДОВЫХ средств (фунгицидов, гербицидов, инсектицидов).

В случае сомнения **ОБЯЗАТЕЛЬНО** обратитесь к ПРОИЗВОДИТЕЛЮ.

ВНИМАНИЕ! В это устройство запрещено заливать и с его помощью распылять средства, содержащие хлор или растворители, средства на основе ацетона или кислоты, жавелевую воду, моющие и дезинфицирующие средства.

ΜΟΝΤΑΖ

- Соедините трубку с резервуаром (рис. 11).

- Соедините трубку с рукояткой (рис. 11).

- Установите зажим на трубу штанги (рис. 11).

- Навинтите две гайки на трубу штанги (рис. 11).

- Установите сопло на трубу штанги, а трубу соедините с рукояткой (рис. 11).

- Прикрепите ремень для переноски (рис. 12).

- Соберите дополнительное оборудование в зависимости от модели (рис. 14).

- Хранение штанги после использования (рис. 13).

ΠΡΑΒΙΛΑ ΤΕΧΝΙΚΗ ΒΕΖΟΠΑΣΧΝΟΤΗ

- Во время работы с пульверизатором следует соблюдать местные и национальные нормативные требования. Настоящее руководство по эксплуатации представляет собой учебный материал.

- Пульверизатор представляет собой устройство под давлением; при несоблюдении правил, приведенных в настоящем руководстве, он может представлять угрозу взрыва и разбрызгивания жидкости. В случае возникновения сомнений обратитесь к производителю.

- Пультеризатор оснащен предохранительным клапаном, откалиброванным на давление, указанное на клапане или резервуаре. Этот клапан ограничивает давление внутри резервуара. Рекомендации.

- Никогда не демонтируйте клапан устройства.

- Не препятствуйте работе клапана.

- В целях безопасности клапан должен находиться в безупречном рабочем состоянии.

- Перед созданием давления следует проверить работу клапана: поднять его вручную, а затем отпустить. Клапан должен немедленно вернуться в исходное положение. В противном случае подавать давление на устройство запрещено.

- Это устройство оснащено выключателем, установленным на ручке, который предназначен для отключения подачи раствора в штангу при его отпуске, что позволяет предотвратить загрязнение оператора и окружающей среды в экстренном случае.

- Не снимайте детали пультеризатора, не сбросив предварительно давление.

- В случае выхода пультеризатора из строя не проводите ремонт в полевых условиях. Во избежание загрязнения сброс давления и выполнение ремонтных операций следует проводить в специальном месте.

- Убедитесь в исправности устройства, залив в резервуар несколько литров воды для проверки герметичности.

- Запрещено использовать и хранить устройство при температуре ниже 5 °С и выше 40 °С (рис. 2 и 3).

- Температура раствора не должна превышать 25 °С (рис. 4).

- Не заполняйте пультеризатор взрывчатыми веществами и кислотами, а также едкими веществами (рис. 5 и 6).

- Не распыляйте раствор в направлении открытого огня и источников тепла.

- Используйте устройство только в спокойную (безветренную) погоду, в противном случае устройство необходимо держать по ветру во избежание попадания раствора на оператора.

- Во избежание отклонения устройства держать его необходимо как можно ближе к обрабатываемой области и в направлении ветра.

- Берегите окружающую среду, распыляйте раствор только на участки, подлежащие обработке.

- Во время работы с пультеризатором: во время его наполнения, опрыскивания, очистки, замены раствора и ухода надевайте средства индивидуальной защиты, защитные перчатки, очки или маску (рис. 7).

- Во время распыления люди и животные должны находиться на безопасном расстоянии (рис. 8).

- Во время эксплуатации устройства запрещено курить, пить или есть.

- Запрещено использовать это устройство в случае болезни, в состоянии усталости, состоянии алкогольного или наркотического опьянения или после приема лекарственных средств.

- В целях безопасности запрещено подсоединять пультеризатор к другим устройствам. Устройство следует использовать только с оригинальными запчастями и вспомогательными принадлежностями производства HOZELOCK. Каждая деталь пультеризатора обеспечивает исправную работу устройства, тем самым повышая безопасность как самого устройства, так и его пользователя.

ЭКСПЛУАТАЦИЯ

- Соблюдайте инструкции производителя средств для обработки (дозировка, способ применения, ополаскивание).

- Приготовьте средство в объеме не большем, чем необходимо для одного применения.

- Градуировка на резервуаре устройства поможет обеспечить требуемую дозировку. Резервуар выполнен прозрачным, благодаря чему можно контролировать уровень жидкости.

- Приготовление раствора для обработки:

а) порошки (растворимые или смачивающиеся): приготовьте раствор в отдельной емкости и залейте в резервуар через заливное отверстие;

б) продукты на жидкостной основе (для разведения в воде): залейте в резервуар устройства 1–2 литра воды, залейте одну дозу средства и дополните водой до нужного объема.

Во время использования

- В соответствии с типом устройства закрутите вручную пробку заливной горловины или прикрутите насос на резервуар (рис. 15).

- Выполните подкачку для создания давления для срабатывания клапана (сразу после выпуска воздуха) (рис. 16).

- Для создания давления в пульверизаторе используйте только насос, которым он оснащен.
- Для распыления используйте переключатель, расположенный на рукоятке (рис. 17).
- Регулировку напора струи выполняйте поворотом сопла в обоих направлениях (рис. 18).

- ДОПОЛНИТЕЛЬНОЕ ОБОРУДОВАНИЕ

(зависит от модели): 1 регулятор барометрического давления обеспечивает постоянное давление при опрыскивании. Поэтому: опрыскивание осуществляется при постоянном давлении, даже если давление в опрыскивателе превышает указанное значение. Опрыскивание прекращается, если давление в опрыскивателе понижается до расчетного (необходимо соблюдать осторожность, поскольку в резервуаре сохраняется остаточное давление). Чтобы повысить давление в аппарате, следует накачать его повторно.

- Для достижения условий опрыскивания применительно к различным вариантам использования предлагается линейка вспомогательных принадлежностей (штанга для удаления сорняков, телескопическая штанга, колпак для опрыскивания сорняков и т. п.) (рис. 14).

См. веб-сайт www.hozelock.com.

После использования / очистка

После каждого использования необходимо выполнять указанные ниже действия.

- Сравите возможное остаточное давление в устройстве, потянув или нажав (в зависимости от случая) предохранительный клапан, или включив распыление до полного сброса давления.

- Избегайте загрязнения окружающей среды: соберите неиспользованное средство и его упаковку.

- После использования пульверизатора вымойте руки и лицо чистой водой.

- Не храните пульверизатор, находящийся под давлением.

- Никогда не оставляйте средство для обработки в пульверизаторе

- Храните пульверизатор в защищенном и недоступном для детей месте.

- Очистите фильтр рукоятки и впускной фильтр в резервуаре, если есть (рис. 21).

- Если распыление выполнялось вплоть до появления воздуха в струе: сравите остаточное давление в опрыскивателе, приводя в действие предохранительный

клапан (рис. 19), или включите распыление до полного сброса давления. Объем остающейся жидкости не превышает 250 мл.

- Перед хранением или использованием любого другого средства для обработки промойте устройство, т. е. добавьте в резервуар 1 литр воды для разбавления, хорошо размешайте и приведите устройство в действие, чтобы ополоснуть все компоненты устройства.

Операцию промывки следует выполнять без демонтажа принадлежностей, используемых при обработке. Запрещено сливать используемую для промывки смесь в канализацию. Ее следует распылить над обработанной площадью.

- Повторите операцию несколько раз, прежде чем убрать устройство на зимнее хранение.

- Очистка опрыскивателя с установленным регулятором давления: наполните опрыскиватель 1 л воды, повысьте давление и распылите в соответствующую емкость, пока жидкость не будет удалена, а из сопла не начнет поступать воздух. Чтобы сбросить остаточное давление в опрыскивателе, необходимо использовать предохранительный клапан сброса давления (рис. 19).

- Перед каждым новым использованием устройства, даже спустя короткое время, с применением другого распыляемого вещества, следует повторить промывку три раза подряд.

- Перед любым новым использованием устройства, даже спустя короткое время, с применением того же или другого средства для обработки необходимо проверить исправность пульверизатора (в частности, клапана).

ТЕХНИЧЕСКОЕ ОБСЛУЖИВАНИЕ И УХОД

Периодически перед возобновлением работ после зимнего хранения и не менее нескольких раз в сезон смазывайте все прокладки (силиконовой смазкой для пульверизатора) и проверяйте работу устройства (в частности, клапана).

- Почистите сопло и держатель сопла (рис. 20).

- Почистите фильтр штанги (рис. 21).

- Снимите насос (рис. 22).

- Смажьте или замените клапан и уплотнения (рис. 22 А, В, С, D).

- Резервуар пульверизатора устойчив к воздействию УФ-излучения.

ПРОБЛЕМЫ И СПОСОБЫ ИХ УСТРАНЕНИЯ

Проблемы	Способы решения
Слабая струя или ее отсутствие.	Проверьте затяжку всех резьбовых соединений.
	Убедитесь в том, что все уплотнения очищены и смазаны, а также не повреждены и не изношены. При необходимости замените их (обратитесь в службу по работе с клиентами).
	Очистите сопло и фильтры.
Опрыскивание происходит не по прямой линии	Очистите сопло.
Протечки	Проверьте затяжку всех резьбовых соединений.
	Убедитесь в том, что все уплотнения очищены и смазаны, а также не повреждены и не изношены. При необходимости замените их (обратитесь в службу по работе с клиентами).
Предохранительный клапан неисправен.	ОПАСНО! Не нагнетайте давление в устройство. Обратитесь в службу по работе с клиентами.

- изделия с повреждениями (в результате ударов, падения, сдавливания и т. д.), произошедшими по небрежности, из-за отсутствия надлежащего технического обслуживания, неправильного или недопустимого использования изделий;
- детали, установленные после утери подлинного компонента пульверизатора.

Действие гарантии

Чтобы воспользоваться гарантией, свяжитесь с дистрибьютором.

Сохраните документы, подтверждающие факт покупки (разборчивый счет или кассовый чек), которые необходимо будет предъявить в случае признания гарантии действующей.

Отремонтированное или замененное изделие, на которое распространяется гарантия, остается под ее действием на оставшийся период времени с учетом начальных условий гарантии, предоставленной при покупке.

После замены любые возвращаемые изделия становятся собственностью компании HOZELOCK.

ДЕКЛАРАЦИЯ СООТВЕТСТВИЯ ЕС

Согласно BS EN ISO/IEC 17050-1:2004 HOZELOCK заявляет, что пневматический опрыскиватель Hozelock STANDARD 10L (№ 4232) соответствует основным требованиям охраны труда и техники безопасности, Директиве о безопасности машин и оборудования 2006/42/ЕС и дополняющими директивами, включая 2009/127/ЕС.

ГАРАНТИЯ

Условия договорной гарантии

Срок действия гарантии на продукцию составляет три года. В случае отсутствия подтверждения даты покупки изделия гарантия начинается от даты его изготовления (указывается на изделии) (рис. 23).

Действие договорной гарантии не распространяется на:

- детали с обычным износом: уплотнения, клапаны, рукоятку, сопло, трубку, ремни для переноски, шатун и рычаг;
- изделия, при использовании которых не были соблюдены технические рекомендации;
- изделия, которые эксплуатировались несоответствующим образом;
- изделия, которые не подлежат регулярному техническому обслуживанию;

Manualul original a fost redactat și aprobat în limba franceză. Toate celelalte manuale în alte limbi sunt traduceri ale originalului. În caz de conflict, imprecizii sau discrepanțe între limba franceză și celelalte limbi, versiunea franceză este cea prevalentă.



DESTINAȚIA

Acest aparat este conceput exclusiv pentru aplicarea produselor JARDIN (fungicide, erbicide, insecticide).

În caz de dubiu, este **OBLIGATORIU** să consultați **FABRICANTUL**.

ATENȚIE: Acest aparat nu trebuie să conțină sau să pulverizeze produse care conțin clor, solvenți, produse pe bază de acetonă sau acizi, hipoclorit, produse sodice și dezinfectanți.

MONTAJ

- Montați tubulatura pe rezervor (**fig. 11**).
- Montați tubulatura pe mâner (**fig. 11**).
- Montați clipsul pe tubul lăncii (**fig. 11**).
- Montați cele două piulițe pe tubul lăncii (**fig. 11**).
- Montați duza pe tubul lăncii și tubul pe mâner (**fig. 11**).
- Montați breteaua de purtare (**fig. 12**).
- În funcție de model, asamblați echipamentele opționale (**fig. 14**).
- Depozitarea lăncii după utilizare (**fig. 13**).

REGULI DE SIGURANȚĂ

- Pulverizatorul se va utiliza conform reglementărilor locale/naționale. Manualul de utilizare are rol de instruire.

- Un pulverizator este un aparat sub presiune, care poate prezenta riscuri de explozie, stropire cu lichid, dacă nu sunt respectate recomandările din acest manual. În caz de dubii, consultați constructorul.

- Acest pulverizator este prevăzut cu o supapă de siguranță reglată la presiunea notată pe supapă sau pe rezervor, care limitează presiunea din interiorul rezervorului.

Se recomandă:

- Să nu demontați niciodată supapa de pe aparat.
- Să nu îngreunați funcționarea supapei.
- Pentru siguranța dvs., aceasta trebuie să rămână în perfectă stare de funcționare.
- Înainte de fiecare punere sub presiune, verificați buna funcționare a supapei: ridicăți-o

cu mâna, apoi dați-i drumul. Trebuie să revină imediat în poziția sa inițială. Dacă nu este cazul, nu puneți sub presiune aparatul.

- Acest aparat este echipat cu un întrerupător pe mâner, care permite întreruperea alimentării lăncii atunci când întrerupătorul nu mai este apăsat, pentru a evita orice contaminare a operatorului și a mediului, în caz de urgență.

- Nu demontați niciodată elementele pulverizatorului, fără să fi eliberat în prealabil presiunea.

- În caz de defecțiune, nu efectuați depanarea în plin câmp. Depresurizați aparatul și interveniți într-un loc adaptat, pentru a evita orice contaminare.

- Asigurați-vă de buna funcționare a aparatului, verificând etanșeitatea cu câțiva litri de apă în rezervor.

- Aparatul nu trebuie să fie utilizat și depozitat la temperaturi mai mici de 5 °C și mai mari de 40 °C (**fig. 2 și 3**).

- Soluția de pulverizat nu trebuie să depășească 25 °C (**fig. 4**).

- Nu utilizați produse explozive, acide și/sau corozive în pulverizator (**fig. 5 și 6**).

- Nu pulverizați înspre flăcări sau surse de căldură.

- Ideal, nu efectuați tratamentul decât pe vreme liniștită (fără vânt), în caz contrar dirijați jetul de pulverizare în sensul vântului, pentru a evita contaminarea operatorului.

- Pentru a evita deriva, pulverizați cât mai aproape posibil de zona de tratat și fără vânt.

- Protejați mediul, nu pulverizați decât pe suprafețele vizate.

- Purtați haine de protecție, mănuși de protecție, ochelari de protecție și o mască de protecție, la orice manipulare a pulverizatorului: umplere, pulverizare, curățare, schimbarea produsului, întreținere (**fig. 7**).

- Țineți celelalte persoane și animale la o distanță rezonabilă, în timpul pulverizării (**fig. 8**).

- Nu fumați, nu beți și nici nu mâncați în timpul utilizării.

- Acest aparat nu trebuie utilizat în stare de oboseală, boală, sub influența alcoolului, drogurilor sau a altui medicament.

- Din motive de siguranță, acest pulverizator nu trebuie racordat la alt echipament. Nu trebuie utilizat decât cu piese sau cu accesorii originale HOZELOCK. Toate piesele pulverizatorului participă la buna funcționare și la siguranța aparatului și a utilizatorului.

FUNȚIONARE

- Respectați instrucțiunile fabricantului de produse pentru stropire (dozaj, mod de aplicare, clătire).
- Preparați doar cantitatea de produs strict necesară, pentru o singură aplicare.
- Dozajul este facilitat datorită gradațiilor vizibile de pe rezervor. Nivelul de lichid din cuvă este vizibil datorită transparenței.
- Prepararea soluției de pulverizat:
 - a) Produs sub formă de pudră (solubilă sau umectabilă): preparați soluția într-o găleată, înainte de a o transfera în rezervor, prin orificiul de umplere.

b) Produs lichid (se va dilua cu apă): puneți 1 - 2 litri de apă în rezervor, turnați doza de produs lichid, apoi completați cu apă până la cantitatea dorită.

La utilizare

- Încurubați manual pompa pe rezervor (fig. 15).
- Pompați pentru a pune sub presiune, până la declanșarea supapei (ocazie cu care este expulzat un jet de aer) (fig. 16).
- Efectuați punerea sub presiune a pulverizatorului exclusiv cu pompa cu care este prevăzut acesta.
- Pulverizați, apăsând pe întrerupătorul de pe mâner (fig. 17).
- Efectuați reglarea jetului, rotind duza în ambele sensuri (Fig. 18).
- ECHIPAMENTE OPȚIONALE (în funcție de model): regulatorul de presiune de 1 bar asigură o presiune de pulverizare constantă. Prin urmare: Pulverizarea se efectuează la presiune constantă, chiar dacă pulverizatorul este setat la o presiune mai mare decât aceasta. Pulverizarea se oprește când presiunea pulverizatorului scade sub presiunea desemnată (fiți atenți, există încă presiune reziduală în rezervor). Pompați din nou pentru a presuriza aparatul.
- Este disponibilă o gamă de accesorii, pentru a asigura un tratament adaptat diverselor utilizări (rampă de erbicide, lance telescopică, mască de erbicide etc.) (fig. 14).

Vezi site-ul Internet www.hozelock.com

După utilizare / Curățare

După fiecare utilizare:

- Eliminați presiunea reziduală care poate rămâne în aparat, acționând supapa de siguranță - trăgând-o sau apăsând-o, după caz - ori pulverizând până ce nu mai există presiune.
- Evitați riscurile de poluare, recuperând atât produsul neutilizat, cât și ambalajul.
- Spălați-vă pe mâini și față cu apă curată, după utilizarea pulverizatorului.
- Nu depozitați niciodată pulverizatorul dacă este sub presiune.
- Nu păstrați niciodată resturi de produs de tratare în interiorul pulverizatorului.
- Depozitați pulverizatorul într-un loc ferit, care nu se află la îndemâna copiilor.
- Curățați filtrul mânerului și filtrul de aspirație din rezervor, dacă pulverizatorul este prevăzut cu acestea (fig. 21).
- Dacă pulverizați până la apariția aerului în jet: eliminați presiunea reziduală care ar putea exista în pulverizator, acționând supapa de siguranță (fig. 19) sau pulverizați până când nu mai are presiune. Volumul rezidual de lichid este mai mic de 250 ml.
- Înainte de depozitare și de orice altă utilizare cu un alt produs de tratare, efectuați o operație de clătire, adică adăugați 1 litru de apă în rezervor pentru diluare, amestecați bine și puneți în funcțiune pulverizatorul, pentru a clăti toate componentele aparatului. Această operațiune de clătire trebuie efectuată fără a demonta accesoriile utilizate în timpul tratamentului. Acest amestec de clătire nu trebuie, în niciun caz, să fie aruncat la canal, ci trebuie pulverizat în exterior, pe terenul deja tratat.
- Repetați operațiunea de mai multe ori înainte de a-l depozita pentru iarnă.
- Clătirea aparatului echipat cu regulatorul de presiune: adăugați 1 litru de apă în pulverizator, presurizați și pulverizați într-un recipient adecvat, până când a fost evacuat tot lichidul și din duză iese aer. Pentru a elibera presiunea rămasă în pulverizator, utilizați supapa de siguranță pentru eliberarea presiunii (fig. 19).
- Înainte de orice nouă utilizare, chiar și imediată, cu o altă soluție de pulverizat, repetați de 3 ori operația de clătire.
- Înainte de orice nouă utilizare, chiar și imediată, cu același produs de tratare sau cu un altul, verificați buna funcționare a pulverizatorului (îndeosebi supapa)

MENTENANȚĂ / ÎNTREȚINERE

Periodic, la reluarea activității după iarnă și de mai multe ori pe sezon, ungeți toate garniturile (cu o vâșalină siliconică pentru pulverizatoare) și verificați buna funcționare a pulverizatorului (în special a supapei).

- Curățați duza și portduza (fig. 20)
- Curățați filtrul lăncii (fig. 21)
- Demontați pompa (fig. 22)
- Gresăți sau înlocuiți clapeta și garniturile (fig. 22 A, B, C, D)
- Pulverizatorul este echipat cu un rezervor care rezistă la radiațiile UV.

PROBLEME / SOLUȚII

Probleme	Soluții
Pulverizare slabă sau lipsă	Asigurați-vă că toate racordurile sunt bine strânse.
	Asigurați-vă că toate garniturile sunt unse și curate și că nu sunt deteriorate sau uzate. Înlocuiți-le, dacă este necesar (contactați serviciul clienți).
	Curățați duza și filtrele.
Pulverizarea nu este dreaptă	Curățați duza.
Pierderi	Asigurați-vă că toate racordurile sunt bine strânse.
	Asigurați-vă că toate garniturile sunt unse și curate și că nu sunt deteriorate sau uzate. Înlocuiți-le, dacă este necesar (contactați serviciul clienți).
Supapă de siguranță defectă	PERICOL: Nu mai puneți aparatul sub presiune. Contactați serviciul clienți.

GARANȚIE

Extinderea garanției contractuale

Noi oferim o garanție a produselor noastre pe o durată de 3 ani. În lipsa dovezii cumpărării produselor, data de începere a Garanției este data de fabricare a produsului (indicată pe produs) (fig. 23).

Garanția contractuală nu se aplică în cazurile următoare:

- Piese de uzură normală: garnituri, clapete, mâner, duză, tubulatură, chingi de purtare, bielă și levier,
- Produsele care sunt folosite fără a respecta recomandările tehnice
- Produsele utilizate abuziv,
- Produsele care nu au beneficiat de întreținere regulată,
- Degradările produselor (lovire, cădere, spargere etc.) datorate neglijenței, întreținerii necorespunzătoare, utilizării defectuoase sau anormale a produsului,
- Înlocuire a unei componente în urma pierderii altei componente a pulverizatorului.

Funcționarea garanției

Contactați distribuitorul, pentru a putea utiliza garanția.

Vă rugăm să păstrați dovada cumpărării (factura sau bonul de casă lizibil), care vă va fi cerută în cazul aplicării garanției contractuale.

Un produs aflat în garanție care a fost reparat sau înlocuit își păstrează garanția pe durata rămasă și conform condițiilor inițiale ale garanției contractuale, stabilite la cumpărare.

Orice produs returnat devine proprietatea HOZELOCK când este înlocuit cu unul nou.

DECLARAȚIA DE CONFORMITATE UE

În conformitate cu BS EN ISO/IEC 17050-1:2004 HOZELOCK declară că următoarele pulverizatoare Hozelock sub presiune: STANDARD 10L (cod 4232) se conformează cerințelor esențiale privind sănătatea și siguranța cuprinse în următoarele Directive: Directiva 2006/42/CER privind echipamentele tehnice și Directivele care o modifică, inclusiv 2009/127/CE.

HOZELOCK

Hozelock Ltd
Midpoint Park, Birmingham,
B76 1AB. ENGLAND
Tel: +44 (0) 121 313 1122

Hozelock-Exel
891 route des Frênes - 69653
Villefranche-sur-Saône Cedex
FRANCE

Hozelock Australia Pty Ltd
(ABN 83 154 891 648)
Unit 42 / 74 Indian Drive
Keysborough Victoria 3173
☎ 1300 275175
australiainmail@hazelock.com

www.hozelock.com

Ref. 33939-000