

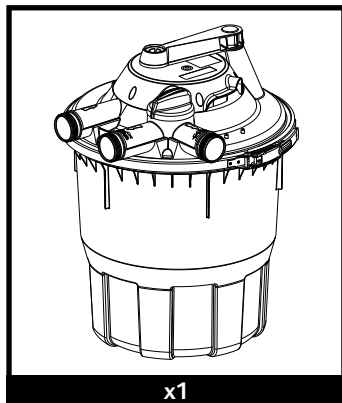
BIOFORCE REVOLUTION 12/18/28000



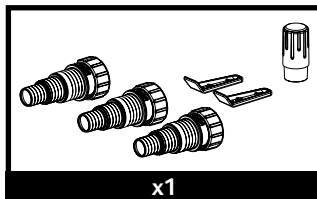
Year guarantee
Ans de garantie
Jahre garantie
Jaat garantie
Años de garantia
Χρόνια εγγύηση

Hozelock Ltd.
Midpoint Park, Birmingham,
B76 1AB, England
Tel: +44 (0) 121 313 1122

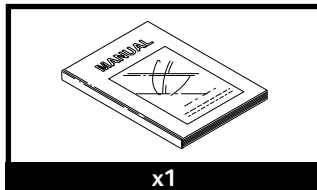
www.hozelock.com
33853-000



x1

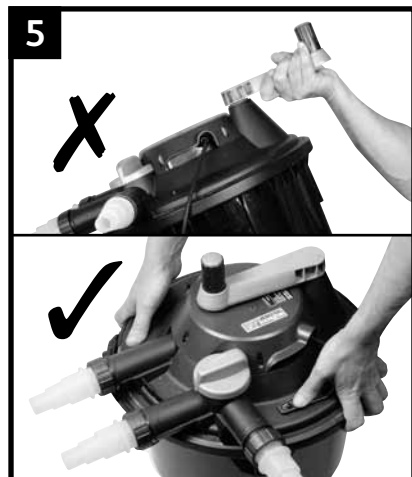
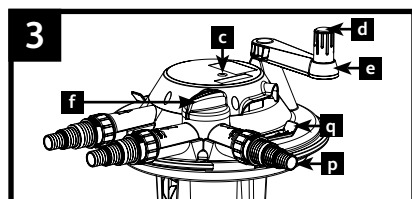
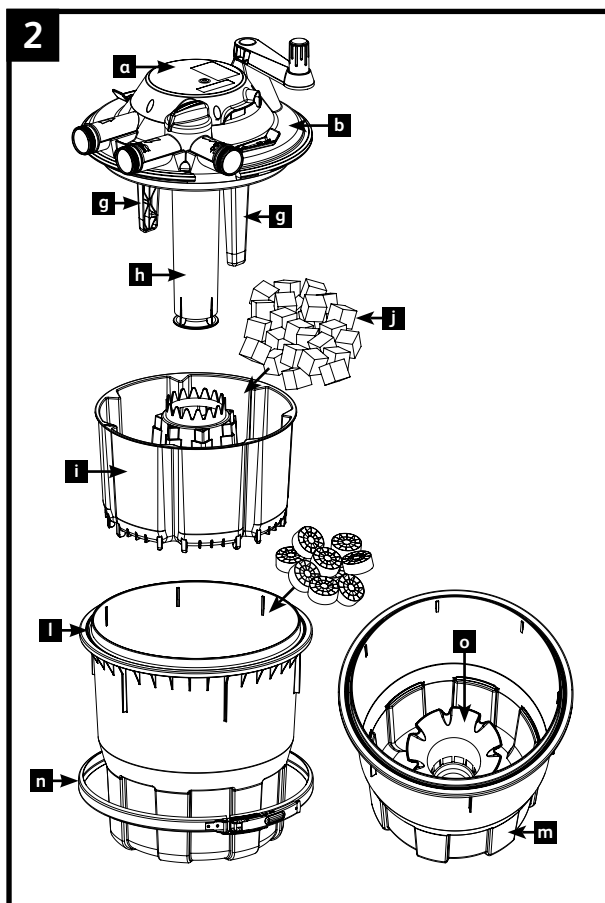


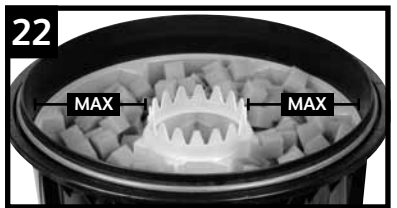
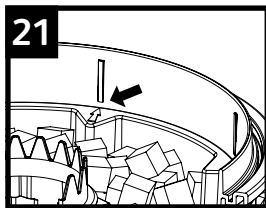
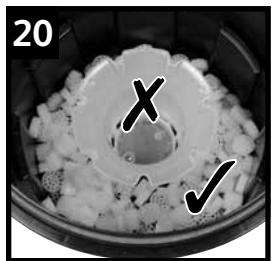
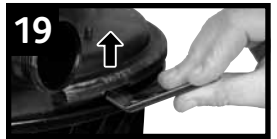
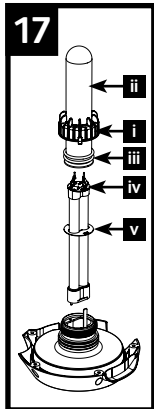
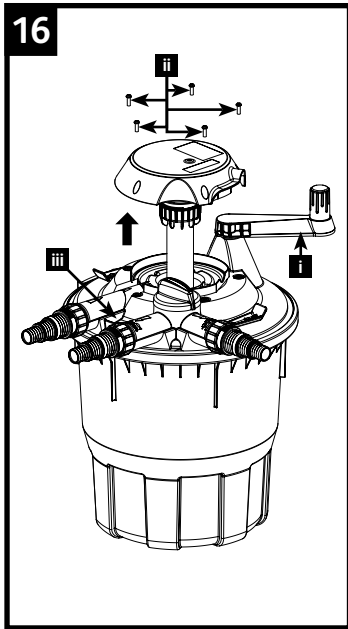
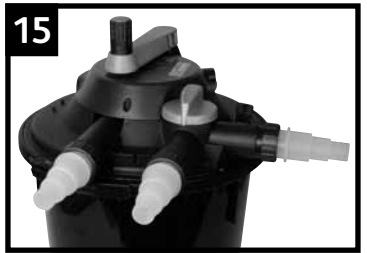
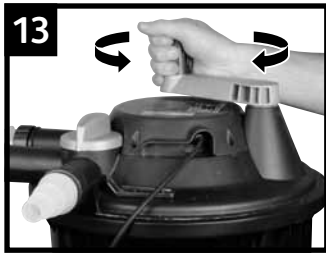
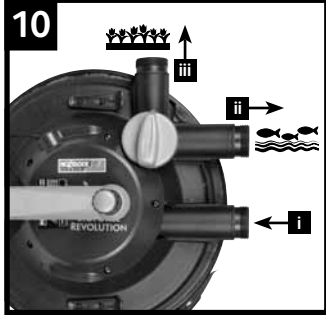
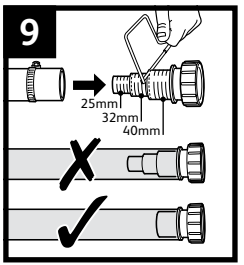
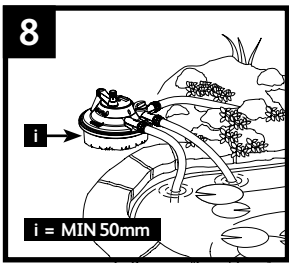
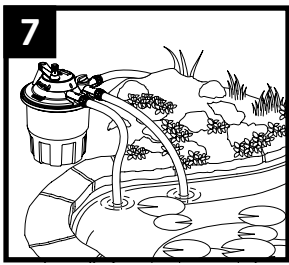
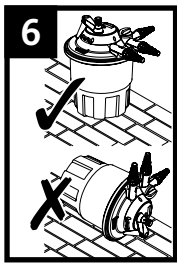
x1



x1

Assembly • Assemblage • Montage • Samenstelling • Montaje • Montering • Montering • Kokoaminen • Monterung
 Montaggio • Montagem • Montaž • Συγκρότημα • Montaj • Összeszerelés • Sestava • Сборка • Koostamine
 Montáža • Surinkimas • Ansamblu • Монтаж • Sestav





Thank you for choosing a Hozelock quality product, you can be assured of many years of reliable service from this product.

- a** Electrical Housing.
- b** Lid assembly.
- c** UV lamp indicator lens.
- d** Cleaning Handle Knob.
- e** Cleaning Handle.
- f** Diverter Valve.
- g** Cleaning Fingers (Yellow).
- h** UV Shroud.
- i** Foam Bucket.
- j** Cypricube Foam.
- k** Bio-media.
- l** Vessel o-ring seal.
- m** Filter Vessel.
- n** Lid Clamp.
- o** Bio-trumpet.
- p** Hosetail & Nut.
- q** Lever.

Installation & Operating Instructions



READ THESE INSTRUCTIONS CAREFULLY BEFORE ATTEMPTING INSTALLATION.

FAILURE TO OBSERVE THE FOLLOWING NOTICES MAY RESULT IN INJURY, PRODUCT DAMAGE OR LOSS OF FISH.

KEEP THESE INSTRUCTIONS FOR FUTURE REFERENCE.

This Hozelock Cyprio Bioforce Revolution is a new concept in easy maintenance water filtration for garden ponds.

It is:

- Compact and efficient
- Easy to install.
- Trouble free to clean and maintain.
- Can be sited almost anywhere.

Used with the appropriate pond pump, it will improve water clarity, remove unwanted solid matter from the pond and convert dissolved organic and chemical fish waste into harmless compounds.

Attention: UV Caution

This appliance contains a UV-C emitter. Unintended use of the appliance or damage to the housing may result in the escape of dangerous UV-C radiation. UV-C radiation may, even in little doses, cause harm to the eyes and skin. The lamp is fitted with an interlock that will turn the lamp off in the event that the electrical housing is opened.

When switched on, the lamp can be checked for operation by looking for a bluish glow from UV indicator lens. Do not run the product dry.

Warning: Do not attempt to operate the UV-C emitter when it is removed from the appliance housing.

Important

The appliance is not intended for use by persons (including children) with reduced physical, sensory or mental capabilities, or lack of experience and knowledge, unless they have been given supervision or instruction concerning use of the appliance by a person responsible for their safety. Children should be supervised to ensure that they do not play with the appliance. If this appliance is obviously damaged it must not be operated.

(Australia & NZ only). This appliance is not intended for use by young children or infirm persons unless they have been adequately supervised by a responsible person to ensure that they can use the appliance safely. Young children should be supervised to ensure that they do not play with the appliance.

Warning: Safety & Electrical Connections

- 1.1** **WARNING: ALWAYS UNPLUG OR DISCONNECT ALL APPLIANCES IN THE POND FROM THE ELECTRICITY SUPPLY BEFORE PUTTING YOUR HANDS IN THE WATER WHILST EQUIPMENT IS BEING INSTALLED, REPAIRED, MAINTAINED OR HANDLED.**
- 1.2** This filter has been designed for the use with garden ponds only. Do not use this filter for any other use (i.e. do not use this filter in swimming pools, etc). Using the product for any other application may result in injury or product damage.
- 1.3** Appliances that are obviously damaged must not be operated.
- 1.4** The clear tube inside the unit is made from quartz glass and care should be taken during installation and maintenance. We recommend the use of eye protection and suitable gloves.
- 1.5** Your Bioforce Revolution filter is weatherproof but not submersible. Position the unit upright near the pond but not where it can fall into the water or where the ground can become waterlogged (See the section, "Installation").
- 1.6** **Important:** This product is supplied with 5m of 3-core electric cable. The plug supplied with this product is not waterproof and it must be connected to the mains supply inside a dry weatherproof enclosure according to your local regulations.
- 1.7** **WARNING:** This appliance **MUST** be earthed and it is essential that the connections are made using the following code:
 - BROWN - live
 - BLUE - neutral
 - GREEN/YELLOW - earth.
- 1.8** Exposed cable runs should be sensibly positioned and protected by armoured conduit, especially if there is a risk of contact with gardening equipment such as forks and lawnmowers, or children and domestic animals.
- 1.9** A 30mA maximum Residual Current Device (RCD) **MUST** be fitted to the mains supply.
- 1.10** Permanent installations to the mains supply (hard wiring), must conform to the national and local wiring regulations. If in any doubt about wiring to the mains supply, consult a qualified electrician or local electricity authority.

- 1.11 Never use the mains supply cable or cleaning handle to lift or move the filter, as this may cause damage. If the filter needs to be moved, the product should be switched off and drained of water first. Then lift the product by gripping the area where the lid is clamped to the main vessel.
- 1.12 Never sit or lean on the cleaning handle! (Fig. 4).
- 1.13 Never lift the filter using the cleaning handle. Always carry the unit using two hands by firmly gripping the rim of the lid (Fig. 5).
- 1.14 Do not operate your filter dry.
- 1.15 Do not block outlets whilst filter is in use.
- 1.16 Do not operate this product if the mains supply cable has become damaged in any way. The supply cable cannot be replaced. If the cable is damaged, the electrical housing should be disposed of according to local regulations.
- 1.17 Protect from frost if the unit is not to be run year-round. (See the section, "Winter Care").
- 1.18 Protect the filter from direct sunlight.
- 1.19 This product is not suitable for water temperatures above 35°C or below 0°C.
- 1.20 Only use accessories which have been designed for use with this product. The use of any other accessories or spares may invalidate your guarantee.

General Guidance

- 2.1 The Technical Information Chart overleaf gives general guidance on the specifications of the filter & recommended pump. However, for best results several other condition factors should be taken into consideration, as these reduce the capabilities of the filter.
 - **Pond depth:** Hozelock Cyprio recommends a minimum depth of 1.2m (4') for Koi ponds. For a pond with an average depth of less than 0.75m (2' 6") the Condition Factor is + 25%. Shallow ponds are subject to full penetration of sunlight, and warm up quickly. This encourages algae growth.
 - **Location:** Pond location determines the daily amount of sunlight or shade a pond receives. Ponds exposed to full sunshine throughout the day have a Condition Factor of +25%.
 - **Climate:** Climate affects water temperatures and fish activity rate/feeding requirements. The more active the fish, the greater the demands on the filtration system. In hot climates (ie South Africa), the Condition Factor is +35% In temperate climates (ie Southern Europe), the Condition Factor is +15% In a Northern European climate (ie most areas of Great Britain), the Condition Factor is +0%.
 - **EXAMPLE:** You have a 2200 litre goldfish pond 0.75m deep (Condition Factor +25%). You live in London - a Northern European climate (Condition Factor +0%). The pond is exposed to full sunlight (+25%). The effective volume of your pond is therefore increased by 50% (25% + 25%), and you would need to size your equipment as though your pond held 3300 litres.
- 2.2 **Flow Rate:** For best results the pond volume should pass through the Bioforce Revolution every 1½ - 2½ hours, the fastest flow rate being recommended for Koi ponds. Do not exceed the maximum flow rate, as stated in the Technical Information Chart overleaf. Correct flow rate is essential if you are to obtain clear water. If your installation does not suffer from high losses (ie long hose runs) it may be necessary to adjust the flow to achieve the 1½ - 2½ hours turnover rate using a flow control hose tap.

Small-diameter hose, unnecessarily long hose runs and a high pumping lift ('head') can all considerably reduce a pump's output. We recommend choosing a pump that will deliver the required flow against full static lift (= vertical distance between pond surface and filter inlet), plus 0.6m (2ft) to allow for friction losses in hoses.

The object of filtration is to transfer waste material from the pond into the filter, and so any pump used as part of the package should be capable of handling solids such as Hozelock Cyprio's range of Aquaforce pumps which have been specifically designed for ponds in the size range covered by Bioforce Revolution. The pump should be positioned in the deepest part of the pond to ensure the best circulation of water in the pond and maximise its solids handling capability. The pump should be installed on a flat level platform which is raised 300mm off the bottom of the pond. This will prevent the pump sucking dirt directly from the bottom of the pond and will also ensure that sufficient water remains in the pond in the event of accidental leakage of pond water.

How to check your flow rate: Take a container of a known volume and time how long it takes to fill (in seconds). Then divide 3600 by the number of seconds it takes to fill the container, and multiply by the volume (litres or gallons) of the container. The result will be the flow rate in litres or gallons per hour (lph or gph).
- 2.3 **Fish Stocking Density:** Under normal conditions and feeding regime, the Bioforce Revolution range will support up to 50cm per 1000 litres (10" of fish per 100 gallons) of pond capacity. Introduce fish slowly over the first few weeks, up to 20% of maximum recommended level, increasing this if you wish to 50% after six months. The balance will allow for fish growth.
- 2.4 **Pond Treatments:** Some medications/ treatments can degrade very quickly by UVC radiation. Consider switching off the filter during disease treatment. The mechanical and biological filtration will continue to work.

If treating your pond for blanketweed, turn off your pump and filter for the duration of treatment until the treated blanketweed has been removed from the pond
- 2.5 Extra care should be taken with any hose connections as leaks will result in loss of water from the pond.

Installation

- 3.1 **Important:** Do not use a pump with a flow rate greater than 8000lph or a maximum head greater than than 5m with the Bioforce Revolution range of filters.
- 3.2 **Important:** Bioforce Revolution filters must only be installed in an upright vertical position (Fig. 6).

- 3.3 Bioforce Revolution filters are pump-fed, pressurised external filter and UVC units, suited to either above ground (Fig. 7) or in-ground (Fig. 8) installation adjacent to your pond or concealed at the top of a waterfall.

If you choose to install your filter above ground, place the filter on flat level ground.

If you choose to part-bury your filter, the excavation should be firmly back-filled with compacted sand to support the unit. If you choose this type of installation, you should leave a minimum of a 50mm gap between the clamp and ground level ensuring it is easily removable for annual maintenance.

- 3.4 Using small bore hoses leads to excessive restriction of the water flow. The larger the diameter of hose that you use the better the performance of the filter will be, especially over long hose runs. The hoses supplied with this unit will accommodate 25mm (1"), 32mm (1¼") and 40mm (1½") Cypriflex hose. We would always recommend that on the Bioforce Revolution filters, that the 40mm diameter hose should be used to avoid water flow restriction.

Once you have selected the hose diameter you wish to use, cut the steps off the hoesetail which are smaller than the hose diameter to eliminate restriction (Fig. 9).

The pump which supplies the filter and the outlet of the pond return hose should be as far apart as possible for optimal water circulation, so bear this in mind when purchasing, measuring and cutting the Cypriflex hose.

Attach a suitable length hose between the supply pump and the filter inlet (Fig. 10 (i)) securing the hose to the hosesails using Hozelock Cyprio hoseclips, available separately. Then connect a suitable length of hose to the filter outlet (Fig. 10 (ii)) in the same way. For details on the waste outlet (Fig. 10 (iii)), refer to the section "Cleaning".

Place the pump in the pond in a suitable location and position the end of the outlet hose so that filtered water returns to the pond.

Avoid kinks and sharp bends when positioning the hoses. Keep the hose runs as short as possible to minimise the restriction of flow.

- 3.5 Ensure the winding handle is positioned over the electrical housing. Take the winding handle knob & cover supplied and connect it to the cleaning handle by locating it on the handle and clicking it in place (Fig. 11).

Your filter is now ready for use.

Operation

- 4.1 Ensure the Diverter Valve is turned to the pond outlet (Fig. 12).
- 4.2 Connect the filter's supply cord (See section 1 – Safety & Electrical Connections). This switches on the UVC lamp. You can check that the lamp is working by looking for the blue glow in the UV lamp indicator lens in the top housing (Fig. 1 (c)).
- 4.3 Switch on the pump.

- 4.4 **Periods of Operation:** Keep the filter working 24 hours a day. Ideally it should run all year round but at least throughout the feeding season (ie until water temperature falls below 10°C). In winter, operating the pump and filter will maintain a basic level of useful bacteria in the Bioforce and will help prevent the pond icing over. If you switch off the pump for winter, wash the filter thoroughly before resuming filtration in the spring (see "Winter Storage", 11.0). Never feed your fish when the filter is not in use.

Maturation

- 5.1 Biological maturation means that the filter has built up enough nitrifying bacteria to convert harmful fish and other organic waste (ie ammonia, nitrite) into relatively harmless nitrate. The process normally takes 6-8 weeks, but depends on many factors such as water temperature, feeding rate and stocking density. Speed up maturation by adding a maturing agent such as Hozelock Cyprio Filter Start.

Cleaning

When to clean your Bioforce Revolution.

Bioforce Revolution filters deliver maximum performance with minimum maintenance. If the pond is very dirty, the filter may need cleaning every few days at first, as it takes up waste matter very quickly. Once the pond becomes clearer, there will be less waste to remove, so the filter will need cleaning less often. Pressurised filters are at their most efficient when the foam becomes partly blocked. However, as blockage increases, the flow rate drops as less water can flow through the foam and cleaning becomes necessary.

- 6.1 Switch off the pump at the mains.
- 6.2 Connect a suitable length of hose to the waste outlet (Fig. 10(iii)) using the hosesail provided and a hoseclip. The end of the waste hose can be positioned above a drain or over a flowerbed. The waste water makes excellent fertiliser.
- 6.3 Wind the handle several times. We recommend several revolutions in both clockwise and anticlockwise directions (Fig. 13). As the handle is rotated, the yellow cleaning blades (Fig. 2 (g)) will rotate breaking apart and squeezing each foam cube releasing debris which they have collected.
- 6.4 Turn the diverter valve to the waste position (Fig. 14). You will hear a "click".
- 6.5 Switch on the pump.
- 6.6 Continue winding the handle (complete revolutions in both directions). Initially the waste water will be an intense green or brown colour depending on your pond's set up.

After a short period of time the intensity of the colour of the waste water fades and the water will start to clear. At this point, stop winding and return the handle to the stowage position above the main housing (Fig. 15).

Wait 5 seconds for the last bits of waste to be flushed through and turn the diverter valve back to pond.

WARNING: Leaving the valve in the waste position will empty the pond. Make sure it is switched back to pond outlet.

- 6.7 The time required to clean your filter depends on several factors, but the more regularly you clean your filter, the shorter the cleaning time required. Typically the cleaning will take a few minutes.

From time to time, you will need to top up your pond to replace the waste water removed during cleaning. Partial water changes are an important aspect of maintaining a healthy pond water system.

Maintenance

Warning: Read these maintenance instructions before opening the appliance.

Warning: do not attempt to remove the lid or electrical housing when the pump and filter are in use. A slot for a padlock is provided in the lid clamp to prevent accidental opening and we recommend this is used where children are likely to be present.

7.1 Replacing the UV lamp:

Warning: The appliance must be disconnected from the power supply before disconnecting the UV-C emitter.

A UV lamp's effectiveness reduces significantly over time so you should replace your lamp every 12 months even if the lamp is still functioning.

- 7.1.1 Switch off the power to the supply pump and filter.
- 7.1.2 Turn the diverter valve to waste. This allows the internal pressure to equalise with atmospheric pressure and allows easy removal of the electrical housing without water being drawn up onto the top surface of the lid.
- 7.1.3 Wind the cleaning handle by half a turn so that it is out of the way of the electrical housing (Fig. 16 (i)).
- 7.1.4 Use a screwdriver to remove the 5 screws which secure the electrical housing to the lid. (Fig 16 (ii)). There is a pocket provided between the filter's inlet and outlet to store the screws while you change the lamp (Fig. 16 (iii)).
- 7.1.5 Grip the electrical housing and gently pull up to remove the electrical housing. Turn the housing upside down and place on a dry level surface.
- 7.1.6 (Fig. 17) Unscrew the quartz tube locking collar (i). Gently hold the quartz tube (ii), lift up and remove together with its o-rings (iii) and locking collar.
- 7.1.7 Remove the old lamp by gently pulling it from its holder and remove the black protection cap from the end of the lamp (Fig. 17 (iv)) and remove the reflector plate (Fig. 17 (v)). Dispose of the old lamp according to local regulations and fit the new lamp.
- 7.1.8 Refit the reflector plate and push the black cap on to the end of the lamp.
- 7.1.9 Slide the quartz tube down over the lamp. Ensure that the two o-rings at the base of the quartz tube are clean and free from debris.
- 7.1.10 Slide the locking collar down over the quartz tube and screw down. You should screw down until the stop of the locking collar hits the stop of the housing so that the collar cannot be screwed down any more.

- 7.1.11 Refit the electrical housing. The housing can only be fitted in one position so do not try to force it down. Once in position, replace the 5 screws. The screws must be fully screwed down to ensure that the interlock switch is activated.

- 7.1.12 Turn the diverter valve back to pond and position the cleaning handle in the stowage position.

- 7.1.13 Re-start the pump first checking for leaks, then switch on the UV lamp. Check for the bluish glow from UV indicator lens.

7.2 Care of UV quartz tube:

Especially in hard water areas the quartz tube sheathing the UVC lamp may become covered in limescale. This will reduce the efficiency of the unit if it is allowed to build up. To clean, switch off the pump and the power supply to the UV, remove the electrical housing, as described in 7.1, and wipe the quartz tube with a soft cloth moistened with a gentle cleaning agent such as vinegar (See fig 18). You should wear protective clothing when cleaning the quartz tube such as safety glasses and gloves.

7.3 Cypricube foam replacement:

Inspect your foam annually. The frequency of foam replacement will depend on your pond's set up. We recommend that foams are replaced during winter and before you start feeding the fish again at the start of the spring*. Changing the foam at other times of the year may cause the pond chemistry to alter and this may harm your fish.

*As pond water cools in the autumn, fish start slowing down in preparation for a period of semi-dormancy. Their digestive and immune systems slow down, and they are not capable of digesting the same types of foods that they can during the warmer months. If they are hungry they will feed off more simple foods which naturally occur in the pond environment. Therefore, once the pond water temperature falls below 10°C for a prolonged period of time, you should stop feeding your fish. Once the weather begins to warm at the start of the spring, as the fish start to become more active you can gradually start to feed your fish again.

- 7.3.1 Switch off the power to the supply pump and filter.
- 7.3.2 Turn the diverter valve to waste. This allows the internal pressure to equalise with atmospheric pressure and allows easy removal of the lid.
- 7.3.3 Unlatch the lid clamp (Fig. 2(n)). Gently release and remove the lid by using the 2 levers in opposite slots (Fig. 19). It may help if you remove the attached hoses.
- 7.3.4 Lift and remove the foam bucket (Fig. 2(i)) and discard the old foam. Empty the water from inside the filter vessel collecting the bio-media in a net. The bio-media does not require any maintenance.
- 7.3.5 If the bottom of the vessel is coated in a layer of sludge, rinse out the bottom of the vessel with some pond water.
- 7.3.6 Replace the bio-media ensuring it is located around the bio-trumpet (Fig. 2(o)) at the bottom of the vessel. There must be no bio-media inside the bio-trumpet (Fig. 20).

7.3.7 Place the foam bucket into the vessel. Rotate the foam bucket until the small triangles at the top of the foam bucket align with one of the vertical lines on the inside of the filter vessel (Fig. 21). The foam bucket will drop into place. **Ensure that the foam bucket is correctly positioned to allow easy location of the lid.**

7.3.8 Fill the foam bucket with the recommended amount of replacement Cypricube foam. Don't worry if the new dry foam cubes take up a little more space when they are new. Ensure no foam falls down the central hole into the bio-trumpet area.

Never squash down your foam to fit more in. The dry foam should be loosely added and should not fill higher than the filter vessel (Fig. 22). Adding too much foam will make it harder to clean the filter.

7.3.9 Ensure that the seal (Fig. 2(l)) at the top of the filter vessel is in position and free from dirt and debris. Add a light coating of silicone grease to the seal if required to help assembly. Refit the lid. Slide the central black tube which covers the UV lamp down through the central hole.

7.3.10 Re-fit the lid clamp. Ensure that there is no build up of water beneath the band clamp and keep the hinged lever lubricated using an oil based lubricant.

7.3.11 Turn the diverter valve back to pond and position the cleaning handle in the stowage position.

7.3.12 Re-start the pump first checking for leaks. Then switch on the UV lamp. Check for the bluish glow from UV indicator lens.

Winter Storage

8.1 In cold winter weather (when fish are inactive and algae growth ceases) the unit may be switched off. It should then be removed, thoroughly washed, cleaned and dried and stored in a dry frost protected area. Always store the unit with the lid off to ensure adequate ventilation and drying.

Troubleshooting/FAQs

Problem	Possible cause	Remedy
No water flow through filter to pond.	Supply pump not switched on or not working.	Check that the pump is working and switched on.
	Supply hose blocked.	Check supply hose and pond return hose for blockages.
	Diverter valve set to "Waste"	Turn diverter valve to "Pond".
Reduced flow through filter	Foams are blocked.	Clean filter (See "Cleaning").
	Supply hose blocked.	Check supply hose and pond return hose for blockages.

Problem	Possible cause	Remedy
Water does not clear	New Filter has not matured yet.	The pond water clarity should start to improve within 2-3 weeks, but full biological maturation can take 6-8 weeks before the filter is fully effective.
	Wrong sized filter for your pond.	Check you are using the appropriate filter for your pond set up.
	Wrong size supply pump.	Check your flow rate. See 2.2.
	Blown UV lamp.	Check UV indicator lens. Replace UV lamp.
	Old UV lamp.	Replace UV lamp every 12 months.
	Foams need cleaning.	Clean filter (See "Cleaning").
	The outlet of the pond return hose is positioned above the supply pump	Move the pump or the outlet of the pond return hose so that they are as far apart as possible.
	Pond is overstocked with fish.	Reduce the quantity of fish in your pond.
	Overfeeding.	Only feed your fish with as much food as can be consumed in a few minutes. Only feed once per day.
Cleaning handle does not rotate.	Pump is running at the start of cleaning.	Switch off pump. Wind the handle in both directions several times. Switch on your pump (See "Cleaning").

Hozelock Cyprio Clearwater Guarantee

WE GUARANTEE YOU CLEAR WATER OR YOUR MONEY BACK for a Hozelock Cyprio Bioforce Revolution when used with the appropriate pump. This guarantee runs for 12 months after purchase, provided that

- You have followed the installation and operating instructions.
- You are using equipment of the correct size, according to Hozelock Cyprio's sizing information.
- You consult our Helpline (0121 313 1122) early enough for any problems to be put right.
- The product has been returned undamaged.

A refund can only be authorised by Hozelock Cyprio and is made only at the place of purchase to the value of the purchase price of the filter only. Please note that the Clearwater Guarantee does not cover loss of water clarity when blanketweed, as opposed to greenwater algae, is the cause.

Hozelock Cyprio 2 Year Guarantee

If this Bioforce Revolution (excluding Lamp) becomes unserviceable within 2 years of the date of purchase it will be repaired or replaced at our option free of charge, unless in our opinion it has been damaged. Liability is not accepted for damage due to accident, improper installation or use. Liability is limited to replacement of the faulty unit. This guarantee is not transferable. It does not affect your statutory rights. To obtain the benefits of this guarantee, firstly contact Hozelock Cyprio Consumer Services (0121 313 1122) who may request that the unit is sent along with proof of purchase directly to the address below.

Contact/Spare Parts

For product advice and spares please contact Hozelock Cyprio Consumer Services on 0121 313 1122 or visit www.hozelock.com

Technical Information

Part Number	1352	1353	1354
Range	Bioforce Revolution		
Volts (V)	230V 50Hz		
UVC Power (W)	18	24	36
Maximum Pond size with Fish	6000 ltr (1320 gal)	9000 ltr (1980 gal)	14000 ltr (3080 gal)
Maximum Pond size without Fish	12000 ltr (2640 gal)	18000 ltr (3960 gal)	28000 ltr (6160 gal)
Max Hozelock Cyprio Aquaforce Pump Size (lph)	4000	6000	8000
Max Flow, QMAX, (LPH)	3000	4500	7000
IP Rating	IP57	IP57	IP57
Max Water Temperature TMAX,, (°C)	35°C	35°C	35°C
Bioforce Revolution Cleaning System	✓	✓	✓
* Measured under controlled conditions			



Do not dispose of electrical appliances as unsorted municipal waste, use separate collection facilities. Contact your local government for information regarding the collection systems available. If electrical appliances are disposed of in landfills or dumps, hazardous substances can leak into the groundwater and get into the food chain, damaging your health and well-being. In the EU, when replacing old appliances with new ones, the retailer is legally obligated to take back your old appliance for disposal at least free of charge.

D

Vielen Dank, dass Sie sich für ein Qualitätsprodukt von Hozelock entschieden haben. Sie können versichert sein, dass Ihnen dieses Produkt zuverlässige Dienste erweisen wird.

- a Elektrikgehäuse
- b Deckeleinheit
- c Kontrolllinse für UV-Lampe
- d Drehknopf der Reinigungskurbel
- e Reinigungskurbel
- f Umleitventil
- g Reinigungsfinger (gelb)
- h Abdeckröhre für UV-Lampe
- i Schaumgefäß
- j CyprioCube-Schaum
- k Biomedien
- l Behälter-O-Ring
- m Filterbehälter
- n Deckelklemme
- o Biotrompete
- p Schlauchanschluss & Mutter
- q Hebel

Installations- und gebrauchsanweisungen



LESEN SIE DIESE ANWEISUNGEN SORGFÄLTIG DURCH, BEVOR SIE DIE INSTALLATION ANGEHEN.

EINE NICHTBEACHTUNG DER FOLGENDEN HINWEISE KANN ZU VERLETZUNGEN, PRODUKTSCHÄDEN UND ZUM VERLUST VON FISCHEN FÜHREN.

BEWAHREN SIE DIESE GEBRAUCHSANLEITUNG ZUR SPÄTEREN BEZUGNAHME AUF.

Dieser Teichfilter der Reihe „Bioforce Revolution“ von Hozelock Cyprio beruht auf einem neuen Konzept zur einfach aufrechterhaltbaren Wasserfiltration für Gartenteiche.

Produktmerkmale:

- Kompakt und effizient
- Einfach installierbar
- Problemlos zu reinigen und zu warten
- Kann fast überall platziert werden

Wenn der Gartenteichfilter mit der richtigen Teichpumpe zum Einsatz kommt, verbessert er die Wasserklarheit, entfernt er unerwünschte Feststoffe aus dem Teich und wandelt er gelöste organische sowie chemische Fischausscheidungen in harmlose Verbindungen um.

Vorsicht: UV-Strahlung

Dieses Gerät enthält einen UV-C-Strahler. Durch unbeabsichtigte Verwendung des Geräts oder eine Beschädigung des Gehäuses kann gefährliche UV-C-Strahlung austreten. UV-C-Strahlung kann auch in geringer Menge die Augen und die Haut schädigen. Die UV-Lampe ist mit

einer Verriegelung ausgestattet, über welche die Lampe ausgeschaltet wird, wenn jemand das Elektrikgehäuse öffnet.

Wenn die UV-Lampe eingeschaltet ist, kennzeichnet das von der Kontrolllinie ausgehende, bläuliche Leuchten, dass die Lampe funktioniert. Lassen Sie das Gerät nicht trocken laufen.

Achtung: Versuchen Sie nicht, den UV-C-Strahler anderweitig zu benutzen, wenn Sie ihn aus dem Gerätegehäuse genommen haben.

Wichtig!

Die Verwendung dieses Geräts darf nicht durch Personen (einschließlich von Kindern) mit begrenzten körperlichen, sensorischen oder geistigen Fähigkeiten oder Mangel an Erfahrung und entsprechenden Kenntnissen erfolgen. Der Benutzer muss vorher von einer Person, die für seine Sicherheit verantwortlich ist, im Gebrauch des Geräts unterwiesen werden. Kinder sollten beaufsichtigt werden, um zu verhindern, dass sie mit dem Gerät spielen. Wenn das Gerät offensichtlich beschädigt ist, darf es nicht gebraucht werden.

Achtung: Sicherheit & elektrische Anschlüsse

- 1.1 **ACHTUNG: WÄHREND DER HANDHABUNG, INSTALLATION, REPARATUR ODER WARTUNG DER AUSRÜSTUNG MÜSSEN IMMER ALLE GERÄTE IM TEICH VON DER STROMVERSORGUNG GETRENNT SEIN, BEVOR SIE IHRE HÄNDE INS WASSER TAUCHEN.**
- 1.2 Dieser Teichfilter ist ausschließlich für den Gebrauch mit Gartenteichen vorgesehen. Benutzen Sie den Filter zu keinem sonstigen Zweck (d. h. er darf beispielsweise nicht für Swimmingpools verwendet werden). Wenn Sie das Produkt für andere Anwendungen gebrauchen, können dadurch Verletzungen und Produktschäden entstehen.
- 1.3 Geräte, die offensichtlich beschädigt sind, dürfen nicht verwendet werden.
- 1.4 Die durchsichtige Röhre innerhalb des Geräts besteht aus Quarzglas, sodass bei der Installation und Wartung Vorsicht geboten ist. Wir empfehlen Ihnen, einen Augenschutz und geeignete Handschuhe zu tragen.
- 1.5 **Wichtig!** Dieses Produkt wird mit einem 5 m langen, elektrischen Kabel geliefert (3-adrig). Da der mit diesem Produkt mitgelieferte Stecker nicht wasserdicht ist, muss sein Anschluss am Stromnetz gemäß Ihren lokalen Vorschriften innerhalb eines trockenen und wetterfesten Gehäuses erfolgen.
- 1.6 **Wichtig!** Dieses Produkt wird mit einem 5 m langen, elektrischen Kabel geliefert (3-adrig). Da der mit diesem Produkt mitgelieferte Stecker nicht wasserdicht ist, muss sein Anschluss am Stromnetz gemäß Ihren lokalen Vorschriften innerhalb eines trockenen und wetterfesten Gehäuses erfolgen.
- 1.7 **ACHTUNG:** Dieses Gerät MUSS geerdet werden, und es ist überaus wichtig, die Anschlüsse gemäß folgender Legende zu machen:
 - BRAUN: stromführend
 - BLAU: neutral
 - GELB-GRÜN: Masse
- 1.8 Freiliegende Kabelführungen sollten insbesondere dann vernünftig platziert und durch ein Panzerrohr geschützt werden, wenn die Gefahr besteht, dass die Führungen mit Gartengeräten wie Gabeln und Rasenmähern oder Kindern und Haustieren in Kontakt kommen können.
- 1.9 Am Stromnetz muss ein Fehlerstromschutzschalter (RCD; für maximal 30 mA) angeschlossen sein.
- 1.10 Permanente Installationen am Stromnetz (Festverdrahtungen) müssen die nationalen und regionalen Verdrahtungsregelungen einhalten. Wenden Sie sich an einen qualifizierten Elektriker oder an die lokalen Stadtwerke, wenn Sie beim Anschluss ans Stromnetz Zweifel haben.
- 1.11 Benutzen Sie nicht das Netzkabel oder die Reinigungskurbel, um den Filter zu bewegen oder zu heben, weil er sonst beschädigt werden kann. Wenn Sie den Filter bewegen wollen, müssen Sie ihn zuerst ausschalten und leeren (Wasser ablassen). Greifen Sie dann den Bereich, wo der Deckel am Hauptbehälter festgeklemmt ist, um den Filter zu heben.
- 1.12 Setzen/Lehnen Sie sich niemals auf/gegen die Reinigungskurbel! (Abb. 4)
- 1.13 Benutzen Sie niemals die Reinigungskurbel, um den Filter zu heben. Greifen Sie immer mit beiden Händen den Randbereich des Deckels, wenn Sie das Gerät tragen wollen (Abb. 5).
- 1.14 Lassen Sie Ihren Filter nicht trocken laufen.
- 1.15 Während der Filter in Gebrauch ist, dürfen die Auslässe nicht blockiert werden.
- 1.16 Das Gerät darf nicht verwendet werden, wenn das Netzkabel auf irgendeine Weise beschädigt wurde. Das Stromversorgungskabel kann nicht ausgetauscht werden. Wenn das Kabel beschädigt ist, sollte das Elektrikgehäuse gemäß den örtlichen Bestimmungen entsorgt werden.
- 1.17 Schützen Sie das Gerät vor Frost, wenn es das ganze Jahr über nicht zum Einsatz kommt. (siehe Abschnitt „Winterpflege“)
- 1.18 Schützen Sie den Filter vor direkter Sonneneinstrahlung.
- 1.19 Dieses Produkt eignet sich nicht für Wassertemperaturen von über 35°C oder unter 0°C.
- 1.20 Benutzen Sie ausschließlich Zubehörteile, die für den Gebrauch mit diesem Produkt ausgelegt sind. Die Verwendung anderer Zubehör- und Ersatzteile kann Ihre Garantie für ungültig erklären.

Allgemeine Leitfäden

- 2.1 Die Tabelle mit den technischen Informationen auf der Rückseite bietet eine allgemeine Orientierung anhand der Spezifikationen des Gartenteichfilters und der empfohlenen Pumpe. Zur Erzielung bester Ergebnisse sollten jedoch mehrere weitere Bedingungsfaktoren in Betracht gezogen werden, da diese die Leistungsfähigkeit des Filters verringern.
 - **Teichtiefe:** Hozelock Cyprio empfiehlt eine Mindesttiefe von 1,2 m bei Koi-Teichen. Bei einem Teich mit einer durchschnittlichen Tiefe von weniger als 0,75 m beträgt der Bedingungsfaktor +25%. Flache Teiche sind der vollen Einwirkung des Sonnenlichts ausgesetzt,

sodass sie sich zügig erwärmen. Dies begünstigt das Wachstum von Algen.

- **Teichplatz:** Der Teichplatz bestimmt die tägliche Menge an Sonnenlicht/Schatten, das/den der Teich erhält. Teiche, die den gesamten Tag lang der Sonneneinstrahlung ausgesetzt sind, haben auch einen Bedingungsfaktor von +25%.
- **Klima:** Das Klima hat Auswirkungen auf die Wassertemperatur, die Bewegungshäufigkeit der Fische und ihren Bedarf an Futter. Je aktiver die Fische, desto größer sind die Ansprüche an die Filtrieranlage. Bei einem heißen Klima (wie z. B. in Südafrika) beträgt der Bedingungsfaktor +35%, bei einem gemäßigten Klima (wie z. B. in Südeuropa) beträgt er +15%, und bei einem nordeuropäischen Klima (wie z. B. in den meisten Gebieten Großbritanniens) liegt der Faktor bei 0%.
- **BEISPIEL:** Sie haben einen Goldfischteich mit einem Wasservolumen von 2200 Litern und einer Tiefe von 0,75 m (Bedingungsfaktor: +25%). Da Sie in London leben, handelt es sich dort um ein nordeuropäisches Klima (Bedingungsfaktor: 0%). Ihr Teich ist der gesamten Einstrahlung des Sonnenlichts ausgesetzt (Bedingungsfaktor: +25%). Das effektive Volumen Ihres Teichs ist daher um 50% (25% + 25%) gestiegen, sodass Sie Ihre Ausrüstung so auslegen müssten, als würde Ihr Teich 3300 Liter Wasser enthalten.

- 2.2 **Durchflussrate:** Zur Erzielung bester Resultate sollte das Teichvolumen alle 1½ bis 2½ Stunden den Teichfilter durchfließen, was die höchste Durchflussrate darstellt, die für Koi-Teiche empfehlenswert ist. Wie der Tabelle mit den technischen Informationen auf der Rückseite zu entnehmen ist, darf die maximale Durchflussrate nicht überschritten werden. Wenn Sie klares Wasser erhalten wollen, ist die korrekte Durchflussrate von wesentlicher Bedeutung. Falls Ihre Installation keine hohen Verluste einzubüßen hat (z. B. lange Schlauchführungen), muss der Durchfluss möglicherweise mithilfe eines zur Durchflussregelung vorgesehenen Schlauchhahns eingestellt werden, um die Durchsatzgeschwindigkeit von Teichvolumen pro 1½ bis 2½ Stunden zu erreichen.

Schläuche mit kleinem Durchmesser, unnötig lange Schlauchführungen und eine große Förderhöhe können alle erheblich die Pumpenleistung schmälern. Wir empfehlen Ihnen, eine Pumpe auszusuchen, die gewährleistet, dass der erforderliche Durchfluss gegen die volle statische Förderhöhe (der senkrechte Abstand zwischen Teichoberfläche und Filtereinlass) plus 0,6 m für die Reibungsverluste in den Schläuchen erfolgt.

Das Ziel der Filtration besteht darin, alle Abfallstoffe aus dem Teich in den Teichfilter zu leiten, sodass die dazugehörige Pumpe für Feststoffe ausgelegt sein muss, wie z. B. Hozelock Cyprios Auswahl an Aquaforce-Pumpen, die insbesondere bei Teichen zum Einsatz kommen, die eine Größe besitzen, für die unsere Bioforce-Revolution-Filter geeignet sind. Zur Gewährleistung der bestmöglichen Wasserzirkulation und zur Maximierung ihres Feststofffördervermögens sollte die Pumpe an der tiefsten Stelle des Teichs platziert werden. Installieren Sie die Pumpe auf einer flachen und ebenen Plattform in einem Abstand von 300 mm zum Teichboden. Dadurch vermeiden Sie, dass die Pumpe direkt Schmutz vom Boden aufnimmt, und zudem bleibt dann immer ausreichend Wasser im Teich,

falls dieser aus irgendeinem Grund Wasser verliert.

Wie Sie Ihre Durchflussrate überprüfen: Nehmen Sie einen Behälter mit bekanntem Volumen und stoppen Sie, wie lange es dauert, ihn zu füllen (in Sekunden). Teilen Sie dann 3600 durch die Anzahl der Sekunden, die Sie zum Füllen des Behälters gebraucht haben, und multiplizieren Sie das Ergebnis mit dem Behältervolumen (Liter). Das Endresultat ist die Durchflussrate in Litern pro Stunde (L/h).

- 2.3 **Fischbestandsdichte:** Unter normalen Bedingungen und bei planmäßiger Fütterung unterstützen unsere Gartenteichfilter der Reihe „Bioforce Revolution“ bis zu 50 cm Fische pro 1000 Liter des Teichfassungsvermögens. Setzen Sie in den ersten paar Wochen langsam Ihre Fische ein, bis Sie maximal 20% der empfohlenen Höchstmenge erreicht haben, was Sie nach sechs Monaten wunschgemäß auf 50% erhöhen können. Das Gleichgewicht wird das Fischwachstum ermöglichen.
- 2.4 **Behandlungsmittel:** Einige Medikamente/Behandlungsmittel können durch UV-C-Strahlung sehr schnell zerfallen. Der Teichfilter sollte daher während einer Krankheitsbehandlung ausgeschaltet sein. Die mechanische und die biologische Filtration werden weiterhin stattfinden.
- Wenn Sie in Ihrem Teich Fadenalgen bekämpfen, müssen Sie Ihre Pumpe und Ihren Filter für die Dauer der Behandlung ausgeschaltet lassen, bis die Fadenalgen aus Ihrem Teich entfernt sind.
- 2.5 Bei jedem Schlauchanschluss ist oberste Vorsicht geboten, weil undichte Stellen dazu führen, dass Ihr Teich Wasser verliert.

Installation

- 3.1 **Wichtig!** Unsere Gartenteichfilter der Produktfamilie „Bioforce Revolution“ dürfen nicht mit einer Pumpe mit einer Durchflussrate von höher als 8000 L/h oder einer maximalen Förderhöhe von größer als 5 m verwendet werden.
- 3.2 **Wichtig!** Ihr Bioforce-Revolution-Filter darf nur in senkrechter Position installiert werden (Abb. 6).
- 3.3 Bioforce-Revolution-Filter sind externe, pumpengespeiste Druckfilter- und UV-C-Einheiten, die neben Ihrem Teich entweder auf (Abb. 7) oder in den Boden (Abb. 8) gesetzt oder auch verdeckt oben an einem Wasserfall platziert werden können.
- Wenn Sie Ihren Teichfilter auf den Boden setzen wollen, muss dieser flach und eben sein.
- Falls Sie Ihren Teichfilter jedoch teilweise eingraben, sollten Sie seinen umgebenden Bereich nach dem Einsetzen ins Loch fest mit dichtem Sand füllen, um die Filtereinheit zu stützen. Wenn Sie sich für diese Art der Installation entscheiden, sollte zwischen Bodenhöhe und der Klemme ein Abstand von mindestens 50 mm vorhanden sein, sodass Sie das Gerät zur jährlichen Wartung auf einfache Weise aus dem Boden ziehen können.
- 3.4 Die Verwendung von Schläuchen mit kleinem Durchmesser führt zu einem übermäßig eingeschränkten Wasserfluss. Je größer der Schlauchdurchmesser, desto besser wird die Leistungsfähigkeit Ihres Teichfilters sein (insbesondere bei langen Schlauchführungen). Die mit dieser

Filtereinheit mitgelieferten Schlauchanschlüsse eignen sich für 25 mm, 32 mm und 40 mm Cypriflex-Schläuche. Bei unseren Teichfiltern der Reihe „Bioforce Revolution“ empfehlen wir Ihnen immer, 40 mm Schläuche zu verwenden, um Einschränkungen im Wasserfluss zu vermeiden.

Wählen Sie Ihren gewünschten Schlauchdurchmesser aus und schneiden Sie am Schlauchanschluss die Stufen ab, die kleiner sind als Ihr Schlauchdurchmesser, sodass keine Einschränkung entsteht (Abb. 9).

Beim Kaufen, Abmessen und Schneiden Ihres Cypriflex-Schlauchs ist darauf zu achten, dass sich die den Teichfilter versorgende Pumpe und der Auslass des zum Teich zurückführenden Schlauchs für eine ideale Wasserzirkulation weitmöglichst voneinander entfernt befinden sollten.

Montieren Sie einen Schlauch mit geeigneter Länge zwischen der Versorgungspumpe und dem Filtereinlass (Abb. 10 i) und festigen Sie die Verbindung zwischen dem Schlauch und seinem Anschluss mit einer bei Hozelock Cyprio separat erhältlichen Schlauchschelle. Schließen Sie dann auf gleiche Weise einen Schlauch mit geeigneter Länge am Filterauslass an (Abb. 10 ii). Einzelheiten zum Schmutzwasserablauf (Abb. 10 iii) finden Sie in Abschnitt „Reinigung“.

Setzen Sie die Pumpe an einer geeigneten Stelle in den Teich und platzieren Sie das Ende des Auslassschlauchs so, dass das gefilterte Wasser zurück in den Teich fließt.

Nachdem Sie Ihre Schläuche platziert haben, dürfen diese weder geknickt noch übermäßig gebogen sein. Halten Sie die Schlauchführungen so kurz, wie Sie können, um die Möglichkeit von Einschränkungen im Wasserfluss zu minimieren.

- 3.5 Achten Sie darauf, dass sich die Reinigungskurbel über dem Elektrikgehäuse befindet. Nehmen Sie den mitgelieferten Drehknopf (mit Abdeckung) und verbinden Sie ihn mit der Reinigungskurbel, indem Sie ihn an die Kurbel stecken, bis er einrastet (Abb. 11).

Ihr Gartenteichfilter ist nun betriebsbereit.

Betrieb

- 4.1 **Achten Sie darauf, dass das Umleitventil in Richtung des Filterauslasses gestellt ist (Abb. 12).**
- 4.2 Schließen Sie das Versorgungskabel des Filters an (siehe Abschnitt 1: „Sicherheit & elektrische Anschlüsse“). Dadurch wird die UV-Lampe eingeschaltet. An dem bläulichen Leuchten, das von der Kontrolllinse oben am Elektrikgehäuse (Abb. 1 c) ausgeht, erkennen Sie, dass die UV-Lampe funktioniert.
- 4.3 Schalten Sie die Pumpe ein.
- 4.4 **Betriebszeiträume:** Lassen Sie den Teichfilter täglich 24 Stunden laufen. Idealerweise sollte er das ganze Jahr über oder zumindest während der Fütterungszeit laufen (d. h. bis die Wassertemperatur auf unter 10°C fällt). Im Winter ist es sinnvoll, die Pumpe und den Teichfilter laufen zu lassen, weil dadurch im Filter eine Grundmenge an nützlichen Bakterien verbleibt und dies dazu beiträgt, dass der Teich nicht vereist. Wenn Sie die Pumpe für den Winter ausschalten, müssen Sie den Filter gründlich waschen, bevor Sie die Filtration im Frühjahr fortsetzen (siehe Abschnitt „Aufbewahrung im Winter“). Füttern Sie niemals Ihre Fische, wenn Ihr Teichfilter nicht in Betrieb ist.

Reifung

- 5.1 Biologische Reifung bedeutet, dass der Teichfilter genügend nitrifizierende Bakterien angesammelt hat, um schädliche Fischausscheidungen und sonstige organische Abfallstoffe (wie Ammoniak und Nitrit) in relativ harmloses Nitrat umzuwandeln. Der Prozess dauert gewöhnlich 6 bis 8 Wochen, jedoch ist er von vielen Faktoren wie der Wassertemperatur, der Fütterungshäufigkeit und der Fischbestandsdichte abhängig. Sie können den Reifungsprozess beschleunigen, indem Sie ein Reifungsmittel wie Hozelock Cyprios „Filter Start“ hinzugeben.

Reinigung

Wie und wann Sie Ihren Bioforce Revolution reinigen:

Unsere Bioforce-Revolution-Filter bieten höchstes Leistungsvermögen bei minimalem Wartungsaufwand. Wenn Ihr Gartenteich sehr schmutzig ist, muss der Teichfilter am Anfang möglicherweise alle paar Tage gereinigt werden, weil er die Abfallstoffe sehr schnell aufnimmt. Sobald das Teichwasser klarer wird, müssen weniger Abfallstoffe entfernt werden, sodass der Filter auch seltener gereinigt werden muss. Ihr Druckfilter ist dann am effizientesten, wenn der Schaum teilweise den Wasserfluss blockiert. Nimmt die Blockierung jedoch zu, so verringert sich die Durchflussrate, weil weniger Wasser durch den Schaum fließen kann, was zur Folge hat, dass der Filter gereinigt werden muss.

- 6.1 Trennen Sie die Pumpe vom Stromnetz.
- 6.2 Schließen Sie einen Schlauch mit geeigneter Länge mithilfe des mitgelieferten Schlauchanschlusses und einer Schlauchschelle am Schmutzwasserablauf an (Abb. 10 iii). Sie können das Ende des Ablaufschlauchs über einer Abflussrinne oder einem Blumenbeet platzieren. Das Abwasser eignet sich als hervorragendes Düngemittel.
- 6.3 Drehen Sie mehrere Male die Reinigungskurbel. Es ist ratsam, die Kurbel sowohl mehrere Umdrehungen im Uhrzeigersinn als auch gegen den Uhrzeigersinn zu drehen (Abb. 13). Sobald Sie die Reinigungskurbel drehen, werden sich auch die gelben Reinigungsfinger zerkleinern und auspressen, der dadurch das Material freisetzt, das er aufgenommen hat.
- 6.4 Drehen Sie das Umleitventil auf die Stellung in Richtung des Schmutzwasserablaufs (Abb. 14). Sie werden ein „Klickgeräusch“ hören.
- 6.5 Schalten Sie die Pumpe ein.
- 6.6 Drehen Sie weiterhin die Reinigungskurbel (vollständige Umdrehungen in beide Richtungen). Zu Beginn wird das Schmutzwasser je nach dem Aufbau Ihres Teichs eine intensive grüne oder braune Farbe aufweisen. Nach kurzer Zeit wird die Farbtintensität des Schmutzwassers abnehmen, und das Wasser wird klarer. Drehen Sie die Kurbel dann nicht mehr und bewegen Sie sie auf ihre Grundposition über dem Hauptgehäuse (Abb. 15).
Warten Sie noch einige Sekunden, bis die letzten Reste durchgespült sind, und drehen Sie das Umleitventil wieder auf die Stellung in Richtung des Filterauslasses (zum Teich).

ACHTUNG: Wenn Sie das Umleitventil auf der

Stellung in Richtung des Schmutzwasserablaufs lassen, wird Ihr Teich geleert. Achten Sie darauf, dass Sie es zurück auf die Stellung in Richtung des Filterauslasses drehen (zum Teich).

- 6.7 Die zur Reinigung Ihres Teichfilters benötigte Zeit hängt von vielen Faktoren ab. Wenn Sie den Filter jedoch immer regelmäßig reinigen, bleibt auch die Reinigungszeit entsprechend kurz. Gewöhnlich dauert der Reinigungsvorgang nur einige Minuten.

Von Zeit zu Zeit werden Sie Ihren Gartenteich auffüllen müssen, um das Schmutzwasser zu ersetzen, das während der Reinigung entfernt wurde. Teilweise Wasserwechsel stellen bei der Aufrechterhaltung eines gesunden Teichwassersystems einen wichtigen Aspekt dar.

Wartung

Achtung: Lesen Sie diese Wartungsanweisungen, bevor Sie das Gerät öffnen.

Achtung: Versuchen Sie nicht, den Deckel oder das Elektrikgehäuse zu entfernen, wenn der Filter und die Pumpe in Betrieb sind. An der Deckelklemme befindet sich eine Aussparung für ein Vorhängeschloss, das verwendet werden sollte, um auszuschließen, dass das Gerät versehentlich geöffnet wird (wo beispielsweise die Möglichkeit besteht, dass Kinder anwesend sind).

7.1 Austausch der UV-Lampe:

Achtung: Das Gerät muss von der Stromversorgung getrennt sein, bevor Sie den UV-C-Strahler losmachen.

Da die Effektivität einer UV-Lampe im Zeitablauf beträchtlich abnimmt, sollten Sie Ihre Lampe auch dann alle 12 Monate austauschen, wenn sie noch funktioniert.

- 7.1.1 Stellen Sie den Strom zur Versorgungspumpe und zum Teichfilter ab.
- 7.1.2 Drehen Sie das Umleitventil auf die Stellung in Richtung des Schmutzwasserablaufs. Dadurch gleicht sich der Innendruck dem atmosphärischen Druck an, sodass das Elektrikgehäuse auf einfache Weise entfernt werden kann, ohne dass Wasser nach oben auf die Oberfläche des Deckels gefördert wird.
- 7.1.3 Drehen Sie die Reinigungskurbel um eine halbe Umdrehung, sodass sie sich nicht mehr über dem Elektrikgehäuse befindet (Abb. 16 i).
- 7.1.4 Entfernen Sie mit einem Schraubendreher die 5 Schrauben, über die das Elektrikgehäuse am Deckel befestigt ist. (siehe Abb. 16 ii). Zwischen Filtereinlass und -auslass befindet sich ein Fach, in dem Sie die Schrauben aufbewahren können, während Sie die Lampe wechseln (Abb. 16 iii).
- 7.1.5 Greifen Sie das Elektrikgehäuse und ziehen Sie es sanft nach oben, um es zu entfernen. Drehen Sie das Gehäuse um und legen Sie es auf eine trockene und ebene Oberfläche.
- 7.1.6 Abb. 17: Schrauben Sie den Sicherungskragen der Quarzglasröhre los (i). Halten Sie vorsichtig die Quarzglasröhre (ii), ziehen Sie sie nach oben und entfernen Sie sie zusammen mit ihren O-Ringen (iii) und dem Sicherungskragen.
- 7.1.7 Entfernen Sie die alte Lampe, indem Sie sie sanft von ihrem Halter abziehen, lösen Sie die schwarze Schutzkappe vom Ende der Lampe (Abb. 17 iv) und

entfernen Sie das Reflektorblech (Abb. 17 v). Entsorgen Sie die alte Lampe gemäß den örtlichen Bestimmungen und setzen Sie die neue Lampe ein.

- 7.1.8 Bringen Sie das Reflektorblech wieder an und drücken Sie die schwarze Kappe auf das Ende der Lampe.
- 7.1.9 Schieben Sie die Quarzglasröhre nach unten und über die Lampe. Achten Sie darauf, dass die zwei O-Ringe am Fuß der Röhre sauber und frei von Ablagerungen sind.
- 7.1.10 Schieben Sie den Sicherungskragen herab und über die Quarzglasröhre und schrauben Sie ihn nach unten. Schrauben Sie den Sicherungskragen so weit nach unten, bis der Anschlag des Kragens den Anschlag des Gehäuses berührt, sodass der Kragen nicht weiter herab geschraubt werden kann.
- 7.1.11 Bringen Sie das Elektrikgehäuse wieder an. Da das Gehäuse nur in einer Position befestigt werden kann, sollten Sie nicht versuchen, es gewaltsam nach unten zu drücken. Setzen Sie die 5 Schrauben wieder ein, nachdem Sie das Gehäuse angebracht haben. Sie müssen die Schrauben vollständig einschrauben, um zu gewährleisten, dass der Verriegelungsschalter aktiviert wird.
- 7.1.12 Drehen Sie das Umleitventil zurück auf die Stellung in Richtung des Filterauslasses (zum Teich) und bewegen Sie die Reinigungskurbel auf ihre Grundposition über dem Hauptgehäuse.
- 7.1.13 Starten Sie die Pumpe, nachdem Sie nachgesehen haben, ob es irgendwo eine undichte Stelle gibt, und schalten Sie dann die UV-Lampe ein. Vergewissern Sie sich, dass von der Kontrolllinse ein bläuliches Leuchten ausgeht.
- 7.2 **Pflege der Quarzglasröhre:**
Insbesondere bei hartem Wasser kann die Quarzglasröhre, welche die UV-Lampe umhüllt, mit Kesselstein bedeckt werden. Wenn Sie es zulassen, dass dort Kesselstein entsteht, wird sich die Effizienz der Filtereinheit verringern. Schalten Sie die Pumpe und die Stromversorgung zur UV-Lampe zur Reinigung aus, entfernen Sie das Elektrikgehäuse (siehe Abschnitt 7.1) und wischen Sie die Quarzglasröhre mit einem weichen Tuch ab, das Sie vorher mit einem sanften Reinigungsmittel wie Essig befeuchten (siehe Abb. 18). Beim Säubern der Röhre sollten Sie eine Schutzausrüstung tragen, die zumindest aus Schutzhandschuhen und einer Schutzbrille besteht.
- 7.3 **Austausch des CypriCube-Schaums:**
Überprüfen Sie jährlich Ihren Schaum. Die Häufigkeit des Schaumwechsels ist abhängig vom Aufbau Ihres Gartenteichs. Wir empfehlen Ihnen, den Schaum für den Winter und dann wieder zu Beginn des Frühjahrs zu wechseln, wenn Sie damit beginnen, Ihre Fische zu füttern*. Ein Schaumwechsel zu anderen Jahreszeiten kann zu einer Veränderung der chemischen Zusammensetzung Ihres Teichs führen, was wiederum Ihre Fische schädigen kann.
- * Wenn das Teichwasser im Herbst abkühlt, verlangsamen sich die Bewegungen der Fische, weil sie sich auf einen bestimmten Zeitraum des Halbruhezustands vorbereiten. Ihre Verdauung und ihr Immunsystem arbeiten dann langsamer, und sie sind nicht mehr in der Lage, die gleiche Art von Futter wie jene zu verdauen, die sie während der wärmeren

Monate bekommen haben. Wenn die Fische hungrig sind, werden sie sich von einfacheren Nährstoffen ernähren, die natürlicherweise in der Teichumgebung vorhanden sind. Daher sollten Sie die Fütterung Ihrer Fische beenden, sobald die Temperatur des Teichwassers für längere Zeit weniger als 10°C beträgt. Wenn Ihre Fische infolge des wärmer werdenden Wetters zum Frühlingsanfang aktiver werden, können Sie wieder damit beginnen, schrittweise Ihre Fische zu füttern.

7.3.1 Stellen Sie den Strom zur Versorgungspumpe und zum Teichfilter ab.

7.3.2 Drehen Sie das Umleitventil auf die Stellung in Richtung des Schmutzwasserablaufs. Dadurch gleicht sich der Innendruck dem atmosphärischen Druck an, sodass der Deckel auf einfache Weise entfernt werden kann.

7.3.3 Entriegeln Sie die Deckelklemme (Abb. 2 n). Lösen Sie sachte den Deckel mithilfe der 2 sich gegenüberliegenden Hebel und entfernen Sie den Deckel (Abb. 19). Es ist möglicherweise hilfreich, auch die angeschlossenen Schläuche zu entfernen.

7.3.4 Heben Sie das Schaumgefäß an (Abb. 2 i) und entfernen Sie es, und entsorgen Sie den alten Schaum. Entnehmen Sie das Wasser aus dem Inneren des Filterbehälters, der die Biomedien in einem Netz enthält. Um die Biomedien brauchen Sie sich nicht zu kümmern.

7.3.5 Spülen Sie den Behälterboden mit etwas Teichwasser sauber, wenn dieser mit Schlamm bedeckt ist.

7.3.6 Wenn Sie die Biomedien wieder hineintun, müssen Sie darauf achten, dass Sie sie um die Biotrompete (Abb. 2 o) am Behälterboden herum einfüllen. Es dürfen keine Biomedien ins Innere der Biotrompete gelangen (Abb. 20).

7.3.7 Setzen Sie das Schaumgefäß in den Filterbehälter. Drehen Sie das Schaumgefäß, bis die kleinen Dreiecke oben am Gefäß auf eine der vertikalen Markierungen auf der Innenseite des Filterbehälters ausgerichtet sind (Abb. 21). Das Schaumgefäß wird in seine Einsetzposition fallen. **Achten Sie darauf, dass Sie das Schaumgefäß korrekt positionieren, sodass der Deckel auf einfache Weise aufgesetzt werden kann.**

7.3.8 Füllen Sie das Schaumgefäß mit der empfohlenen Menge an neuem Cypricube-Schaum. Machen Sie sich keine Sorgen, wenn die trockenen Schaumwürfel etwas mehr Platz einnehmen, weil sie neu sind. Achten Sie darauf, dass keine Würfel durch das mittige Loch in die Biotrompete fallen.

Drücken Sie Ihren Schaum niemals nach unten, um mehr Schaum einfüllen zu können. Füllen Sie die trockenen Schaumwürfel locker ein und achten Sie darauf, dass Sie den Filterbehälter nur bis zu seinem oberen Rand befüllen (Abb. 22). Wenn Sie zu viel Schaum hinzugeben, erschweren Sie die Reinigung des Teichfilters.

7.3.9 Sorgen Sie dafür, dass der O-Ring (Abb. 2 l) oben am Filterbehälter richtig anliegt. Zudem muss er frei von Schmutz und Ablagerungen sein. Versehen Sie ggf. den O-Ring mit etwas Silikonfett, um den Zusammenbau zu erleichtern. Bringen Sie den Deckel wieder an. Schieben Sie die mittige schwarze Röhre, welche die UV-Lampe abdeckt, nach unten durch das mittige Loch.

7.3.10 Bringen Sie die Deckelklemme wieder an. Vergewissern Sie sich, dass sich unterhalb der Bandklemme kein Wasser angesammelt hat, und halten Sie den Gelenkhebel mit Schmieröl geschmiert.

7.3.11 Drehen Sie das Umleitventil zurück auf die Stellung in Richtung des Filterauslasses (zum Teich) und bewegen Sie die Reinigungskurbel auf ihre Grundposition über dem Hauptgehäuse.

7.3.12 Sehen Sie nach, ob es irgendwo eine undichte Stelle gibt, und starten Sie dann die Pumpe. Schalten Sie danach die UV-Lampe ein. Vergewissern Sie sich, dass von der Kontrolllinse ein bläuliches Leuchten ausgeht.

Aufbewahrung im Winter

8.1 Bei kaltem Winterwetter (wenn die Fische inaktiv sind und das Algenwachstum nachlässt) muss die Filtereinheit ausgeschaltet sein. Sie sollte dann entfernt, gründlich gewaschen, gereinigt, getrocknet und an einem trockenen sowie frostgeschützten Platz aufbewahrt werden. Nehmen Sie immer den Deckel ab, bevor Sie Ihr Gerät lagern, um eine gute Durchlüftung und Trocknung zu gewährleisten.

Fehlersuche/FAQ

Problem	Mögliche Ursache	Abhilfe
Kein Wasserfluss durch den Filter in den Teich	Die Versorgungspumpe ist ausgeschaltet oder funktioniert nicht.	Überprüfen Sie, ob die Pumpe funktioniert, und schalten Sie sie ein.
	Der Versorgungsschlauch ist verstopft.	Überprüfen Sie, ob der Versorgungsschlauch und der zum Teich zurückführende Schlauch verstopft sind.
	Das Umleitventil liegt auf der Stellung in Richtung des Schmutzwasserablaufs.	Drehen Sie das Umleitventil auf die Stellung in Richtung des Filterauslasses (zum Teich).
Verminderter Wasserfluss durch den Filter	Der Schaum blockiert den Wasserfluss.	Reinigen Sie den Filter (siehe Abschnitt „Reinigung“).
	Der Versorgungsschlauch ist verstopft.	Überprüfen Sie, ob der Versorgungsschlauch und der zum Teich zurückführende Schlauch verstopft sind.

Problem	Mögliche Ursache	Abhilfe
Kein klarer werdendes Teichwasser	Die Reifung des neuen Filters ist noch nicht abgeschlossen.	Die Klarheit Ihres Teichwassers sollte sich innerhalb von 2 bis 3 Wochen verbessern, jedoch kann die gesamte biologische Reifung 6 bis 8 Wochen in Anspruch nehmen, sodass er dann erst vollständig effektiv sein wird.
	Der Filter ist nicht für Ihren Teich ausgelegt.	Achten Sie darauf, dass der Filter für den Aufbau Ihres Gartenteichs ausgelegt ist.
	Ungeeignete Versorgungspumpe	Überprüfen Sie Ihre Durchflussrate. Siehe Abschnitt 2.2.
	Defekte UV-Lampe	Sehen Sie nach, ob von der Kontrolllinse ein bläuliches Leuchten ausgeht. Tauschen Sie ggf. die Lampe aus.
	Alte UV-Lampe	Wechseln Sie alle 12 Monate die UV-Lampe.
	Zu verschmutzter Schaum	Reinigen Sie den Filter (siehe Abschnitt „Reinigung“).
	Der Auslass des zum Teich zurückführenden Schlauchs befindet sich über der Versorgungspumpe.	Sorgen Sie dafür, dass sich die Pumpe und der Auslass des zum Teich zurückführenden Schlauchs weitmöglichst voneinander entfernt befinden.
	Zu hoher Fischbestand im Teich	Verringern Sie die Menge an Fischen in Ihrem Teich.
Nicht drehbare Reinigungskurbel.	Überfütterung	Geben Sie Ihren Fischen nur soviel Futter, wie sie in wenigen Minuten verzehren können. Füttern Sie sie nur einmal täglich.
	Sie wollen mit der Reinigung beginnen, aber die Pumpe läuft noch.	Schalten Sie die Pumpe aus. Drehen Sie Kurbel mehrmals in beide Richtungen. Schalten Sie Ihre Pumpe wieder ein (siehe Abschnitt „Reinigung“).

Hozelock Cyprios „Klarwasser-Garantie“

WIR GARANTIEREN IHNEN KLARES TEICHWASSER, ODER SIE ERHALTEN IHR GELD ZURÜCK, das Sie für Ihren Teichfilter der Reihe „Bioforce Revolution“ von Hozelock Cyprio ausgegeben haben, sofern Sie ihn mit der richtigen Pumpe verwenden. Diese Garantie läuft unter folgenden Voraussetzungen 12 Monate nach Ihrem Kauf:

- Sie haben die Installations- und Betriebsanweisungen befolgt.
- Sie verwenden eine Ausrüstung, die korrekt gemäß Hozelock Cyprios Auslegungsangaben ausgelegt ist.
- Bei jedem zu behandelnden Problem wenden Sie sich früh genug an unsere Informations- und Beratungsstelle (0121 313 1122).
- Sie haben das Gerät unbeschädigt zurückgegeben.

Die Bewilligung einer Rückerstattung ist ausschließlich Hozelock Cyprio vorbehalten. Eine mögliche Rückerstattung erhalten Sie nur am Kaufort, und sie wird nur den Wert des Kaufpreises des Teichfilters umfassen. Bitte beachten Sie, dass unsere Klarwasser-Garantie keinen Verlust an Wasserklarheit abdeckt, wenn Fadenalgen und nicht Grünalgen die Ursache darstellen.

Hozelock Cyprios 2-Jahres-Garantie

Wenn dieser Bioforce-Revolution-Filter (ausschließlich der UV-Lampe) innerhalb von 2 Jahren nach dem Kaufdatum nicht mehr gewartet werden kann, werden wir ihn unter der Bedingung kostenlos reparieren oder austauschen, dass er unserer Meinung nach nicht beschädigt wurde. Für Schäden auf Grund eines Stör-/Unfalls oder einer unsachgemäßen Installation/Verwendung kann Hozelock Cyprio nicht haftbar gemacht werden. Die Haftung beschränkt sich auf den Ersatz der fehlerhaften Filtereinheit. Diese Garantie ist nicht übertragbar. Sie hat keine Auswirkungen auf Ihre gesetzlichen Rechte. Zur Inanspruchnahme der Garantie müssen Sie sich zunächst mit dem Kundendienst von Hozelock Cyprio in Verbindung setzen (0121 313 1122), woraufhin die Möglichkeit besteht, dass Sie darum gebeten werden, das Gerät zusammen mit dem Kaufbeleg direkt an folgende Adresse zu schicken.

Kontakt/Ersatzteile

www.hozelock.com.

Technical Information

Teilenummer	1352	1353	1354
Produktfamilie	Bioforce Revolution		
Volt (V)	230V, 50Hz		
Leistung der UV-C-Lampe (W)	18	24	36
Maximale Teichgröße mit Fischen	6000 liter	9000 liter	14000 liter
Maximale Teichgröße ohne Fische	12000 liter	18000 liter	28000 liter

Teilenummer	1352	1353	1354
Max. Durchflussrate von Hozelock Cyprios Aquaforce-Pumpen (L/h)	4000	6000	8000
Max. Durchfluss, QMAX (L/h)	3000	4500	7000
Schutzart	IP57	IP57	IP57
Max. Wassertemperatur Tmax (°C)	35°C	35°C	35°C
Bioforce-Revolution-Reinigungssystem	✓	✓	✓

* Gemessen unter kontrollierten Bedingungen

S

Tack för att du valt en Hozelock kvalitetsprodukt, du kan vara säker på tillförlitlig service från denna produkt.

- a** Elektriskt hölje
- b** Lockanordning
- c** UV-indikatorlampan
- d** Rengöringsvev handtag
- e** Rengöringsvev
- f** Fördelningsventil
- g** Rengöringsblad (Gul)
- h** UV-skydd
- i** Hink skumplast
- j** Cypricube skumplast
- k** Bio-material
- l** O-ringtätning för behållare
- m** Filterbehållare.
- n** Lockklämma
- o** Bio-trumpet.
- p** Slanganslutning & mutter.
- q** Spak



Entsorgen Sie alte Elektrogeräte nicht als unsortierten Hausmüll, sondern nutzen Sie dafür gesonderte Sammelstellen. Wenden Sie sich an Ihre örtliche Behörde für Informationen über die verfügbaren Sammelanlagen/-systeme. Wenn alte Elektrogeräte auf eine Müllkippe oder in eine Grube geworfen werden, können gefährliche Substanzen austreten, die dann ins Grundwasser und in die Nahrungskette gelangen, was unsere Gesundheit und unser Wohlbefinden beeinträchtigen würde. Wenn Sie in der EU ein altes Elektrogerät gegen ein neues austauschen, ist der Einzelhändler gesetzlich dazu verpflichtet, Ihr Altgerät (zumindest) kostenlos zur Entsorgung zurückzunehmen.

INSTRUKTIONER FÖR INSTALLATION OCH DRIFT



LÄS DESSA INSTRUKTIONER NOGRANT INNAN DU FÖRSÖKER ATT INSTALLERA.

ATT INTE IAKTTA FÖLJANDE INFORMATION KAN LEDA TILL PERSONSKADOR, SKADOR PÅ PRODUKTEN ELLER FÖRLUST AV FISK.

BEHÅLL DESSA INSTRUKTIONER FÖR FRAMTIDA REFERENS.

Denna Hozelock Cyprio Bioforce Revolution är ett nytt koncept av vattenfilter för trädgårdsdammar med enkelt underhåll.

Den är:

- Kompakt och effektiv.
- Enkel att installera.
- Problemfri vid rengöring och underhåll.
- Kan placeras nästan var som helst.

Om den används med lämplig dampppump, förbättrar den vattnets klarhet, ta bort oönskade fasta partiklar från dammen samt omvandla upplöst organiskt och kemiskt fiskavlopp till ofarliga substanser.

Observera: UV-varning

Den här apparaten innehåller en UV-C sändare. Oavsiktlig användning av apparaten eller skador på höljet kan leda till läckage av farlig UV-C strålning. UV-C strålning kan, även i små doser, orsaka skador på ögon och hud. Lampan är försedd med en säkerhetspärre som stänger av lampan i händelse av att det elektriska höljet öppnas.

Vid påslagning. kan lampan funktion kontrolleras genom att se efter ett blåaktigt sken från UV-indikatorlampan. Kör inte

produkten utan vatten.

Varning: Försök inte använda UV-C sändaren när den är borttagen från enhetens hölje.

Viktigt

Apparaten är inte avsedd att användas av personer (inklusive barn) med nedsatt fysisk, psykisk eller mental förmåga, eller avsaknad av erfarenhet och kunskap, om personen eller personerna inte har någon som övervakar och instruerar angående apparatens användning av en person som ansvarar för deras säkerhet. Se till att barn inte leker med apparaten. Om apparaten är skadad får den inte användas.

Varning: Säkerhets- och elektriska anslutningar

- 1.1 **VARNING: TA ALLTID UT STICKKONTAKTEN ELLER KOPPLA BORT ALLA APPARATER I DAMMEN FRÅN ELNÄTET INNAN DU LÄGGER HÄNDERNA NER I VATTNET MEDAN UTRUSTNINGEN INSTALLERAS, REPARERAS ELLER HANTERAS.**
- 1.2 Detta filter har utformats för användning endast i trädgårdsdammar. Använd inte filtret för något annat ändamål (t. ex. använd inte filtret i simbassänger, etc.). Användning av produkten för något annat ändamål kan leda till personskador eller skador på produkten.
- 1.3 Apparater som är uppenbart skadade får inte användas.
- 1.4 Det transparenta röret inuti enheten är tillverkad av kvartsglas och försiktighet måste iakttas vid installation och underhåll. Vi rekommenderar användning av ögonskydd och skyddshandskar.
- 1.5 Ditt Bioforce Revolution filter är väderbeständigt men är inte drickbart. Placera enheten upprätt nära dammen men inte där den kan falla ned i vattnet eller där marken kan bli vattensjuk (se avsnittet "Installation").
- 1.6 **Viktigt:** Den här produkten levereras med 5m 3-ledarkabel. Medföljande kontaktdon med denna produkt är inte vattentät och det måste vara ansluten till elnätet inuti en torr väderskyddad inkapsling enligt lokala föreskrifter.
- 1.7 **VARNING:** Den här apparaten måste jordas och är det viktigt att anslutningarna görs med följande kod:
 - BRUN - fas
 - BLÅ - neutral (nolla)
 - GRÖN/GUL - jord.
- 1.8 Exponerade kabeldragningar bör vara klokt placerade och skyddade av armerad ledning, särskilt om det finns risk för kontakt med trädgårdsutrustning såsom knaror/grepar och gräsklippare eller barn och husdjur.
- 1.9 En 30 mA max jordfelsbrytare MÅSTE monteras på elnätet.
- 1.10 Permanenta installationer till elnätet (fast kablage), måste överensstämma med nationella och lokala installationsföreskrifter. Om du är tveksam om kablage till elnätet, kontakta en behörig elektriker eller den lokala energimyndigheten.

- 1.11 Använd aldrig nätsladden eller rengöringsveven för att lyfta eller flytta filtret, eftersom detta kan orsaka skada. Om filtret behöver flyttas, måste produkten först stängas av och tömmas på vatten. Lyft sedan produkten genom att ta tag i området där locket spärras fast på huvudbehållaren.
- 1.12 Sitt eller luta dig Aldrig mot/på rengöringsveven! (fig 4).
- 1.13 Lyft aldrig filtret med hjälp av rengöringsveven. Lyft alltid genom att med bågge händerna försiktigt ta tag i kanten på locket (fig 5).
- 1.14 Använd inte ditt filter utan vatten.
- 1.15 Blockera inte filterutloppen när filtret är i drift.
- 1.16 Använd inte denna produkt om nätsladden har skadats på något sätt. Elkabeln kan inte bytas ut. Om kabeln är skadad, ska det elektriska höljet kasseras enligt lokala föreskrifter.
- 1.17 Skydda mot frost om enheten inte ska vara i drift året runt. (Se avsnittet, "Vinterförvaring").
- 1.18 Skydda filtret mot direkt solljus.
- 1.19 Den här produkten är inte lämplig för vattentemperaturer över 35°C eller under 0°C.
- 1.20 Använd endast tillbehör som har utformats för användning med den här produkten. Användning av alla andra tillbehör eller reservdelar kan ogiltigförklara garantin.

Allmänna riktlinjer

- 2.1 På baksidan av det tekniska informationsdiagrammet finns allmän vägledning och specifikationerna på filtret & rekommenderad pump. Men för bästa resultat bör också flera andra faktorer beaktas, eftersom dessa reducerar filtrets funktioner.
 - **Damm djup:** Hozelock Cyprio rekommenderar ett minsta djup på 1,2m (4') för Koi dammar. För en damm med ett medeldjup på mindre än 0,75 m (2' 6") är konditionsfaktorn + 25%. Grundna dammar utsätts för full genomträngning av solljus och värms upp snabbare. Detta gynnar alg tillväxt.
 - **Placering:** Dammens placering avgörs av den dagliga mängd solljus eller skugga den tar emot. Dammar som utsätts för fullt solsken hela dagarna har ett konditionsfaktor på +25%.
 - **Klimat:** Klimatet påverkar vattentemperaturer och fiskarnas aktivitetsgrad/utfodringskrav. Desto mer aktiva fiskar, desto större krav på filtrering. I varmt klimat (t.ex. Sydafrika), är konditionsfaktorn +35% i tempererat klimat (t. ex. Sydeuropa), är konditionsfaktorn +15% i ett nordeuropeiskt klimat (de flesta områdena av Storbritannien), är konditionsfaktorn +0%.
 - **EXEMPEL:** Du har en 2200 liter stor guldfiskdamm (konditionsfaktorn är +25%). Du bor i London - ett nordeuropeiskt klimat (konditionsfaktor +0%). Dammens utsatt för starkt solljus (+25%). Den effektiva volymen av din damm ökas därför med 50% (25% + 25%), och du behöver dimensionera din utrustning som om din damm höll 3300 liter.

- 2.2 Flödes hastighet:** För bästa resultat bör dammens vattenvolym passera genom Bioforce Revolution var 1½ - 2½ timme, den snabbaste flödes hastigheten som rekommenderas för Koi dammar. Överskrid inte den maximala flödes hastigheten, såsom den anges på baksidan av det tekniska informationsdiagrammet. Rätt flöde är viktigt om du ska få rent vatten. Om din installation inte leder stora förluster (dvs. långa slangar) kan det vara nödvändigt att justera flödet för att uppnå 1½ - 2½ timmars cirkulationshastighet, med en flödesregleringskran.
- Liten slangdiameter, onödigt lång slang samt hög pump position (huvud") kan allt avsevärt minska pumpens utflöde. Vi rekommenderar att du väljer en pump som levererar det utflöde som krävs mot fullt statistiskt höjd (= vertikala avståndet mellan dammens yta och filtrets inlopp), plus 0,6 m (2 ft) för att tillåta friktionsförluster i slangarna.
- Målet för filtrering är att överföra avloppsmaterial från dammen in i filtret, så att alla typer av pump som används blir en del av paketet som skall kunna hantera fasta ämnen, såsom Hozelock Cyprios utbud av Aquaforce-pumpar, som har utformats speciellt för dammar av storlekar som omfattas av Bioforce Revolution. Pumpen bör placeras i den djupaste delen av dammen för att säkerställa bästa möjliga cirkulation av vattnet samt maximera hanteringen av fasta ämnen. Pumpen bör installeras på en plan plattform som är placerad 300mm från botten av dammen. Detta förhindrar att pumpen suger smuts direkt från botten av dammen, och ser till att tillräckligt med vatten finns kvar i dammen i händelse av oavsedd läcka.
- Hur du kontrollerar vattenflödet:** Ta en behållare med en känd volym och ta tiden på hur lång tid det tar att fylla den (i sekunder). Dela sedan 3600 genom det antal sekunder det tog att fylla behållaren och multiplicera resultatet med volymen (liter) i behållaren. Slutresultatet blir flödet i liter per timme (lpt).
- 2.3 Fiskmängd:** Under normala förhållanden och utfodringssystem, klarar Bioforce Revolution upp till 50 cm per 1000 liter av dammkapaciteten. Introducera fisken långsamt under de första veckorna, upp till 20% av maximal rekommenderad nivå, öka sedan detta om du vill till 50 % efter sex månader. Balansen möjliggör för fiskens tillväxt.
- 2.4 Dammbehandling:** Vissa mediciner/ behandlingar kan försämrats mycket snabbt av UVC strålning. Stäng av filtret under sjukdomsbehandling. Den mekanisk och biologisk filtreringen kommer att fortsätta att arbeta. Om du behandlar din damm för trådalger, stäng av pump och filter under behandling tills trådalgerna har avlägsnats från dammen.
- 2.5** Extra försiktighet måste observeras vid alla slanganslutningar då läckage därifrån resulterar i minskad vattenmängd i dammen.
- 3.3** Bioforce Revolution filter är pumpmatade, trycksatta externa filter och UVC-enheter, som är anpassad till antingen ovanför marken (fig 7) eller nedgrävda i marken (fig 8) intill din damm eller dolda i toppen av ett vattenfall.
- Om du väljer att installera ditt filter ovan mark, placera filtret på plant underlag.
- Om du väljer att delvis gräva ner ditt filter, bör utgrävningen vara ordentligt fylld med packad sand som stöd för enheten. Om du väljer den här typen av installation, ska du lämna minst 50mm avstånd mellan klämma och marken, se också till att den är lätt löstagbar för årligt underhåll.
- 3.4** För smala slangar resulterar i alltför stora begränsning av vattenflödet. Ju större slangdiameter som du använder desto bättre prestanda på filtret, framför allt vid långa slang dragningar. Medföljande slanganslutning med den här enheten rymmer 25mm (1") 32mm (1¼") och 40 mm (1½") Cypriflex slang. Vid Bioforce Revolution filter rekommenderar vi alltid, att 40mm Ø slang bör användas för att undvika vattenflödesbegränsning.
- När du har valt den slangdiameter du vill använda, kapa av slanganslutningen som är mindre än slangens diameter för att eliminera begränsningar.(fig 9).
- Pumpen som förser filtret med vatten och utloppet från dammens returslang bör vara så långt ifrån varandra som möjligt för optimal vattencirkulation, tänk på detta när du köper, mäter och kapar av Cypriflex slangen.
- Fäst lämplig slanglängd mellan pump och filterinlopp (fig 10 (i)) säkra slangen till slanganslutningen med Hozelock Cyprio slangklämma som säljs separat. Anslut sedan en lämplig längd av slangen till filterutloppet (fig 10 (ii)) så samma sätt. För mer information om avloppsutlopp (fig 10 (iii)), se avsnittet "Rengöring".
- Placera pumpen i dammen på en lämplig plats och placera utloppsslangen så att filtrerat vatten återgår till dammen.
- Undvik veck och skarpa böjar vid placering av slangarna. Håll slangdragningen så kort som möjligt för att minimera begränsningar i flödet.
- 3.5** Kontrollera att vevhandtaget sitter över det elektriska höljet. Ta vevhandtaget & medföljande skydd och anslut den till rengöringsveven genom att placera det på veven och klicka fast (fig 11).
- Filtret är nu klar för användning.

Funktion

Installation

- 3.1 Viktigt:** Använd inte en pump med ett flöde som är större än 8000lpt eller ett huvud större än 5m med Bioforce Revolution utbud av filter.
- 3.2 Viktigt:** Bioforce Revolution filter får endast installeras i upprätt vertikalt läge (fig 6).
- 4.1** Kontrollera att fördelningsventilen är vriden mot dammutloppet (fig 12).
- 4.2** Anslut filtrets nätsladd (se avsnitt 1 - Säkerhets- och elektriska anslutningar). Detta slår på UVC-lampan. Du kan kontrollera att lampan fungerar genom att titta på det blå lyset i UV-indikatorlampan i övre höljet (figur 1(c)).
- 4.3** Slå på pumpen.
- 4.4** **Perioder av drift:** Håll filtret i drift 24 timmar per dag. Idealiskt bör filtret köras året runt men åtminstone under utfodringssäsongen (dvs tills vattentemperaturen sjunker under 10 °C). Körs pumpen och filtret på vintern, upprätthåller detta en

grundläggande nivå av nyttiga bakterier i Bioforce och hjälper till att förhindra att dammen fryser igen. Om du stänger av pumpen på vintern, tvätta då filtret noggrant innan du återupptar filtrering till våren (se "Vinterförvaring", 11.0). Mata aldrig dina fiskar när filtret inte är i användning.

Biologisk mognad

- 5.1 Biologisk mognad innebär att filtret har byggt upp tillräckligt nitrifierande bakterier för att omvandla skadligt fiskavlopp och annat organiskt avlopp (dvs. ammoniak, nitrit) till relativt ofarlig nitrat. Processen tar normalt 6-8 veckor, men beror på många faktorer som vattentemperatur, inmatningshastigheten och fiskmängd. Skynda på mognadsprocessen genom att lägga till mognadsagenter såsom Hozelock Cyprio Filter Start.

Rengöring

När du rengör din Bioforce Revolution.

Bioforce Revolution filter ger maximal prestanda med minimalt underhåll. Om dammen är mycket smutsig, kan filtret behöva rengöras varje/varannan dag i början, eftersom den mycket snabbt tar upp avlopp. När dammen blir renare, blir det mindre avlopp att ta bort, så filtret behöver inte rengöras lika ofta. Trycksatt filter är som mest effektiva när skumplasten blir delvis blockerad. Emellertid, allt eftersom blockeringen ökar, sjunker flödes hastigheten så att mindre vatten kan strömma genom skumplasten och rengöring blir nödvändigt.

- 6.1 Slå av strömmen på elnätet.
- 6.2 Anslut lämplig längd slag till avloppssutloppet (Fig 10 (iii)) med hjälp av slanganslutning och en slangklämma. Slutet av avloppsslang kan placeras över ett avlopp eller över en blomrabbat. avloppsvattnet är ett utmärkt gödningsmedel.
- 6.3 Veva vevhandtaget flera gånger. Vi rekommenderar flera varv i både medurs och moturs riktning (figur 13). När vevhandtaget vrids, roterar de gula rengöringsbladen (fig 2 (g)) och bryter isär och kramar varje skumplastkub att släppa skräp som har samlats i dem.
- 6.4 Vrid fördelarventilen till avloppsläge (fig 14). Du kommer att höra ett "klick".
- 6.5 Slå på pumpen.
- 6.6 Fortsätt att veva vevhandtaget (fullständiga varv i bägge riktningarna). Inledningsvis blir avloppsvatten intensivt grönt eller brunfärgat beroende på dammens innehåll.
- Efter en kort tid ändras färgens intensitet i avloppsvattnet och vattnet börjar klarna. Vid denna tidpunkt, sluta veva och sätt tillbaka vevet till förvaringsposition ovanför huvudhöljet (fig 15).

Vänta 5 sekunder för den sista mängden avlopp att spolras igenom och vrid fördelarventilen tillbaka till dammen.

VARNING: Lämna fördelarventilen i avloppsläge tömmer du dammen. Se till att den sätts tillbaka till dammutloppet.

- 6.7 Den tid som krävs för att rengöra filtret beror på flera faktorer, men ju mer regelbundet du rengör ditt filter, desto kortare rengöringstid krävs. Vanligtvis tar rengöringen några minuter.

IBland måste du fylla på din damm för att ersätta avloppsvattnet som avlägsnats vid rengöring. Delvis vattenutbyte är en viktig aspekt för att bevara sunt vatten i dammen.

Underhåll

Varning: Läs dessa instruktioner för underhåll innan du öppnar apparaten.

Varning: Försök inte ta bort locket eller elektriska höljet när pumpen och filtret är i drift. En plats för ett hänggläs finns i lockets klämma för att förhindra oavsiktlig öppning, och vi rekommenderar detta används där barn finns.

- 7.1 Byta ut UV-lampnan:

Varning: Apparaten måste vara bortkopplad från strömförsörjningen innan du kopplar bort UV-C sändaren.

UV-lampans effektivitet minskar drastiskt med tiden, så du bör byta ut din lampa var 12:e månad även om lampa fortfarande fungerar.

- 7.1.1 Slå av strömmen till pump och filter.
- 7.1.2 Vrid fördelarventilen till avlopp. Detta gör det inre trycket är likställa med atmosfäriskt tryck och underlättar borttagning av det elektriska höljet utan att vatten sugas upp på oavsidan av locket.
- 7.1.3 Veva rengöringsveven ett halvt varv så att den är ur vägen för det elektriska höljet (Fig16 (i)).
- 7.1.4 Använd en skruvmejsel för att ta bort de 5 skruvarna som håller fast det elektriska höljet på locket. (fig 16 (ii)). Det finns en ficka mellan filtrets inlopp och utlopp för förvara skruvarna medan du byter lampnan (fig 16 (iii)).
- 7.1.5 Ta tag i det elektriska höljet och dra försiktigt uppåt för att ta bort det. Vänd höljet upp och ned och placera det på en torr plan yta.
- 7.1.6 Fig 17. Skruva loss låskragen på kvartsröret (i). Håll försiktigt i kvartsröret (ii), lyft upp och ta bort tillsammans med dess o-ringar (iii) och låskragen.
- 7.1.7 Ta ut den gamla lampnan genom att försiktigt dra ut den ur hållaren och ta bort den svarta skyddskåpan från änden av lampnan (fig 17 (iv) samt ta bort reflektorplattan (fig 17 (v))). Kassera den gamla lampnan enligt lokala föreskrifter och montera den nya lampnan.
- 7.1.8 Sätt dit reflektorplattan och tryck den svarta kåpan på änden av lampnan.
- 7.1.9 Skjut försiktigt ner kvartsröret över lampnan. Se till att de två o-ringarna vid basen av kvartsröret är rena och fria från skräp.
- 7.1.10 Skjut ner låskragen över kvartsröret och skruva fast. Du bör skruva ner tills stoppet på låskragen träffar stoppet på huset, så att kragen inte kan skruvas ner längre.
- 7.1.11 Sätt tillbaka det elektriska höljet. Höljet kan endast monteras i ett läge så försök inte att tvinga ner det. När det väl är på plats, sätt tillbaka de 5 skruvarna. Skruvarna måste vara helt nerskruvade för att säkra att säkerhetsspärrn aktiveras.

7.1.12 Vrid fördelarventilen tillbaka till dammen och positionera rengöringsveven i förvaringsposition.

7.1.13 Starta pumpen och kontrollera först om det förekommer läckage, slå sedan på UV-lampan. Kontrollera att det blåaktiga skenet från UV-indikatorlampan lyser.

7.2 Skötsel av UV-kvartsröret.

Särskilt i områden med hårt vatten kan kvartsröret som skyddar UVC lampan bli täckt av kalk. Om detta tillåts bygga på kommer det att minska effektiviteten av enheten. För rengöring, slå av pumpen och strömförsörjningen till UV-enheten, ta bort det elektriska höljet, som beskrivs i 7.1, och torka av kvartsröret med en mjuk trasa som fuktats med ett mildt rengöringsmedel t. ex. ättika (se fig 18). Du bör ha skyddskläder vid rengöring av kvartsröret, som skyddsglasögon och handskar.

7.3 Ersättning av Cypricube skumplast:

Inspektera skumplasten årligen. Frekvensen på ersättning av skumplasten beror på din damms sammansättning. Vi rekommenderar att skumplasten ersätts under vintern och innan du börjar mata fisken igen i början av våren*. Byte av skumplast vid andra tider på året kan resultera i att dammens kemi förändras och detta kan skada din fisk.

*Då dammens vatten kyls ner i höst, saktar fisken också ner inför en period av delvis dväla. Deras matsmältningsorgan och immunförsvar saktar ner och de har inte samma förmåga att digera samma typer av föda som de kan under de varmare månaderna. Om de blir hungriga äter de av den enklare födan som förekommer naturligt i dammens miljö. Du ska därför, när dammens vattentemperatur sjunker under 10°C under en längre tid, inte mata din fisk. I början på våren, när vädret börjar bli varmt igen och fisken börjar bli mer aktiv, kan du gradvis börja mata dina fiskar igen.

7.3.1 Slå av strömmen till pump och filter.

7.3.2 Vrid fördelarventilen till avlopp. Detta gör att det inre trycket blir likställt med atmosfäriskt tryck och det är enklare att ta bort locket.

7.3.3 Lås upp lockklämman (fig 2(n)). Lossa försiktigt och ta bort locket med de 2 spakarna i motsatta öppningar (fig 19) Det kan hjälpa om du tar bort anslutna slangar.

7.3.4 Lyft och ta bort hinken för skumplasten (figur 2 (i)) och slänger den gamla skumplasten. Töm vattnet från inuti filterbehållaren som samlar in bio-materialet i ett nät. Bio-materialet inte kräver något underhåll.

7.3.5 Om behållarens botten är täckt med ett lager slam, skölj ur behållarens botten med lite dammvatten.

7.3.6 Byt ut bio-materialet och kontrollera att det sitter runt bio-trumpeten (figur 2 (o)) i botten av behållaren. Det får inte finnas någon bio-material inuti bio-trumpeten (fig 20).

7.3.7 Placera hinken med skumplast inuti behållaren. Vrid skumplasthinken tills de små trianglarna överst på hinken är i linje med någon av de vertikala linjerna som finns på insidan av filterbehållaren (Fig 21). Skumplasthinken kommer att falla ner på plats.

Kontrollera att det finns skumplasthinken är korrekt ditsatta för enkel montering av locket.

7.3.8 Fyll skumplasthinken med rekommenderade mängd Cypricube skumplast. Oroa dig inte om den nya torra skumplasten ta lite mer plats när de är nya. Kontrollera att skumplast inte faller ned centrumhålet till bio-trumpeten.

Pressa aldrig ner skumplasten för att få plats med mer. Torr skumplast måste vara lös och får inte fyllas högre upp än filterbehållaren (fig 22). Om du fyller alltför mycket skumplast kommer det att vara svårare att rengöra filtret.

7.3.9 Se till att tätningen (figur 2 (l)) i den övre delen av filterbehållaren är i position och fria från smuts och skräp. Lägg ett tunt lager skyddande silikonfett på packningen vid behov för att hjälpa monteringen. Sätt tillbaka locket. Dra ut det svarta röret i mitten som täcker UV-lampan ned genom centrums-hålet.

7.3.10 Sätt tillbaka lockklämmorna. Se till att det inte finns någon ansamling av vatten under bandklämman och hålla den gångjärnsförsedda spaken smörjd med ett oljebaserat smörjmedel.

7.3.11 Vrid fördelarventilen tillbaka till dammen och positionera rengöringsveven i förvaringsposition.

7.3.12 Starta om pumpen och kontrollera först om det finns läckor. Slå sedan på UV-lampan. Kontrollera att det blåaktiga skenet från UV-indikatorlampan lyser.

Vinterförvaring

8.1 I kallt vinterväder (när fisken är inaktiv och algtillväxten är reducerad) kan enheten var avstängd. Den bör då tas bort, noggrant tvättas, rengöras och torkas samt lagras på en torr frost skyddad plats. Förvara alltid enheten med locket av för att garantera tillräcklig ventilation och torkning.

Felsökning / vanliga frågor

Problem	Möjlig orsak	Åtgärd
Inget vattenflöde genom filtret till dammen.	Pumpen är inte påslagen eller fungerar inte.	Kontrollera att pumpen fungerar och att den är påslagen.
	Tilloppsledningen är tilltäppt.	Kontrollera tillloppsledningen samt dammens returslang för blockeringar.
	Fördelarventilen är ställd till "avlopp"	Vrid fördelarventilen till "Damm".
Reducera flödet genom filtret	Skumplasten är blockerad.	Rengör filtret (Se "Rengöring").
	Tilloppsledningen är tilltäppt.	Kontrollera tillloppsledningen samt dammens returslang för blockeringar.

Problem	Möjlig orsak	Åtgärd
Vattnet blir inte klart	Det nya filtret har inte biologiskt mognat ännu	Dammens vattenklarhet ska börja förbättras inom 2-3 veckor, men komplett biologisk mognad kan ta 6-8 veckor innan filtret är helt effektivt.
	Fel filterstorlek för din damm.	Kontrollera att du använder rätt filter för din damms sammansättning.
	Fel storlek på matarpumpen.	Kontrollera ditt vattenflöde. Se 2.2.
	Bränd UV-lampa.	Kontrollera UV-indikatorlampan. Byt ut UV-lampan.
	Gammal UV-lampa.	Byt UV-lampa var 12:e månad.
	Skumplasten behöver rengöras.	Rengör filtret (Se "Rengöring").
	Utloppet från dammens returslang är placerad ovanför matarpumpen.	Flytta pumpen eller utloppet från dammens returslang så att de är så långt ifrån varandra som möjligt.
	Dammen har för mycket fisk.	Minska mängden fisk i dammen.
Övergödning.	Mata endast dina fiskar med så mycket mat som de konsumerar på ett par minuter. Mata endast en gång per dag.	
Rengöringseven roterar inte.	Pumpen är igång i början av rengöringen.	Stäng av pumpen. Veva vevhandtaget bägge riktningarna flera gånger. Slå på pumpen (Se "Rengöring").

Hozelock Cyprio Clearwater garanti

VI GARANTERAR DIG KLART VATTEN ELLER PENGARNA TILLBAKA för en Hozelock Cyprio Bioforce Revolution när den används med en lämplig pump. Denna garanti löper i 12 månader efter köp, under förutsättning att

- Du har följt de instruktioner för installation och drift.
- Du använder utrustning i rätt storlek, enligt Hozelock Cyprio dimensioneringsinformation.
- Du kontakta vår kundtjänst (0121 313 1122) tillräckligt tidigt vid eventuella problem, för att rätta till dessa.
- Produkten måste returnerats oskadad.

Återbetalning kan endast beviljas av Hozelock Cyprio och görs endast på inköpsstället och på värdet av köpeskillingen för filtret. Lägg märke till att klarvattengarantin inte täcker förlust av vattnets klarhet på grund av sjögräs, i motsats till förlust orsakad av grönalger.

Hozelock Cyprio 2 års garanti

Om denna Bioforce Revolution (exklusive lampan) blir oanvändbar inom 2 år efter inköpsdatum, kommer den kostnadsfritt att repareras eller utbytt enligt vårt val, så till vida den enligt vår mening har skadats. Ansvar accepteras inte för skador till följd av olycka, felaktig installation eller användning. Ansvar är begränsat till utbyte av den felaktiga enheten. Denna garanti kan inte överlåtas. Det påverkar inte dina lagstadgade rättigheter. För att nyttja fördelarna med garantin, kontakta först Hozelock Cyprio konsumentkontakt (0121 313 1122) som kan begära att enheten skickas in tillsammans med kvitto direkt till adressen nedan.

Kontakt / reservdelar

www.hozelock.com

Technical Information

Part Number	1352	1353	1354
Sortiment	Bioforce Revolution		
Volt (V)	230V 50Hz		
UVC effekt (W)	18	24	36
Max dammstorlek med fisk	6000 liter (1320 gal)	9000 liter (1980 gal)	14000 liter (3080 gal)
Max dammstorlek utan fisk	12000 liter (2640 gal)	18000 liter (3960 gal)	28000 liter (6160 gal)
Max Hozelock Cyprio Aquaforce pumpstorlek (lpt)	4000	6000	8000
Max vattenflöden, QMAX, (LPT)	3000	4500	7000
IP-klassning	IP57	IP57	IP57
Max vattentemperatur Tmax,, (°C)	35°C	35°C	35°C
Bioforce Revolution rengöringssystem	✓	✓	✓

* Mätt under kontrollerade förhållanden



Kassera inte elektrisk utrustning som osorterat kommunalt avlopp, använd separata återvinningsstationer. Kontakta din kommun för information om återvinningsstationerna. Om elektriska hushållsapparater kasseras på soptippar eller dumpar, kan farliga ämnen läcka ut i grundvattnet och komma in i livsmedelskedjan samt skada din hälsa och ditt välbefinnande. I EU, vid byte av gamla maskiner mot nya, är återförsäljaren juridiskt skyldig att avgiftsfritt ta tillbaka din gamla apparat för omhändertagande.

F

Merci d'avoir choisi un produit de qualité Hozelock dont nous pouvons d'ores et déjà vous assurer la fiabilité du service.

- a** Boîtier électrique.
- b** Assemblage du couvercle.
- c** Lentille d'indication d'état de la lampe UV.
- d** Poignée de la manivelle de nettoyage.
- e** Manivelle de nettoyage.
- f** Vanne directionnelle.
- g** Pattes de nettoyage (jaune).
- h** Enveloppe de la lampe UV.
- i** Bac à mousse.
- j** Mousse Cypricube.
- k** Élément biologique.
- l** Joint annulaire du récipient.
- m** Récipient du filtre.
- n** Collier de serrage du couvercle.
- o** Cornet bio.
- p** Bec de tuyau & écrou.
- q** Levier.

INSTRUCTIONS D'INSTALLATION ET DE MISE EN ROUTE.



LIRE ATTENTIVEMENT CES INSTRUCTIONS AVANT INSTALLATION.

NE PAS SUIVRE CETTE NOTICE PEUT ENTRAÎNER DES BLESSURES, L'ENDOMMAGEMENT DE L'APPAREIL OU LA PERTE DE POISSONS.

CONSERVER CES INSTRUCTIONS POUR DE FUTURES CONSULTATIONS.

Ce Hozelock Cyprio Bioforce Revolution est un nouveau filtre à eau facile à entretenir pour bassin de jardin.

Il est :

- Compact et efficace
- Facile à installer.
- Facile à nettoyer et à entretenir.
- Installable presque n'importe où.

Utilisé avec la pompe appropriée, il améliore la clarté de l'eau, permet de retirer les débris indésirables de l'eau du bassin et de transformer les déchets organiques et chimiques des poissons en composés inoffensifs.

Attention : Précaution UV

L'appareil contient un émetteur UV-C. Une utilisation inadaptée de l'appareil ou un endommagement du boîtier pourrait provoquer la fuite de dangereuses radiations UV-C. La radiation UV-C peut, même en petites doses, causer des brûlures des yeux et de la peau. La lampe est munie d'un disjoncteur qui l'éteindra si le boîtier électrique est ouvert.

L'état de marche de la lampe peut être vérifié avec la lueur bleuâtre apparaissant dans la lentille de l'indicateur UV. Ne faites pas fonctionner l'appareil à sec.

Avertissement : N'essayez pas de faire fonctionner l'émetteur UV-C lorsqu'il est en dehors du boîtier de l'appareil.

Important

L'usage de l'appareil n'est pas prévu par des personnes (enfants inclus) avec des possibilités physiques, sensorielles ou mentales réduites, ou avec un manque d'expérience et de connaissance, à moins d'être sous surveillance et de respecter les instructions d'utilisation de l'appareil sous le contrôle d'une personne chargée de leur sûreté. Les enfants doivent être surveillés pour éviter qu'ils ne jouent avec l'appareil. Si cet appareil est endommagé, il ne doit pas être mis en marche.

Avertissement : Sécurité et branchements électriques

- 1.1 AVERTISSEMENT : IL EST IMPÉRATIF DE DÉBRANCHER OU DE DÉCONNECTER DE LA SOURCE D'ÉLECTRICITÉ TOUS LES ÉQUIPEMENTS QUI SE TROUVENT DANS LE BASSIN AVANT DE METTRE VOS MAINS DANS L'EAU PENDANT QUE VOUS INSTALLEZ, RÉPAREZ, ENTRETENEZ OU MANIPULEZ CES ÉQUIPEMENTS.**
- 1.2** Cet appareil a été conçu pour un usage en bassin de jardin uniquement. N'utilisez pas ce filtre pour tout autre usage (par exemple, ne l'utilisez pas dans une piscine, etc.). Tout autre utilisation de cet appareil pourrait conduire à des blessures ou à un endommagement de l'appareil.
- 1.3** Un appareil endommagé ne doit pas être mis en marche.
- 1.4** Le tube transparent à l'intérieur de l'unité est en verre de quartz et nécessite une attention particulière lors de l'installation et de l'entretien. Nous recommandons l'utilisation de protections pour les yeux et des gants appropriés.
- 1.5** Votre Bioforce Revolution est étanche mais pas submersible. Installez l'unité à la verticale près du bassin mais évitez les endroits où il pourrait tomber dans l'eau ou les endroits pouvant se gorger d'eau (Voir la partie, "Installation").
- 1.6 Important :** Ce produit est fourni avec un câble électrique à 3 fils d'une longueur de 5 mètres. La prise fournie avec cet appareil n'est pas imperméable et doit être connectée à l'alimentation secteur dans une annexe sèche et étanche conformément à la réglementation locale.
- 1.7 AVERTISSEMENT :** Cet appareil DOIT être branché à la terre et il est indispensable que les branchements soient faits en utilisant les codes suivants :
 - MARRON - phase
 - BLEU - neutre
 - VERT/JAUNE - terre.
- 1.8** Les câbles exposés doivent être positionnés et protégés dans des conduits blindés, notamment lorsqu'ils peuvent entrer en contact avec du matériel de jardinage (tondeuses, fourches, etc.), des enfants ou des animaux.
- 1.9** Un disjoncteur de courant résiduel (RDC) de 30 mA maximum DOIT être installé sur l'alimentation secteur.

- 1.10 Les installations permanentes à l'alimentation secteur doivent être conformes aux réglementations locales et nationales en matière de câblage. En cas de doute concernant le câblage au secteur, contactez un électricien d'électricité locale.
- 1.11 N'utilisez jamais le câble d'alimentation ou la poignée de nettoyage pour soulever ou déplacer le filtre, car cela pourrait l'endommager. Si le filtre doit être déplacé, l'appareil doit être d'abord éteint et purgé de son eau. Puis soulevez l'appareil en l'attrapant à l'endroit où le couvercle est fixé au corps principal.
- 1.12 Ne vous asseyez ni ne vous appuyez jamais contre la manivelle de nettoyage ! Fig 4 -
- 1.13 Ne soulevez jamais le filtre en utilisant la poignée de nettoyage. Portez toujours l'unité en utilisant les deux mains et en tenant fermement le bord du couvercle (Fig 5).
- 1.14 Ne pas utiliser votre filtre lorsqu'il est sec.
- 1.15 Ne pas obstruer les sorties lorsque le filtre est en cours d'utilisation.
- 1.16 Ne mettez jamais en marche l'appareil si le câble d'alimentation est endommagé. Le câble d'alimentation ne peut pas être remplacé. Si le câble est endommagé, le boîtier électrique doit être jeté conformément à la réglementation locale.
- 1.17 Protégez contre le gel si l'unité n'est pas utilisée toute l'année. (Voir la partie "protection hivernale").
- 1.18 Protégez le filtre du soleil direct.
- 1.19 Ce produit n'est pas adapté à une température d'eau supérieure à 35°C ou inférieure à 0°C.
- 1.20 N'utilisez que des accessoires conçus pour cet appareil. L'utilisation de tout autre accessoire ou pièce détachée pourrait annuler votre garantie.

Indications d'ordre général

- 2.1 Le tableau des informations techniques au verso donne des indications d'ordre général sur les spécifications des filtres & pompes recommandés. Mais, pour de meilleurs résultats, plusieurs autres facteurs de condition doivent être pris en compte, car ils peuvent réduire l'efficacité du filtre.
 - **Profondeur du bassin** : Hozelock Cyprio recommande une profondeur minimale de 1,2 m pour les bassins de carpes Koi. Pour un bassin d'une profondeur moyenne de moins de 0,75 m, le facteur de condition est de + 25 %. Les bassins peu profonds sont sujets à une pénétration complète de la lumière du soleil, et se réchauffent donc très vite. Cela encourage la croissance des algues.
 - **L'emplacement** : L'emplacement du bassin détermine la quantité de lumière solaire ou la quantité d'ombre que celui-ci reçoit. Les bassins exposés à la lumière directe du soleil toute la journée ont un facteur de condition de +25 %.
 - **Climat** : Le climat influence la température de l'eau et le taux d'activité/les besoins alimentaires des poissons. Plus les poissons sont actifs, plus l'utilisation du système de filtrage sera importante. Dans les climats chauds (ex : Afrique du sud), le facteur de condition est de +35 %. Dans les climats tempérés (ex: le sud de l'Europe), le facteur de condition est de +15 %. Dans l'Europe du nord (ex : la majeure partie de la Grande-

Bretagne) le facteur de condition est de 0 %.

- **EXEMPLE** : Vous avez un bassin pour poisson rouge de 2 200 litres, et de 0,75 m de profondeur (Facteur de condition de +25 %). Vous vivez à Londres - un climat du nord de l'Europe (Facteur de condition de +0 %). Le bassin est exposé à la lumière directe du soleil (+25 %). Le volume réel de votre bassin est, donc, augmenté de 50 % (25 % + 25 %), et vous devrez donc choisir des équipements qui correspondent à un bassin de 3 300 litres.
- 2.2 **Le débit** : Pour de meilleurs résultats, tout le volume d'eau du bassin doit passer à travers le filtre Bioforce Revolution toutes les heures et demi - 2 heures et demi, cela correspond au débit maximum recommandé pour les bassins de carpes koi. Ne dépassez pas le débit maximum, spécifié dans le tableau d'informations techniques situé au verso. Un débit correct est nécessaire pour obtenir une eau claire. Si votre installation n'a pas de pertes importantes (c'est-à-dire des tuyaux longs), il sera peut-être nécessaire de régler le débit pour atteindre le taux de renouvellement de l'eau en 1 heure et demi à 2 heures et demi, ceci à l'aide d'un robinet de contrôle de débit.

Des tuyaux de petit diamètre, des tuyaux trop longs, ou une grande hauteur de pompage peuvent réduire considérablement le débit d'une pompe. Nous vous recommandons de choisir une pompe délivrant le débit requis pour compenser la hauteur statique de pompage (= la distance verticale entre la surface du bassin et l'entrée du filtre), plus 0,6 m pour compenser les pertes dues au frottement dans les tuyaux.

Le but de la filtration est de transférer les déchets du bassin dans le filtre, et donc toute pompe utilisée dans l'installation devra être capable de transporter les déchets solides. Nous recommandons l'utilisation des pompes Hozelock Cyprio de la gamme Aquaforce spécialement conçues pour les bassins de dimensions couvertes par Bioforce Revolution. La pompe doit être placée dans la partie la plus profonde du bassin pour garantir la meilleure circulation d'eau dans le bassin et maximiser la capacité de transport des déchets solides. La pompe doit être installée sur une plateforme plate surélevée de 30 cm par rapport au fond du bassin. Ceci évitera à la pompe d'aspirer la saleté directement du fond du bassin et laissera suffisamment d'eau dans le bassin en cas de fuite accidentelle.

Comment contrôler le débit : Prenez un récipient d'un volume connu et chronométrez le temps nécessaire pour le remplir (en secondes). Divisez 3 600 par le nombre de secondes nécessaire au remplissage du récipient, et multipliez par le volume du récipient (en litres). Le résultat sera le débit en litres par heure (l/h).
- 2.3 **Densité de poissons dans le bassin** : Dans des conditions normales et avec un régime nutritionnel adapté, la gamme Bioforce Revolution peut supporter jusqu'à 50 cm de poissons par 1 000 litres de capacité de bassin. Introduisez les poissons lentement au cours des premières semaines, jusqu'à 20 % du niveau maximum recommandé, et augmentez jusqu'à 50 % après 6 mois. L'équilibre permettra le développement des poissons.
- 2.4 **Traitements du bassin** : Certains traitements/ médicaments peuvent se dégrader très vite avec les radiations UV-C. Peuvent à arrêter le filtre pendant le

traitement de l'affection. Les filtrages mécanique et biologique continuerons de fonctionner.

Si vous traitez votre bassin contre les algues, éteignez aussi bien la pompe que le filtre pendant la durée du traitement jusqu'à ce que algues traitées disparaissent du bassin.

- 2.5 Un soin particulier doit être apporté aux raccords de tuyaux pour éviter les fuites et les pertes d'eau du bassin.

Installation

- 3.1 **Important** : N'utilisez pas de pompe ayant un débit supérieur à 8 000 l/h ou une hauteur de pompage maximum supérieure à 5 m avec les filtres de la gamme Bioforce Revolution.
- 3.2 **Important** : Les filtres Bioforce Revolution doivent être installés en position verticale uniquement (Fig 6).
- 3.3 Les filtres Bioforce sont des filtres externes pressurisés avec unités à UV-C, alimentés par pompe, prévus pour une installation au-dessus du sol (Fig 7) ou dans le sol (Fig 8) à côté de votre bassin ou cachés en haut d'une cascade.

Si vous décidez d'installer votre filtre au-dessus du sol, placez ce dernier sur un sol plat.

Si vous décidez d'enterrer partiellement votre filtre, l'excavation doit être solidement remblayée avec du sable compacté pour soutenir l'unité. Si vous choisissez cette installation, laissez au minimum 50 mm entre le collier de serrage et le sol pour un démontage aisé lors de l'entretien annuel.

- 3.4 L'utilisation de petits tuyaux flexibles peut entraîner une diminution excessive du débit. Plus le diamètre du tuyau est grand, plus le filtre sera performant, surtout avec de longs tuyaux. Les bacs de tuyau fournis avec cette unité permettent l'utilisation de tuyaux Cypriflex de 25 mm, 32 mm et 40 mm. Nous recommandons l'utilisation de tuyaux de 40 mm de diamètre sur les filtres Bioforce Revolution pour éviter toute limitation de débit.

Quand vous aurez choisi le diamètre de tuyau à utiliser, coupez la partie du bec de tuyau de diamètre inférieur pour éviter toute limitation de débit. (Fig 9).

La pompe qui alimente le filtre et le tuyau de sortie au bassin devront être aussi éloignés que possible pour avoir une circulation d'eau optimale, donc pensez-y lors de l'achat, de la prise de mesure et du découpage des tuyaux Cypriflex.

Installez une longueur appropriée de tuyau entre la pompe d'alimentation et l'entrée du filtre (Fig 10 (i)) et attachez le tuyau au bec de tuyau en utilisant les clips de serrage Hozelock Cyprio, disponibles séparément. Puis connectez une longueur appropriée de tuyau à la sortie du filtre (Fig 10 (ii)) de la même manière. Pour les détails concernant la sortie des eaux usées (Fig 10 (iii)), consultez la rubrique "Nettoyage".

Placez la pompe dans le bassin à un emplacement adéquat et positionnez le bout du tuyau de sortie pour permettre à l'eau filtrée de retourner dans le bassin.

Évitez les noeuds et les plis en positionnant les tuyaux. Utilisez des longueurs de tuyaux aussi courtes que possible pour éviter les limitations de débit.

- 3.5 Positionnez la manivelle au-dessus du boîtier électrique. Prenez la poignée de manivelle fournie et clipsez-la à la manivelle de nettoyage (Fig 11).

Votre filtre est maintenant prêt à être utilisé.

Fonctionnement

- 4.1 **Positionnez la valve directionnelle sur la sortie vers le bassin (Fig 12).**
- 4.2 Branchez le câble d'alimentation du filtre (Consultez la rubrique 1 – Sécurité et branchements électriques). Ceci allume la lampe UVC. Vous pouvez contrôler le fonctionnement de la lampe grâce à la leur bleuâtre dans la lentille d'indication de l'état de la lampe UV placée sur le dessus du boîtier (Fig 1 (c)).
- 4.3 Allumez la pompe.
- 4.4 **Périodes de fonctionnement** : Faites fonctionner le filtre 24 heures sur 24. Idéalement, il devrait fonctionner toute l'année mais il doit marcher au moins tant que les poissons se nourrissent (jusqu'à ce que la température de l'eau descende sous les 10°C). En hiver, l'utilisation de la pompe et du filtre permettra de maintenir un niveau minimum de bactéries utiles dans le Bioforce et protégera le bassin contre le gel. Si vous éteignez la pompe pendant l'hiver, lavez le filtre minutieusement avant de reprendre la filtration au printemps (consultez la rubrique "Rangement en hiver", 11.0). Ne nourrissez jamais vos poissons quand le filtre n'est pas en fonctionnement.

Maturation

- 5.1 La maturation biologique signifie que le filtre a permis l'accumulation suffisante de bactéries nitrifiantes pour transformer les déchets organiques des poissons et autres déchets (ex.: ammoniac, nitrite) en nitrates inoffensifs. Le processus prend normalement entre 6 et 8 semaines, mais dépend de nombreux facteurs tels que la température de l'eau, le taux d'alimentation et la densité du stockage. Accélérez la maturation en ajoutant un agent de maturation comme le Hozelock Cyprio Filter Start.

Nettoyage

Quand nettoyer votre Bioforce Revolution.

Les filtres Bioforce Revolution offrent des performances maximales avec un minimum d'entretien. Si le bassin est très sale, le filtre peut nécessiter un nettoyage tous les deux ou trois jours au début, car il amasse rapidement les déchets. Une fois que le bassin est plus propre, il y a moins de déchets à retirer et donc le filtre nécessite des nettoyages moins fréquents. Les filtres pressurisés sont les plus efficaces lorsque la mousse devient partiellement obstruée. Cependant si l'obstruction augmente, le débit d'eau à travers la mousse diminue et le nettoyage du filtre devient nécessaire.

- 6.1 Coupez l'alimentation de la pompe.
- 6.2 Connectez une longueur de tuyau suffisante sur la sortie des eaux usées du filtre (Fig 10(iii)) avec un bec de tuyau et un clip de serrage. Le bout du tuyau des eaux usées peut être déposé sur un drain ou un parterre de fleur. Les eaux usées font un très bon engrais.
- 6.3 Tournez la manivelle plusieurs fois. Nous vous recommandons de faire plusieurs tours dans le sens des

aiguilles d'une montre, puis dans le sens inverse (Fig 13). La rotation de la manivelle fait tourner les lames de nettoyage jaunes (Fig 2 (g)) qui vont séparer et presser chaque cube de mousse entraînant le décolllement des déchets collectés.

6.4 Tournez la valve directionnelle sur la position "eaux usées" (Fig 14). Vous entendrez un "clac".

6.5 Allumez la pompe.

6.6 Continuez à tourner la manivelle (plusieurs tours complets dans chaque direction). Au début, les eaux usées seront d'un vert ou marron intense suivant la configuration de votre bassin.

Puis la couleur de l'eau devient moins intense et l'eau de plus en plus claire. A ce stade, arrêtez de tourner la manivelle et remettez-la en place, au-dessus du boîtier principal (Fig 15).

Attendez 5 secondes que les derniers jets d'eaux usées sortent et repositionnez la valve directionnelle sur la sortie vers le bassin.

AVERTISSEMENT : Le fait de laisser la valve sur la position "eaux usées" videra le bassin. Assurez vous qu'elle est bien remise en position de sortie vers le bassin.

6.7 Le temps nécessaire au nettoyage de votre filtre dépend de plusieurs facteurs, mais plus vous le nettoierez régulièrement et moins il faudra de temps. En général le nettoyage prend quelques minutes.

De temps en temps, il vous faudra compléter le niveau d'eau du bassin pour remplacer les eaux usées enlevées pendant le nettoyage. Le changement partiel de l'eau est un aspect important pour que le bassin reste sain.

Maintenance

Avertissement : Lisez ces instructions de maintenance avant d'ouvrir l'appareil.

Avertissement : N'essayez pas d'enlever le couvercle ou le boîtier électrique pendant que la pompe ou le filtre fonctionnent. Un emplacement pour un cadenas est prévu dans le collier de serrage du couvercle afin d'empêcher toute ouverture accidentelle et nous recommandons son utilisation s'il y a des enfants.

7.1 Remplacement de la lampe UV :

Avertissement : L'appareil doit être déconnecté de l'alimentation électrique avant d'enlever l'émetteur UV-C.

L'efficacité d'une lampe UV diminue de façon importante avec le temps, il est donc conseillé de changer de lampe UV tous les 12 mois, même si celle-ci continue de fonctionner.

7.1.1 Coupez le courant électrique dans la pompe et le filtre.

7.1.2 Tournez la valve directionnelle sur eaux usées. Ceci permet d'égaliser la pression interne à la pression atmosphérique externe et de permettre le démontage du boîtier électrique sans avoir de remontée d'eau à la surface du couvercle.

7.1.3 Tournez la manivelle de nettoyage d'un demi-tour pour libérer le déplacement du boîtier électrique (Fig16 (i)).

7.1.4 Utilisez un tournevis pour dévisser les 5 vis qui maintiennent le boîtier électrique au couvercle. (Fig 16 (iii)). Il y a un petit emplacement prévu entre l'entrée et la sortie du filtre pour entreposer les vis pendant que

vous changez la lampe (Fig 16 (iii)).

7.1.5 Attrapez le boîtier électrique et tirez-le doucement vers le haut. Retournez le boîtier électrique et posez-le sur une surface plane et sèche.

7.1.6 Fig 17. Dévissez le collier de blocage du tube de quartz (i). Tenez délicatement le tube de quartz (ii), enlevez-le avec son anneau (iii) et son collier de serrage.

7.1.7 Enlevez la vieille lampe en la détachant doucement de son emplacement, ôtez le capuchon de protection noir du bout de la lampe (Fig 17 (iv)) et enlevez la plaque de réflecteur (Fig 17 (v)). Jetez la vieille lampe conformément aux réglementations locales et installez la nouvelle lampe.

7.1.8 Remettez la plaque du réflecteur et le capuchon noir sur le bout de la lampe.

7.1.9 Glissez le tube de quartz par-dessus la lampe. Assurez-vous que les deux anneaux à la base du tube de quartz sont propres.

7.1.10 Glissez le collier de blocage sur le tube de quartz et vissez-le. Vous devez visser le collier de blocage jusqu'à ce qu'il touche le boîtier et que vous ne puissiez plus le visser.

7.1.11 Remettez le boîtier électrique. Le boîtier ne peut se placer que dans une position, donc n'essayez pas de le replacer en force. Une fois en place, revissez les 5 vis. Les vis doivent être revissées à fond afin d'activer l'interrupteur de sécurité.

7.1.12 Tournez la valve directionnelle sur la sortie vers le bassin et remettez la manivelle de nettoyage en place.

7.1.13 Redémarrez la pompe pour contrôler l'absence de fuites, puis allumez la lampe UV. Contrôlez la présence d'une lueur bleuâtre dans la lentille d'indication UV.

7.2 Entretien du tube de quartz à UV :

En particulier dans les régions à eau calcaire, le tube de quartz de la lampe UV peut se recouvrir de tartre. Si on le laisse s'accumuler, il peut nuire à l'efficacité de l'unité. Pour nettoyer, éteignez la pompe et coupez le courant sur la lampe UV, retirez le boîtier électrique, comme sur la figure 7.1, et essuyez le tube de quartz avec un chiffon doux humide imbibé d'un produit de nettoyage tel que du vinaigre (See fig 18). Vous devez porter des vêtements de protection pour le nettoyage du tube de quartz, de même que des lunettes de sécurité et des gants.

7.3 Remplacement des cubes de mousse Cypricube :

Contrôlez votre mousse tous les ans. La fréquence de remplacement de la mousse dépend de la configuration de votre bassin. Nous vous recommandons de changer la mousse pendant l'hiver et avant de commencer à nourrir les poissons au début du printemps*. Changer la mousse à une autre période de l'année pourrait entraîner une altération chimique du bassin et être nuisible aux poissons.

*Avec le refroidissement de l'eau du bassin en automne, les poissons ralentissent leur activité et se préparent à hiberner. Leurs systèmes digestif et immunitaire ralentissent, ils ne sont plus capables de digérer les mêmes aliments que durant les mois chauds. Quand ils ont faim, ils se nourrissent d'aliments plus simples, naturellement présents dans le bassin. Par conséquent, si la température de l'eau descend sous les

10°C pendant une longue période, vous devez arrêter d'alimenter vos poissons. Dès que le temps se réchauffe au début du printemps, les poissons deviennent plus actifs et vous pouvez graduellement recommencer à nourrir vos poissons.

- 7.3.1 Coupez le courant électrique dans la pompe et le filtre.
- 7.3.2 Tournez la valve directionnelle sur "eaux usées". Ceci permet d'égaliser la pression interne à la pression atmosphérique externe et de démonter le couvercle.
- 7.3.3 Relâchez le collier de serrage du couvercle (Fig 2(n)). Relâchez et enlevez doucement le couvercle en utilisant les 2 leviers sur les côtés opposés (Fig 19). Pensez à détacher les tuyaux pour vous aider.
- 7.3.4 Enlevez le bac à mousse (Fig 2(i)) et jetez la vieille mousse. Videz l'eau du récipient du filtre en conservant les éléments biologiques dans un filet. Les éléments biologiques ne nécessitent aucun entretien.
- 7.3.5 Si le fond du récipient est recouvert de vase, rincez-le avec de l'eau du bassin.
- 7.3.6 Remplacez les éléments biologiques en vous assurant de les répartir autour du cornet bio (Fig 2(o)) au fond du récipient. Il ne doit pas y avoir d'éléments biologiques dans le cornet bio (Fig 20).
- 7.3.7 Placez le bac à mousse dans le récipient. Tournez le bac à mousse jusqu'à ce que les petits triangles au sommet du bac s'alignent sur une des lignes verticales à l'intérieur du récipient (Fig 21). Le bac à mousse se mettra en place. **Contrôlez le bon positionnement du bac à mousse pour permettre la mise en place du couvercle.**
- 7.3.8 Remplissez le bac à mousse avec la quantité recommandée de mousse Cypricube de remplacement. Ne vous inquiétez pas si la nouvelle mousse sèche prend plus de place. Évitez de faire tomber de la mousse dans le trou central du cornet bio.
Ne compressez jamais la mousse pour en mettre plus. La mousse sèche doit être ajoutée de manière légère et ne doit pas dépasser du récipient (Fig 22). Trop de mousse peut rendre le nettoyage du filtre difficile.
- 7.3.9 Vérifiez que le joint (Fig 2(l)) en haut du récipient du filtre est propre et en place. Vous pouvez ajouter un peu de graisse de silicone sur le joint pour l'assemblage. Remettez le couvercle. Glissez le tube noir central couvrant la lampe UV dans le trou central.
- 7.3.10 Remettez le collier de serrage du couvercle. Vérifiez qu'il n'y a pas d'eau sous la bande du collier et pensez à lubrifier le levier du collier avec un lubrifiant à base d'huile.
- 7.3.11 Tournez la valve directionnelle sur la sortie vers le bassin et remettez la manivelle de nettoyage en place.
- 7.3.12 Redémarrez la pompe pour contrôler l'absence de fuites. Puis allumez la lampe UV. Contrôlez la présence d'une lueur bleuâtre dans la lentille d'indication UV.

Rangement hivernal

- 8.1 Pendant la froide saison hivernale (quand les poissons hibernent et que la prolifération des algues s'arrête), l'unité peut être arrêtée. Elle peut alors être enlevée, minutieusement lavée, nettoyée et séchée, puis rangée dans un endroit protégé, sec et froid. Rangez toujours l'unité avec le couvercle démonté pour assurer le séchage et une ventilation adéquate.

Résolution des problèmes / Foire aux questions

Problème	Cause possible	Remède
Pas d'eau qui traverse le filtre ni à la sortie vers le bassin.	Pompe d'alimentation éteinte ou en panne.	Vérifiez que la pompe est allumée et fonctionne.
	Tuyau d'alimentation bouché.	Vérifiez que les tuyaux d'alimentation et de retour au bassin ne sont pas bouchés.
	Valve directionnelle positionnée sur "eaux usées"	Tournez la valve directionnelle sur "bassin".
Débit réduit à travers le filtre	Mousses bouchées.	Nettoyez le filtre (Voir "Nettoyage").
	Tuyau d'alimentation bouché.	Vérifiez que les tuyaux d'alimentation et de retour au bassin ne sont pas bouchés.

Problème	Cause possible	Remède
L'eau ne s'éclaircit pas	Le nouveau filtre n'est pas encore à maturation.	La clarté de l'eau du bassin devrait s'améliorer dans 2 à 3 semaines, mais la maturation biologique complète peut prendre 6 à 8 semaines avant que le filtre ne soit complètement opérationnel.
	Mauvais dimensionnement de filtre pour votre bassin.	Vérifiez que vous utilisez le filtre approprié à votre configuration de bassin.
	Mauvais dimensionnement de la pompe d'alimentation.	Vérifiez votre débit. Voir 2.2.
	Lampe UV grillée.	Vérifiez l'indicateur de la lampe UV. Remplacez la lampe UV.
	Vieille lampe UV.	Remplacez la lampe UV tous les 12 mois.
	La mousse nécessite un nettoyage.	Nettoyez le filtre (Voir "Nettoyage").
	Le tuyau de retour vers le bassin est posé au dessus de la pompe d'alimentation.	Déplacez la pompe ou le tuyau de retour pour qu'ils soient aussi éloignés que possible.
	Le bassin contient trop de poissons.	Réduisez la quantité de poissons dans votre bassin.
	Trop de nourriture.	Ne mettez pas plus de nourriture que ce que les poissons peuvent consommer en quelques minutes. Ne les nourrissez qu'une fois par jour.
La manivelle de nettoyage ne tourne pas.	La pompe fonctionne au début du nettoyage.	Eteignez la pompe. Tournez la manivelle dans les deux sens plusieurs fois. Allumez votre pompe (Voir "Nettoyage").

Garantie Eau Claire Hozelock Cyprio

NOUS VOUS GARANTISSONS UNE EAU CLAIRE OU LE REMBOURSEMENT DE VOTRE ACHAT d'un Hozelock Cyprio Bioforce Revolution lorsqu'il est utilisé avec la pompe adéquate. Cette garantie est valable 12 mois à compter de la date d'achat, sous réserve des conditions suivantes :

- Vous avez respecté les instructions concernant l'installation et le fonctionnement du produit.
- Vous utilisez l'équipement de la taille qui convient, conformément aux informations de dimensionnement de Hozelock Cyprio.
- Vous avez consulté notre service d'assistance téléphonique (+44 0 121 313 1122) suffisamment tôt pour résoudre vos problèmes.

- Le produit a été retourné en parfait état.

Seule la société Hozelock Cyprio est habilitée à autoriser un remboursement, et celui-ci ne sera effectué que sur le lieu d'achat et au montant de l'achat. Veuillez noter que la Garantie Eau Claire couvre la perte de clarté due aux algues causant l'eau verte, mais ne couvre pas la perte de clarté due aux algues filamenteuses.

Garantie de deux ans Hozelock Cyprio

Si ce Bioforce Revolution (lampe UV exclue) devient inutilisable dans les 2 ans à partir de la date d'achat, il sera soit réparé soit remplacé gratuitement, sauf s'il a été endommagé. Le fabricant n'est pas responsable des dommages dus à un accident, ou à une installation ou un usage inappropriés. La responsabilité se limite au remplacement du produit défectueux. Cette garantie ne peut être transmise. Cela n'affecte aucunement vos droits légaux. Pour bénéficier des avantages de cette garantie, veuillez d'abord contacter Hozelock Cyprio Consumer Services (0121 313 1122) qui pourra vous demander de renvoyer l'unité accompagnée d'une preuve d'achat directement à l'adresse indiquée ci-dessous.

Contact / Pièces détachées

www.hozelock.com

Informations techniques

Numéro de pièce	1352	1353	1354
Puissance UV-C (W)	Bioforce Revolution		
Taille maximum du bassin avec poissons	230V 50Hz		
Taille maximum du bassin sans poissons	18	24	36
Taille maximum de la pompe Hozelock Cyprio Aquaforce (l/h)	6000 l	9000 l	14000 l
débit max, Qmax, (l/h)	12000 l	18000 l	28000 l
Classification IP	4000	6000	8000
Température maximale de l'eau Tmax,, (°C)	3000	4500	7000
Système de nettoyage Bioforce Revolution	IP57	IP57	IP57
Max vattentemperatur Tmax,, (°C)	35°C	35°C	35°C
Bioforce Revolution rengöringssystem	✓	✓	✓

* Mesures obtenues dans des conditions spécifiques



Ne vous débarrassez pas des appareils électriques dans les ordures ménagères, veuillez utiliser des installations de collecte séparées. Veuillez contacter votre municipalité pour plus d'informations concernant les systèmes de collecte. Si les appareils électriques sont éliminés par enfouissement ou dans une décharge, les substances dangereuses peuvent s'infiltrer dans l'eau souterraine et se retrouver dans la chaîne alimentaire, nuisant à votre santé et votre bien-être. En Europe, lorsqu'on remplace de vieux appareils par des nouveaux, le détaillant est légalement tenu de reprendre votre ancien appareil pour s'en débarrasser gratuitement.

- eenvoudig te installeren;
- probleemloos te reinigen en onderhouden;
- bijna overal te plaatsen.

Als hij gebruikt wordt met de juiste vijverpomp vergroot hij de helderheid van het water, verwijdert hij ongewenste deeltjes uit de vijver en zet hij opgelost organisch en chemisch visafval om in onschadelijke stoffen.

Let op: UV-waarschuwing

Dit apparaat bevat een UV-C-uitstoter. Onbedoeld gebruik van het apparaat of schade aan de behuizing kan leiden tot het vrijkomen van gevaarlijke UV-C-straling. UV-C-straling kan, zelfs in kleine doses, leiden tot verwondingen aan ogen en huid. De lamp is voorzien van een contactschakelaar die de lamp uitschakelt als de elektrische behuizing wordt geopend.

Als hij brandt, kan de lamp voor gebruik worden gecontroleerd door te kijken of er een blauwachtige gloed op de UV-indicatorlens valt. Laat het apparaat nooit droog lopen.

Waarschuwing: Probeer niet de UV-C-uitstoter te bedienen als deze is verwijderd uit de apparaatbehuizing.

Belangrijk

Het apparaat is niet geschikt voor gebruik door personen (waaronder kinderen) met beperkte fysieke, zintuiglijke of verstandelijke vermogens, en gebrek aan kennis en ervaring, tenzij onder toezicht, of met instructies, van een persoon die verantwoordelijk is voor hun veiligheid. Kinderen moeten onder toezicht worden gehouden om te voorkomen dat zij met het apparaat spelen. Als duidelijk zichtbaar is dat het apparaat is beschadigd, mag het niet worden gebruikt.

Waarschuwing:

Veiligheid en elektrische aansluitingen

- 1.1 WAARSCHUWING: ONTROPPEL ALLE APPARATEN IN DE VIJVER VAN HET ELEKTRICITEITSNET WANNEER U UW HANDEN IN HET WATER STEEKT OM APPARATUUR TE INSTALLEREN, REPAREREN, ONDERHOUDEN OF BEHANDELEN.**
- 1.2** Dit filter is uitsluitend ontworpen voor gebruik in tuinvijvers. Gebruik dit filter niet voor andere toepassingen (zoals bijvoorbeeld een zwembad). Gebruik van het apparaat voor andere toepassingen kan leiden tot letsel of schade aan het apparaat.
- 1.3** Apparaten die duidelijk zijn beschadigd mogen niet worden gebruikt.
- 1.4** De doorzichtige buis in het apparaat is gemaakt van kwartsglas en moet met zorg worden behandeld tijdens installatie en onderhoud. Wij adviseren u oogbescherming en beschermende handschoenen te gebruiken.
- 1.5** Uw Bioforce Revolution-filter is weerbestendig maar mag niet worden ondergedompeld in water. Plaats het apparaat rechtop in de buurt van de vijver maar niet zodanig dat het in het water kan vallen of waar de grond kan onderlopen (Zie het gedeelte "Installatie").
- 1.6** **Belangrijk:** Dit apparaat wordt geleverd met 5 meter drieaderige elektriciteitskabel. De stekker die bij het apparaat wordt geleverd is niet waterbestendig en moet worden aangesloten op het lichtnet in een droge, weerbestendige behuizing overeenkomstig lokale regelgeving.

NL

Bedankt voor het kiezen van een Hozelock-kwaliteitsproduct, u kunt rekenen op een betrouwbare service voor dit product.

- a** Elektrische behuizing
- b** Deksel
- c** Indicatorlens UV-lamp
- d** Knop reinigingshendel
- e** Reinigingshendel
- f** Omleidingsklep
- g** Reinigingsbladen (geel)
- h** UV-omhulsel
- i** Schuimemmer
- j** Cypricube-schuim
- k** Bio-media
- l** Afsluitring vat
- m** Filterbakje
- n** Klem van deksel
- o** Bio-trompet
- p** Slangkoppeling en moer
- q** Hendel

INSTALLATIE- EN GEBRUIKERSHANDLEIDING



LEES DEZE HANDLEIDING ZORGVULDIG VOORDAT U BEGINT MET DE INSTALLATIE.

HET NIET OPVOLGEN VAN DE INSTRUCTIES KAN LEIDEN TOT LETSEL, BESCHADIGING VAN HET APPARAAT OF STERVEN VAN VIJSEN.

BEWAAR DEZE HANDLEIDING VOOR TOEKOMSTIG GEBRUIK.

Deze Hozelock Cyprio Bioforce Revolution is een nieuw concept voor het onderhoudsarm filteren van water in tuinvijvers.

Hij is:

- compact en efficiënt;

1.7 WAARSCHUWING: Het apparaat MOET worden geaard. Het is hierbij van belang dat de aansluitingen overeenkomstig de navolgende codering gemaakt worden:

- BRUIN - spanning
- BLAUW - neutraal
- GROEN/GEEL - aarde

1.8 Stukken blootliggende kabel moeten met zorg worden geplaatst. Ze moeten zonodig worden beschermd met een elektriciteitsbuis, vooral als er kans is dat ze in contact komen met tuingeredschap, zoals een vork of een grasmaaimachine, of kinderen en huisdieren.

1.9 Een aardlekschakelaar van maximaal 30 mA MOET op de stroomtoevoer worden aangesloten.

1.10 Permanente aansluiting op het lichtnet (vaste bekabeling) moet in overeenstemming met de nationale en lokale regelgeving zijn. In geval van twijfel over de aansluiting op het lichtnet moet u een bevoegd elektricien of de betreffende lokale instanties raadplegen.

1.11 Gebruik de stroomkabel of de reinigingshendel nooit om het filter op te tillen of te verplaatsen. Het apparaat kan hierdoor beschadigd raken. Als het filter moet worden verplaatst, moet het apparaat eerst worden uitgeschakeld en leeggepompt. Til het apparaat op door het vast te houden in het gebied waar het deksel op het hoofvat is geklemd.

1.12 Gebruik de reinigingshendel nooit om op te zitten of tegenaan te leunen! (Afb. 4).

1.13 Til het filter nooit op aan de reinigingshendel. Draag het apparaat altijd door de rand van het deksel met twee handen vast te houden (Afb. 5).

1.14 Laat het filter niet droog werken.

1.15 Blokkeer de uitgangen niet terwijl het filter in gebruik is.

1.16 Gebruik het apparaat niet als het netsnoer is beschadigd. Het netsnoer kan niet worden vervangen. Als het netsnoer is beschadigd, moet de elektrische behuizing worden weggegooid overeenkomstig lokale regelgeving.

1.17 Bescherm het apparaat tegen bevriezing als u het niet het hele jaar gebruikt. (Zie het gedeelte "Gebruik in de winter".)

1.18 Bescherm het filter tegen direct zonlicht.

1.19 Dit apparaat is niet geschikt voor watertemperaturen hoger dan 35°C of lager dan 0°C.

1.20 Gebruik uitsluitend accessoires die zijn ontworpen om met dit apparaat te gebruiken. Het gebruik van andere accessoires of onderdelen kan uw recht op garantie beïnvloeden.

Indications d'ordre général

2.1 De Technische specificaties op de ommezijde geven algemene richtlijnen over de specificaties van het filter en de aanbevolen pomp. Voor de beste resultaten moet echter ook rekening worden gehouden met andere factoren, omdat deze het vermogen van het filter kunnen beïnvloeden.

- Diepte van de vijver Hozelock Cyprio beveelt een minimale diepte van 1,2 m aan voor koivijvers Voor

een vijver met een gemiddelde diepte van minder dan 0,75 m, is de voorwaardefactor +25%. Het zonlicht kan volledig doordringen in ondiepe vijvers, waardoor deze snel opwarmen. Dat stimuleert de groei van algen.

- Plaats De plaats van de vijver bepaalt de hoeveelheid zonlicht of schaduw die op de vijver valt. Vijvers die gedurende de hele dag worden blootgesteld aan volle zon hebben een voorwaardefactor van +25%.

- Klimaat Het klimaat beïnvloedt de watertemperatuur en heeft effect op de activiteit van uw vissen en hun voedingsbehoeften. Hoe actiever de vis is, hoe hoger de eisen die aan het filtersysteem worden gesteld. In warme klimaten (bijvoorbeeld Zuid-Afrika) is de voorwaardefactor +35%. In gematigde klimaten (bijvoorbeeld Zuid-Europa) is de voorwaardefactor +15%. In een Noord-Europees klimaat (bijvoorbeeld de meeste gebieden in Groot-Brittannië) is de voorwaardefactor +0%.

• VOORBEELD

U hebt een goudvissenvijver van 2200 liter met een diepte van 0,75 m (voorwaardefactor +25%). U woont in Londen (Noord-Europees klimaat, voorwaardefactor +0%). De vijver wordt blootgesteld aan vol zonlicht (+25%). Het effectieve volume van uw vijver neemt daardoor met 50% toe (25% + 25%). De apparatuur die u aan dient te schaffen moet dan geschikt zijn voor een vijver van 3300 liter.

2.2 Stroomsnelheid Voor de beste resultaten moet al het water van de vijver iedere 1½ tot 2½ uur door de Bioforce Revolution lopen, waarbij de snelste stroomsnelheid wordt aanbevolen voor koi vijvers. Overschrijd de maximale stroomsnelheid niet die wordt aangegeven in de Technische specificaties op de ommezijde. De juiste stroomsnelheid is belangrijk voor de helderheid van het water. Als uw installatie niet te lijden heeft onder hoge verliezen (bijvoorbeeld door lange slangverbindingen), kan het nodig zijn de stroomsnelheid aan te passen om de omzetsnelheid van 1½ - 2½ uur te bereiken door een stroomcontroleerende slangaansluiting te gebruiken.

Slangen met een kleine diameter, onnodig lange slangen en grote opvoerhoogte kunnen de omzet van een pomp sterk beïnvloeden. Wij adviseren daarom een pomp te kiezen die de gewenste doorstroming kan geven bij volledig statische opvoerhoogte (= verticale afstand tussen pompoppervlak en filterinlaat), plus 0,6 m om wrijvingsverlies in de slangen te compenseren.

Doel van het filteren is het overbrengen van afvalmateriaal van de vijver naar het filter. Dit betekent dat iedere pomp die wordt gebruikt als onderdeel van het totale pakket in staat moet zijn vaste stoffen te verwerken, zoals bijvoorbeeld de Hozelock Cyprio-reeks van Aquaforce-pompen die speciaal is ontworpen voor vijvers met formaten die binnen het bereik van Bioforce Revolution liggen. De pomp moet in het diepste gedeelte van de vijver worden geplaatst voor optimale circulatie van het water in de vijver en maximalisering van het vermogen vaste stoffen te verwerken. De pomp moet worden geïnstalleerd op een vlak platform op 300 mm afstand van de bodem van de vijver. Dit voorkomt dat de pomp vuil rechtstreeks van de bodem van de vijver opzuigt en zorgt ook dat er voldoende water in de vijver blijft in geval van lekkage van de vijver.

De stroomsnelheid controleren Gebruik een bak waarvan het volume bekend is en neem op hoe lang het duurt deze te vullen (in seconden). Deel vervolgens 3600 door het aantal seconden dat nodig is om de bak te vullen en vermenigvuldig de uitkomst met het volume (liters) van de bak. De uitkomst is de stroomsnelheid in liters per uur (l/u).

- 2.3 **Visdichtheid** Onder normale omstandigheden en bij normale voeding ondersteunt de Bioforce Revolution tot 50 cm vis per 1000 liter vijvercapaciteit. Doe de vissen in de eerste paar weken geleidelijk aan in de vijver, tot 20% van het maximaal aanbevolen niveau, en verhoog dit na zes maanden desgewenst tot 50%. Dit evenwicht bevordert de groei van de vissen.
- 2.4 **Waterbehandeling** Sommige medicaties/ behandelingen kunnen erg snel vervallen onder invloed van UV-C-straling. Overweeg daarom het filter tijdens ziektebehandeling uit te schakelen. De mechanische en biologische filtering blijven doorwerken.
Wanneer u algen uit de verwijderd, zet dan de pomp en het filter uit voor de duur van de behandeling totdat de algen uit de vijver zijn verwijderd.
- 2.5 Als u dit doet, moet u de slangverbindingen extra goed in het oog houden. Lekkages kunnen leiden tot verlies van water uit uw vijver.

Installatie

- 3.1 **Belangrijk:** Gebruik geen pomp met een stroomsnelheid groter dan 8000 l/u of een maximale opvoerhoogte groter dan 5 m met de filters van Bioforce Revolution.
- 3.2 **Belangrijk:** Bioforce Revolution-filters mogen uitsluitend worden geïnstalleerd in rechtopstaande verticale positie (Afb. 6).
- 3.3 Bioforce Revolution-filters zijn door een pomp gevoede, onder druk staande externe filter- en UV-C-apparaten. Ze kunnen worden geïnstalleerd op de grond (Afb. 7) of in de grond (Afb. 8) naast de vijver of verborgen bovenaan een waterval.
Als u besluit uw filter boven de grond te installeren, plaats het dan op een vlak, horizontaal gedeelte.
Als u besluit uw filter gedeeltelijk in te graven, zorg dan dat u het gegraven gat na plaatsing van het filter stevig opvult met compact zand om het apparaat te ondersteunen. Als u voor deze installatie kiest, moet u ervoor zorgen dat er een ruimte van ten minste 50 mm overblijft tussen de klem en de grond zodat u het apparaat gemakkelijk kunt verwijderen voor jaarlijks onderhoud.
- 3.4 Het gebruik van slangen met een kleine diameter kan leiden tot overmatige belemmering van de doorstroming. Hoe groter de diameter van de slang, hoe beter de prestaties van het filter, vooral als lange afstanden met de slang moeten worden overbrugd. De slangkoppelingen die zijn geleverd met het apparaat zijn geschikt voor Cypriflex-slangen van 25 mm, 32 mm en 40 mm. Wij raden aan om bij Bioforce Revolution-filters altijd een slang van 40 mm te gebruiken om beperking van de doorstroming te voorkomen.
Als u hebt besloten welke slangdiameter u gaat gebruiken, snijd dan de trappen van de slangkoppeling af die kleiner zijn dan de slangdiameter om

belemmering van de doorstroming te voorkomen (Afb. 9).

De aanvoerpomp van het filter en de uitlaat van de retourslang van de vijver moeten zo ver mogelijk uit elkaar geplaatst worden voor optimale watercirculatie. Denk hieraan bij het kopen, meten en snijden van de Cypriflex-slang.

Bevestig een passende lengte slang tussen de aanvoerpomp en de filterinlaat (Afb. 10 (i)) en bevestig de slang aan de slangkoppeling met Hozelock Cyprio-slangklemmen, die apart verkrijgbaar zijn. Verbind vervolgens een passende slanglengte aan de filteruitlaat (Afb. 10 (ii)) op dezelfde wijze. Zie het gedeelte "Reinigen" voor informatie over de afvaluitlaat (Afb. 10 (iii)).

Plaats de pomp op een passende plaats in de vijver en plaats het einde van de uitlaatslang zo dat het gefilterde water terugloopt in de vijver.

Vermijd kinken en scherpe bochten bij het plaatsen van de slangen. Houd de slangen zo kort mogelijk om beperking van de doorstroming zo veel mogelijk te beperken.

- 3.5 Controleer of de slinger boven de elektrische behuizing is geplaatst. Neem de knop van de slinger en het meegeleverde deksel en bevestig die aan de reinigingshendel door ze op de hendel te plaatsen en in positie te klikken (Afb. 11).

Uw filter is nu klaar voor gebruik.

Bediening

- 4.1 **Controleer of de omleidingsklep in de richting van de vijveruitlaat staat (Afb. 12).**
- 4.2 Sluit de netvoeding van het filter aan (Zie hoofdstuk 1 - Veiligheid en elektrische aansluitingen). Hierdoor gaat de UV-C-lamp aan. U kunt controleren of de lamp werkt door te kijken of er een blauwe gloed op de UV-indicatorlens in de bovenste behuizing valt (Afb. 1 (c)).
- 4.3 Zet de pomp aan.
- 4.4 **Bedrijfsperiodes:** Houd het filter 24 uur per dag in werking. Bij voorkeur blijft het filter het hele jaar door in gebruik, maar op zijn minst tijdens het voerseizoen (d.w.z. tot de temperatuur van het water tot beneden 10°C daalt). Als de pomp met filter in de winter wordt gebruikt, worden daardoor de nuttige bacteriën in zekere mate in stand gehouden, waardoor de vijver minder snel bevriest. Als u de pomp in de winter uitzet, moet u het filter grondig schoonspelen voordat u de pomp in de lente weer aanzet (zie "Opslag in de winter", 11.0). Voer uw vissen nooit als het filter uitstaat.

Rijping

- 5.1 Biologische rijping betekent dat het filter genoeg nitrificerende bacteriën heeft opgebouwd om schadelijk visafval en andere biologische afvalstoffen (bijvoorbeeld ammoniak en nitriet) om te zetten in betrekkelijk schadeloos nitraat. Dit proces duurt meestal 6 tot 8 weken en is afhankelijk van veel factoren, zoals watertemperatuur, hoeveelheid voer en vissen. U kunt de rijping versnellen door een rijpingsmiddel zoals Hozelock Cyprio Filter Start toe te voegen.

Reiniging

Uw Bioforce Revolution reinigen

Bioforce Revolution-filters leveren optimale prestaties bij minimaal onderhoud. Als de vijver heel vies is, moet het filter soms eerst elke paar dagen worden gereinigd, aangezien er veel afvalmateriaal in wordt opgenomen. Naarmate de vijver helderder wordt, valt er minder afval te verwijderen zodat het filter minder vaak hoeft te worden gereinigd. Drukfilters werken het best als het schuim gedeeltelijk verstopt is. Naarmate het meer verstopt raakt, stroomt er minder water door het filter en moet het worden gereinigd.

- 6.1 Schakel de pomp uit met de hoofdschakelaar.
- 6.2 Verbind een passende lengte slang aan de afvaluitlaat (Afb. 10(iii)). Gebruik hiervoor de bijgeleverde slangkoppeling en een slangklep. Het einde van de afvalslang kan boven een afvoerput of een bloembed geplaatst worden. Het afvalwater is uitstekende meststof.
- 6.3 Draai de hendel een paar slagen. Wij adviseren zowel rechtsom als linksom een aantal slagen (Afb. 13) te maken. Terwijl de hendel wordt gedraaid, gaan de gele reinigingsbladen draaien (Afb. 2 (g)), waardoor de schuimblokken worden verbroken en samengeperst en het verzamelde afval eruit vrijkomt.
- 6.4 Zet de omléidingsklep in de afvoerpositie (Afb. 14). U hoort een "klik".
- 6.5 Zet de pomp aan.
- 6.6 Ga door met het draaien van de hendel (complete slagen in beide richtingen). Aanvankelijk zal het water donkergroen- of bruinegekleurd zijn, afhankelijk van de inrichting van uw vijver.

Na enige tijd wordt de kleur van het afvalwater lichter en wordt het water helderder. Stop nu met het draaien van de hendel en breng de hendel terug in de rustpositie boven de hoofdbehuizing (Afb. 15).

Wacht 5 seconden tot het laatste beetje water is doorgespoeld en zet dan de omléidingsklep weer in de vijverpositie.

WAARSCHUWING: Als u de klep in de afvoerpositie laat staan, zal uw vijver leeglopen. Let op dat u de klep terugzet naar de vijverpositie.

- 6.7 De tijd die nodig is voor het reinigen van het filter is afhankelijk van diverse factoren. Algemeen geldt dat hoe vaker u het filter reinigt, hoe korter een reiniging duurt. Normaal gesproken duurt het reinigen een paar minuten.

Vul het water in uw vijver regelmatig bij om het water te vervangen dat is afgevoerd bij het reinigen. Vervangen van een gedeelte van het water is erg belangrijk om een gezond klimaat in uw vijverwater te behouden.

Onderhoud

Waarschuwing: lees deze onderhoudshandleiding voordat u het apparaat opent.

Waarschuwing: probeer nooit om het deksel of de elektrische behuizing te verwijderen als de pomp en het filter in bedrijf zijn. Er is een gleuf voor een hangslot om per ongeluk openen te voorkomen. Wij raden u aan om van deze voorziening gebruik te maken als er kinderen in de

buurt zijn.

7.1 De UV-lamp vervangen:

Waarschuwing: het apparaat moet worden losgekoppeld van het lichtnet voordat u begint met het verwijderen van de UV-C-uitstoter.

De output van een UV-lamp vermindert over de tijd. Het is daarom aanbevolen de lamp iedere 12 maanden te vervangen, ook als hij nog werkt.

- 7.1.1 Schakel de stroomtoevoer naar aanvoerpomp en filter uit.
 - 7.1.2 Zet de omléidingsklep in de afvoerpositie. Hierdoor komt de interne druk op hetzelfde niveau als de omgevingsdruk en kan de elektrische behuizing gemakkelijk worden verwijderd zonder dat water omhoog komt en op het deksel komt.
 - 7.1.3 Draai de reinigingshendel een halve slag zodat hij de elektrische behuizing niet in de weg staat (Fig16 (i)).
 - 7.1.4 Gebruik een schroevendraaier om de 5 schroeven te verwijderen waarmee het deksel van de elektrische behuizing is vastgemaakt (Afb. 16 (ii)). Tussen de invoer en de uitvoer van het filter is een ruimte voorzien om de schroeven te bewaren tijdens het verwisselen van de lamp (Afb. 16 (iii)).
 - 7.1.5 Pak de elektrische behuizing vast en til hem voorzichtig omhoog om hem te verwijderen. Draai de behuizing ondersteboven en plaats hem op een droog, horizontaal oppervlak.
 - 7.1.6 Afb. 17. Verwijder de schroeven van de vergrendelkraag van de kwartsbuis (i). Houd de kwartsbuis voorzichtig vast (ii), til hem omhoog en verwijder hem met de o-ringen (iii) en de vergrendelkraag.
 - 7.1.7 Verwijder de oude lamp door deze voorzichtig uit zijn fitting te trekken. Verwijder de zwarte beschermende kap van het uiteinde van de lamp (Afb. 17 (iv)). Verwijder tenslotte de reflecterende plaat (Afb. 17 (v)). Gooi de oude lamp weg overeenkomstig lokale regelgeving en plaats de nieuwe lamp.
 - 7.1.8 Plaats de reflecterende plaat terug en druk de zwarte kap op het uiteinde van de lamp.
 - 7.1.9 Schuif de kwartsbuis over de lamp naar beneden. Controleer of de twee o-ringen onderaan de kwartsbuis schoon zijn en of er geen afval aan zit.
 - 7.1.10 Schuif de vergrendelkraag omlaag over de kwartsbuis en schroef hem vast. Schroef totdat de stop van de vergrendelkraag de stop van de behuizing raakt. De kraag kan dan niet verder naar beneden worden geschroefd.
 - 7.1.11 Plaats de elektrische behuizing terug. De behuizing kan slechts op één manier worden geplaatst. Probeer hem niet met kracht in een bepaalde positie te dwingen. Draai de 5 schroeven weer vast als de behuizing op zijn plaats staat. De schroeven moeten volledig vastgedraaid zijn voordat de contactschakelaar wordt geactiveerd.
 - 7.1.12 Draai de omléidingsklep terug in de vijverstand en breng de reinigingshendel terug in de rustpositie.
 - 7.1.13 Start nu de pomp en controleer of er geen lekkage is. Schakel daarna de UV-lamp in. Controleer of een blauwige gloed op de UV-indicatorlens valt.
- ### 7.2 Verzorging van de UV-kwartsbuis
- Vooraf in gebieden met hard water kan kalkafzetting

ontstaan op de mantel van de kwartsbuis van de UV-C-lamp. Als dit zich opbouwt, beïnvloedt het de efficiëntie van de lamp. Om de afzetting te verwijderen, schakelt u de pomp en de stroomtoevoer naar de UV-lamp uit. U verwijdert de elektrische behuizing zoals staat beschreven in 7.1 en veegt de kwartsbuis schoon met een zachte doek die is bevochtigd met een niet-bijtend reinigingsproduct, bijvoorbeeld azijn (Zie Afb. 18). Draag altijd beschermende kleding (zoals een beschermende bril en handschoenen) bij het reinigen van de kwartsbuis.

7.3 Het Cypricube-schuim vervangen

Inspecteer het schuim eens per jaar. Het is afhankelijk van de inrichting van uw vijver hoe vaak u het schuim moet vervangen. Wij adviseren het schuim tijdens de winter te vervangen en dit opnieuw te doen voordat u in de lente de vissen weer gaat voeren*. Als u het schuim vervangt op een ander tijdstip in het jaar, kan dit leiden tot veranderingen in de chemie van de vijver, wat niet goed voor uw vissen is.

*Als het water van de vijver in de herfst afkoelt, gaan de vissen langzamer bewegen als voorbereiden op een periode van semi-winterslaap. De spijsvertering en het immuunsysteem vertragen en ze kunnen dan niet hetzelfde voer verwerken als tijdens de warmere maanden. Als ze honger hebben voeden ze zich met eenvoudiger voedingsstoffen die van nature in het vijverwater zitten. Daarom moet u, als de temperatuur van het water gedurende een langere periode onder de 10°C valt, stoppen met het voeren van de vissen. Als het weer in de lente weer warmer wordt en de vissen actiever worden, bouwt u het voeren van de vissen weer langzaam op.

7.3.1 Schakel de stroomtoevoer naar aanvoerpomp en filter uit.

7.3.2 Zet de omléidingsklep in de afvoerpositie. Hierdoor komt de interne druk op hetzelfde niveau als de omgevingsdruk en kan het deksel gemakkelijk worden verwijderd.

7.3.3 Maak de klem van het deksel los (Afb. 2(n)). Open het deksel voorzichtig en verwijder het met behulp van de twee hendels in de tegenoverliggende sleuven (Afb. 19). Dit gaat gemakkelijker als u eerst de eraan bevestigde slangen verwijdert.

7.3.4 Til de schuimemmer op en verwijder deze (Afb. 2(i)). Gooi het oude schuim weg. Verwijder het water uit het filterbakje en verzamel hierbij de bio-media in een net. De bio-media hebben geen onderhoud nodig.

7.3.5 Als er een laag slijk op de bodem van het vat ligt, spoelt u het vat schoon met water uit de vijver.

7.3.6 Vervang de bio-media en plaats de nieuwe bio-media rondom de bio-trompet (Afb. 2(o)) op de bodem van het vat. Let op dat er geen bio-media in de bio-trompet terecht komt (Afb. 20).

7.3.7 Plaats de schuimemmer in het vat. Draai de schuimemmer totdat de kleine driehoekjes op de bovenrand van de schuimemmer zijn uitgelijnd met de verticale lijnen aan de binnenkant van het filterbakje (Afb. 21). De schuimemmer valt op z'n plaats. **Om het deksel gemakkelijk terug te kunnen plaatsen dient u de schuimemmer correct te plaatsen.**

7.3.8 Vul de schuimemmer met de aanbevolen hoeveelheid

nieuw Cypricube-schuim. Het is geen probleem als de nieuwe schuimblokken iets meer ruimte innemen dan de oude. Let erop dat er geen schuim via het gat in het midden terechtkomt in het gebied van de bio-trompet.

Druk het schuim nooit in elkaar om meer schuim te kunnen plaatsen. Droog schuim moet losjes worden toegevoegd en mag niet boven het filterbakje uitkomen (Afb. 22). Als u te veel schuim toevoegt, is het moeilijker het filter te reinigen.

7.3.9 Zorg dat u de afdichting (Afb. 2(l)) bovenaan het filterbakje op de juiste positie plaatst en dat deze vrij is van vuil en aanrooksel. Eventueel kunt u een dunne laag siliconenvet aanbrengen op de afdichting om het plaatsen gemakkelijker te maken. Plaats het deksel terug. Schuif de centrale zwarte buis die de UV-lamp afdekt naar beneden door de centrale opening.

7.3.10 Breng de klem van het deksel weer aan. Zorg dat er geen water onder de afsluitring zit, en houd de afsluitbeugel altijd ingevet met een smeermiddel op oliebasis.

7.3.11 Draai de omléidingsklep terug in de vijverstand en breng de reinigingshendel terug in de rustpositie.

7.3.12 Start nu de pomp en controleer of er geen lekkage is. Schakel daarna de UV-lamp in. Controleer of een blauwige gloed op de UV-indicatorlens valt.

Opslag in de winter

8.1 Bij koud winterweer, als de vissen niet actief zijn en de algengroei stopt, kan de pomp worden uitgeschakeld. Hij moet dan worden verwijderd, grondig worden gespoeld, gereinigd en gedroogd en worden bewaard op een droge, vorstvrije plaats. Plaats tijdens opslag het deksel niet op de pompeenheid, zodat de pompeenheid voldoende wordt geventileerd en gedroogd.

Problemen oplossen / Veel gestelde vragen

Probleem	Mogelijke oorzaak	Oplossing
Er stroomt geen water door het filter naar de vijver.	De aanvoerpomp is niet ingeschakeld of werkt niet.	Controleer of de pomp werkt en schakel hem in.
	De aanvoerslang is verstopt.	Controleer de aanvoerslang en de retour slang vanuit de vijver op verstoppingen.
	De omléidingsklep staat op "Afwal"	Zet de omléidingsklep op "Vijver".
Er is slechts een beperkte stroming door het filter	Het schuim is verstopt.	Reinig het filter (Zie "Reiniging").
	De aanvoerslang is verstopt.	Controleer de aanvoerslang en de retour slang vanuit de vijver op verstoppingen.

Probleem	Mogelijke oorzaak	Oplossing
Het water wordt niet helder	Het nieuwe filter is nog niet gerijpt.	Het water in de vijver moet binnen 2 tot 3 weken helderder worden, maar voor volledige biologische rijping kan 6 tot 8 weken duren voordat het filter volledig effectief is.
	U gebruikt een filter van een formaat dat niet geschikt is voor uw vijver.	Controleer of u het juiste filter gebruikt voor uw vijver.
	Verkeerde maat aanvoerpomp.	Controleer de doorstromingssnelheid. Zie 2.2.
	De UV-lamp is doorgebrand.	Controleer de UV-indicatorlens. Vervang de UV-lamp.
	Oude UV-lamp.	Vervang de UV-lamp iedere 12 maanden.
	Het schuim moet gereinigd worden.	Reinig het filter (Zie "Reiniging").
	De uitlaat van de retourslang van de vijver is boven de toevoerpomp geplaatst.	Verplaats de pomp of de uitlaat van de retourslang van de vijver zodat ze zo ver mogelijk uit elkaar staan.
	Er zit te veel vis in de vijver.	Zorg dat er minder vissen in de vijver zwemmen.
	Overvoeren	Geef de vissen slechts zoveel voer als ze in een paar minuten kunnen opeten. Voer de vissen slechts eenmaal per dag.
De reinigingshendel draait niet.	De pomp loopt als met schoonmaken wordt begonnen. Schakel de pomp uit. Draai de hendel een paar keer in beide richtingen. Schakel uw pomp in (Zie "Reiniging").	

Hozelock Cyprio Clearwater-garantie

WIJ GARANDEREN HELDER WATER OF UW GELD TERUG voor een Hozelock Cyprio Bioforce Revolution als deze met de juiste pomp wordt gebruikt. Deze garantie geldt gedurende 12 maanden na aanschaf, mits:

- de installatie- en bedieningsvoorschriften zijn opgevolgd.
- apparatuur is gebruikt met de juiste afmetingen, overeenkomstig de filterkeuzetabel;
- u in een voldoende vroeg stadium contact opneemt met onze helpdesk (0121 313 1122) om de problemen op te laten lossen;
- het product onbeschadigd is getourneerd.

Een eventuele vergoeding kan uitsluitend door Hozelock Cyprio worden goedgekeurd en de aankoop prijs wordt alleen vergoed door de oorspronkelijke verkoper. NB: vertroebeling van het water als gevolg van draadalgenvaalt niet onder de Clearwater-garantie, in tegenstelling tot vertroebeling van het water door groene algen.

Hozelock Cyprio 2 jaar garantie

Als deze Bioforce Revolution (met uitzondering van de lamp) binnen 2 jaar na aankoop onbruikbaar wordt, wordt hij onder onze voorwaarden en op onze kosten hersteld of vervangen, tenzij wij van mening zijn dat de apparatuur is beschadigd. Wij aanvaarden geen verantwoordelijkheid voor schade ontstaan als gevolg van ongevallen, onjuiste installatie of onjuist gebruik. Onze verantwoordelijkheid is beperkt tot vervanging van de defecte eenheid. Deze garantie is niet overdraagbaar. Deze garantie beïnvloedt niet uw statutaire rechten. Om gebruik te maken van deze garantie, dient u contact op te nemen met Hozelock Cyprio Consumentenafdeling (0121 313 1122). Zij kunnen u vragen het apparaat met bewijs van aankoop op te sturen naar het adres hieronder.

Contact / Onderdelen

www.hozelock.com

Technische informatie

Onderdeelnr.	1352	1353	1354
Reeks	Bioforce Revolution		
Volts (V)	230V 50Hz		
UV-C-vermogen (W)	18	24	36
Maximum vijvermaat met vis	6000 liter	9000 liter	14000 liter
Maximum vijvermaat zonder vis	12000 liter	18000 liter	28000 liter
Maximale maat Hozelock Cyprio Aquaforce-pomp (l/u)	4000	6000	8000
Maximum doorstroming, QMax, (l/u)	3000	4500	7000
IP-rating	IP57	IP57	IP57
Maximale watertemperatuur, Tmax,, (°C)	35°C	35°C	35°C
Bioforce Revolution Reinigingssysteem	✓	✓	✓
* Gemeten onder gecontroleerde omstandigheden			



Doe elektrische apparaten niet bij het huishoudelijk afval, maak gebruik van aparte inzamelingsfaciliteiten. Neem contact op met uw lokale autoriteiten voor informatie over de verschillende inzamelingsmogelijkheden. Als elektrische apparaten terecht komen op een vuilstortplaats, kunnen gevaarlijk stoffen in het grondwater lekken en in de voedselketen terecht komen, met alle daaraan verbonden gezondheidsgevolgen. Binnen de EU is de verkoper wettelijk verplicht uw oude apparaten terug te nemen als u een vervangend apparaat aanschaft. Aan deze dienst mogen geen kosten worden verbonden.

- Compatto ed efficace
- Semplice da installare.
- Facile da pulire, semplicità di manutenzione.
- Posizionabile praticamente in qualsiasi punto.

Utilizzato con la pompa per laghetti appropriata, consentirà di ottimizzare la limpidezza dell'acqua, eliminare i materiali solidi in eccesso e convertire detriti organici e chimici dei pesci in composti innocui.

Attenzione: Avvertenza raggi UV

Questo apparecchio è dotato di un emettitore UV-C. L'uso dell'apparecchio per scopi diversi da quanto preposto o il danneggiamento dell'involucro, potrebbero implicare l'emissione di radiazioni UV-C pericolose. Le radiazioni UV-C, anche se a dosaggi ridotti, possono essere dannosi per la vista e la pelle. La lampada è dotata di un interblocco che spegnerà la lampada in caso di apertura della cassetta elettrica.

Quando la lampada è accesa, è possibile verificarne il funzionamento osservando dalla lente dell'indicatore UV la presenza di un bagliore bluastro. Non utilizzare il prodotto a secco.

Avvertenza: non tentare di utilizzare l'emettitore UV-C quando rimosso dalla carcassa dell'apparecchio.

Importante

L'apparecchio non è inteso per l'utilizzo da parte di persone (bambini inclusi) con disabilità fisiche, sensoriali o mentali, o prive di esperienza e conoscenza, tranne nel caso in cui tali persone siano supervisionate o abbiano ricevuto le istruzioni necessarie per l'utilizzo dell'apparecchio, da parte di un responsabile della loro sicurezza. I bambini dovranno essere sempre supervisionati, per accertarsi che non giochino con l'apparecchio. Non utilizzare l'apparecchio, qualora risulti evidentemente danneggiato.

Avvertenza: Sicurezza e allacciamenti elettrici

- 1.1 AVVERTENZA: PRIMA DI IMMERGERE LE MANI NELL'ACQUA DURANTE L'INSTALLAZIONE, LA RIPARAZIONE, LA MANUTENZIONE O IL TRASPORTO, SI RACCOMANDA DI ESTRARRE SEMPRE LA SPINA O DISATTIVARE L'ALIMENTAZIONE ELETTRICA DI TUTTI GLI APPARECCHI NEL LAGHETTO.**
- 1.2 Questo filtro è stato progettato per l'utilizzo esclusivo in laghetti artificiali. Non utilizzarlo per altri scopi (ad es., non utilizzarlo nelle piscine, ecc.). L'utilizzo del prodotto per qualsiasi applicazione non prevista, può comportare il rischio di infortuni o danni alle apparecchiature.
- 1.3 Non azionare apparecchi che risultino evidentemente danneggiati.
- 1.4 Il tubo trasparente all'interno dell'apparecchio è realizzato in vetro al quarzo. Si raccomanda quindi di eseguirne l'installazione e la manutenzione con cautela. Si raccomanda di indossare una protezione oculare e dei guanti appropriati.
- 1.5 Il filtro Bioforce Revolution è impermeabile all'acqua, ma non può essere sommerso. Posizionare l'unità in verticale, in prossimità del laghetto, in un punto in cui non possa cadere in acqua e non su terreni

I

Desidero ringraziarla per aver acquistato un prodotto Hozelock, che le garantirà un funzionamento in tutta sicurezza.

- a** Cassetta parti elettriche.
- b** Gruppo coperchio.
- c** Lente indicatore lampada a ultravioletti.
- d** Manopola leva pulizia.
- e** Leva pulizia.
- f** Valvola deviatrice.
- g** Nottolini pulizia (gialli).
- h** Schermatura raggi ultravioletti.
- i** Contenitore schiuma.
- j** Schiuma Cypricube.
- k** Mezzi biologici.
- l** Guarnizione toroidale del recipiente.
- m** Contenitore filtro.
- n** Morsetto coperchio.
- o** Imbuto biologico.
- p** Resca e dado.
- q** Leva.

ISTRUZIONI PER L'INSTALLAZIONE E L'UTILIZZO.



PRIMA DI PROCEDERE ALL'INSTALLAZIONE, SI RACCOMANDA DI LEGGERE ACCURATAMENTE LE PRESENTI ISTRUZIONI.

LA MANCATA OSSERVANZA DI QUANTO DI SEGUITO RIPORTATO PUÒ COMPORTARE IL RISCHIO DI INFORTUNI, DANNI ALLE APPARECCHIATURE O PERDITA DI PESCI.

CONSERVARE LE PRESENTI ISTRUZIONI PER EVENTUALI UTILIZZI FUTURI.

Bioforce Revolution di Hozelock Cyprio è un concetto innovativo nella filtrazione dell'acqua di laghetti artificiali.

Caratteristiche:

che potrebbero diventare saturi d'acqua (vedere il paragrafo "Installazione").

- 1.6 Importante:** Questo prodotto viene fornito completo di cavo elettrico a 3 conduttori, da 5 metri. La spina fornita in dotazione al prodotto non è impermeabile e deve essere collegata all'alimentazione, all'interno di una protezione impermeabile, in conformità alle normative locali.
- 1.7 AVVERTENZA:** questo apparecchio DEVE essere collegato a massa ed è essenziale che gli allacciamenti siano effettuati osservando il seguente codice:
- MARRONE - in tensione
 - BLU - neutro
 - VERDE/GIALLO - terra.
- 1.8** Il cavo esposto deve essere posizionato con criterio e protetto mediante un condotto corazzato, specialmente qualora sussista il rischio di contatto con attrezzi da giardinaggio, quali forche e tosaerba, o con bambini e animali domestici.
- 1.9** È ESSENZIALE installare un dispositivo di corrente residua (Residual Current Device, RCD) da 30 mA max. nel sistema d'alimentazione di rete.
- 1.10** Le installazioni permanenti all'alimentazione elettrica (cablaggio) devono essere conformi alle normative nazionali e locali sui cablaggi. In caso di dubbi sul cablaggio all'alimentazione elettrica, si raccomanda di contattare un elettricista qualificato o una società elettrica locale.
- 1.11** Non utilizzare il cavo d'alimentazione o la leva per la pulizia per sollevare o spostare il filtro, poiché ciò potrebbe comportare il rischio di danni. Qualora sia necessario spostare il filtro, prima di procedere, si raccomanda di disattivarlo e di scaricare l'acqua. Sollevare quindi il prodotto afferrando l'area in cui il coperchio è agganciato al recipiente principale.
- 1.12** Non sedersi nè appoggiarsi mai alla leva per la pulizia (Fig. 4).
- 1.13** Non sollevare mai il filtro utilizzando la leva per la pulizia. Trasportare sempre l'apparecchio con due mani, afferrando saldamente il bordo del coperchio (Fig. 5).
- 1.14** Non azionare il filtro a secco.
- 1.15** Non bloccare le aperture quando il filtro è in funzione.
- 1.16** Non azionare l'apparecchio in presenza di cavo d'alimentazione danneggiato. Il cavo di alimentazione non è sostituibile. In presenza di cavo danneggiato, eliminare la cassetta elettrica in conformità alle normative locali.
- 1.17** Qualora non debba essere utilizzato per tutto l'anno, proteggere l'apparecchio dal gelo. (Fare riferimento al paragrafo "Conservazione invernale").
- 1.18** Proteggere il filtro dalla luce solare diretta.
- 1.19** Questo apparecchio non è utilizzabile a temperature dell'acqua superiori a 35°C o inferiori a 0°C.
- 1.20** Utilizzare esclusivamente accessori progettati per l'uso con questo prodotto. L'uso di accessori o parti di ricambio diversi potrebbe invalidare la garanzia.

Guida generale

- 2.1** Sul verso della tabella delle informazioni tecniche è riportata una guida generale sulle specifiche del filtro e della pompa raccomandata. Tuttavia, a garanzia di risultati ottimali, è importante tenere in considerazione diversi altri fattori che riducono le capacità funzionali del filtro.
- **Profondità del laghetto:** Hozelock Cyprio raccomanda una profondità minima di 1,2 m (4') per laghetti Koi. In caso di laghetti con profondità media inferiore a 0,75 m (2' 6"), il fattore di condizione è pari a + 25%. Nei laghetti poco profondi vi è una totale infiltrazione della luce solare, che li riscalda rapidamente. Quanto sopra favorisce la crescita delle alghe.
 - **Ubicazione:** l'ubicazione del laghetto determina la quantità quotidiana di luce solare o di ombra ricevuta dal laghetto. Il fattore di condizione dei laghetti totalmente esposti alla luce solare per tutta la giornata è pari a +25%.
 - **Clima:** il clima influenza la temperatura dell'acqua e i requisiti di alimentazione/tasso di attività dei pesci. Maggiore è l'attività dei pesci, maggiore sarà la necessità di utilizzo del sistema di filtrazione. In luoghi a clima caldo (ad es., in Sud Africa), il fattore di condizione è pari a +35%, mentre in luoghi a clima temperato (ad es., in Sud Europa), il fattore di condizione è +15%. Nei Paesi del Nord Europa (ad es. nelle principali aree della Gran Bretagna), il fattore di condizione è +0%.
 - **ESEMPIO:** Disponete di un laghetto con pesci rossi, 2.200 litri, profondità 0,75 m (fattore di condizione +25%). Vivete a Londra - dove è presente il clima del Nord Europa (fattore di condizione +0%). Il laghetto è completamente esposto alla luce solare (+25%). Il volume effettivo del laghetto è quindi aumentato del 50% (25% + 25%) ed è quindi necessario dimensionare la propria apparecchiatura come se lo stagno dovesse contenere 3.300 litri.
- 2.2 Portata:** A garanzia di risultati ottimali, il volume del laghetto dovrà passare attraverso Bioforce Revolution ogni 1½ - 2½ ore; per i laghetti Koi si raccomanda la velocità di flusso più rapida. Non superare la velocità di flusso massima, così come riportata sul verso della tabella delle informazioni tecniche. Una velocità di flusso corretta è essenziale per ottenere acque trasparenti. Qualora l'impianto non sia soggetto a perdite eccessive (ad es., tubi flessibili lunghi), potrebbe rendersi necessario regolare il flusso fino a raggiungere una velocità di rinnovo acqua di 1½ - 2½ ore, utilizzando un rubinetto per flessibili, per il controllo del flusso.
- Tubi flessibili con diametro ridotto, tubi flessibili eccessivamente lunghi e un elevatore di pompaggio ("testa") massimo, sono tutti elementi che possono ridurre notevolmente la portata di una pompa. Si raccomanda di selezionare una pompa che garantisca la portata richiesta a fronte di risalita statica completa (= distanza verticale tra la superficie del laghetto e l'ingresso del filtro), più 0,6 m (2 piedi) per perdite di carico per attrito nei tubi flessibili.
- Obiettivo della filtrazione è quello di trasferire i detriti dal laghetto al filtro. Pertanto, qualsiasi pompa utilizzata quale parte del pacchetto, dovrà essere

in grado di trattare materiali solidi, ad esempio, la gamma di pompe Aquaforce di HozeLOCK Cyprio, che sono state appositamente progettate per laghetti aventi dimensioni trattabili con Bioforce Revolution. Per ottenere una circolazione ottimale dell'acqua nel laghetto e ottimizzare la capacità di trattamento materiali solidi della pompa, questa dovrà essere posizionata nel punto più profondo del laghetto. Installare la pompa su una piattaforma in piano, sollevata di 300 mm dal fondo del laghetto. Ciò impedirà alla pompa di aspirare particelle di sporco direttamente dal fondo del laghetto, garantendo inoltre che nel laghetto rimanga una quantità d'acqua sufficiente, in caso di fuoriuscita involontaria di acqua dal laghetto.

Modalità di verifica della velocità di flusso:

Predisporre un contenitore di volume noto e calcolare il tempo necessario affinché si riempia (in secondi). Dividere 3.600 per il numero di secondi necessari per il riempimento del contenitore, quindi moltiplicare per il volume (litri o galloni) del contenitore. Il risultato corrisponderà alla velocità di flusso in litri o galloni per ora (lph o gph).

2.3 Densità e tasso di popolamento dei pesci: In condizioni e regime di alimentazione normali, i filtri della gamma Bioforce Revolution saranno in grado di trattare fino a 50 cm per 1.000 litri (10" di pesci per 100 galloni) di capacità del laghetto. Nelle prime settimane, immettere lentamente i pesci fino al 20% del livello massimo raccomandato, fino a raggiungere il 50% dopo sei mesi. La capacità residua sarà compensata dalla crescita dei pesci.

2.4 Trattamenti del laghetto: Alcuni rimedi/trattamenti possono essere rapidamente degradati dalle radiazioni UV. Durante l'applicazione di trattamenti curativi, si consiglia di disattivare il filtro. La filtrazione meccanica e biologica continuerà a rimanere attiva.

Qualora il laghetto sia trattato per la presenza di alghe coprenti, disattivare la pompa e il filtro per tutta la durata del trattamento, fino a totale rimozione dell'alga coprente trattata dal laghetto.

2.5 Si raccomanda la massima attenzione ai raccordi dei tubi flessibili poiché eventuali perdite potrebbero implicare la riduzione di acqua del laghetto.

Installazione

3.1 Importante: Con la gamma di filtri Bioforce Revolution, non utilizzare pompe di portata superiore a 8000 lph o testa massima superiore a 5 m.

3.2 Importante: Installare i filtri Bioforce Revolution solamente in posizione verticale (Fig. 6).

3.3 I filtri Bioforce Revolution sono unità UVC con filtro esterno pressurizzato, alimentati a pompa, adatti per l'utilizzo in impianti sopra il terreno (Fig. 7) o nel terreno (Fig. 8), adiacenti al laghetto o celati nella parte superiore di una cascata.

Qualora si decida di installare il filtro sopra il terreno, si raccomanda di posizionarlo su una superficie piana.

Qualora si decida di interrare parzialmente il filtro, il relativo scavo dovrà essere saldamente riempito a ridosso con sabbia compattata, per supportare l'unità. Qualora si scelga questo tipo d'installazione, si raccomanda di prevedere una distanza minima di 50

mm dal morsetto al livello del terreno, a garanzia di semplicità di rimozione per la manutenzione annuale.

3.4 L'utilizzo di tubi flessibili con diametro interno ridotto, implicherà una restrizione eccessiva del flusso d'acqua. Maggiore sarà il diametro dei tubi flessibili utilizzati, migliori saranno le performance del filtro, in particolare in caso di tubi flessibili lunghi. Le resche fornite in dotazione a questa unità sono adatte per tubi flessibili Cypriflex da 25 mm (1"), 32 mm (1 1/4") e 40 mm (1 1/2"). Si raccomanda sempre, per quanto riguarda i filtri Bioforce Revolution, di utilizzare tubi flessibili con diametro di 40 mm, in modo da evitare la restrizione del flusso d'acqua.

Dopo aver selezionato il diametro del tubo flessibile da utilizzare e al fine di eliminare il rischio di restrizione, tagliare le nicchie della resca di dimensioni inferiori al diametro del tubo flessibile (Fig. 9).

A garanzia di una circolazione dell'acqua ottimale, la pompa d'alimentazione del filtro e l'uscita del tubo flessibile di ritorno del laghetto devono essere posizionate quanto più lontano possibile. Durante l'acquisto, si raccomanda quindi di misurare e tagliare il flessibile Cypriflex.

Collegare un tubo flessibile di lunghezza appropriata tra la pompa d'alimentazione e l'ingresso del filtro (Fig. 10 (i)), fissandolo alle resche con delle fascette HozeLOCK Cyprio, disponibili separatamente. Collegare quindi i flessibili di lunghezza appropriata all'uscita del filtro (Fig. 10 (ii)), procedendo allo stesso modo. Per maggiori dettagli sull'uscita dei dritti (Fig. 10 (iii)), fare riferimento al paragrafo "Pulizia".

Posizionare la pompa in un punto appropriato del laghetto e l'estremità del flessibile di uscita in modo che l'acqua filtrata ritorni verso il laghetto.

Durante la posa dei flessibili, prestare attenzione a evitare la formazione di ingobbature e pieghe a gomito. Mantenere i flessibili quanto più corti possibile, per ridurre il rischio di restrizione del flusso.

3.5 Verificare che la manopola d'avvolgimento sia posizionata sulla cassetta elettrica. Afferrare la manopola della leva d'avvolgimento e il coperchio forniti in dotazione, collegarli alla leva per la pulizia, ubicandoli sulla leva stessa e facendoli scattare in posizione (Fig. 11).

Il filtro è ora pronto per l'utilizzo.

Funzionamento

4.1 Verificare che la valvola deviatrice sia ruotata verso l'uscita del laghetto (Fig. 12).

4.2 Collegare il cavo d'alimentazione del filtro (vedere paragrafo 1 – Sicurezza e allacciamenti elettrici). La lampada UVC si accenderà. È possibile verificare il funzionamento della lampada osservando dalla lente dell'indicatore della lampada UV, nella cassetta superiore, la presenza di un bagliore blu (Fig. 1 (c)).

4.3 Attivare la pompa.

4.4 Periodi di funzionamento: Il filtro deve funzionare 24 ore/giorno. Idealmente, dovrebbe funzionare nel corso di tutto l'anno, ma senza dubbio per tutta la stagione d'alimentazione (cioè finché la temperatura dell'acqua scende a livelli inferiori a 10°C). Nella stagione invernale, azionando la pompa e il filtro, si manterrà

un livello base di batteri utili nel Bioforce, evitando quindi il congelamento del laghetto. Qualora la pompa sia disattivata nella stagione invernale, si raccomanda di lavare accuratamente il filtro prima di ripristinare la filtrazione in primavera (vedere il paragrafo "Conservazione invernale", 11.0). Non alimentare mai i pesci quando il filtro non è in funzione.

Maturazione

- 5.1 La maturazione biologica avviene quando nel filtro si è accumulata una quantità sufficiente di batteri nitrificanti, tale da convertire pesci e altri detriti organici dannosi (ad es., ammoniaca e nitriti) in nitrato, relativamente innocuo. Il processo dura normalmente 6-8 settimane, ma ciò dipende da molti fattori, quali la temperatura dell'acqua, il tasso di alimentazione e il popolamento di pesci. Accelerare la maturazione aggiungendo un agente di maturazione, ad es. Hozelock Cyprio Filter Start.

Pulizia

Quando pulire Bioforce Revolution.

I filtri Bioforce Revolution offrono il massimo rendimento con la minima necessità di manutenzione. Se il laghetto è molto sporco, potrebbe essere necessario pulire il filtro inizialmente ogni 2-3 giorni, poiché trattiene i rifiuti molto rapidamente. Quando il laghetto diventa più pulito, la quantità di detriti sarà minore e pertanto il filtro dovrà essere pulito meno frequentemente. I filtri pressurizzati offrono la macchina efficienza quando la schiuma si blocca parzialmente. Tuttavia, se questo blocco s'intensifica, il flusso d'acqua che può attraversare la schiuma si riduce, con conseguente necessità di un intervento di pulizia.

- 6.1 Disattivare l'alimentazione elettrica della pompa.
- 6.2 Collegare un tubo flessibile di lunghezza appropriata all'uscita dei detriti (Fig. 10(iii)), utilizzando la resca fornita in dotazione e una fascetta. L'estremità del tubo flessibile dei detriti può essere posizionata sopra uno scarico o una aiuola di fiori. L'acqua reflua è un eccellente fertilizzante.
- 6.3 Ruotare la leva più volte. Si raccomanda di ruotarla più volte sia in senso orario, sia antiorario (Fig. 13). Ruotando la leva, le pale di pulizia gialle (Fig. 2 (g)) ruoteranno, rompendo e schiacciando ogni cubo di schiuma, con conseguente eliminazione di qualsiasi detrito raccolto.
- 6.4 Ruotare la valvola deviatrice in posizione di scarico (Fig. 14). Si udirà un "clic".
- 6.5 Attivare la pompa.
- 6.6 Continuare a ruotare la leva (completare i giri in entrambe le direzioni). Inizialmente, l'acqua reflua avrà un colore grigio scuro o marrone, in base all'installazione del laghetto.

Dopo un breve periodo, il colore dell'acqua reflua diventerà più tenue, e l'acqua inizierà a diventare trasparente. A questo punto, riposizionare la leva nella posizione di "stivaggio", sopra la cassetta principale (Fig. 15).

Attendere 5 secondi la fuoriuscita degli ultimi residui, quindi ruotare nuovamente la valvola deviatrice verso il laghetto.

AVVERTENZA: Lasciando la valvola nella posizione

di scarico, si svuoterà il laghetto. Accertarsi di riposizionarla all'uscita del laghetto.

- 6.7 Il tempo necessario per la pulizia del filtro dipende da diversi fattori. Tuttavia, maggiore sarà la frequenza di pulizia del filtro, minore sarà l'intervallo di pulizia richiesto. Normalmente, per completare la pulizia sono necessari alcuni minuti.

Sarà saltuariamente necessario rabboccare l'acqua del laghetto, in modo da sostituire l'acqua reflua rimossa durante la fase di pulizia. Sostituzioni parziali dell'acqua sono un aspetto importante per mantenere il sistema idrico del laghetto in buone condizioni.

Manutenzione

Avvertenza: Prima di aprire l'apparecchio, leggere le presenti istruzioni per la manutenzione.

Avvertenza: Non tentare di rimuovere il coperchio o la cassetta elettrica mentre si utilizzano la pompa e il filtro. Nel morsetto del coperchio, è presente una scanalatura per il lucchetto, atto a prevenire il rischio di apertura involontaria. Si raccomanda di utilizzarlo in presenza di bambini.

- 7.1 **Sostituzione della lampada UV:**
Avvertenza: Prima di scollegare l'emettitore UV-C, disattivare l'alimentazione dell'apparecchio.
L'efficienza della lampada UV si riduce notevolmente nel tempo. Si raccomanda quindi di sostituirla ogni 12 mesi, anche qualora funzioni ancora.
- 7.1.1 Disattivare l'alimentazione della pompa d'alimentazione e del filtro.
- 7.1.2 Ruotare la valvola deviatrice in posizione di scarico. In questo modo, la pressione interna sarà pari alla pressione atmosferica, con conseguente facilità di rimozione della cassetta elettrica, senza necessità di avvicinare l'acqua alla parte superiore del coperchio.
- 7.1.3 Ruotare di mezzo giro la leva per la pulizia in modo che sia lontana dalla cassetta elettrica (Fig. 16 (i)).
- 7.1.4 Utilizzando un cacciavite, rimuovere le 5 viti che fissano la cassetta elettrica al coperchio. (Fig. 16 (ii)). Durante la sostituzione della lampada, le viti possono essere conservate nella tasca presente tra l'ingresso e l'uscita del filtro (Fig. 16 (iii)).
- 7.1.5 Afferrare la cassetta elettrica e rimuoverla tirandola delicatamente verso l'alto. Capovolgere la cassetta e posizionarla su una superficie piana e asciutta.
- 7.1.6 Fig. 17. Allentare il collare di bloccaggio del tubo al quarzo (i). Afferrare con cautela il tubo al quarzo (ii), sollevarlo e rimuoverlo unitamente agli anelli O'ring (iii) e al collare di bloccaggio.
- 7.1.7 Rimuovere la lampada usata estraendola delicatamente dal relativo supporto, quindi rimuovere il tappo di protezione nero dall'estremità della lampada (Fig. 17 (iv)) e rimuovere la piastra riflettente (Fig. 17 (v)). Smettere la lampada usata in conformità alle normative locali. Inserire la nuova lampada.
- 7.1.8 Reinscrivere la piastra riflettente e premere il tappo nero sull'estremità della lampada.
- 7.1.9 Far scorrere il tubo di quarzo verso il basso sulla lampada. Verificare che i due anelli O'ring alla base del tubo di quarzo siano puliti e privi di detriti.
- 7.1.10 Far scorrere il collare di bloccaggio verso il basso,

sul tubo di quarzo, e avvertirlo. Serrare la vite finché l'arresto del collare di bloccaggio entri in contatto con l'arresto della cassetta, in modo che il collare non possa essere più allentato.

- 7.1.11 Reinserrare la cassetta elettrica. La cassetta può essere inserita solamente in una posizione. Evitare di forzare l'inserimento. Una volta in posizione, reinserire le 5 viti. Serrare completamente le viti per garantire l'attivazione dell'interruttore d'interblocco.
- 7.1.12 Ruotare la valvola deviatrice verso il laghetto e posizionare la leva per la pulizia in posizione di "stivaggio".
- 7.1.13 Riavviare la pompa verificando che non vi siano perdite, quindi accendere la lampada UV. Verificare la presenza del bagliore bluastro dalla lente dell'indicatore UV.

7.2 Manutenzione del tubo al quarzo UV:

In particolare in aree con presenza di acqua dura, il tubo al quarzo che protegge la lampada UV potrebbe incrostarsi di calcare, riducendo l'efficienza dell'unità, se i depositi non vengono eliminati. Per seguire la pulizia, disattivare la pompa e l'alimentazione elettrica dell'unità UV, rimuovere la cassetta elettrica, procedendo come descritto al punto 7.1, e pulire il tubo al quarzo con un panno morbido inumidito con un detergente delicato, ad es. aceto (vedere Fig. 18). Durante la pulizia del tubo al quarzo, si raccomanda di indossare degli indumenti di protezione, quali guanti e occhiali di sicurezza.

7.3 Sostituzione della schiuma Cypricube:

Ispezionare la schiuma a cadenza annuale. La frequenza di sostituzione della schiuma dipenderà dall'installazione del laghetto. Si raccomanda di sostituire la schiuma durante la stagione invernale e prima di iniziare ad alimentare nuovamente i pesci all'inizio della stagione primaverile*. Sostituendo la schiuma in altri periodi dell'anno, la struttura chimica del laghetto potrebbe subire delle modifiche, con conseguente pericolo per i pesci.

*Poiché, in autunno, l'acqua del laghetto si raffredda, i pesci iniziano a rallentare, in preparazione di un periodo di semi-letargo. Il loro apparato digerente e il sistema immunitario rallentano e i pesci non sono in grado di digerire gli stessi tipi di alimenti assunti durante i mesi più caldi. Se affamati, si nutriranno con alimenti più semplici, così come presenti naturalmente nell'ambiente del laghetto. Pertanto, quando la temperatura dell'acqua del laghetto scende a livelli inferiori a 10°C per un periodo prolungato, interrompere l'alimentazione dei pesci. Quando il clima diventa più mite, all'inizio della primavera, e i pesci iniziano a diventare più attivi, si potrà ricominciare ad alimentarli gradualmente.

- 7.3.1 Disattivare l'alimentazione della pompa d'alimentazione e del filtro.
- 7.3.2 Ruotare la valvola deviatrice in posizione di scarico. In questo modo, la pressione interna sarà pari alla pressione atmosferica, con conseguente semplicità di rimozione del coperchio.
- 7.3.3 Sganciare il morsetto del coperchio (Fig. 2(n)). Rilasciare e rimuovere delicatamente il coperchio, agendo sulle due leve in scanalature opposte (Fig. 19). Rimuovendo i flessibili collegati, l'operazione risulterà

più semplice.

- 7.3.4 Sollevare e rimuovere il recipiente della schiuma (Fig. 2(i)) ed eliminare la schiuma usata. Svuotare l'acqua dal contenitore dei filtri, raccogliendo il mezzo biologico in una rete. Il mezzo biologico non richiede alcuna manutenzione.
- 7.3.5 Qualora il fondo del contenitore sia ricoperto da uno strato di fango, risciacquarlo con l'acqua del laghetto.
- 7.3.6 Riposizionare il mezzo biologico attorno all'imbuto biologico (Fig. 2(o)), sul fondo del contenitore. All'interno dell'imbuto biologico non deve rimanere alcun mezzo biologico (Fig. 20).
- 7.3.7 Posizionare il recipiente della schiuma nel contenitore. Ruotare il recipiente della schiuma finché i piccoli triangoli nella parte superiore dello stesso siano allineati a una delle linee verticali all'interno del contenitore del filtro (Fig. 21). Il recipiente della schiuma si bloccherà in posizione. **Verificare il corretto posizionamento del recipiente della schiuma, in modo da consentire un facile posizionamento del coperchio.**
- 7.3.8 Riempire il recipiente della schiuma con la quantità di schiuma Cypricube di ricambio raccomandata. Non preoccuparsi se i nuovi cubi di schiuma a secco occupano più spazio del previsto. Verificare che la schiuma non cada dal foro centrale nell'area dell'imbuto biologico.

Non premere mai la schiuma per aumentare la quantità inserita. La schiuma a secco dovrà essere aggiunta delicatamente, evitando che superi l'altezza del contenitore del filtro (Fig. 22). L'aggiunta di una quantità di schiuma eccessiva renderà difficoltosa la pulizia del filtro.

- 7.3.9 Verificare che la tenuta (Fig. 2(l)) sulla parte superiore del contenitore del filtro sia correttamente posizionata e priva di sporcizia e detriti. Se necessario per favorire l'assemblaggio, applicare un leggero strato di grasso al silicone sulla tenuta. Reinserrare il coperchio. Far scorrere il tubo nero centrale che ricopre la lampada UV verso il basso, attraverso il foro centrale.
- 7.3.10 Reinserrare il morsetto del coperchio. Verificare che sotto il morsetto non vi siano accumuli d'acqua e mantenere lubrificata la leva incernierata, applicando un lubrificante a base d'olio.
- 7.3.11 Ruotare la valvola deviatrice verso il laghetto e posizionare la leva per la pulizia in posizione di "stivaggio".
- 7.3.12 Riattivare la pompa, verificando che non vi siano perdite. Accendere la lampada UV. Dalla lente dell'indicatore UV, verificare la presenza del bagliore bluastro.

Conservazione invernale

- 8.1 Nella stagione invernale (quando i pesci non sono attivi e la crescita delle alghe si interrompe) è possibile spegnere l'unità. L'unità deve essere rimossa, lavata a fondo, pulita, asciugata e conservata in un luogo asciutto e al riparo dal gelo. Riporre sempre l'unità con il coperchio aperto, per garantire una ventilazione e un'asciugatura appropriate.

Localizzazione guasti/Domande frequenti (FAQ) questions

Problema	Causa probabile	Azione correttiva
Nessun flusso d'acqua dal filtro al laghetto.	Pompa d'alimentazione non attivata o non funzionante.	Verificare che la pompa funzioni e sia attivata.
	Flessibile d'alimentazione bloccato.	Verificare che non vi siano ostruzioni a livello dei flessibili d'alimentazione e di ritorno al laghetto.
	Valvola deviatrice impostata su "Waste" (Scarico)	Ruotare la valvola deviatrice su "Pond" (Laghetto)
Flusso ridotto attraverso il filtro	Schiama bloccata.	Pulire il filtro (vedere il paragrafo "Pulizia").
	Flessibile d'alimentazione bloccato.	Verificare che non vi siano ostruzioni a livello dei flessibili d'alimentazione e di ritorno al laghetto.

Problema	Causa probabile	Azione correttiva
Acqua non trasparente	Il nuovo filtro non è ancora a livello di maturazione.	La trasparenza dell'acqua del laghetto inizierà a migliorare entro 2-3 settimane, ma la maturazione biologica completa, a garanzia di totale efficacia del filtro, sarà completata entro circa 6-8 settimane.
	Filtro di dimensioni non appropriate per il laghetto.	Accertarsi che il filtro sia appropriato per la struttura del laghetto.
	Pompa di alimentazione di dimensioni non adeguate.	Verificare la portata. Vedere il punto 2.2.
	Lampada UV bruciata.	Verificare la lente dell'indicatore UV. Sostituire la lampada UV.
	Lampada UV usurata.	Sostituire la lampada UV ogni 12 mesi.
	Necessità di pulizia delle schiume espanse.	Pulire il filtro (vedere il paragrafo "Pulizia").
	L'uscita del flessibile di ritorno del laghetto è ubicata sopra la pompa d'alimentazione.	Spostare la pompa o l'uscita del flessibile di ritorno del laghetto, in modo da distanziarle quanto più possibile.
	Eccessivo popolamento di pesci nel laghetto.	Ridurre la quantità di pesci nel laghetto.
	Alimentazione pesci eccessiva.	Alimentare i pesci solamente con una quantità consumabile in alcuni minuti. Provvedere all'alimentazione una sola volta al giorno.
	La leva per la pulizia non ruota.	La pompa si attiva all'inizio della fase di pulizia.

Garanzia Clearwater di Hozelock Cyprio

ACQUA PULITA O RIMBORSATI. Questa garanzia copre il filtro Bioforce Revolution Hozelock Cyprio quanto utilizzato con la pompa appropriata. La garanzia è valida 12 mesi della data d'acquisto, premesso che:

- siano state osservate le istruzioni d'installazione e d'uso;
- si utilizzino attrezzature di dimensioni corrette, secondo le informazioni sulle dimensioni rilasciate da Hozelock Cyprio;
- in caso di problemi, sia stato contattato tempestivamente il nostro servizio assistenza - Helpline (0121 313 1122);
- il prodotto sia stato restituito integro.

I rimborsi possono essere autorizzati esclusivamente da Hozelock Cyprio e saranno effettuati solo presso il punto vendita, per il valore del prezzo d'acquisto del solo filtro. Tenere presente che la garanzia Clearwater non è applicabile se la perdita di limpidezza dell'acqua è causata da un tappeto di alghe, in luogo di normali alghe verdi.

Garanzia di 2 anni Hozelock Cyprio

Se questo prodotto Bioforce Revolution (lampada esclusa) cessa di funzionare entro 2 anni dalla relativa data d'acquisto, sarà riparato o sostituito, a nostra discrezione, a titolo gratuito, premesso che non si ritenga sia stato danneggiato. Non si assume alcuna responsabilità a fronte di danni dovuti a incidenti, installazione o utilizzo errati. La responsabilità è limitata alla sostituzione dell'unità guasta. La presente garanzia non è trasferibile e non ha alcuna influenza sui diritti normativi dell'utente. Per beneficiare della presente garanzia, contattare in primo luogo i servizi assistenza clienti di Hozelock Cyprio (0121 313 1122) che potrebbero richiedere l'invio dell'unità, unitamente alla prova d'acquisto, all'indirizzo sottostante.

Contatti / Parti di ricambio

www.hozelock.com

Dati tecnici

Codice	1352	1353	1354
Gamma	Bioforce Revolution		
Volt (V)	230V 50Hz		
Alimentazione UVC (W)	18	24	36
Dimensione massima del laghetto con pesci	6.000 l (1.320 gal)	9.000 l (1.980 gal)	14.000 l (3.080 gal)
Dimensione massima del laghetto senza pesci	12.000 l (2.640 gal)	18.000 l (3.960 gal)	28.000 l (6.160 gal)
Dimensione massima della pompa Aquaforce Hozelock Cyprio (lph)	4000	6000	8000
Flusso max., QMax, (lph)	3000	4500	7000
Valutazione IP	IP57	IP57	IP57
Temperatura massima dell'acqua Tmax., (°C)	35°C	35°C	35°C
Sistema di pulizia Bioforce Revolution	✓	✓	✓

* Misurata in condizioni controllate



Non smaltire le apparecchiature elettriche come rifiuti urbani non differenziati, ma smaltirli presso strutture preposte separate. Contattare l'ente locale per richiedere informazioni sul sistema di raccolta disponibili. Smaltendo le apparecchiature elettriche presso le discariche, potrebbe verificarsi un versamento di sostanze pericolose nelle falde acquifere, quindi nella catena alimentare, con conseguenti danni alla salute e al benessere. Nell'UE, qualora si sostituiscano apparecchiature usate con apparecchiature nuove, il rivenditore è legalmente obbligato a ritirare la vecchia apparecchiatura e smaltirla gratuitamente.

E

Gracias por elegir un producto Hozelock de calidad. Este producto dispone de una garantía de servicio de la máxima confianza.

- a** Carcasa eléctrica.
- b** Conjunto de tapa.
- c** Lente indicadora de lámpara UV.
- d** Pomo de la manivela de limpieza.
- e** Manivela de limpieza.
- f** Válvula de desvío.
- g** Dedos de limpieza (amarillo).
- h** Recubrimiento UV.
- i** Cubeta de espuma.
- j** Espuma Cypricube.
- k** Medios biológicos.
- l** Junta tórica del recipiente.
- m** Recipiente del filtro.
- n** Abrazadera de la tapa.
- o** Embudo biológico.
- p** Acoplamiento de extremo de manguera y tuerca.
- q** Palanca.

INSTRUCCIONES DE INSTALACIÓN Y FUNCIONAMIENTO



LEA ATENTAMENTE ESTAS INSTRUCCIONES ANTES DE INICIAR LA INSTALACIÓN.

EL INCUMPLIMIENTO DE LOS AVISOS QUE SE INDICAN A CONTINUACIÓN PODRÍA PROVOCAR LESIONES, DAÑOS EN EL PRODUCTO O LA PÉRDIDA DE PECES.

CONSERVE ESTAS INSTRUCCIONES PARA FUTURAS CONSULTAS.

El sistema Bioforce Revolution de Hozelock Cyprio es un nuevo concepto de filtración de agua para estanques de jardín de mantenimiento sencillo.

Es un sistema:

- Compacto y eficiente
- Fácil de instalar.
- Fácil de limpiar y de mantener.
- Puede colocarse casi en cualquier sitio.

Si se usa junto con la bomba de estanques apropiada, el sistema mejorará la claridad del agua, eliminará los residuos sólidos no deseados del estanque y convertirá los residuos químicos y orgánicos procedentes de los peces que están disueltos en el agua en compuestos inofensivos.

Atención: Precaución por rayos UV

Este dispositivo incorpora un emisor de rayos UV-C. Si se utiliza el equipo de manera no deliberada o si la carcasa sufre daños, podría producirse un escape de peligrosa radiación UV-C. La radiación UV-C puede provocar daños en los ojos y la piel, incluso en pequeñas dosis. La lámpara está equipada con un sistema de protección que apagará la lámpara en caso de abrir la carcasa eléctrica.

Cuando se enciende la lámpara, puede comprobarse su funcionamiento buscando el destello de color azulado que emite la lente indicadora UV. No utilice el producto sin agua.

Advertencia: No trate de utilizar el emisor de rayos UV-C si se ha sacado de la carcasa del dispositivo.

Importante

Este dispositivo no debe ser utilizado por personas con discapacidad física, sensorial o mental (incluidos niños), ni personas con falta de experiencia y aptitudes, a menos que una persona que se haga cargo de su seguridad se ocupe de su supervisión o de proporcionarles instrucciones sobre cómo utilizar el dispositivo. Se debe vigilar a los niños con objeto de evitar que jueguen con el dispositivo. Si este dispositivo presenta daños evidentes, no debe utilizarse.

Advertencia: Seguridad y conexiones eléctricas

- 1.1 ADVERTENCIA: DESCONECTE O DESENCHUFE DE LA RED ELÉCTRICA TODOS LOS DISPOSITIVOS DEL ESTANQUE SIEMPRE QUE VAYA A METER LAS MANOS EN EL AGUA DURANTE LA INSTALACIÓN, REPARACIÓN, MANTENIMIENTO O MANEJO DEL EQUIPO.**
- 1.2 Este filtro ha sido diseñado para su uso exclusivo en estanques de jardín. No utilice este filtro con ningún otro fin (p. ej., no utilice este filtro en piscinas, etc.). Si utiliza el producto para otra finalidad, podría provocar lesiones o daños en el producto.
- 1.3 Los dispositivos que presenten daños evidentes no deben utilizarse.
- 1.4 El tubo transparente del interior del equipo está fabricado en cristal de cuarzo y debe manejarse con cuidado durante los trabajos de instalación y mantenimiento. Recomendamos el uso de protección ocular y guantes adecuados.
- 1.5 El filtro Bioforce Revolution es resistente al agua pero no es sumergible. Coloque el equipo en posición vertical cerca del estanque, pero no lo sitúe donde pueda caer al agua o en una zona que pueda inundarse (consulte la sección "Instalación").

1.6 Importante: Este producto se entrega con 5 metros de cable eléctrico de 3 conductores. El cable que se incluye con este producto no es resistente al agua y debe estar conectado a la red eléctrica dentro de un recinto seco y protegido de la intemperie conforme a lo estipulado en la normativa local.

1.7 ADVERTENCIA: Este equipo DEBE estar conectado a tierra y es fundamental que las conexiones se lleven a cabo conforme a los códigos siguientes:

- MARRÓN - conectado
- AZUL - neutral
- VERDE/AMARILLO - tierra.

1.8 Los tendidos de cable expuestos deben estar colocados de forma adecuada y protegerse con un conducto blindado, sobre todo si existe riesgo de contacto con equipos de jardinería como cortacéspedes u horcas o con niños y animales domésticos.

1.9 DEBE instalarse un interruptor diferencial de 30mA como máximo conectado a la red eléctrica.

1.10 Las instalaciones permanentes a la red eléctrica deben cumplir las normativas nacionales y locales referentes a instalaciones eléctricas. Si tiene alguna duda sobre cómo realizar el cableado a la red eléctrica, consulte con un electricista cualificado o con alguna empresa eléctrica local.

1.11 Nunca utilice el cable de conexión a la red eléctrica o la manivela de limpieza para levantar o subir el filtro, ya que podría el equipo podría sufrir daños. Si es necesario mover el filtro, primero hay que apagar el producto y sacar todo el agua. A continuación, agarre el producto por donde la tapa se ajusta al recipiente principal para levantarlo.

1.12 Nunca se siente o se apoye en la manivela de limpieza (fig 4).

1.13 Nunca levante el filtro por la manivela de limpieza. Lleve siempre el equipo firmemente agarrado por el borde de la tapa con las dos manos (fig. 5).

1.14 No maneje el filtro sin agua.

1.15 No obstruya las bocas de salida cuando el filtro se esté utilizando.

1.16 No maneje el producto si el cable de conexión a la red eléctrica ha sufrido algún daño. El cable de conexión no puede cambiarse. Si el cable sufre algún daño, la carcasa eléctrica deberá eliminarse conforme a lo estipulado en la normativa local vigente.

1.17 Proteja el producto de las heladas si no va a utilizarlo todo el año. (Consulte la sección "Cuidados durante el invierno").

1.18 Proteja el filtro de la exposición a la luz solar directa.

1.19 Este producto no está indicado para temperaturas del agua superiores a 35 °C o inferiores a 0 °C.

1.20 Utilice exclusivamente accesorios que hayan sido diseñados para este producto. El uso de cualquier otro accesorio o pieza de repuesto podría invalidar la garantía.

Pautas generales eléctricas

2.1 La Tabla de Información Técnica que está al dorso muestra las pautas generales acerca de las especificaciones del filtro y de la bomba recomendada.

No obstante, para conseguir un resultado óptimo es necesario tener en cuenta otros factores condicionantes, ya que estos reducen las prestaciones del filtro.

- **Profundidad del estanque:** Hozelock Cyprio recomienda una profundidad mínima de 1,2m (4') en los estanques de Koi. Para estanques con una profundidad media inferior a 0,75 m (2' 6"), el factor condicionante es + 25%. En los estanques poco profundos, la luz penetra totalmente y se calientan rápidamente. Esta circunstancia favorece el crecimiento de algas.
- **Ubicación:** La ubicación del estanque determina la cantidad de luz solar o de sombra que recibe el estanque cada día. Los estanques plenamente expuestos a la luz solar durante todo el día tienen un factor condicionante de +25%.
- **Clima:** El clima afecta a la temperatura del agua y a los requisitos de alimentación y tasa de actividad de los peces. Cuando más activos sean los peces, mayor será la exigencia sobre el sistema de filtración. En climas cálidos (p. ej., Sudáfrica), el factor condicionante +35%. En climas templados (p. ej., sur de Europa), el factor condicionante es +15%. En un clima del norte de Europa (p. ej., la mayor parte de Gran Bretaña), el factor condicionante es +0%.
- **EJEMPLO:** Usted posee un estanque de peces de colores de 2200 litros y 0,75 cm de profundidad (factor condicionante +25%). Vive en Londres, una ciudad con clima del norte de Europa (factor condicionante +0%). El estanque tiene exposición plena a la luz solar (+25%). Por tanto, el volumen efectivo de su estanque aumenta en un 50% (25% + 25%), por lo que deberá ajustar la capacidad de su equipo como si su estanque tuviera una capacidad de 3300 litros.

- 2.2 Caudal: Para un resultado óptimo, todo el volumen del estanque debería pasar por el Bioforce Revolution cada 1½ - 2½ horas, siendo este último el caudal recomendado para estanques de Koi. No supere el caudal máximo, tal como se indica en la Tabla de Información Técnica que está al dorso. Si desea obtener agua clara, es fundamental seleccionar un caudal adecuado. Si su instalación no tiene grandes pérdidas (p. ej., mangueras de gran longitud), puede que sea necesario ajustar el caudal con una espita de manguera de control de caudal con objeto de lograr una tasa de recirculación de entre 1½ y 2½ horas.

Las mangueras de diámetro reducido, las mangueras excesivamente largas y una altura de bombeo elevada pueden reducir el rendimiento de la bomba. Recomendamos que seleccione una bomba que rinda el caudal requerido frente a una columna totalmente estática (es decir, la distancia vertical entre la superficie del estanque y la boca de entrada del filtro), más 0,6 m (2 pies) para tener en cuenta las pérdidas de fricción que se ocurren en las mangueras.

El propósito del filtrado es pasar los residuos del estanque al filtro, por lo que la bomba que se vaya a utilizar como parte del conjunto deberá ser capaz de tratar sólidos, como la gama de bombas Aquaforce de Hozelock Cyprio, que han sido diseñadas específicamente para estanques del volumen indicado para Bioforce Revolution. La bomba debe colocarse en la zona más profunda del estanque

con el fin de garantizar una circulación óptima del agua en el estanque y optimizar su capacidad de tratamiento de sólidos. Asimismo, debe instalarse sobre una plataforma horizontal que se encuentre a 300 mm por encima del fondo del estanque. De este modo, se evitará que la bomba succione la suciedad directamente del fondo del estanque y también garantizará que quede suficiente agua en el estanque en caso de ocurra una fuga accidental del agua del estanque.

Cómo comprobar el caudal: Tome un contenedor con un volumen conocido y cronometre el tiempo que tarda en llenarse (en segundo). A continuación, divida 3600 por el número de segundos que ha tardado el contenedor en llenarse, y multiplíquelo por el volumen (litros o galones) del contenedor. El resultado será el caudal en litros o galones por hora (lph o gph).

- 2.3 Densidad de población de peces: En condiciones y régimen de alimentación normales, la gama Bioforce Revolution admite hasta 50 cm por cada 1000 litros (10" de peces por cada 100 galones) de capacidad del estanque. Introduzca los peces poco a poco en las primeras semanas hasta alcanzar el 20% del nivel máximo recomendado, y, si lo desea, aumente esta cantidad hasta el 50% cuando hayan pasado seis meses. Este equilibrio favorecerá el crecimiento.
- 2.4 Tratamientos en el estanque: Algunas medicinas o tratamientos pueden degradarse muy rápidamente a causa de la radiación UVC. Contemple la posibilidad de desconectar el filtro durante el tratamiento de enfermedades. La filtración mecánica y biológica seguirá funcionando.
- Si está aplicando un tratamiento para eliminar las algas pelo de su estanque, apague la bomba y el filtro durante el tratamiento hasta que las algas pelo tratadas hayan sido retiradas del estanque.
- 2.5 Debe prestar atención especial a las conexiones de manguera, ya que la existencia de fugas provocará la pérdida de agua en el estanque.

Instalación

- 3.1 **Importante:** No utilice una bomba de caudal superior a 8000 lph o una altura máxima de bombeo superior a 5 metros con la gama de filtros de Bioforce Revolution.
- 3.2 **Importante:** Los filtros Bioforce Revolution solo deben instalarse en posición vertical (fig. 6).
- 3.3 Los filtros Bioforce Revolution son equipos externos a presión de filtración y rayos UVC que están alimentados por bombas y se pueden instalar al lado del estanque u escondidos en lo alto de una cascada, tanto por encima del suelo (fig. 7) como en el suelo (fig. 8).
- Si decide instalar el filtro por encima del suelo, coloque el filtro sobre una superficie horizontal.
- Si decide enterrar parcialmente el filtro, deberá rellenar la excavación con arena compacta para que el equipo se sostenga. Si opta por este tipo de instalación, deje un espacio de 50 mm como mínimo entre la abrazadera y el nivel del suelo con el fin de facilitar su retirada para llevar a cabo los trabajos de mantenimiento una vez al año.
- 3.4 Si se utilizan mangueras de diámetro reducido, habrá una restricción excesiva del flujo de agua. Cuanto

mayor sea el diámetro de la manguera que vaya a utilizar, mejor será el rendimiento del filtro, sobre todo en el caso de mangueras de gran longitud. Los acoplamientos de extremo de manguera que se incluyen con este equipo se adaptan a mangueras Cypriflex de 25 mm (1"), 32 mm (1¼") y 40 mm (1½"). Siempre recomendamos que se utilicen mangueras de 40 mm de diámetro con los filtros Bioforce Revolution para impedir la restricción del flujo de agua.

Una vez que haya determinado el diámetro de la manguera que va a usar, para que no haya restricción, debe cortar aquellas graduaciones del acoplamiento de extremo de manguera que sean más pequeñas que el diámetro de la manguera (fig. 9).

La bomba que abastece al filtro y a la boca de salida de la manguera de retorno al estanque deben estar lo más alejadas posible para garantizar una circulación óptima del agua, por lo que debe tener esta circunstancia en cuenta a la hora de comprar, medir y cortar la manguera Cypriflex.

Conecte un tramo de manguera de la longitud adecuada entre la bomba de suministro y la boca de entrada del filtro (fig. 10 (i)) y sujete la manguera al acoplamiento de extremo de manguera por medio de los ganchos de manguera de Hozelock Cyprio, disponibles por separado. A continuación, conecte un tramo de manguera de la longitud adecuada a la boca de salida del filtro (fig. 10 (ii)) del mismo modo. Si desea más información sobre la boca de salida de residuos (fig. 10 (iii)), consulte la sección "Limpieza".

Coloque la bomba en un lugar adecuado del estanque y sitúe el extremo de la manguera de salida de modo que el agua filtrada retorne al estanque.

Evite las dobleces y los nudos al colocar las mangueras. Intente que las mangueras sean lo más cortas posible para reducir al mínimo la restricción del flujo.

- 3.5 Asegúrese de que la manivela esté colocada por encima de la carcasa eléctrica. Tome el pomo y la tapa de la manivela suministradas y acóplelas a la manivela de limpieza. Para ello, encuéntrelas en la manivela y colóquelas en su sitio con un clic (fig. 11).

Su filtro ya está listo para usar.

Funcionamiento

- 4.1 **Asegúrese de que la válvula de desvío está dirigida hacia la boca de salida del estanque (fig. 12).**
- 4.2 Conecte el cable de suministro del filtro (consulte la sección 1 – Seguridad y conexiones eléctricas). Esta acción encenderá la lámpara UVC. Podrá comprobar que la lámpara funciona buscando el destello de color azul que emite la lente indicadora de la lámpara UV en la carcasa superior (fig. 1 (c)).
- 4.3 Encienda la bomba.
- 4.4 **Períodos de funcionamiento:** Mantenga el filtro funcionando las 24 horas del día. Lo ideal es que funcione durante todo el año, pero como mínimo deberá utilizarse durante toda la temporada de alimentación (esto es, hasta que la temperatura del agua descienda por debajo de 10 °C). Durante el invierno, el funcionamiento de la bomba y del filtro mantendrá un nivel básico de bacterias útiles en el Bioforce y contribuirá a evitar la congelación del

estanque. Si apaga la bomba durante el invierno, lave cuidadosamente el filtro antes de volver a realizar la filtración en primavera (consulte la sección "Almacenamiento durante el invierno", 11.0). Nunca dé alimento a sus peces si no está utilizando el filtro.

Maduración

- 5.1 La maduración biológica implica que el filtro ha cultivado la suficiente cantidad de bacterias nitrificantes como para convertir los residuos nocivos procedentes de la piscicultura y otros residuos orgánicos (p. ej., amoníaco, nitritos) en nitratos relativamente inofensivos. Este proceso suele tardar entre 6 y 8 semanas, pero depende de muchos factores, como la temperatura del agua, el índice de alimentación y la densidad de población. La utilización de un agente de maduración como Hozelock Cyprio Filter Start acelerará la maduración.

Limpieza

Cuándo limpiar el Bioforce Revolution.

Los filtros Bioforce Revolution ofrecen unas prestaciones óptimas con un mantenimiento reducido. Si el estanque está extremadamente sucio, puede que, al principio, sea necesario limpiar el filtro cada pocos días, conforme va acumulando residuos muy rápidamente. A medida que el estanque se vaya aclarando, quedarán menos residuos para eliminar, con lo que no será necesario limpiar el filtro con tanta frecuencia. Los filtros a presión alcanzan su punto de mayor eficiencia cuando la espuma se bloquea parcialmente. Sin embargo, a medida que aumenta el bloqueo, menos agua pasa por la espuma, y se hace necesario limpiarla.

- 6.1 Desconecte la bomba de la red eléctrica.
- 6.2 Conecte un tramo de manguera de la longitud adecuada a la boca de salida de residuos (fig. 10 (iii)) utilizando el acoplamiento de extremo de manguera suministrado y un gancho de manguera. Puede colocar el extremo de la manguera de residuos sobre un sumidero o un arriate. El agua con los residuos resulta un fertilizante excelente.
- 6.3 Gire la manivela varias veces. Recomendamos que gire la manivela varias vueltas completas en ambos sentidos (fig. 13). A medida que gira la manivela, las aspas de limpieza de color amarillo (fig. 2 (g)) rotarán disgregando y estrujando los cubos de espuma. Esto hará que expulsen todos los residuos que hayan acumulado.
- 6.4 Gire la válvula de desvío hasta la posición de residuos (fig. 14). Podrá oír un "clic".
- 6.5 Encienda la bomba.
- 6.6 Continúe girando la manivela (vueltas completas en ambos sentidos). Al principio, el agua con los residuos será de un color verde intenso o pardusco dependiendo de la configuración de su estanque.
- Tras un breve período de tiempo, el color del agua con los residuos perderá su intensidad y el agua empezará a aclararse. En este punto, deje de girar la manivela y vuelva a colocarla en la posición de almacenamiento, por encima de la carcasa principal (fig. 15).
- Espere 5 segundos hasta que se expulsen los últimos residuos y gire la válvula de desvío de vuelta al estanque.

ADVERTENCIA: Si deja la válvula en la posición de residuos, el estanque se vaciará. Asegúrese de volver a colocarla hacia la boca de salida del estanque.

- 6.7 El tiempo necesario para limpiar el filtro depende de varios factores, pero cuanto más a menudo limpie el filtro, menos tiempo tendrá que dedicar a ello. Normalmente, el tiempo que se tarda en limpiar el filtro es de pocos minutos.

De vez en cuando, deberá rellenar el estanque para sustituir el agua con los residuos que se haya expulsado durante la limpieza. Los cambios parciales de agua del estanque resultan fundamentales para mantener un sistema saludable.

Mantenimiento

Advertencia: Lea estas instrucciones de mantenimiento antes de abrir el dispositivo.

Advertencia: no trate de quitar la tapa o la carcasa eléctrica cuando se estén utilizando la bomba y el filtro. La abrazadera de la tapa incorpora una ranura para candado con el fin de evitar que se pueda abrir por accidente. Recomendamos utilizarlo cuando pueda haber niños presentes.

7.1 Sustitución de la lámpara UV:

Advertencia: Antes de desconectar el emisor UV-C, el dispositivo deberá estar desenchufado de la red eléctrica.

La eficacia de la lámpara UV disminuye de modo importante con el paso del tiempo, por lo que deberá sustituir la lámpara cada 12 meses aunque la lámpara siga funcionando.

- 7.1.1 Desconecte la corriente de la bomba de suministro y el filtro.
- 7.1.2 Gire la válvula de desvío hasta la posición de residuos. Esta acción permite que la presión interna se iguale con la presión atmosférica y facilita la retirada de la carcasa eléctrica sin que el agua sea absorbida hasta la superficie superior de la tapa.
- 7.1.3 Gire la manivela de limpieza media vuelta de modo que se aparte de la carcasa eléctrica (fig. 16 (i)).
- 7.1.4 Utilice un destornillador para quitar los 5 tornillos que sujetan la carcasa eléctrica a la tapa. (fig. 16 (ii)). Hay un hueco entre la boca de entrada y la boca de salida del filtro para guardar los tornillos mientras cambia la lámpara (fig. 16 (iii)).
- 7.1.5 Sujete la carcasa eléctrica y tire de ella hacia arriba con suavidad para sacarla. Ponga la carcasa boca abajo y colóquela sobre una superficie horizontal seca.
- 7.1.6 Fig. 17. Desatornille el anillo de bloqueo del tubo de cuarzo (i). Sujete suavemente el tubo de cuarzo (ii), levántelo y sáquelo junto con las juntas tóricas (iii) y el anillo de bloqueo.
- 7.1.7 Retire la lámpara vieja sacándola de su soporte con suavidad, quite la tapa negra de protección del extremo de la lámpara (fig. 17 (iv)) y saque la placa reflectora (fig. 17 (v)). Elimine la lámpara vieja conforme a lo estipulado en la normativa local y conecte una lámpara nueva.
- 7.1.8 Vuelva a colocar la placa reflectora y presione la tapa negra sobre el extremo de la lámpara.
- 7.1.9 Deslice el tubo de cuarzo hacia abajo por la lámpara.

Asegúrese de que las dos juntas tóricas de la base del tubo de cuarzo estén limpias y no contengan residuos.

- 7.1.10 Deslice el anillo de bloqueo hacia abajo por el tubo de cuarzo y enrósquelo. Deberá enroscar el anillo de bloqueo hasta que el tope del mismo toque el tope de la carcasa e impida que se siga enroscando más.
- 7.1.11 Vuelva a colocar la carcasa eléctrica. La carcasa solo puede colocarse en una posición, por lo que no debe tratar de forzarla. Cuando esté en su sitio, vuelva a colocar los 5 tornillos. Los tornillos deberán estar atornillados completamente para asegurar la activación del interruptor de protección.
- 7.1.12 Gire la válvula de desvío de vuelta hasta la posición de residuos y coloque la manivela de limpieza en la posición de almacenamiento.
- 7.1.13 Vuelva a arrancar la bomba y, en primer lugar, compruebe la existencia de fugas y posteriormente encienda la lámpara UV. Busque el destello de color azulado que emite la lente indicadora UV.

7.2 Cuidados del tubo de cuarzo UV:

El tubo de cuarzo de la lámpara UVC puede quedar cubierto de depósitos de cal, especialmente en zonas de aguas duras. Esto reducirá la eficacia del equipo si se permite que siga acumulándose. Para limpiarla, desconecte la bomba y el suministro eléctrico de la lámpara UV, quite la carcasa eléctrica tal como se describe en el apartado 7.1 y limpie el tubo de cuarzo con un trapo suave humedecido con un producto de limpieza suave, como por ejemplo el vinagre (consulte la fig. 18). Cuando vaya a limpiar el tubo de cuarzo, utilice ropa de protección (p. ej., gafas de seguridad y guantes).

7.3 Sustitución de la espuma Cypricube:

Examine la espuma una vez al año. La frecuencia con la que deberá cambiar la espuma dependerá de la configuración del estanque. Recomendamos que cambie las espumas durante el invierno y antes de que comience a alimentar a los peces de nuevo al empezar la primavera*. Si cambia la espuma en otra época del año, es posible que altere la química del estanque y que sus peces sufran daños.

*A medida de que el agua del estanque va enfriándose durante el otoño, los peces comienzan a reducir su metabolismo en preparación de un período de semiletargo. Sus sistemas digestivo e inmunológico se ralentizan, y no son capaces de digerir el mismo tipo de alimento que durante los meses más cálidos. Si están hambrientos, empezarán a alimentarse de alimentos más sencillos, que se dan de forma natural en un estanque. Por este motivo, cuando la temperatura del agua del estanque descienda por debajo de 10 °C durante mucho tiempo, es aconsejable que deje de alimentar a sus peces. Cuando el clima comience a mejorar al principio de la primavera, los peces empezarán a recobrar su actividad, por lo que podrá volver a alimentar a sus peces de forma gradual.

- 7.3.1 Desconecte la corriente de la bomba de suministro y el filtro.
- 7.3.2 Gire la válvula de desvío hasta la posición de residuos. Esta acción permite que la presión interna se iguale con la presión atmosférica y facilita la retirada de la tapa.
- 7.3.3 Suelte la abrazadera de la tapa (fig. 2(n)). Libere

la tapa con suavidad y sáquela por medio de las 2 palancas situadas a cada lado (fig. 19). Para ello, puede ser una buena idea quitar las mangueras que estén conectadas.

- 7.3.4** Levante la cubeta de espuma, sáquela (fig. 2(i)) y tire la espuma vieja. Vacíe el agua del interior del recipiente del filtro y recoja los medios biológicos en una malla. Los medios biológicos no requieren ningún tipo de mantenimiento.
- 7.3.5** Si la parte inferior del recipiente está recubierta de una capa de lodo, aclárela con algo de agua del estanque.
- 7.3.6** Cambie los medios biológicos, asegurándose de que se encuentren alrededor del embudo biológico (fig. 2(o)) del fondo del recipiente. No debe haber ningún medio biológico dentro del embudo biológico (fig. 2O).
- 7.3.7** Coloque la cubeta de espuma en el recipiente. Gire la cubeta de espuma hasta que los triángulos pequeños de la parte superior de la cubeta de espuma coincidan con una de las líneas verticales del interior del recipiente del filtro (fig. 21). La cubeta de espuma se deslizará a su sitio. **Asegúrese de que la cubeta de espuma esté en posición correcta a fin de facilitar la colocación de la tapa.**
- 7.3.8** Llene la cubeta de espuma con la cantidad recomendada de espuma CypriCube de repuesto. No se preocupe si los cubos secos de espuma ocupan algo más de espacio cuando están nuevos. Asegúrese de que no caiga nada de espuma por el orificio central a la zona del embudo biológico.

Nunca aplaste la espuma para que quepa mayor cantidad. La espuma seca debe añadirse sin compactarla y no deberá superar la altura del recipiente del filtro (fig. 22). Si añade demasiada espuma, el filtro será más difícil de limpiar.

- 7.3.9** Asegúrese de que la junta (fig. 2(l)) de la parte superior del recipiente del filtro esté en su sitio y no contenga residuos ni suciedad. Si es necesario, añada una capa fina de grasa de silicona a la junta para facilitar el montaje. Vuelva a colocar la tapa. Deslice el tubo central de color negro que cubre la lámpara UV hacia abajo por el orificio central.
- 7.3.10** Vuelva a colocar la abrazadera de la tapa. Asegúrese de que no haya acumulación de agua por debajo de la abrazadera de la tapa y mantenga lubricada la palanca basculante con un lubricante a base de aceite.
- 7.3.11** Gire la válvula de desvío de vuelta hasta la posición de residuos y coloque la manivela de limpieza en la posición de almacenamiento.
- 7.3.12** Vuelva a arrancar la bomba y, en primer lugar, compruebe la existencia de fugas. Posteriormente, encienda la lámpara UV. Busque el destello de color azulado que emite la lente indicadora UV.

Resolución de problemas / Preguntas frecuentes

Problema	Posible causa	Solución
El agua no fluye del filtro al estanque.	La bomba de suministro no está encendida o no funciona.	Compruebe que la bomba esté encendida y funcionando.
	La manguera de suministro está bloqueada.	Compruebe la manguera de suministro y la manguera de retorno al estanque por si hay alguna obstrucción.
	La válvula de desvío apunta a "Residuos"	Gire la válvula de desvío hasta "Estanque".
Flujo reducido a través del filtro	Las espumas están bloqueadas.	Limpie el filtro (consulte la sección "Limpieza").
	La manguera de suministro está bloqueada.	Compruebe la manguera de suministro y la manguera de retorno al estanque por si hay alguna obstrucción.

Almacenamiento durante el invierno

- 8.1** Puede apagar el equipo durante la época fría de invierno (cuando los peces no están activos y se detiene el crecimiento de algas). En ese caso, deberá retirar el equipo, lavarlo a fondo, limpiarlo, secarlo y guardarlo en una zona seca que esté protegida de las heladas. Guarde siempre el equipo con la tapa quitada para garantizar una ventilación y secado óptimos.

Problema	Posible causa	Solución
El agua no se aclara	El filtro nuevo no ha madurado todavía.	La claridad del agua del estanque debería empezar a mejorar en un plazo de 2-3 semanas, pero la maduración biológica completa puede tardar entre 6 y 8 semanas antes de que el filtro sea totalmente eficaz.
	Filtro de tamaño incorrecto para su estanque.	Compruebe que está utilizando el filtro que corresponde a la configuración de su estanque.
	Bomba de suministro de tamaño incorrecto.	Compruebe el caudal. Consulte la sección 2.2.
	Lámpara UV fundida.	Compruebe la lente indicadora UV. Sustituya la lámpara UV.
	Lámpara UV antigua.	Sustituya la lámpara UV cada 12 meses.
	La espuma necesita limpieza.	Limpie el filtro (consulte la sección "Limpieza").
	La boca de salida de la manguera de retorno del estanque está colocada por encima de la bomba de suministro.	Cambie de ubicación la bomba o la salida de la manguera de retorno del estanque de modo que estén lo más alejadas posible.
	El estanque tiene una población excesiva de peces.	Disminuya la cantidad de peces del estanque.
Exceso de alimentación.	Dé de comer a sus peces únicamente la cantidad de alimento que puedan consumir en unos pocos minutos. Dejes de comer una sola vez al día.	
La manivela de limpieza no gira.	La bomba está funcionando al empezar la limpieza. Apague la bomba. Gire la manivela en ambos sentidos varias veces. Encienda la bomba (consulte la sección "Limpieza").	

Garantía de Agua Clara de Hozelock Cyprio

LE GARANTIZAMOS AGUA CLARA O LA DEVOLUCIÓN DE SU DINERO si utiliza un equipo Bioforce Revolution de Hozelock Cyprio con la bomba adecuada. Esta garantía tiene validez por 12 meses después de la adquisición del producto, con las siguientes condiciones:

- Que se hayan seguido las instrucciones de instalación y funcionamiento.

- Que el equipo sea del tamaño apropiado de acuerdo a la información de tamaños de Hozelock Cyprio.
- Que haya realizado una consulta a nuestra línea de ayuda (0121 313 1122) con la suficiente antelación como para tratar de corregir el problema.
- Que se haya devuelto el producto sin que haya sufrido ningún daño.

La devolución de dinero puede ser autorizada solamente por Hozelock Cyprio, y se lleva a cabo únicamente en el lugar de adquisición original y únicamente por el valor de compra del filtro. Tenga en cuenta que la Garantía de Agua Clara no cubre la pérdida de claridad del agua cuando la turbidez es causada por algas filamentosas, y no por algas de agua verde.

Garantía Hozelock Cyprio por 2 años

Si el equipo Bioforce Revolution (sin incluir la lámpara) dejara de funcionar correctamente en un plazo inferior a los 2 años desde la fecha de compra, este será reparado o reemplazado a nuestra elección sin coste alguno, a menos que, a nuestro juicio, el equipo haya sufrido algún daño. Esta garantía no cubre responsabilidad alguna por daños provocados por accidentes, o por instalaciones o usos inadecuados. La responsabilidad queda limitada a la sustitución del equipo defectuoso. Esta garantía es intransferible. No afecta a sus derechos legales. Para obtener los beneficios de la garantía, contacte primero con el servicio de atención al consumidor de Hozelock Cyprio (0121 313 1122), desde el que se le puede pedir que envíe el equipo junto con el tique de compra a la dirección que se indica más abajo.

Contacto / Piezas de repuesto

www.hozelock.com

Información técnica

Número de pieza	1352	1353	1354
Gama	Bioforce Revolution		
Voltios (V)	230V 50Hz		
Potencia UVC (W)	18	24	36
Tamaño máximo del estanque con peces	6000 litros (1320 gal)	9000 litros (1980 gal)	14000 litros (3080 gal)
Tamaño máximo del estanque sin peces	12000 litros (2640 gal)	18000 litros (3960 gal)	28000 litros (6160 gal)
Caudal máximo de la bomba Aquaforce de Hozelock Cyprio (lph)	4000	6000	8000
Caudal máximo, QMax, (lph)	3000	4500	7000
Grado IP	IP57	IP57	IP57
Temperatura máxima del agua Tmax,, (°C)	35°C	35°C	35°C
Sistema de limpieza Bioforce Revolution	✓	✓	✓
* Medido en condiciones controladas			



Los dispositivos eléctricos no deben mezclarse con los residuos domésticos generales y están sujetos al principio de recogida selectiva. Para obtener más información sobre cómo deshacerse de sus aparatos eléctricos viejos, póngase en contacto con su ayuntamiento. Si se desechan productos eléctricos en vertederos o basureros, se corre el peligro de que las sustancias peligrosas puedan filtrarse al agua subterránea e introducirse en la cadena alimenticia, perjudicando su salud y bienestar. En la UE, al cambiar aparatos usados por equipos nuevos, el vendedor tiene la obligación legal de recibir su equipo antiguo, de forma gratuita, para que sea eliminado.

N

Merci d'avoir choisi un produit de qualité Hozelock dont nous pouvons d'ores et déjà vous assurer la fiabilité du service.

- a** El-hus
- b** Deksel
- c** Indikatorlinse til UV-lampe
- d** Rengjøre håndtaksknott
- e** Rengjøringshåndtak
- f** Avlederventil
- g** Rengjøringsfingre (gule)
- h** UV-skjerm
- i** Skumspann
- j** Cypricube-skum
- k** Biomedia
- l** O-ring
- m** Filterbeholder
- n** Dekselklemme
- o** Biotrompet
- p** Slangeende og mutter
- q** Spak

INSTALLASJONS- OG BRUKSANVISNING



LES DISSE INSTRUKSJONENE NØYE FØR INSTALLASJON PÅBEGYNNES.

MANGEL PÅ OVERHOLDELSE AV FØLGENDE MERKNADER KAN FØRE TIL PERSONSKADE, PRODUKTSKADE ELLER TAPT FISK.

BEHOLD DISSE INSTRUKSJONENE FOR FREMTIDIG REFERANSE.

Hozelock Cyprio Bioforce Revolution er et nytt konsept for vannfiltrering i hagedammer med enkelt vedlikehold.

Det er:

- Kompakt og effektivt.

- Enkelt å installere.
- Enkelt å gjøre rent og vedlikeholde.
- Kan plasseres nesten hvor som helst.

Med riktig pumpe i dammen forbedrer den vannets klarhet, fjerner uønskede faste partikler og gjør oppløst organisk og kjemisk fiskeavfall om til uskadelige forbindelser.

Merk: UV-advarsel

Dette produktet inneholder en UV-C-sender. Utsiktet bruk av produktet eller skade på huset kan føre til utslipp av farlig UV-C-stråling. Selv små doser UV-C-stråling kan føre til skade på øyne og hud. Lampen er utstyrt med en sperremekanisme som slår den av hvis el-huset blir åpnet.

UV-indikatorlinsen lyser blått hvis lampen er slått på. Produktet må ikke tørrkjøres.

Advarsel: Ikke slå på UV-C-senderen hvis den er tatt ut av huset.

Viktig

Produktet er ikke beregnet for bruk av personer (inkludert barn) med nedsatte fysiske, sansemessige eller mentale evner, eller mangel på erfaring og kunnskap, med mindre de har tilsyn eller opplæring i bruk av produktet av en person som er ansvarlig for sikkerheten deres. Kontroller at barn ikke leker med produktet. Ikke bruk produktet hvis det har åpenbare skader.

Advarsel: Sikkerhet og el-tilkoblinger

- 1.1 ADVARSEL: ALLE APPARATER I DAMMEN MÅ ALLTID KOBLES FRA STRØMTILFØRSELEN FØR DU TAR HENDENE VANNET FOR Å INSTALLERE, REPARERE, VEDLIKEHOLDE ELLER BETJENE UTSTYR.**
- 1.2** Dette filteret er kun utviklet for bruk i hagedammer. Ikke bruk dette filteret til andre formål (dvs. ikke bruk dette filteret i svømmebasseng e.l.). Bruk av produktet til andre formål kan føre til person- eller produktskade.
- 1.3** Produkter med åpenbare skader må ikke betjenes.
- 1.4** Det gjennomtsiktige røret i enheten er lagd av kvartsglass, og forsiktighet må derfor utvises ved installasjon og vedlikehold. Vi anbefaler å bruke vernebriller og hansker.
- 1.5** Bioforce Revolution-filteret er værbestandig, men skal ikke nedsenkes i vann. Plasser enheten stående i nærheten av dammen, men ikke på en slik måte at den kan falle ned i vannet eller bli oversvømt (se avsnittet, "Installasjon").
- 1.6** **Viktig:** Dette produktet har en trekjernet strømledning på fem meter. Stikkkontakten som følger med produktet er ikke vanntett, og skal kobles til strømmettet i et tørt og værbestandig avlukke i samsvar med lokalt regelverk.
- 1.7** **ADVARSEL:** Dette produktet MÅ jordes, og det er ytterst viktig at tilkoblingene har følgende kode:
 - BRUN – strømførende
 - BLÅ – nøytral
 - GRØNN/GUL – jord.

- 1.8 Ledningstrekk i friluft skal plasseres fornuftig og beskyttes med en herdet kanal, spesielt hvis det er fare for kontakt med hageutstyr, som gaffer og plenklippere, eller med barn og husdyr.
- 1.9 En jordfeilbryter med maks. 30 mA MÅ kobles til strømmettet.
- 1.10 Faste installasjoner på strømmettet må være utført i samsvar med nasjonale og lokale forskrifter. Ta kontakt med en kvalifisert elektriker eller de lokale myndighetene hvis du er i tvil om tilkoblingen til strømmettet.
- 1.11 Strømledningen og rengjøringshåndtaket må aldri brukes til å løfte eller fjerne filteret, da dette kan føre til skade. Hvis filteret må fjernes, skal produktet først slås av og tømmes for vann. Løft deretter produktet ved å ta tak der dekselet er festet på hovedbeholderen.
- 1.12 Ikke sitt på eller len deg mot rengjøringshåndtaket (fig. 4).
- 1.13 Ikke løft filteret i rengjøringshåndtaket. Bær alltid enheten med to hender godt rundt kanten av dekselet (fig. 5).
- 1.14 Ikke bruk filteret tørt
- 1.15 Ikke blokker uttakene når filteret er i bruk.
- 1.16 Ikke bruk produktet hvis strømledningen på noen måte er skadet. Strømledningen kan ikke skiftes ut. Hvis ledningen er skadet, må el-huset avhendes i samsvar med lokalt regelverk.
- 1.17 Sørg for frostbeskyttelse hvis enheten ikke skal brukes hele året. (Se avsnittet "Vinterpleie").
- 1.18 Beskytt filteret mot direkte sollys.
- 1.19 Dette produktet er ikke egnet for vanntemperatur over 35 °C eller under 0 °C.
- 1.20 Bruk kun tilbehør som er beregnet for bruk med dette produktet. Bruk av annet tilbehør eller reservedeler kan ugyldiggjøre garantien.

Indications d'ordre général

- 2.1 Diagrammet med teknisk informasjon på neste side viser generelle retningslinjer for filterspesifikasjon og anbefalt pumpe. Best resultat oppnås imidlertid ved å ta hensyn til andre kondisjonsfaktorer, da disse reduserer filterets kapasitet.
 - **Damdybde:** Hozelock Cyprio anbefaler en minstdybde på 1,2 m for koidammer. For dammer med gjennomsnittsdybde på under 0,75 m, er kondisjonsfaktoren +25 %. Grunne dammer kan ha full penetrering av sollys og varmes raskt opp. Dette fremmer algevekst.
 - **Plassering:** Dammens plassering er avgjørende for mengden sollys og skygge i dammen. Dammer med sollys hele dagen har en kondisjonsfaktor på +25 %.
 - **Klima:** Klimatet påvirker vanntemperaturen og fiskens aktivitet/fôrbehov. Jo mer aktiv fisken er, jo større er kravene til filtreringssystemet. I varmt klima (f.eks. Sør-Afrika) er kondisjonsfaktoren +35 %. I temperert klima (f.eks. Sør-Europa) er kondisjonsfaktoren +15 %. I nordeuropeisk klima (f.eks. størstedelen av Storbritannia) er kondisjonsfaktoren +0 %.
 - **EKSEMPEL:** Du har en 2200 liters gullfiskdam med en dybde på 0,75 m (kondisjonsfaktor +25 %). Du bor i

London, som har nordeuropeisk klima (kondisjonsfaktor +0 %). Dammen har fullt sollys (+25 %). Dammens effektive volum økes derfor med 50 % (25 % + 25 %), og du må ha utstyr tilsvarende en dam på 3300 liter.

- 2.2 **Pumpeytelse:** Best resultat oppnås hvis vannet i dammen passerer Bioforce Revolution med 1,5–2,5 timers mellomrom. Høyeste pumpeytelse anbefales for koidammer. Ikke overskrid den maksimale pumpeytelsen, som er angitt i diagrammet med teknisk informasjon på neste side. Riktig pumpeytelse er viktig for å få klart vann. Hvis installasjonen ikke har høyt tap (dvs. lange slangetrekk), kan det være nødvendig å justere ytelsen til riktig gjennomstrømning for 1,5–2,5 timer med en flytkontrollkran.

Slanger med liten diameter, unødvendig lange slangetrekk og høy stigning (trykkhøyde) kan ha vesentlig innvirkning på pumpens ytelse. Vi anbefaler å bruke en pumpe som gir riktig pumpeytelse ved full statisk løftehøyde (= vertikal avstand mellom damoverflaten og filterinntaket), pluss 0,6 m for å ta høyde for friksjonstap i slangene.

Hensikten med filtrering er å overføre avfallsmaterialer fra dammen til filteret, og alle pumper som brukes som en del av pakken skal være i stand til å håndtere faste partikler. Dette inkluderer Hozelock Cyprios Aquaforce-pumper, som er spesielt utviklet til dammer innenfor dimensjonene som dekkes av Bioforce Revolution. Pumpen skal plasseres i den dypeste delen av dammen for å gi best mulig vannsirkulasjon i dammen og maksimere kapasiteten til å håndtere faste partikler. Pumpen skal installeres på et flatt underlag som er 300 mm over bunnen av dammen. Dermed suger ikke pumpen avfall rett fra bunnen av dammen, og dammen har tilstrekkelig vannmengde hvis lekkasjer skulle oppstå.

Slik kontrollerer du pumpeytelsen: Bruk en beholder du vet volumet på, og ta tiden på hvor lang tid det tar å fylle den (i sekunder). Del deretter 3600 med antall sekunder det tar å fylle beholderen, og gang dette med volumet (liter) til beholderen. Resultatet er pumpeytelsen i liter per time (l/t).

- 2.3 **Fiskebestandtetthet:** Ved normale forhold og normal føring, har Bioforce Revolution-serien støtte for opptil 50 cm per 1000 liter damkapasitet. Sett ut maksimalt 20 % av anbefalt fiskemengde de første ukene, og øk til maksimalt 50 % etter seks måneder. På denne måten kan fisken vokse.
- 2.4 **Dambehandlinger:** Noen legemidler/behandlinger degraderes svært raskt av UVC-stråling. Filteret kan om nødvendig slås av ved behandling av sykdommer. Mekanisk og biologisk filtrering fungerer fortsatt. Hvis du skal rense dammen for trådalger, skru av pumpe og filter til trådalgene er fjernet fra dammen.
- 2.5 Vær ekstra oppmerksom på slangekoblingene, da lekkasjer kan føre til vanntap fra dammen.

Installasjon

- 3.1 **Viktig:** Ikke bruk pumper med pumpeytelse på over 8 000 l/t eller maksimal trykkhøyde på over 5 meter med filtre i Bioforce Revolution-serien.
- 3.2 **Viktig:** Bioforce Revolution-filtre må kun installeres vertikalt (stående) (fig. 6).

- 3.3 Bioforce Revolution-filtre er pumpematede, trykksatte eksterne filtre og UVC-enheter som kan monteres over bakken (fig. 7) eller nedgravd (fig. 8) ved siden av dammen eller skjult øverst i en foss.

Hvis du velger å montere filteret over bakken, skal det settes på et flatt underlag.

Hvis du velger å grave filteret delvis ned, skal hullet fylles godt med kompakt sand for å støtte enheten. Hvis du velger denne typen installasjon, skal det være minst 50 mm mellomrom mellom klemmen og bakken, slik at den er enkel å fjerne ved årlig vedlikehold.

- 3.4 Bruk av slanger med liten diameter fører til stor begrensning av vannstrømmingen. Jo større slangediameter du bruker, jo bedre blir filterytelsen. Spesielt gjelder dette over lange slangetrekk. Slangeendene som følger med denne enheten passer til 25 mm (1"), 32 mm (1¼") og 40 mm (1½") Cypriflex-slanger. Vi anbefaler alltid å bruke 40 mm-slange med Bioforce Revolution-filtre for å unngå vannstrømningsbegrensinger.

Når du har valgt ønsket slangediameter, skjærer du av trinnene på slangeenden som er mindre enn slangediameteren for å unngå begrensninger (fig. 9).

Pumpen som forsyner filteret og uttaket til dammens returslange skal være så langt unna hverandre som mulig for å oppnå optimal vannsirkulasjon, så vær oppmerksom på dette ved kjøp, oppmåling og tilpassing av Cypriflex-slangen.

Fest en passende slangelengde mellom forsyningspumpen og filterinntaket (fig. 10 (i)), og fest slangen til slangeenden med Hozelock Cyprio slangeklemmer, som selges separat. Koble deretter en passende slangelengde til filteruttaket (fig. 10 (ii)) på samme måte. Hvis du ønsker informasjon om avløpet (fig. 10 (iii)), se avsnittet "Rengjøring".

Sett pumpen på et egnet sted i dammen, og legg enden av avløpsslangen på en slik måte at vannet renner tilbake i dammen.

Unngå knekk og bøyer ved plassering av slangene. Slangetrekkene skal være så korte som mulig for å minimere strømningsbegrensninger.

- 3.5 Sett sveivehåndtaket over el-huset. Ta knotten til sveivehåndtaket og dekselet, og koble til rengjøringshåndtaket ved å klikke det på (fig. 11). Filteret er nå klart til bruk.

Betjening

- 4.1 **Kontroller at avlederventilen er dreid til damavløp** (fig. 12).
- 4.2 Koble til filterets strømløsing (se avsnitt 1 – Sikkerhet og el-tilkoblinger). UVC-lampen slås på. Kontroller at lampen fungerer som den skal ved å se etter blått lys i indikatorlinsen til UV-lampen (fig. 1 (c)).
- 4.3 Slå på pumpen.
- 4.4 **Betjningsperioder:** Filteret skal være på hele døgnet. Fortrinnsvis skal det gå hele året, men i alle tilfeller i løpet av foringsperioden (dvs. til vanntemperaturen er under 10 °C). Hvis pumpen får gå om vinteren, bevares en grunnleggende mengde nyttige bakterier i Bioforce og dammen fryser ikke så lett til. Hvis pumpen slås av for vinteren, skal filteret vaskes grundig før det settes i drift igjen om våren (se "Vinterlagring", 11.0). Fisken

må ikke mates når filteret ikke er i bruk.

Modning

- 5.1 Biologisk modning betyr at filteret har bygd opp nok nitrifiserende bakterier til å omdanne skadelig avfall fra fisk og annet organisk materiale (f.eks. ammoniakk, nitritt) til relativt uskadelig nitrat. Prosessen tar normalt 6–8 uker, men avhenger av mange faktorer, som vanntemperatur, fôrdosering og bestandtetthet. Sett fart på modningsprosessen ved å tilsette et modningsmiddel, som Hozelock Cyprio Filter Start.

Rengjøring

Tidspunkt for rengjøring av Bioforce Revolution.

Bioforce Revolution-filtre har maksimal ytelse med minimalt vedlikehold. Hvis dammen er svært skitten, kan det hende at filteret må rengjøres med noen få dagers mellomrom i begynnelsen, da avfall raskt fanges opp. Når dammen blir klarere er det mindre avfall å fjerne, slik at det ikke er nødvendig å rengjøre like ofte. Trykksatte filtre er mest effektive når skummet er delvis blokkert. Når blokkeringen øker, reduseres imidlertid pumpeytelsen fordi at mindre vann strømmer gjennom skummet, og rengjøring blir nødvendig.

- 6.1 Slå av pumpen på hovedinntaket.
- 6.2 Koble en passende slangelengde til avløpet (fig. 10 (iii)) med den medfølgende slangeenden og en slangeklemme. Enden av avløpsslangen kan plasseres over et avløpsrør eller et blomsterbed. Avløpsvannet er god gjødsel.
- 6.3 Sveiv håndtaket rundt noen ganger. Vi anbefaler flere omdreininger både med og mot urviseren (fig. 13). Når håndtaket roteres roterer de gule rengjøringsbladene (fig. 2 (g)), slik at skumtellingene splittes og oppsamlet avfall klemmes ut.
- 6.4 Drei avlederventilen til avløpsposisjonen (fig. 14). Du hører et klikk.
- 6.5 Slå på pumpen.
- 6.6 Fortsett å sveive håndtaket (fullstendige omdreininger i begge retninger). Først kommer avløpsvannet til å ha en intens grønn- eller brunfarge, avhengig av hvordan dammen er satt opp.

Etter kort tid blir fargen på avløpsvannet svakere, og vannet blir klarere. Stans sveivingen og sett håndtaket tilbake i lagringsposisjonen over hovedkroppen (fig. 15).

Vent fem sekunder til det siste avfallsstoffet blir spylt gjennom, og sett avlederventilen tilbake til dam.

ADVARSEL: Hvis ventilen blir ståene i avløpsposisjonen, vil dammen bli tøm. Sett den tilbake til damavløp.

- 6.7 Hvor lang tid det tar å rengjøre filteret avhenger av flere faktorer, men jo oftere filteret blir rengjort, jo kortere blir rengjøringstiden. Rengjøringen tar normalt noen få minutter.

Ibland må du fylle vann i dammen for å erstatte vannet som tømmes ut ved rengjøring. Delvis vannutskiftning er en viktig del av å bevare et sunt damvannsystem.

Vedlikehold

Advarsel: Les disse vedlikeholdsinstruksjonene før apparatet åpnes.

Advarsel: Ikke fjern dekselet eller el-huset når pumpen og filteret er i bruk. Det er tilrettelagt for hengelås på dekselklemmen for å forhindre utilsiktet åpning, og vi anbefaler å bruke denne hvis barn har tilkomst.

7.1 Skifte UV-lampen:

Advarsel: Produktet må kobles fra strømmen før UV-C-senderen kobles fra.

UV-lampers effektivitet reduseres kraftig over tid, så lampen må skiftes hver 12. måned selv om lampen fortsatt fungerer.

- 7.1.1 Slå av strømmen til forsyningspumpen og filteret.
- 7.1.2 Drei avlederventilen til avløp. På denne måten tilpasses det innvendige trykket i forhold til lufttrykket, slik at det er enkelt å fjerne el-huset uten at vann trekkes opp på dekselet.
- 7.1.3 Sveiv rengjøringshåndtaket en halv omdreining, slik at det ikke kommer i veien for el-huset (fig. 16 (i)).
- 7.1.4 Bruk en skrutrekker til å fjerne de fem skruene som fester el-huset til dekselet (fig. 16 (ii)). Det er en lomme mellom filterinntaket og -avløpet for oppbevaring av skruene mens du skifter lampen (fig. 16 (iii)).
- 7.1.5 Ta tak i el-huset og trekk det forsiktig opp. Sett huset opp ned på et tørt og jevnt underlag.
- 7.1.6 Fig. 17. Skru av kvartsrørets låsering (i). Hold kvartsrøret forsiktig (ii), løft det opp og ta av sammen med o-ringene (iii) og låseringen.
- 7.1.7 Ta den gamle lampen ut ved å trekke den forsiktig ut av holderen og fjern de sorte beskyttelsesdekslet fra enden av lampen (fig. 17 (iv)). Fjern deretter reflektorplaten (fig. 17 (v)). Avhend den gamle lampen i samsvar med det lokale regelverket og monter den nye lampen.
- 7.1.8 Sett reflektorplaten tilbake på plass og trykk det sorte dekslet på enden av lampen.
- 7.1.9 Før kvartsrøret ned over lampen. Kontroller at de to o-ringene nederst på kvartsrøret er rene og støvfrie.
- 7.1.10 Før låseringen ned over kvartsrøret og skru fast. Skru til låseringens stoppmechanisme treffer husets stoppmechanisme, slik at låseringen ikke kan skrus lengre.
- 7.1.11 Sett el-huset på igjen. Huset kan kun monteres i én stilling, og må ikke tvinges. Sett de fem skruene i igjen når det er på plass. Skruene må skrus helt ned for å sikre at sperrebryteren er aktivert.
- 7.1.12 Drei avlederventilen tilbake til damposisjonen, og sett rengjøringshåndtaket i lagringsposisjon.
- 7.1.13 Start pumpen på nytt, se etter lekkasjer, og slå deretter på UV-lampen. Kontroller om det lyser blått fra UV-indikatorlinsen.

7.2 Vedlikehold av UV-kvartsrøret:

I områder med hardt vann er kvartsrørskjermen og UVC-lampen spesielt utsatt for kalkavleiringer. Dette reduserer enhetens effektivitet hvis det ikke blir fjernet. Rengjør ved å slå av pumpen og strømtilførselen til UV-lampen, fjern el-huset, som forklart i 7.1, og tørk av kvartsrøret med en myk klut fuktet med rengjøringsmiddel, for eksempel eddik (se fig. 18). Bruk verneutstyr, som vernebriller og hansker, ved rengjøring av kvartsrøret.

7.3 Skifte Cypricube-skum:

Kontroller skummet årlig. Skumutskiftningens hyppighet avhenger av dammens oppsett. Vi anbefaler å skifte skummet om vinteren før du begynner å mate fisken igjen om våren*. Hvis du bytter skum på andre tidspunkt i løpet av året, kan kjemien i dammen forårsake skadelige endringer for fisken.

*Når temperaturen i dammen synker om høsten, begynner fisken å ta det med ro for å forberede seg på en periode med halvvalde. Fordøyelses- og immunsystemene deres roer seg ned, og de kan ikke lenger fordøye samme mattype som de kan i løpet av de varme periodene. Når de er sultne spiser de enklere mat som naturlig finnes i dammiljøet. Derfor bør du slutte å mate fisken når temperaturen i vannet er under 10 °C i lengre perioder. Når været blir varmere og fisken blir mer aktiv på begynnelsen av våren, kan du gradvis begynne å mate fisken igjen.

- 7.3.1 Slå av strømmen til forsyningspumpen og filteret.
- 7.3.2 Drei avlederventilen til avløp. På denne måten tilpasses det innvendige trykket i forhold til lufttrykket, slik at det er enkelt å fjerne dekslet.
- 7.3.3 Løsne dekselklemmen (fig. 2(n)). Løsne og fjern dekslet forsiktig med de to spakene på hver sin side (fig. 19). Det kan hjelpe hvis du fjerner de tilkoblede slangene.
- 7.3.4 Løft og fjern skumspannet (fig. 2(i)), og kast det gamle skummet. Tøm vannet fra innsiden av filterbeholderen, og samle biomedie i et nett. Biomedie krever ikke vedlikehold.
- 7.3.5 Hvis bunnen av filterbeholderne er dekket med et slamlag, skylles dette ut med damvann.
- 7.3.6 Skift biomedie, og sørg for at den ligger rundt biotrompeten (fig. 2(o)) i bunnen av beholderen. Det skal ikke være biomedie i biotrompeten (fig. 20).
- 7.3.7 Sett skumspannet i beholderen. Roter skumspannet til de små trekantene øverst i skumspannet er på høyde med én av de vertikale linjene inni filterbeholderen (fig. 21). Skumspannet faller på plass. **Kontroller at skumspannet er korrekt plassert, slik at det er enkelt å sette på dekslet.**
- 7.3.8 Fyll skumspannet med anbefalt mengde nytt Cypricube-skum. Nye, tørre skumterninger tar mer plass, og dette er helt normalt. Kontroller at skum ikke faller ned i hullet midt i biotrompeten.
Skummet må ikke trykkes sammen for å få plass til mer. Det tørre skummet skal legges løst og ikke gå over kanten på filterbeholderen (fig. 22). Hvis det er for mye skum, blir det vanskeligere å rengjøre filteret.
- 7.3.9 Kontroller at pakningen (fig. 2(l)) øverst på filterbeholderen er i riktig posisjon og fri for skit og avfall. Ta om nødvendig litt silikonfett på pakningen for å gjøre monteringen enklere. Sett dekslet på igjen. Før det sorte røret som dekker UV-lampen ned gjennom hullet i midten.
- 7.3.10 Sett på igjen dekselklemmen. Kontroller at det ikke er samlet opp vann under båndklemmen, og sørg for at henglespaken er godt oljet med et oljebasert smøremiddel.
- 7.3.11 Drei avlederventilen tilbake til damposisjonen, og sett rengjøringshåndtaket i lagringsposisjon.
- 7.3.12 Start pumpen på nytt, og se etter lekkasjer. Slå

deretter på UV-lampen. Se om det lyser blått fra UV-indikatorlinsen.

Vinterlagring

- 8.1 Enheten kan slås av i kaldt vintervær (når fisken er inaktiv og algevekst stopper opp). Det skal deretter tas ut, vaskes grundig, rengjøres, tørkes og lagres frostfritt. Enheten skal oppbevares med dekselet av for å gi tilstrekkelig ventilasjon og gode tørkeforhold.

Feilsøking / vanlige spørsmålquestions

Problem	Mulig årsak	Løsning
Vann strømmer ikke gjennom filteret til dammen.	Forsyningspumpen er ikke slått på eller i uorden.	Kontroller at pumpen fungerer og er slått på.
	Tilstoppet forsyningslange.	Kontroller om forsyningslangens eller dammens returslange er tilstoppet.
	Avlederventilen er satt til "Avløp"	Sett avlederventilen til "Dam".
Redusert strømning gjennom filteret	Skummet er tilstoppet.	Rengjør filteret (se "Rengjøring").
	Tilstoppet forsyningslange.	Kontroller om forsyningslangens eller dammens returslange er tilstoppet.

Problem	Mulig årsak	Løsning
Vannet blir ikke klart	Det nye filteret har ikke modnet enda.	Damvannets klarhet skal begynne å forbedre seg innen 2–3 uker, men full biologisk modning og maksimalt effektiv filtrering kan ta 6–8 uker.
	Feil filterstørrelse for dammen.	Kontroller at du bruker riktig filter for dammens oppsett.
	Forsyningspumpe med feil størrelse.	Kontroller pumpeytelsen. Se 2.2.
	UV-lampen har gått.	Kontroller UV-indikatorlinsen. Skift UV-lampen.
	Gammel UV-lampe.	Skift UV-lampen hver 12. måned.
	Skummet må rengjøres.	Rengjør filteret (se "Rengjøring").
	Uttaket til dammens returslange er plassert over forsyningspumpen.	Flytt pumpen eller uttaket til dammens returslange til de er så langt fra hverandre så mulig.
	Dammen har for stor fiskebestand.	Reduser dammens fiskebestand.
	Overføring.	Fiskene skal ikke ha mer mat enn de kan fortære på noen få minutter. Gi kun før én gang om dagen.
	Rengjøringshåndtaket roterer ikke.	Pumpen går når rengjøringen starter.

Hozelock Cyprio Clearwater-garanti

VI GARANTERER KLART VANN ELLER PENGENE TILBAKE for Hozelock Cyprio Bioforce Revolution hvis det er brukt med riktig pumpetype. Garantien gjelder i tolv måneder etter kjøpsdatoen forutsatt at:

- Du har fulgt installasjons- og bruksanvisningen.
- Bruker utstyr med riktig dimensjon i samsvar med Hozelock Cyprios dimensjonsveiledning.
- Du tar kontakt med kundetelefonen vår (+44 (0)121 313 1122) på et tidlig tidspunkt, slik at problemet kan løses.
- Produktet returneres i uskadet stand.

Refusjon kan kun godkjennes av Hozelock Cyprio, og gis kun på utsalgsstedet for filterets kjøpspris. Merk at Clearwater-garantien ikke dekker tap av vannklarhet hvis det skyldes ugresstepper, og ikke grønalgler.

Hozelock Cyprio toårsgaranti

Hvis denne Bioforce Revolution-enheten (unntatt lampen) blir ubrukelig innen to år etter kjøpsdatoen, blir den reparert eller erstattet gratis, avhengig av vårt valg, med mindre den etter vår mening er skadet. Vi påtar oss ikke ansvar for skade som har oppstått på grunn av uhell, feil installasjon eller bruk. Ansvar er begrenset til erstatning av enheten med feil. Denne garantien er ikke overførbar. Den påvirker ikke forbrukerrettighetene dine. Ta først kontakt med Hozelock Cyprio forbrukertjenester (+44 (0)121 313 1122) hvis du ønsker å benytte garantien, og du kan da bli bedt om å sende enheten sammen med kjøpsbevis direkte til adressen under.

Kontakt/reservedeler

www.hozelock.com

Teknisk informasjon

Delenummer	1352	1353	1354
Serie	Bioforce Revolution		
Volt (V)	230V 50Hz		
UVC-strøm (W)	18	24	36
Maksimal damstørrelse med fisk	6000 l	9000 l	14 000 l
Maksimal damstørrelse uten fisk	12 000 l	18 000 l	28 000 l
Maksimal pumpestørrelse på Hozelock Cyprio Aquaforce (l/t)	4000	6000	8000
Maksimal strømning, QMaks., (l/t)	3000	4500	7000
IP-merking	IP57	IP57	IP57
Maks. vanntemperatur Tmaks., (°C)	35°C	35°C	35°C
Bioforce Revolution rengjøringsystem	✓	✓	✓

* Målt i kontrollerte forhold



Ikke kast elektriske apparater som usortert restavfall. Bruk egne innsamlingsstasjoner. Kontakt kommunen for å få informasjon om tilgjengelige innsamlingsssystemer. Hvis elektriske apparater kastes i depotter eller på tipper, kan farlige stoffer lekke ut i grunnvannet og komme inn i næringskjeden, og dermed skade helse og velvære. Når gamle apparater byttes med nye, er forhandlere i EU juridisk forpliktet til å ta det gamle apparatet tilbake for gratis avhending.

FIN

Kiitos kun valitsit Hozelock-laatuotteen. Voit olla varma, että tämä tuote toimii luotettavasti.

- a Sähkökotelo
- b Kansikokoonpano
- c UV-lampun merkivalolinssi
- d Puhdistuskahvan nuppi
- e Puhdistuskahva
- f Ohitusventtiili
- g Puhdistussormet (keltainen).
- h UV- kehys
- i Vaahtoastia
- j Cypricube-vahto
- k Bio-väliaine
- l Astian O-rengastiivite
- m Suodatinastia
- n Kannen puristinvanne
- o Bio-suppilo
- p Letkuliitin ja mutteri
- q Vipu

ASENNUS- JA KÄYTTÖOHJEET



LUE NÄMÄ OHJEET HUOLELLISESTI ENNEN ASENNUKSEN ALOITTAMISTA.

SEURAAVIEN HUOMAUTUSTEN NOUDATTAMISEN LAIMINLYÖNTI SAATTAA JOHTAA LOUKKAANTUMISEEN, TUOTTEEN VAURIOITUMISEEN TAI KALOJEN MENETYKSEEN.

SÄILYTÄ NÄMÄ OHJEET MYÖHEMPÄÄ TARVETTA VARTEN.

Tämä Hozelock Cyprio Bioforce Revolution on uusi menetelmä putarhalampien helppoon vedensuodattukseen.

Se on:

- Kompakti ja tehokas
- Helppo asentaa
- Vaivaton puhdistaa ja ylläpitää
- Voidaan sijoittaa lähes minne tahansa

Käytettynä yhdessä asianmukaisen lampipumpun kanssa se parantaa veden kirkkautta, poistaa ei-toivotut kiintoaineet lammikosta ja muuntaa liuenneet orgaaniset ja kemialliset kalojen jätteet harmittomiksi yhdisteiksi.

Huomio: UV-huomautus

Tämä laite sisältää UV-C-lähettimen. Laitteen väärä käyttö tai kotelon vaurioituminen voi johtaa vaarallisen UV-C-säteilyn vapautumiseen. UV-C-säteily voi pieninäkin annoksina aiheuttaa silmä- ja ihovaurioita. Lamppu on varustettu lukitusella, joka sammuttaa lampun, jos sähkökotelo avataan.

Lamppu voidaan tarkistaa lamppu päällä katsomalla sinistä hehkua UV-merkivalolinssistä. Älä käytä tuotetta kuivana.

Varoitus: Älä yritä käyttää UV-C-lähetintä, kun se on poistettu laitekotelosta.

Tärkeää

Laite ei ole tarkoitettu käyttäjille (mukaan lukien lapset), joiden aistit ovat heikentyneet tai joilla on heikentynyt fyysinen tai psyykinen kunto tai joilta puuttuu tarpeellinen kokemus ja tiedot, ellei heidän turvallisuudestaan vastuussa oleva henkilö valvo heitä tai anna heille ohjeita. Lapsia on valvottava, etteivät he leiki laitteella. Jos laite on selvästi vaurioitunut, sitä ei saa käyttää.

Varoitus: Turvallisuus ja sähköliittännät

- 1.1 VAROITUS: IRROTA AINA KAIKKI LAMMESSA OLEVAT LAITTEET VIRTALÄHTEESTÄ ENNEN KÄSIEN TYÖNTÄMISTÄ VETEEN VÄLINEITÄ ASENNETTAESSA, KORJATTAESSA, HUOLLETTAESSA TAI KÄSITELTÄESSÄ.**
- 1.2** Tämä suodatin on tarkoitettu käytettäväksi vain puutarhalammissa. Älä käytä tätä suodatinta mihinkään muuhun tarkoitukseen (so. älä käytä tätä suodatinta uima-altaissa jne). Tuotteen käyttö muuhun tarkoitukseen voi johtaa loukkaantumiseen tai tuotteen vaurioitumiseen.
- 1.3** Selvästi vaurioituneita laitteita ei saa käyttää.
- 1.4** Kirkas putki laitteen sisällä on tehty kvartsilasista ja sitä on käsiteltävä varovasti asennuksen ja huollon aikana. Suosittelemme silmäsuojainten ja sopivien käsineiden käyttöä.
- 1.5** Bioforce Revolution -suodatin on säänkestävä, mutta sitä ei saa upottaa veteen. Aseta laite pystyasentoon lähelle lampea, mutta ei paikkaan, jossa se voi kaatua veteen tai jossa maahan voi kerääntyä vettä (ks. luku "Asennus").
- 1.6 Tärkeää:** Tämä tuote toimitetaan 5 m pitkän 3-johtoisen sähkökaapelin kanssa. Sen mukana toimitettava pistoke ei ole vesitiivis ja se on liitettävä sähkösyöttöön kuivan säänkestävän kotelon sisällä paikallisten määräysten mukaisesti.
- 1.7 VAROITUS:** Tämä laite TÄYTYV maadoittaa, ja kytkennät on tehtävä seuraavan koodin mukaisesti:
 - RUSKEA - vaihe
 - SININEN - nolla
 - VIHREÄKELTAINEN - maadoitus
- 1.8** Näkyvissä olevat johdot on asetettava turvalliseen paikkaan ja suojattava tarvittaessa putkilla, etenkin jos ne voivat joutua kosketuksiin puutarhalaitteiden, esim. talikkojen ja ruohonleikkureiden, tai lasten tai kotieläinten kanssa.
- 1.9** Enintään 30 mA:n vikavirtasuojalaite (RCD) TÄYTYY liittää sähkösyöttöön.
- 1.10** Pysyvän asennuksen sähkösyötön täytyy vastata kansallisia ja paikallisia sähköasennusmääräyksiä. Pyydä pätevä sähkömiehen tai paikallisen sähkölaitoksen apua, jos olet epävarma sähkösyöttökytkennöistä.
- 1.11** Älä koskaan käytä sähköjohtoa tai puhdistuskahvaa suodattimen nostamiseen tai siirtämiseen, sillä laite voi vaurioitua. Jos suodatinta on siirrettävä, sähkösyöttö on ensin kytkettävä pois päältä ja laite on tyhjennettävä vedestä. Nosta sitten tuote tarttumalla alueeseen, jossa kansi on puristettu vanteella laitteen pääosaan.

- 1.12** Älä koskaan istu puhdistuskahvan päälle tai nojaa siihen! (kuva 4).
- 1.13** Älä koskaan nosta suodatinta puhdistuskahvasta. Kanna laitetta aina kahdella kädellä tarttuen tiukasti kannan vanteeseen (kansi 5).
- 1.14** Älä anna suodattimen kuivua.
- 1.15** Älä peitä ulostuloja kun suodatin on käytössä.
- 1.16** Jos kaapeli vioittuu, laitetta ei saa enää käyttää. Sähkökaapelia ei voi vaihtaa. Jos kaapeli vaurioituu, sähkökotelo on hävitettävä paikallisten määräysten mukaisesti.
- 1.17** Jos yksikköä ei käytetä vuoden ympäri, se on suojattava pakkaselta. (Ks. luku, "Talvihoito").
- 1.18** Suojaa suodatin suoralta auringonvalolta.
- 1.19** Tämä tuote ei sovi veden lämpötiloille yli 35 °C tai alle 0 °C.
- 1.20** Käytä ainoastaan tämän tuotteen kanssa käytettäväksi tarkoitettuja lisätarvikkeita. Muiden lisätarvikkeiden ja varaosien käyttö saattaa poistaa takuun voimassaolon.

Yleiset ohjeet

- 2.1** Tekniset tiedot -sivu antaa yleistiedot suodattimesta ja suositellusta pumpusta. Parhaiden tulosten saamiseksi on kuitenkin otettava huomioon useita muita olosuhdetekijöitä, jotka rajoittavat suodattimen toimintakykyä.
 - **Lammen syvyys:** Hozelock Cyprio suosittelee 1,2 m:n (4') vähimmäisyvyvyyttä Koi-lammille. Keskisyvyydeltään alle 0,75 m:n (2'6") lammelle olosuhdetekijä on +25 %. Auringonvalo menee läpi matalien lampien ja ne lämpiävät nopeasti. Tämä lisää leväkasvua.
 - **Sijainti:** Lammen sijainti määrittää sen saaman päivittäisen auringonvalon ja varjossaoloajan. Koko päivän auringonvalossa olevien lampien olosuhdetekijä on +25 %.
 - **Ilmasto** vaikuttaa veden lämpötilaan ja kalojen aktiivisuustasoon / ruokintavaatimuksiin. Mitä aktiivisempi kala, sitä suuremmat ovat vaatimukset suodatinjärjestelmälle. Kuumassa ilmastossa (esim. Etelä-Afrikka) olosuhdetekijä on +35 %. Lauhassa ilmastossa (esim. Etelä-Euroopassa) olosuhdetekijä on +15 %. Pohjois-Euroopan kylmemmässä ilmastossa (esim. useimmat alueet Iossa-Britanniassa) olosuhdetekijä on +0 %.
 - **ESIMERKKI:** Sinulla on 2 200 litran 0,75 m syvä kulkalalampi (olosuhdetekijä +25 %). Asut Lontoossa - Pohjois-Euroopan ilmasto (olosuhdetekijä +0 %). Lampi on jatkuvasti auringonvalossa (+25 %). Lampesi tehokas tilavuus kasvaa siksi 50 % (25 % + 25 %) ja laitteesi koko on mitoitettava 3 300 litran lammen mukaan.
- 2.2 Virtausnopeus:** Parhaiden tulosten saamiseksi lammen tilavuuden tulisi mennä Bioforce Revolution -laitteen läpi 1½ - 2½ tunnissa. Suurempi virtausnopeus on suositeltu Koi-lammille. Älä ylitä teknisiä tietoissa annettua enimmäisvirtausnopeutta. Oikea virtausnopeus on oleellinen kirkaan veden saamiseksi. Jos asennuksessasi ei ole suuria häviöitä (esim. pitkät letkupituudet), virtauksen säätö virtauksen säätöhanaa käyttäen voi olla tarpeen, jotta saadaan 1½ - 2½ tunnin läpivirtausaika.

Pieniläpimittainen letku, tarpeettoman pitkät letkut ja suuri nostokorkeus voivat pienentää huomattavasti pumpun lähtövirtausta. Suosittelemme pumppua, jolla saadaan vaadittava virtaus täydellä nostokorkeudella (= pystysuora välimatka lammen pinnan ja suodattimen tuloliitännän välillä) plus 0,6m (2ft) letkujen kitkahäviöille.

Suodatuksen tavoitteena on siirtää jätemateriaali lammesta suodattimeen. Tämän vuoksi käytetyt pumppupaketin on kyettävä käsittelemään kiintoaineita, esim. Hozelock Cypro'n Aquaforce -pumppusarja, joka on suunniteltu erityisesti Bioforce Revolution -laitteelle sopiville erikokoisille lammille. Pumppu tulisi sijoittaa lammen syvimpään kohtaan, jotta varmistetaan paras mahdollinen veden kierrätys lammessa ja maksimoidaan järjestelmän kiintoaineen käsittelyominaisuudet. Pumppu on asennettava tasaiselle, vaakasuoralle alustalle, joka on korotettu 300 mm lammen pohjasta. Tämä estää pumppua imemästä likaa suoraan lammen pohjasta ja varmistaa myös että lampeen jää riittävästi vettä, jos tapahtuu vesivuoto.

Virtausmäärän tarkistaminen: Käytä astiaa, jonka tilavuus tiedetään ja ota sen täyttämiseen kuluva aika (sekunneissa). Jaa sitten 3 600 astian täyttämisen sekuntimäärällä ja kerro tulos astian tilavuudella (litraa tai galloniaa). Tulos on virtausmäärä litroissa tai gallonissa tunnissa (l/h tai gph).

2.3 Kalojen määrä: Normaaleissa olosuhteissa ja ruokintatilanteissa Bioforce Revolution -tuotealue tukee enintään 50 cm kaloja 1 000 lammen litraa kohden (10" kaloja 100 galloniaa kohden). Lisää kaloja hitaasti muutaman ensimmäisen viikon aikana, enintään 20 % suositellusta enimmäismäärästä. Jos haluat voit lisätä tämän 50 prosenttiin kuuden kuukauden jälkeen. Tämä kalojen määrä sallii niiden kasvun.

2.4 Lammien hoito: Tietty lääkke-/hoitoaineet voivat menettää tehonsa hyvin nopeasti UVC-säteilystä johtuen. Harkitse suodattimen sammuttamista näiden tautihoitojen aikana. Mekaanisen ja biologisen suodatuksen toiminta jatkuu.

Jos olet poistamassa lammesta levää, sammuta pumppu ja suodatin käsittelyn ajaksi, kunnes levä on poistettu lammesta.

2.5 Erityisen huolellinen on oltava kaikkien letkuliitännöiden kanssa, sillä vuodot aiheuttavat lammen veden menetyksen.

Asennus

- 3.1 Tärkeää:** Älä käytä tuotoltaan yli 8 000 l/h tai nostokorkeudeltaan yli 5 m:n pumppua Bioforce Revolution -suodattimien kanssa.
- 3.2 Tärkeää:** Bioforce Revolution -suodattimet saa asentaa vain pystysuoraan asentoon (Kuva 6).
- 3.3** Bioforce Revolution -suodattimet ovat pumppusyötettyjä, paineistettuja ulkoinen suodatin ja UVC-yksiköjä, jotka voidaan asentaa joko maanpinnan yläpuolelle (Kuva 7) tai maanpinnalle (Kuva 8) lammen läheisyyteen tai pilottaa vesiputouksen yläosaan.
- Jos päätät asentaa suodattimen maanpinnan yläpuolelle, aseta suodatin tasaiselle, vaakasuoralle

alustalle.

Jos päätät upottaa suodattimen osittain, kaivannon on oltava täytetty tiukaksi tiivistetyllä hiekalla laitteen asianmukaiseksi tukemiseksi. Jos valitset tämän tyypin asennuksen, sinun on jätettävä vähintään 50 mm:n tila puristinvanteen ja maanpinnan välille, jotta sen irrottaminen vuosittaista huoltoa varten on helppoa.

3.4 Pieniläpimittaisten letkujen käyttö rajoittaa liikaa vesivirtausta. Mitä suurempi käyttämäsi letkun läpimitta on, sitä parempi on suodattimen suorituskyky, erityisesti pitkillä letkupituuksilla. Laitteen mukana toimitettuun letkuliitännään voidaan liittää 25mm (1"), 32mm (1¼") ja 40mm (1½") Cypriflex-letku. Suosittelemme aina 40 mm:n läpimittaisen letkun käyttöä Bioforce Revolution -suodattimien kanssa vesivirtauksen rajoittumisen välttämiseksi.

Valittuasi letkun läpimitan, leikkaa pois letkuliitimestä valitsemasi letkun läpimittaa pienemmät liitinkoot, jotta vesivirtaus ei rajoitu (Kuva 9).

Suodatinta syöttävän pumpun ja lampeen tulevan paluuletken tulisi olla mahdollisimman kaukana toistaan, jotta saadaan paras mahdollinen veden kierrätys. Ota tämä huomioon mitoittaessasi, ostaessasi ja katkaistessasi Cypriflex-letkun.

Liitä sopivan pituinen letku syöttöpumpun ja suodattimen tuloliitännän väliin (Kuva 10 (i)) kiinnittäen letku letkuliitännän erikseen saatavissa olevilla Hozelock Cypro -letkukiristimillä. Liitä sitten sopivan mittainen letku samalla tavalla suodattimen lähtöliitännään (Kuva 10 (ii)). Katso tiedot jätelähdöstä (Kuva 10 (iii)) luvusta "Puhdistus".

Laita pumppu lampeen sopivaan paikkaan ja laita suodattimen lähtöletkun pää siten, että suodatettu vesi virtaa takaisin lampeen.

Vältä letkujen sijoittamisessa kiertymiä ja jyrkkiä mutkia. Minimoi virtauksen rajoittuminen pitämällä letkupituudet mahdollisimman lyhyinä.

3.5 Varmista, että kiertokahva on sähkökotelon päällä. Ota toimitettu kiertokahva-/kansikokoanpano ja liitä se puhdistuskahvaan laittamalla se paikalleen kahvaan ja "klikkaamalla" paikalleen (Kuva 11).

Suodattimesi on nyt käyttövalmis.

Käyttö

- 4.1** Varmista, että ohitusventtiili on käännetty lammen lähtö -asentoon (kuva 12).
- 4.2** Liitä suodattimen syöttöjohto (ks. luku 1 – Turvallisuus ja sähköliitännät). Tämä laittaa päälle UVC-lampun. Voit tarkistaa lampun toiminnan katsomalla sinistä valoa UV-lampun merkivaloilinsissä kotolon päällä (Kuva 1 (c)).
- 4.3** Käynnistä pumppu.
- 4.4** **Käyttöajaksot:** Pidä suodatus päällä jatkuvasti (24 h). Ideaalisesti sen tulisi olla käynnissä ympäri vuoden, mutta sen on oltava käytössä vähintään koko ruokintasesonin (so. kunnes veden lämpötila on alle 10 °C). Pumppu ja suodattimen käyttö talvella ylläpitää Bioforce-laitteen hyödyllisen bakteerikannan perustason ja estää lammen pinnan jääytymisen umpeen. Jos sammutat pumpun talveksi, pese suodatin läpikotaisin ennen suodatuksen aloittamista

uudesta keväällä (ks. "Talvisäilytys", 11.0). Älä koskaan ruoki kalojasi, kun suodatin ei ole käytössä.

Kypsyminen

- 5.1 Biologinen kypsyminen tarkoittaa, että suodattimeen on muodostunut riittävästi tytetyksbakteereita muuttamaan haitallisen kala- ja muun orgaanisen jätteen (so. ammoniakki, nitriitti) suhteellisen harmittomaksi nitraatiksi. Prosessi vie tavallisesti 6-8 viikkoa, mutta se riippuu monista tekijöistä, kuten veden lämpötilasta, ruokintatiheydestä ja kalojen määrästä. Kypsymistä voidaan nopeuttaa lisäämällä kypsytyssainetta, kuten Hozelock Cyprio Filter Start..

Puhdistus

Milloin Bioforce Revolution tulee puhdistaa.

Bioforce Revolution -suodattimilla saadaan maksimi suorituskyky minimaalisella huollolla. Jos lampi on hyvin likainen, suodatin saattaa edellyttää puhdistusta aluksi muutaman päivän välein, koska se kerää jätettä hyvin nopeasti. Kun lampi puhdistuu, siitä poistetaan vähemmän jätettä ja suodatinta ei tarvitse puhdistaa yhtä usein. Paineistetut suodattimet ovat tehokkaimmillaan, kun vaahdotus suoritetaan osittain. Tukkeutumisen lisääntyessä virtausmäärä kuitenkin pienenee, koska vähemmän vettä pääsee virtaamaan vaahdon läpi ja puhdistaminen on jälleen tarpeen.

6.1 Sammuta pumppu sähkösyötöstä.

6.2 Liitä sopiva letkumäärä jätelähtöön (kuva 10(iii)) käyttäen toimitettua letkuliitintä ja letkukiristintä. Jäteletkun pää voidaan laittaa viemärin päälle tai kukkapenkkiin. Jätevesi on erinomaista lannoitetta.

6.3 Kierrä kahvaa useita kierroksia. Suosittelemme useita kierroksia sekä myötä- että vastapäivään (kuva 13). Kierrettäessä kahvaa keltaiset puhdistusterät (kuva 2 (g)) pyöriävät irrottaen vaahdotpalat toisistaan ja puristaen jokoista vaahdotpalaa ja irrottaen niiden keräämän jätteen.

6.4 Käännä ohitusventtiili jäte-asentoon (kuva 14). Kuulet "klik"-äänien.

6.5 Käynnistä pumppu.

6.6 Jatka kahvan kiertämistä (täysiä kierroksia molempiin suuntiin). Aluksi jätevesi on kirkkaan vihreää tai ruskeaa lammestasi riippuen.

Pienen ajan kuluttua jäteveden väri haalistuu ja vesi alkaa kirkastua. Lopeta kahvan kiertäminen tässä vaiheessa ja laita kahva takaisin säilytysasentoon pääkotelon päälle (kuva 15).

Odota 5 sekuntia, jotta viimeisetkin jätepalat huuhtoutuvat ulos ja käännä sitten ohitusventtiili takaisin lampi-asentoon.

VAROITUS: Venttiilin jättäminen jäte-asentoon tyhjentää lammen. Varmista, että venttiili on asetettu takaisin lampi-asentoon.

6.7 Suodattimen puhdistamiseen tarvittava aika riippuu useista tekijöistä, mutta mitä useammin puhdistat suodattimen, sitä lyhyempi puhdistusaika tarvitaan. Tavallisesti puhdistaminen vie muutamia minuutteja.

Tarvittaessa vettä on lisättävä lampeen korvaamaan puhdistuksen aikana poistettua jätevettä. Osittaiset vedenvaihdot ovat tärkeä tekijä terveen lammen vesijärjestelmän ylläpidossa.

Huolto

Varoitus: Lue nämä huolto-ohjeet ennen laitteen avaamista.

Varoitus: älä yritä poistaa kantta tai sähkökoteloa pumpun ja suodattimen ollessa käytössä. Kannessa on paikka riippulukolle kannen tahattoman avaamisen estämiseksi ja suosittelemme, että lukko käytetään, jos lasten läsnäolo on todennäköistä.

7.1 UV-lampun vaihto:

Varoitus: Laite on irrotettava sähkösyötöstä ennen UV-C-lähtetimen irrottamista.

UV-lampun tehokkuus pienenee huomattavasti aikaa myöten ja lamppu on siksi vaihdettava 12 kuukauden välein, vaikka lamppu toimisikin.

7.1.1 Ota pumpun ja suodattimen sähkösyöttö pois päältä.

7.1.2 Käännä ohitusventtiili jäte-asentoon. Tämä sallii sisäisen paineen tasaantumisen ilmanpaineeseen ja sähkökotelon helpon poiston ilman, että vettä nousee kannen yläpinnalle.

7.1.3 Kierrä puhdistuskahvaa puoli kierrosta niin, että se on pois sähkökotelon tieltä (kuva 16 (i)).

7.1.4 Käytä ruuvimeisseliä 5 ruuvien poistamiseen, jotka kiinnittävät sähkökotelon kanteen. (Kuva 16 (ii)). Suodattimen tulon ja lähdön välillä on tasku ruuvien säilyttämistä varten lampun vaihdon aikana (kuva 16 (iii)).

7.1.5 Tartu sähkökoteloon ja poista sähkökotelo vetämällä varovasti ylöspäin. Käännä kotelo ylösalaisin ja aseta se kuivalle tasaiselle pinnalle.

7.1.6 Kuva 17. Kierrä irti kvartsiputken lukituskaulus (i). Pidä kiinni varovasti kvartsiputkesta (ii), nosta ylöspäin ja poista putki yhdessä O-renkaiden (iii) ja lukituskaulusen kanssa.

7.1.7 Poista vanha lamppu vetämällä se varovasti pois pitimestään ja poista musta suojarahattu lampun päästä (kuva 17 (iv)) ja poista heijastinlevy (kuva 17 (v)). Hävitä vanha lamppu paikallisten määräysten mukaisesti ja laita uusi lamppu paikalleen.

7.1.8 Laita heijastinlevy ja musta hattu lampun päähän takaisin paikalleen.

7.1.9 Liu'uta kvartsiputki alas lampun päälle. Varmista, että kvartsiputken jalustan kaksi O-rengasta ovat puhtaista ja roskattomia.

7.1.10 Liu'uta lukituskaulus alas kvartsiputken päälle ja kierrä kiinni. Sinun on kierrettävä lukituskaulus, kunnes kaulusen pysäytin koskettaa kotelon pysäytintä ja kaulus ei voi kiertää enää enempää alaspäin.

7.1.11 Laita sähkökotelo takaisin paikalleen. Kotelo menee paikalleen vain yhdessä asennossa, joten älä yritä pakottaa sitä alaspäin. Kun kotelo on paikallaan, laita 5 ruuvia takaisin paikalleen. Ruuvit on kierrettävä täysin kiinni, jotta lukituskytkin aktivoituu.

7.1.12 Käännä ohitusventtiili takaisin lampi-asentoon ja käännä puhdistuskahva säilytysasentoon.

7.1.13 Käynnistä pumppu ja tarkista, ettei ole vuotoja ja laita sitten UV-valo päälle. Tarkista, että UV-merkkivalolinssissä näkyy sininen valo.

7.2 UV-kvartsiputken hoito:

Erityisesti veden ollessa kovaa UV-lamppua

suojaavaan kvartsiputkeen saattaa kerääntyä kalkkia. Tämä huonontaa laitteen tehokkuutta, jos kalkin annetaan kerääntyä. Puhdista sammuttamalla pumppu ja ottamalla pois päältä UV-putken sähkösyöttö. Poista sitten sähkökotelo luvun 7.1 mukaisesti ja pyyhi kvartsiputki pehmeällä kankaalla, joka on kostutettu mietoon puhdistusaineeseen, kuten etikka (ks. kuva 18). Sinun on käytettävä suojalaseja ja käsineitä puhdistaussasi kvartsiputkea.

7.3 Cypricube-vaahdon vaihto:

Tarkista vahto vuosittain. Vaahdon vaihtoväli riippuu lammestasi. Suosittelemme vaahdon vaihtamista talven aikana ja ennen kalojen ruokinnan aloittamista uudestaan keväällä*. Vaahdon vaihtaminen muina vuodenaikoina saattaa aiheuttaa lammen kemiallisen tilan muuttumisen ja se voi olla haitallista kaloillesi.

*Lammen veden jäähtyessä syksyllä, kalojen liikehdintä hidastuu niiden valmistautuessa puolittaisen horrostilan ajanjaksoon. Kalojen ruoansulatus- ja immuunijärjestelmät hidastuvat, eivätkä ne kykene sulattamaan saman tyypisiä ruokia kuin lämpimämpien kuuksien aikana. Jos ne ovat nälkäisiä ne syövät yksinkertaisempia ruokia, joita esiintyy luonnostaan lampiympäristössä. Tämän vuoksi kalojen ruokinta tulee lopettaa lammen veden laskiessa alle 10 °C:n lämpötilaan pidemmäksi aikaa. Voit aloittaa kalojen ruokinnan uudestaan vähitellen sää alkaessa lämmentä kevään alussa ja kalojen tullen aktiivisemmiksi

7.3.1 Sammuta pumpun ja suodattimen sähkösyöttö.

7.3.2 Käännä ohitusventtiili jäte-asentoon. Tämä sallii sisäisen paineen tasaantumisen ilmanpaineeseen, jolloin kannen poistaminen on helppoa.

7.3.3 Vapauta kannen puristin (Kuva 2(n)). Vapauta ja poista kansi varovasti käyttäen kahta vipua vastakkaisissa urissa (kuva 19). Liitettyjen letkujen poistaminen voi myös auttaa.

7.3.4 Nosta ja poista vaahtoastia (kuva 2(i)) ja hävitä vanha vahto. Tyhjennä pois vesi suodatinastian sisäpuolelta keräten talteen verkossa oleva bio-väliaine. Bio-väliaine ei tarvitse mitään huoltoa.

7.3.5 Jos astian pohja on lietteen peitossa, puhdista liete pois lammen vedellä.

7.3.6 Laita bio-väliaine paikalleen varmistaen sen olevan bio-supplon ympärillä (kuva 2(o)) astian pohjalla. Bio-väliainetta ei saa olla bio-supplon sisäpuolella (kuva 20).

7.3.7 Aseta vaahtoastia suodatinastian. Kierrä vaahtoastia, kunnes vaahtoastian päällä olevat pienet kolmiot ovat kohdakkain jonkun suodatinastian sisäpuolella olevan pystysuoran linjan kanssa (kuva 21). Vaahtoastia putoaa paikalleen. **Varmista vaahtoastian olevan oikein paikallaan, jolloin kannen asettaminen on helppoa.**

7.3.8 Täytä vaahtoastia suositellulla määrällä Cypricube-vaihtovaahtoa. Älä huolestu, jos uudet kuivat vaahtopalat tarvitsevat uusina hieman enemmän tilaa. Varmista, ettei vaahtoa putoa alas keskiakusta bio-supplialueelle.

Älä koskaan purista vaahtoa saadaksesi sitä mahtumaan enemmän. Kuivaa vaahtoa on lisättävä löysästi asettaen ja vaahtoa ei saa olla yli

suodatinastian korkeuden (kuva 22). Liian suuren vaahtomäärän lisääminen tekee suodattimen puhdistuksen vaikeammaksi.

7.3.9 Varmista, että tiiviste (kuva 2(l)) suodatinastian yläpäässä on paikallaan ja ettei siinä ole liikaa ja roskia. Lisää tiivisteeseen tarvittaessa ohut kerros silikonirasvaa kokoonpanon helpottamiseksi. Laita kansi takaisin paikalleen. Liu'uta UV-lampun kattava musta keskiputki alas keskireiän läpi.

7.3.10 Laita kannen puristinvanne takaisin paikalleen. Varmista, ettei vannepuristimen alle ole kerääntynyt vettä ja jätä saranoito vipu voideltuna käyttäen öljypohjaista voiteluainetta.

7.3.11 Käännä ohitusventtiili takaisin lampi-asentoon ja laita puhdistuskahva säilytysasentoon.

7.3.12 Käynnistä pumppu ja tarkista, ettei ole vuotoja. Laita sitten UV-lamppu päälle. Tarkista, että UV-merkkivalolinsissä näkyy sininen valo.

Talvisäilytys

8.1 Laitte voidaan sammuttaa kylmällä talvisäällä (kun kalat ovat puolihorroksessa ja leväkasvu on pysähtynyt). Laitte voidaan sitten poistaa, pestä läpikotaisin, puhdistaa ja kuivata ja säilyttää kuivassa, pakkaselta suojatussa tilassa. Säilytä laitetta aina kansi irrotettuna riittävän tuuletuksen ja kuivumisen varmistamiseksi.

Vianmääritys / usein kysytyt kysymykset/questions

Ongelma	Mahdollinen syy	Toimenpide
Vettä ei virtaa suodattimen läpi lampeen.	Syöttöpumppu ei ole päällä tai se ei toimi.	Tarkista, että pumppu on päällä ja toimii.
	Syöttöletku on tukossa.	Tarkista syöttöletku ja paluuletku lampeen, ettei niissä ole tukoksia.
	Ohitusventtiili on jäte-asennossa.	Käännä ohitusventtiili lampi-asentoon.
Virtausmäärä suodattimen läpi on pienentynyt	Vaahtopalat ovat tukkeutuneet.	Puhdista suodatin (ks. "Puhdistus").
	Syöttöletku tukkeutunut.	Tarkista, ettei syöttöletkussa ja paluuletkussa lampeen ole tukoksia.

Ongelma	Mahdollinen syy	Toimenpide
Vesi ei muutu kirkkaaksi	Uusi suodatin ei ole vielä "kypsynyt".	Lammen veden kirkkauden tulisi alkaa kohentua 2-3 viikossa, mutta suodattimen biologinen kypsyminen täysin tehokkaaksi voi viedä 6-8 viikkoa.
	Väärän kokoinen suodatin lammellesi.	Tarkista, että käytät lampesi tyyppille asianmukaista suodatinta.
	Väärän kokoinen syöttöpumppu.	Tarkista virtausmääräsi. Ks. 2.2.
	Palanut UV-lamppu.	Tarkista UV-merkkivalon linssi. Vaihda UV-lamppu.
	Vanha UV-lamppu.	Vaihda UV-lamppu 12 kuukauden välein.
	Vaahtopalat tarvitsevat puhdistuksen.	Puhdistu suodatin (ks. "Puhdistus").
	Lammen paluuletkun lähtö on syöttöpumppua ylempänä.	Siirrä pumppu tai lammen paluuletkun lähtö mahdollisimman kauas toisistaan.
Lammassa on liikaa kaloja.	Vähennä kalojen määrää lammassa.	
Liikaruokinta.	Ruoki kalojasi vain ruokamäärällä, jonka ne käyttävät muutamassa minuutissa. Ruoki vain kerran päivässä.	
Puhdistuskahva ei käänny.	Pumppu on käynnissä aloitettaessa puhdistus.	Sammuta pumppu. Kierrä kahvaa kumpaankin suuntaan useita kertoja. Käynnistä pumppu (ks. "Puhdistus").

Hozelock Cyprio -kirkasvesitakuu

TAKAAMME ETTÄ VESI KIRKASTUU TAI SAAT RAHASI TAKAISIN käyttäessäsi Hozelock Cyprio Bioforce Revolution -laitetta asianmukaisen pumpun kanssa. Tämä takuu on voimassa 12 kuukautta ostosta edellyttäen, että

- Olet noudattanut asennus- ja käyttöohjeita.
- Käytät oikean kokoista laitetta Hozelock Cyprio'n koonvalintatietojen mukaisesti.
- Olet yhteydessä palvelulinjaamme (0121 313 1122) riittävän ajoissa kaikkien ongelmien korjaamiseksi.
- Tuote on palautettu vahingoittumattomana.

Korvauksen voi valtuuttaa vain Hozelock Cyprio ja se tehdään vain ostopaikalla vain suodattimen ostohinnalle. Huomaa, että Clearwater-takuu ei kata veden kirkkauden menetystä,

kun syynä on peittävä sinileväkasvu, eikä vihreä leväkasvu.

Hozelock Cyprio 2 vuoden takuu

Jos Bioforce Revolution (lamppu poislukien) tulee huoltamattomaan kuntoon 2 vuoden aikana ostosta laskien, korjaamme tai vaihdamme sen harkintamme mukaan veloituksetta, ellei laite ole mielestämme vaurioitunut. Vastuuta ei hyväksytä vaurioille, jotka johtuvat onnettomuudesta, väärästä asennuksesta tai käytöstä. Vastuu rajoittuu viallisen laitteen vaihtoon. Takuu ei ole siirrettävissä. Takuu ei vaikuta lakisääteisiin oikeuksiisi. saadaksesi tämän takuun edut, ota ensiksi yhteyttä Hozelock Cyprio -asiakaspalveluun (0121 313 1122), joka saattaa pyytää laitteen lähettämistä yhdessä ostotositteen kanssa suoraan alla annettuun osoitteeseen.

Yhteystiedot / varaosat

www.hozelock.com

Tekniset tiedot

Osanumero	1352	1353	1354
Alue	Bioforce Revolution		
Voittoa (V)	230V 50Hz		
UVC-teho (W)	18	24	36
Maksimi lammen koko kalojen kanssa	6 000 l (1 320 gal)	9 000 l (1 980 gal)	14 000 l (3 080 gal)
Maksimi lammen koko ilman kaloja	12 000 l (2 640 gal)	18 000 l (3 960 gal)	28 000 l (6 160 gal)
Maksimi Hozelock Cyprio Aquaforce -pumppukoko (l/h)	4000	6000	8000
Maks. virtaus, Qmaks, (l/h)	3000	4500	7000
IP-luokitus	IP57	IP57	IP57
Maks. veden lämpötila Tmaks., (°C)	35°C	35°C	35°C
Bioforce Revolution -puhdistusjärjestelmä	✓	✓	✓

* Mitattu valvotuissa olosuhteissa



Älä hävitä sähkölaitteita lajittelemattomana yhdyskuntajätteenä, käytä erillisiä keräyspisteitä. Ota yhteys paikallisviranomaisiin koskien käytettävissä olevia keräysjärjestelmiä. Jos sähkölaitteita hävitetään täyttömaahan tai kaatopaikoille, vaarallisia aineita voi vuotaa pohjaveteen ja päästä ruokaketjuun vahingoittaen terveyttä ja hyvinvointia. EU-alueella, vaihdettaessa laitteita uusiin, jälleenmyyjä on lakisääteisesti velvollinen ottamaan vastaan vanhan laitteesi hävitystä varten vähintäänkin ilmaiseksi.

Tak fordi du valgte et kvalitetsprodukt fra Hozelock. Du kan være sikker på, at dette produkt fungerer pålideligt.

- a** Elektrisk hus.
- b** Dækselenhed.
- c** UV-lampens indikatorlinse.
- d** Rensehåndtagets greb.
- e** Rensehåndtag.
- f** Afledningsventil.
- g** Rørepinde (gule).
- h** UV-kappe.
- i** Skumbalje.
- j** Cypricube-skum.
- k** Biomedier.
- l** Beholderens O-ring-forsegling.
- m** Filterbeholder.
- n** Lågets spændebånd.
- o** Biotragt.
- p** Slangestuds og møtrik.
- q** Håndtag.

INSTALLATIONS- OG DRIFTSVEJLEDNING



LÆS DENNE VEJLEDNING GRUNDIGT IGENNEM, FØR INSTALLATION FØRSØGES.

HVIS DE FØLGENDE ADVARSLER IKKE FØLGES, KAN DET MEDFØRE PERSONSKADE, BESKADIGELSE AF PRODUKTET ELLER TAB AF FISK.

GEM DENNE VEJLEDNING TIL SENERE BRUG.

Denne Hozelock Cyprio Bioforce Revolution er et helt nyt begreb inden for bassinfiltrering.

Den er :

- Kompakt og effektiv
- Nem at installere.
- Problemfri at rengøre og vedligeholde.
- Kan anbringes næsten hvor som helst.

Når den bruges sammen med en behørig bassinpumpe, vil den forbedre vandets klarhed, fjerne uønskede faststoffer fra bassinet og omdanne opløst organisk og kemisk fiskeaffald til harmløse stoffer.

Pas på: Advarsel - UV

Dette apparat indeholder en UV-C strålingskilde. Utsigtet brug af apparatet eller beskadigelse af huset kan medføre udslip af farlig UV-C-stråling. UV-C stråling kan selv i små doser beskadige øjne og hud. Lampen er forsynet med en blokeringsindretning, der vil slukke lampen, hvis det elektriske hus åbnes.

Når lampen er tændt, kan du kontrollere dens drift ved at se efter, om der er et blåligt lys fra UV-indikatorlinsen. Produktet må ikke være i drift, uden at vand strømmer gennem det.

Advarsel: Forsøg ikke at anvende UV-C strålingskilden, når den er fjernet fra apparatets hus.

Vigtigt

Apparatet er ikke beregnet til at blive brugt af personer (inklusive børn) med reducerede fysiske, sensoriske eller mentale evner, eller som ikke har erfaring med eller kendskab til det, medmindre de har modtaget supervision eller vejledning vedrørende brug af apparatet af en person, der er ansvarlig for deres sikkerhed. Børn skal overvåges for at sikre, at de ikke leger med apparatet. Hvis dette apparat tydeligvis er beskadiget, må det ikke anvendes.

Advarsel: Sikkerhed og elektriske forbindelser

- 1.1 ADVARSEL: MAN SKAL ALTID TAGE STIKKET UD AF KONTAKTEN ELLER KOBLE ALT BASSINUDSTYR FRA FORSYNINGSNETTET, FØR MAN PUTTER HÆNDERNE NED I VANDET, NÅR UDSTYRET INSTALLERES, REPARERES, VEDLIGEHOLDES ELLER HÅNTERES.**
- 1.2** Dette filter er kun beregnet til brug i hoveddam. Brug ikke dette filter til noget andet formål (brug f.eks. ikke dette filter i swimmingpools, etc.). Hvis dette produkt bruges til andre formål, kan det medføre personskaade eller beskadigelse af produktet.
- 1.3** Apparater, der tydeligvis er beskadiget, må ikke anvendes.
- 1.4** Det klare rør i enheden er lavet af kvartsglas, og der skal udvises forsigtighed under installation og vedligeholdelse. Vi anbefaler at benytte øjenværn og egnede handsker.
- 1.5** Dit Bioforce Revolution-filter er vejrfast, men ikke undervandstæt. Placér enheden lodret i nærheden af bassinet, men ikke hvor den kan falde ned i vandet, eller hvor jorden kan blive vandfyldt (Se afsnittet "Installation").
- 1.6 Vigtigt:** Produktet leveres med 5m trelederkabel. Ledningsstikket, der leveres med dette produkt, er ikke vandtæt, og det skal tilsluttes til forsyningsnettet i en tør, vejrbestandig indkapsling i overensstemmelse med de lokale bestemmelser.
- 1.7 ADVARSEL:** Dette apparat SKAL jordforbindes, og det er vigtigt, at forbindelserne etableres ved hjælp af følgende kode:
 - Brun - strømførende
 - Blå - neutral
 - Grøn/gul - jord.
- 1.8** Udsatte kabler skal placeres med omtanke og beskyttes med armerede kabelrør, især hvis der er risiko for kontakt med haveredskaber som gravegrebe og græsslåmaskiner eller børn og husdyr.
- 1.9** En fejlstrømsafbryder (RCD) på maksimalt 30mA SKAL monteres til forsyningsnettet.
- 1.10** Permanente installationer på forsyningsnettet (fast monterede forbindelser) skal overholde de lokale elmyndigheders krav. Kontakt en faglært elektriker eller de lokale elmyndigheder, hvis du skulle være i nogen som helst tvivl om, hvordan ledningsføringen tilkobles til forsyningsnettet.

- 1.11 Brug aldrig netledningen eller renehåndtaget til at løfte eller flytte filteret, da det kan medføre beskadigelse. Hvis filteret skal flyttes, skal produktet slukkes og tømmes for vand først. Løft derefter produktet ved at tage fat i det område, hvor låget er spændt fast på hovedbeholderen.
- 1.12 Man må aldrig sidde på eller læne sig op ad renehåndtaget! (Fig. 4).
- 1.13 Løft aldrig filteret ved at bruge renehåndtaget. Bær altid enheden med to hænder ved at tage et fast greb om lågets kant (Fig. 5).
- 1.14 Anvend ikke filteret, uden at vand strømmer gennem det.
- 1.15 Udløb må ikke blokeres, mens filtret anvendes.
- 1.16 Anvend ikke dette produkt, hvis netledningen på nogen måde er blevet beskadiget. Netkablet kan ikke udskiftes. Hvis ledningen er beskadiget, skal det elektriske hus kasseres i overensstemmelse med lokale bestemmelser.
- 1.17 Beskyt enheden mod frost, hvis den ikke skal være i drift hele året. (Se afsnittet "Vinterpleje").
- 1.18 Beskyt filteret mod direkte sollys.
- 1.19 Dette produkt er ikke egnet til vandtemperaturer over 35 °C eller under 0 °C.
- 1.20 Brug kun tilbehør, der er beregnet til brug på dette produkt. Hvis andet tilbehør eller reservedele bruges, kan garantien bortfalde.

Generel vejledning

- 2.1 Skemaet over tekniske specifikationer på omstående side giver generel vejledning vedrørende specifikationerne for filteret og den anbefalede pumpe. For at opnå de bedste resultater bør visse andre forholdsfaktorer dog også tages i betragtning, da de kan indvirke på filterets ydelse.
- **Bassinets dybde:** Hozelock Cyprio anbefaler en dybde på mindst 1,2m for Koi-bassiner. For et bassin med en gennemsnitlig dybde på mindre end 0,75m er forholdsfaktoren + 25 %. Sollyset trænger helt ned til bunden i lavvandede bassiner, og de varmes hurtigt op. Dette fremmer algevækst.
 - **Placering:** Bassinets placering bestemmer den daglige mængde sollys og skygge, som bassinet modtager. Bassiner, som udsættes for sollys hele dagen, har en forholdsfaktor på +25 %.
 - **Klima:** Klimaet har indflydelse på vandtemperaturen og fiskenes aktivitetsniveau/fodringskrav. Jo mere aktive fiskene er, jo større krav stilles der til filtreringssystemet. I varme klimaer (f.eks. i Sydafrika) er forholdsfaktoren +35 %. I tempererede klimaer (f.eks. i Sydeuropa) er forholdsfaktoren +15 %. I et nordeuropæisk klima (f.eks. i de fleste områder i Storbritannien) er forholdsfaktoren +0 %.
 - **EKSEMPEL:** Du har et 2200 liter guldfiskebassin, der er 0,75m dybt (forholdsfaktor +25 %). Du bor i London - et nordeuropæisk klima (forholdsfaktor +0 %). Bassinet er udsat for fuldt sollys (+25 %). Dit bassins effektive volumen er derfor forøget med 50 % (25 % + 25 %), og du er derfor nødt til at udvælge dit udstyr, som om dit bassin indeholder 3300 liter.

- 2.2 **Strømningshastighed:** For de bedste resultater skal bassinvolumenet gå igennem BioForce Revolution hver 1½ - 2½ timer. Den hurtigste strømningshastighed anbefales til Koi-bassiner. Den maksimale hastighed må ikke overskrides som anført i skemaet over tekniske specifikationer på omstående side. Den korrekte strømningshastighed er absolut afgørende for at opnå klart vand. Hvis din installation ikke er udsat for høje tab (f.eks. lange slangelængder), vil det måske være nødvendigt at justere strømmingen med en strømningskontrolhane for at opnå cirkulationshastigheden på 1½ - 2½ timer.

Slanger med en lille diameter, unødvendigt lange slangelængder samt højt pumpeløft (trykhøjde) kan alle reducere en pumpes ydelse betragteligt. Vi anbefaler, at man vælger en pumpe, som vil levere den ønskede gennemstrømning mod samlet statisk løft (= lodret afstand mellem bassinoverflade og filterindløb), plus 0,6m for at tage hensyn til friktionstab i slangerne.

Hensigten med filtrering er at overføre affaldsstoffer fra bassinet til filteret, og enhver pumpe, der bruges som en del af pakken, skal derfor være i stand til at håndtere partikler. Nogle eksempler på sådanne pumper er Hozelock Cyprios udvalg af Aquaforce-pumper, der er særligt konstrueret til bassiner inden for det størrelsesudvalg, som BioForce Revolution dækker. Pumpen bør placeres på den dybeste del af bassinet for at sikre den bedste vandcirkulation i bassinet og maksimere pumpeens evne til at håndtere partikler. Pumpen bør installeres på en flad, vandret platform, der er løftet 300 mm over bassinets bund. Dette forhindrer, at pumpen suger snavs direkte fra bassinets bund, og det sikrer også, at der forbliver en tilstrækkelig mængde vand i bassinet, hvis vand utilsigtet lækker ud af bassinet.

Sådan kontrolleres strømningshastigheden: Tag en beholder med et kendt indholdsvolumen og se hvor lang tid, det tager at fylde den (i sekunder). Divider 3600 med det antal sekunder, det tog at fylde beholderen og gang dette tal med beholdervolumenet (i liter). Resultatet vil være strømningshastighed i liter pr. time (lpt).

- 2.3 **Fiskebestand og mængde:** Under normale forhold og fodringsregime, vil Bioforce Revolution-udvalget kunne opretholde op til 50cm pr. 1000 liter bassinkapacitet. Tilføj fiskene langsomt i løbet af de første uger - op til 20 % af det anbefalede maksimumniveau - og forøg derefter dette til 50 % efter seks måneder, hvis det ønskes. Restkapaciteten vil tillade fiskevækst.
- 2.4 **Behandlinger i bassinet:** UVC stråling kan nedbryde nogle medikamenter/behandlinger meget hurtigt. Overvej, om filteret bør slukkes ved sygdomsbehandling. Den mekaniske og biologiske filtrering vil fortsætte med at være i drift.
- Hvis du behandler dit bassing for englæder, skal du slå din pumpe og filtret fra, mens behandling finder sted, indtil det behandlede englæder er fjernet fra bassinet.
- 2.5 Slangetilslutninger skal håndteres særligt varsomt, da lækager vil forårsage vandtab i bassinet.

Installation

- 3.1** **Vigtigt:** Brug ikke en pumpe med en strømningshastighed på over 8000 lpt eller en maksimal trykhøjde på over 5m sammen med Bioforce Revolution filtre.
- 3.2** **Vigtigt:** Bioforce Revolution filtre må kun installeres i lodret position (Fig. 6).
- 3.3** Bioforce Revolution filtre er pumpetilførte, eksterne trykfiltere og UVC enheder, der er egnede til at blive installeret over jorden (Fig. 7) eller i jorden (Fig. 8) ved siden af dit bassin. Filteret kan også skjules ved toppen af et vandfald.

Hvis du vælger at installere dit filter over jorden, skal du placere filteret på en flad, vandret overflade.

Hvis du vælger at begrave dit filter delvist, skal udgravningen efterfyldes med godt sammenpresset sand, så enheden understøttes. Hvis du vælger denne type installation, bør du sørge for, at der er en afstand på mindst 50mm mellem jordoverfladen og spændebandet, så det nemt kan fjernes med henblik på årlig vedligeholdelse.

- 3.4** Hvis der bruges slanger med lille diameter, resulterer det i kraftig begrænsning af vandstrømmen. Jo større diameteren er på den slange, du bruger, jo bedre er filterets ydelse, især ved lange slangelængder. De slangestuds, der følger med enheden, passer til Cypriflex-slanger på 25mm (1"), 32mm (1¼") og 40mm (1½"). Vi anbefaler, at slangen med en diameter på 40mm altid bruges på Bioforce Revolution filtre for at undgå begrænsning af vandstrømmen.

Når du har valgt en slangediameter, skal du skære de trin af slangestudsen, der er mindre end slangediameteren, for at forhindre begrænsning (Fig. 9).

Pumpen, der forsyner filteret, og udløbet på bassinets returslange skal være placeret så langt fra hinanden som muligt med henblik på optimal vandcirkulation, så tag dette i betragtning, når du køber, måler og tilskærer Cypriflex-slangen.

Monter en slange med en passende længde mellem forsyningspumpen og filterets indløb (Fig. 10 (i)), og fastgør slangen til slangestudserne ved hjælp af Hozelock Cyprio slangeklemmer, der leveres separat. Monter derefter en slange med en passende længde på filterets udløb (Fig. 10 (ii)) på samme måde. For oplysninger om affaldsudløbet (Fig. 10 (iii)) henvises der til afsnittet "Rengøring".

Anbring pumpen i bassinet på et egnet sted, og placér enden af udløbsslangen, således at filtreret vand returneres til bassinet.

Undgå knæk og skarpe bøjninger, når du placerer slangerne. Sørg for, at slangelængderne er så korte som muligt for at minimere begrænsning af strømmen.

- 3.5** Sørg for, at rensenhåndtaget er placeret over det elektriske hus. Tag det medfølgende greb til rensenhåndtaget, og monter det på rensenhåndtaget ved at anbringe det på håndtaget og klikke det på plads (Fig. 11).

Dit filter er nu parat til brug.

Drift

- 4.1** Sørg for, at afledningsventilen er drejet til bassinets udløb (Fig. 12).
- 4.2** Tilslut filterets netledning (se afsnit 1 – Sikkerhed og elektriske forbindelser). Dette slår UVC lampen til. Du kan kontrollere, om lampen er i drift ved at se efter, om der er et blåt lys i UV-lampens indikatorlinse i tophuset (Fig. 1 (c)).
- 4.3** Tænd for pumpen.
- 4.4** **Driftstid:** Filteret skal køre 24 timer i døgnet. Det bør helst køre hele året rundt, men skal i det mindste køre i hele fodringsæsonen (dvs. indtil vandtemperaturen kommer ned under 10 °C). Ved at lade pumpen og filteret køre om vinteren vil der blive opretholdt et vist indhold af nyttige bakterier i Bioforce, og dette vil bidrage til at forhindre, at bassinet fryser til. Hvis pumpen slukkes for vinteren, skal filteret vaskes grundigt før filtreringen påbegyndes om foråret (se 'Vinterlagring', 11.0). Fiskene må aldrig fodres, når filteret ikke er i brug.

Modning

- 5.1** Biologisk modning betyder, at filteret har opbygget nok nitrificerende bakterier til at omdanne skadeligt fiske- og andet organisk affald (dvs. ammoniak, nitrit) til nitrat, som er relativt uskadeligt. Denne proces tager normalt 6-8 uger, men afhænger af mange faktorer såsom vandtemperatur, fodringshyppighed og fiskebestand. Modningen kan fremskyndes ved at tilsætte et modningsstof såsom Hozelock Cyprio Filter Start..

Rengøring

Rengøring af Bioforce Revolution.

Bioforce Revolution filtre giver maksimal ydelse med minimal vedligeholdelse. Hvis bassinet er meget snavset, kan det i begyndelsen være nødvendigt at rengøre filteret flere gange med få dages mellemrum, da det vil opsuge store mængder affaldsstoffer. Når bassinet bliver klarere, betyder det, at der er mindre affald, der skal fjernes, og filteret behøver ikke rengøring så ofte. Trykfiltere er mest effektive, når skummet bliver delvist tilstoppet. Men efterhånden som denne tilstopning øges, falder strømningshastigheden, da mindre vand kan strømme gennem skummet, og det bliver nødvendigt at rengøre filteret.

- 6.1** Sluk for pumpen ved forsyningsnettet.
- 6.2** Monter en slange med en passende længde på affaldsudløbet (Fig. 10(iii)) ved hjælp af den medfølgende slangestuds og en slangeklemme. Enden af affaldsslangen kan placeres over et vandafløb eller et blomsterbed. Affaldsvandet er udmærket som gødning.
- 6.3** Rotér håndtaget flere gange. Vi anbefaler at foretage flere omdrejninger med håndtaget, både med og mod uret (Fig. 13). Mens håndtaget roteres, vil de gule rørepinde (Fig. 2 (g)) rotere, så hver skumterning løsriver og sammenpresses. På denne måde frigøres affald, som de har opsamlet.
- 6.4** Drej afledningsventilen til affaldsposition (Fig. 14). Du hører et "klik".
- 6.5** Tænd for pumpen.

- 6.6** Fortsæt med at rotere håndtaget (Foretag omdrejninger i begge retninger). I begyndelsen vil affaldsvandet have en stærk grøn eller brun farve, alt efter dit bassins opsætning.

Efter et kort tidsrum aftager intensiteten af affaldsvandets farve, og vandet begynder at blive klart. På dette tidspunkt skal du stoppe rotationen af håndtaget og sætte det tilbage til dets standby-position over hovedhuset (Fig. 15).

Vent i 5 sekunder, indtil de sidste stumper af affald er skyllet ud, og drej afledningsventilen tilbage til bassinposition.

ADVARSEL: Hvis ventilen forbliver i affaldsposition, tømmes bassinet. Sørg for, at den drejes tilbage til bassinets udløb.

- 6.7** Den tid, det tager at rengøre dit filter, afhænger af flere faktorer, men jo hyppigere du rengør filteret, jo kortere tid tager det. Rengøringen tager normalt nogle få minutter.

Det er af og til nødvendigt, at du fylder vand på bassinet for at kompensere for det affaldsvand, der blev fjernet under rengøringen. Delvise udskiftninger af vand er et vigtigt aspekt med hensyn til at bevare et sundt vandssystem i bassinet.

Vedligeholdelse

Advarsel: Læs denne vejledning i vedligeholdelse, før apparatet åbnes.

Advarsel: Forsøg ikke at fjerne låget eller det elektriske hus, mens pumpen og filteret er i drift. Enheden er udstyret med et lille hul i lågets spændebånd, hvori man kan sætte en hængelås for at forhindre utilsigtet åbning, og vi anbefaler at denne mulighed bruges, hvor børn kan få adgang til enheden.

7.1 Udskiftning af UV-lampen:

Advarsel: Apparatet skal frakobles fra strømforsyningen, før UV-C strålingskilden frakobles.

En UV-lampes effektivitet reduceres betydeligt med tiden, så du bør udskifte din lampe hver 12. måned - selv hvis lampen stadig fungerer.

- 7.1.1** Sluk for strømmen til forsyningspumpen og filteret.
- 7.1.2** Drej afledningsventilen til affaldsposition. Dette udligner det indre tryk med atmosfærisk tryk og gør det nemt at fjerne det elektriske hus, uden at vand trækkes op på lågets øverste overflade.
- 7.1.3** Drej renehåndtaget en halv omgang, så det ikke er i vejen for det elektriske hus (Fig. 16 (i)).
- 7.1.4** Brug en skruetrækker til at fjerne de 5 skruer, der fastgør det elektriske hus til låget. (Fig. 16 (ii)). Der er et rum mellem filterets indløb og udløb, hvor skruer kan opbevares, mens du udskifter lampen (Fig. 16 (iii)).
- 7.1.5** Tag fat i det elektriske hus, og træk det forsigtigt op for at fjerne det. Vend huset med bunden i vejret, og anbring det på en tør, vandret overflade.
- 7.1.6** Fig. 17. Skru kvartsrørets låsering af (i). Hold kvartsrøret forsigtigt (ii), løft det op, og fjern det sammen med dets O-ringe (iii) og låsering.
- 7.1.7** Fjern den gamle lampe ved at trække den forsigtigt ud af dens holder, og fjern den sorte beskyttelseshætte fra lampens ende (Fig. 17 (iv)), og fjern reflektorpladen (Fig. 17 (v)). Kassér den gamle

lampe i overensstemmelse med lokale bestemmelser, og monter den nye lampe.

- 7.1.8** Genmonter reflektorpladen, og skub den sorte hætte på plads på lampens ende.
- 7.1.9** Skub kvartsrøret ned over lampen. Sørg for, at de to O-ringe ved bunden af kvartsrøret er rene og fri for snavs.
- 7.1.10** Skub låseringen ned over kvartsrøret, og skru den ned på plads. Skru den nedad, indtil låseringens stopper rammer husets stopper, således at ringen ikke kan skrues mere nedad.
- 7.1.11** Genmonter det elektriske hus. Huset kan kun monteres i én position, så forsøg ikke at tvinge det ned. Genmonter de 5 skruer, når huset er på plads. Skrueerne skal skrues helt ned for at sikre, at aflåsningskontakten aktiveres.
- 7.1.12** Drej afledningsventilen tilbage til bassinposition, og sæt renehåndtaget i dets standby-position.
- 7.1.13** Genstart pumpen først, og kontrollér for lækager. Tænd derefter for UV-lampen. Kontrollér, at der er et blåtligt lys fra UV-indikatorlinsen.
- 7.2** **Sådan plejes UV-kvartsrøret:**

Kvartsrøret kan blive dækket med kalkbelægninger, især i områder med hårdt vand. Dette vil reducere effektiviteten. Rengøring: sluk for pumpen og strømtilførslen til UV-enheden, tag det elektriske hus ud, som beskrevet i 7.1, og tør kvartsrøret af med en blød klud, der er fugtet med et mildt rensmiddel som f.eks. eddike (Se Fig. 18). Når du rengør kvartsrøret, bør du bære beskyttelsesbeklædning såsom beskyttelsesbriller og handsker.

7.3 Sådan udskiftes Cypricube-skum:

Kontrollér skummet årligt. Hvor ofte skum skal udskiftes kommer an på dit bassins opsætning. Vi anbefaler, at skum udskiftes om vinteren, og før du begynder at fodre fisk igen i starten af foråret*. Hvis skum udskiftes på andre tider af året, kan det forårsage ændringer i bassinets kemi, hvilket kan skade dine fisk.

*Når bassinets vand afkøles om efteråret, bliver fisks tempo langsommere, idet de forbereder sig på en periode med semi-dvale. Deres fordøjelses- og immunsystemer arbejder langsommere, og de er ikke i stand til at fordøje de samme typer af føde som i de varmere måneder. Hvis de er sultne, vil de æde mere simpel føde, der forekommer naturligt i bassinmiljøet. Derfor bør du stoppe med at fodre dine fisk, når bassinets vandtemperatur falder under 10 °C i en længere periode. Når vejret bliver varmere i starten af foråret, og fiskene begynder at blive mere aktive, kan du gradvist begynde at fodre dine fisk igen.

- 7.3.1** Sluk for strømmen til forsyningspumpen og filteret.
- 7.3.2** Drej afledningsventilen til affaldspositionen. Dette udligner det indre tryk med atmosfærisk tryk og gør det nemt at fjerne låget.
- 7.3.3** Frigør lågets spændebånd (Fig. 2(n)). Løsn forsigtigt låget og tag det ud ved hjælp af de 2 stænger i rillerne overfor hinanden (Fig. 19). Det kan være lettere, hvis du fjerner de monterede slanger.
- 7.3.4** Løft og fjern skumbaljen (Fig. 2(ii)), og kassér det gamle skum. Tøm vandet, der er inden i filterbeholderen, og saml biomediet op i et net. Biomediet kræver ingen

vedligeholdelse.

- 7.3.5** Hvis bunden af beholderen er dækket af et pløret lag, skal du gennemskylle bunden af beholderen med noget bassinvand.
- 7.3.6** Sæt biomediet på plads, og sørg for, at det er placeret rundt om biotragten (Fig. 2(o)) ved bunden af beholderen. Der må ikke være biomedie inden i biotragten (Fig. 2o).
- 7.3.7** Anbring skumbaljen i beholderen. Drej skumbaljen, indtil de små trekanter øverst på skumbaljen er ud for én af de lodrette linjer på indersiden af filterbeholderen (Fig. 21). Skumbaljen vil falde på plads. **Sørg for, at skumbaljen er placeret korrekt, så det er let at anbringe låget.**
- 7.3.8** Fyld skumbaljen med den anbefalede mængde af Cypricube-udskiftningsskum. Der er ingen grund til bekymring, hvis de nye tørre skumterninger fylder lidt mere, når de er nye. Sørg for, at intet skum falder ned til biotragten gennem hullet i midten.
- Pres aldrig skum ned for at få plads til mere. Det tørre skum skal påfyldes løst og må ikke nå højere op end filterbeholderen (Fig. 22). Hvis der påfyldes for meget skum, bliver det sværere at rengøre filteret.**
- 7.3.9** Sørg for, at forseglingen (Fig. 2(l)) øverst på filterbeholderen er på plads og fri for snåvs. Hvis det er nødvendigt, kan der påføres et tyndt lag silikonefedt på forseglingen for at lette monteringen. Sæt låget på plads. Skub det midterste sorte rør, der dækker UV-lampen, ned gennem hullet i midten.
- 7.3.10** Genmonter lågets spændebånd. Undgå, at vand hober sig op under spændebåndet, og smør hængselhåndtaget med et oliebaseret smøremiddel efter behov.
- 7.3.11** Drej afledningsventilen tilbage til bassinposition, og sæt rensenhåndtaget i dets standby-position.
- 7.3.12** Genstart pumpen først, og kontrollér for lækager. Tænd derefter for UV-lampen. Kontrollér, at der er et blåligt lys fra UV-indikatorlinsen.

Opbevaring om vinteren

- 8.1** I koldt vintervejr (når fisk er inaktive, og algevækst hører op), kan der slukkes for enheden. Derefter skal den fjernes, vaskes, rengøres og tørres grundigt og derefter opbevares på et tørt, frostfrit sted. Enheden skal altid opbevares med låget af for at sikre god udluftning og tørring.

Fejlfinding / ofte stillede spørgsmål/questions

Problem	Mulig årsag	Afhjælpning
Ingen vandstrøm gennem filteret til bassinet.	Forsyningspumpen er ikke tændt eller virker ikke.	Kontrollér, at pumpen virker og er tændt.
	Forsyningsslangen er blokeret.	Kontrollér, om forsyningsslangen og bassinets returslange er blokeret.
	Afledningsventilen er indstillet til affaldsposition.	Drej afledningsventilen til bassinposition.

Problem	Mulig årsag	Afhjælpning
Reduceret strøm gennem filter	Skummet er tilstoppet.	Rengør filteret (Se "Rengøring").
	Forsyningsslangen er blokeret.	Kontrollér, om forsyningsslangen og bassinets returslange er blokeret.
Vandet bliver ikke klart	Det nye filter er endnu ikke modnet.	Bassin vandet skulle begynde at blive mere klart inden for 2-3 uger, men det kan tage 6-8 uger, før fuld biologisk modning har fundet sted, og filtret er fuldt effektivt.
	Filtrets størrelse passer ikke til dit bassin.	Kontrollér, at du bruger det korrekte filter til dit bassinets opsætning.
	Forsyningspumpen har en forkert størrelse.	Kontrollér din strømningshastighed. Se 2.2.
	Sprunget UV-lampe.	Kontrollér UV-indikatorlinsen. Udskift UV-lampen.
	Gammel UV-lampe.	Udskift UV-lampen hver 12. måned.
	Det er nødvendigt at rengøre filteret.	Rengør filteret (Se "Rengøring").
	Udløbet på bassinets returslange er anbragt over forsyningspumpen.	Flyt pumpen eller udløbet på bassinets returslange, så de er så langt fra hinanden som muligt.
	Der er for mange fisk i bassinet.	Reducér mængden af fisk i dit bassin.
Overfodring.	Giv kun så meget foder til dine fisk, at det kan fortæres på nogle få minutter. Foretag kun fodring én gang om dagen.	
Rensenhåndtaget kan ikke rotere.	Pumpen er i gang, når rengøring påbegyndes.	Sluk for pumpen. Rotér håndtaget i begge retninger flere gange. Tænd for din pumpe (Se "Rengøring").

Hozelock Cyprio klartvands garanti

VI GARANTERER KLART VAND ELLER PENGENE TILBAGE for en Hozelock Cyprio Bioforce Revolution, når den bruges sammen med den korrekte pumpe. Denne garanti gælder i 12 måneder efter købsdato under forudsætning af, at:

- Du har fulgt installations- og driftsvejledningen.
- Du bruger udstyr af den korrekte størrelse i henhold til Hozelock Cyprios oplysninger om størrelser.
- Du kontakter vores hjælpelinje (0121 313 1122) i rette tid, så problemer kan udbedres.
- Varen returneres i uskadet tilstand.

En refundering kan kun autoriseres af Hozelock Cyprio og kan

kun finde sted på indkøbsstedet til værdien af købsprisen for filteret alene. Bemærk venligst, at klartvands garantien ikke dækker vandklarhedstab, når englæder frem for grøntvandsalger er årsagen hertil.

Hozelock Cyprio 2 års garanti

Hvis dette Bioforce Revolution produkt (eksklusive lampe) bliver ubrugelig inden for 2 år efter indkøbsdatoen, vil det alt efter vores vurdering blive repareret eller udskiftet gratis, medmindre det efter vores mening er blevet beskadiget. Vi påtager os intet ansvar for skader, der skyldes uheld, ukorrekt installation eller brug. Vort ansvar er begrænset til udskiftning af den defekte enhed. Denne garanti kan ikke overføres. Den påvirker ikke dine lovmæssige rettigheder. For at gøre brug af garantien skal du først kontakte Hozelock Cyprio forbrugerservice (Consumer Services, 0121 313 1122), som kan bede om at få enheden tilsendt, sammen med indkøbsbevis, direkte til den nedenstående adresse.

Kontakt / reservedele

www.hozelock.com

Tekniske specifikationer

Varenummer	1352	1353	1354
Serie	Bioforce Revolution		
Volt (V)	230V 50Hz		
UVC effekt (W)	18	24	36
Maksimal bassinstørrelse med fisk	6000 l (1320 gal.)	9000 l (1980 gal.)	14000 l (3080 gal.)
Maksimal bassinstørrelse uden fisk	12000 l (2640 gal.)	18000 l (3960 gal.)	28000 l (6160 gal.)
Maks. størrelse af Hozelock Cyprio Aquaforce pumpe (lpt)	4000	6000	8000
Maks. gennemstrømnings-hastighed, Qmaks, (lpt)	3000	4500	7000
IP klassifikation	IP57	IP57	IP57
Maks. vandtemperatur Tmaks., (°C)	35°C	35°C	35°C
Bioforce Revolution Cleaning System	✓	✓	✓

* Målt under kontrollerede forhold



Elektrisk udstyr må ikke bortskaffes som usorteret kommunalt affald. Brug faciliteter til separat indsamling. Kontakt din kommune for information om de tilgængelige indsamlingssystemer. Hvis elektrisk udstyr bortskaffes på lossepladser eller affaldspladser, kan farlige stoffer sine ind i grundvandet og komme ind i fødekæden. Dette har en negativ indvirkning på sundhed og velvære. Når gammelt udstyr udskiftes med nyt, er forhandlere i EU juridisk forpligtet til at tage dit gamle udstyr tilbage med henblik på bortskaffelse - i det mindste gratis for dig.

P

Obrigado por ter escolhido um produto da qualidade Hozelock, poderá ficar descansado com a fiabilidade de serviço deste produto.

- a** Caixa de protecção da componente eléctrica.
- b** Conjunto da tampa.
- c** Lente do indicador da lâmpada UV.
- d** Maçaneta da manivela de limpeza.
- e** Manivela de limpeza.
- f** Válvula de desvio.
- g** Pinos de Limpeza (Amarelo).
- h** Protecção UV.
- i** Balde para a espuma.
- j** Espuma Cypricube.
- k** Meios biológicos.
- l** O'ring vedante do recipiente.
- m** Recipiente do filtro.
- n** Abraçadeira da tampa.
- o** Funil para os meios biológicos.
- p** Casquilho e porca.
- q** Alavanca.

INSTRUÇÕES DE INSTALAÇÃO E FUNCIONAMENTO



LEIA ATENTAMENTE ESTAS INSTRUÇÕES ANTES DE INSTALAR ESTE PRODUTO.

O INCUMPRIMENTO DOS AVISOS SEGUINTE PODERÁ RESULTAR EM LESÕES, DANOS NO PRODUTO OU PROVOCAR A MORTE DOS PEIXES.

GUARDE ESTAS INSTRUÇÕES PARA CONSULTAS FUTURAS.

O Bioforce Revolution da Hozelock Cyprio é um novo conceito que permite uma filtragem de água de fácil manutenção para lagos de jardim.

É:

- Compacto e eficiente
- Fácil de instalar.

- Simples de limpar e de efectuar a manutenção.
- Pode ser colocado praticamente em qualquer lado.

Utilizado com a bomba de lago adequada, melhorará a clareza da água, removerá a matéria sólida indesejada do lago e converterá os detritos orgânicos e químicos dissolvidos dos peixes em compostos inofensivos.

Atenção: Precaução relativa a UV

Este aparelho contém um emissor de UV-C. A utilização indevida do aparelho ou danos causados na caixa de protecção podem resultar na fuga de radiação UV-C perigosa. A radiação UV-C pode, mesmo em pequenas quantidades, causar danos nos olhos e na pele. A lâmpada é fixada com um dispositivo de bloqueio que desligará a lâmpada na eventualidade da caixa de protecção da componente eléctrica ser aberta.

Quando ligada, pode verificar se a lâmpada está a funcionar tentando observar um brilho azulado a partir da lente do indicador UV. Não coloque o produto em funcionamento em seco.

Aviso: Não tente colocar o emissor de UV-C em funcionamento quando este tiver sido removido da caixa de protecção do aparelho.

Importante

Este aparelho não foi concebido para ser utilizado por pessoas (incluindo crianças) com capacidades físicas, sensoriais ou mentais reduzidas ou com falta de experiência e conhecimentos, a não ser que sejam supervisionadas ou instruídas sobre o uso do aparelho por uma pessoa responsável pela sua segurança. As crianças devem ser supervisionadas para garantir que não brincam com o aparelho. Se este dispositivo estiver francamente danificado não deve ser posto em funcionamento.

Aviso: Segurança e Ligações Eléctricas

- 1.1 AVISO: DESLIGUE OU DESCONNECTE SEMPRE DA REDE DE ALIMENTAÇÃO TODOS OS APARELHOS QUE SE ENCONTREM NO LAGO ANTES DE COLOCAR AS MÃOS NA ÁGUA ENQUANTO O EQUIPAMENTO ESTIVER A SER INSTALADO, CONSERTADO, REVISTO OU MANIPULADO.**
- 1.2 Este filtro foi concebido para utilização apenas em lagos de jardim. Não use este filtro para qualquer outra finalidade (ou seja, não utilize este filtro em piscinas de natação, etc.). Utilizar o produto para qualquer outra aplicação poderá resultar em lesões ou em danos para o produto.
- 1.3 Os aparelhos que estiverem francamente danificados não devem ser postos em funcionamento.
- 1.4 O tubo transparente no interior da unidade é fabricado em vidro de quartzo e deverá tomar o devido cuidado durante a instalação e manutenção. Recomendamos a utilização de protecção para os olhos e luvas adequadas.
- 1.5 O seu filtro Bioforce Revolution é à prova de água mas não é submersível. Posicione a unidade na posição vertical junto ao lago mas onde este não possa cair na água, nem onde o solo possa ficar alagado (Consulte a secção, "Instalação").

- 1.6 Importante:** Este produto é fornecido com um cabo eléctrico de 3 condutores com 5 m. A ficha fornecida com este produto não é à prova de água e deve ser ligada à fonte de alimentação no interior de um recinto seco e resistente a condições climáticas adversas de acordo com os seus regulamentos locais.

- 1.7 AVISO:** Este aparelho TEM DE possuir uma ligação à terra e é essencial que todas as ligações sejam feitas com a utilização do seguinte código:

- CASTANHO - positivo
- AZUL - neutro
- VERDE/AMARELO - ligação à terra.

- 1.8** Os cabos expostos deverão ser posicionados com cuidado e protegidos por protecções blindadas, especialmente se existe o risco de contacto com o equipamento de jardinagem, tais como forquilhas e cortadores de relva, ou crianças e animais domésticos.
- 1.9** DEVE ligar à fonte de alimentação um Disjuntor de Corrente Residual (DCR) de 30 mA.
- 1.10** As instalações permanentes à fonte de alimentação (cablagem fixa) têm de respeitar os regulamentos de cablagem nacionais e locais. Consulte um electricista devidamente qualificado ou as autoridades locais em caso de dúvida sobre a cablagem de ligação à fonte de alimentação.
- 1.11** Nunca utilize o cabo da fonte de alimentação ou a manivela de limpeza para elevar ou mover o filtro, uma vez que esta situação pode provocar danos. Se for necessário mover o filtro, o produto deverá ser desligado e em primeiro lugar deverá drenar a água. Depois eleve o produto segurando na área onde a tampa está presa com uma abraçadeira ao recipiente principal.
- 1.12** Nunca se sente ou encoste à manivela de limpeza! (fig. 4).
- 1.13** Nunca eleve o filtro utilizando a manivela de limpeza. Transporte sempre a unidade com as duas mãos, agarrando firmemente na borda da tampa (Fig. 5).
- 1.14** Não deixe o filtro a funcionar em seco.
- 1.15** Não bloqueie as saídas enquanto estiver a utilizar o filtro.
- 1.16** Não opere este produto se o cabo da fonte de alimentação tiver sido danificado de qualquer forma. O cabo de alimentação não pode ser substituído. Se o cabo estiver danificado, a caixa de protecção da componente eléctrica deverá ser eliminada de acordo com os regulamentos locais.
- 1.17** Proteja-a da geada na eventualidade da unidade não ser utilizada durante todo o ano. (Consulte a secção, "Cuidados durante o inverno").
- 1.18** Proteja o filtro da incidência directa da luz solar.
- 1.19** Este produto não é adequado para temperaturas de água superiores a 35° C ou inferiores a 0° C.
- 1.20** Utilize apenas acessórios que foram concebidos para serem utilizados com este produto. A utilização de quaisquer outros acessórios ou peças suplentes podem invalidar a sua garantia.

Orientações gerais

- 2.1 O Gráfico de Informação Técnica no verso disponibiliza-lhe orientações gerais sobre as especificações do filtro e bomba recomendada. Contudo, para obter os melhores resultados, deverá levar em consideração vários outros factores de condição, uma vez que estes podem reduzir as capacidades do filtro.
- **Profundidade do lago:** A Hozelock Cyprio recomenda uma profundidade mínima de 1,2 m (4') para lagos com carpas (peixes Koi). Para um lago com uma profundidade média inferior a 0,75 m (2' 6"), o Factor de Condição é de + 25%. Lagos com pouca profundidade estão sujeitos à penetração da luz solar plena e aquecem rapidamente. Esta situação encoraja o crescimento de algas.
 - **Localização:** A localização do lago determina a quantidade diária de luz solar ou sombra que o lago recebe. Os lagos expostos à luz solar plena ao longo do dia possuem um Factor de Condição de + 25%.
 - **Clima:** O clima afecta as temperaturas da água e os requisitos de alimentação/taxa de actividade dos peixes. Quanto mais activos forem os peixes, maiores são as exigências em termos de sistemas de filtragem. Em climas quentes (por ex., África do Sul), o Factor de Condição é de + 35%. Em climas temperados (por ex., sul da Europa), o Factor de Condição é de + 15%. Num clima do norte da Europa (por ex., na maior parte das áreas da Grã-Bretanha), Factor de Condição é de + 0%.
 - **EXEMPLO:** Tem um lago de peixes dourados de 2.200 litros com uma profundidade de 0,75 m (Factor de Condição de + 25%). Se vive em Londres - um clima do norte da Europa (Factor de Condição de + 0%). O lago está exposto à luz solar plena (+ 25%). O volume efectivo do seu lago é, desta forma, aumentado em 50% (25% + 25%) e necessitará de dimensionar o seu equipamento como se o seu lago tivesse 3.300 litros.
- 2.2 **Caudal:** Para obter os melhores resultados, o volume do lago deveria passar pelo Bioforce Revolution a cada 1½ - 2½ horas: o caudal mais rápido que é recomendado para lagos com carpas (peixes Koi). Não exceda o caudal máximo, tal como indicado no Gráfico de Informação Técnica no verso. O caudal correcto é essencial se desejar obter água limpa. Se a sua instalação não sofrer perdas elevadas (por ex., grandes comprimentos de mangueira), pode ser necessário ajustar o caudal para atingir a taxa de rotatividade de 1½ - 2½ horas através da utilização de uma ligação de mangueira de controlo do fluxo.
- Mangueiras com um diâmetro pequeno, comprimentos de mangueira desnecessariamente longos e uma altura de aspiração elevada ("carga hidráulica") podem reduzir consideravelmente o rendimento da bomba. Recomendamos que escolha uma bomba que possa proporcionar o caudal necessário relativamente à altura estática completa (= distância vertical entre a superfície do lago e a entrada do filtro), mais 0,6 m (2 pés) para compensar as perdas de fricção dentro das mangueiras.
- O objectivo da filtração é fazer a transferência dos detritos do lago para o filtro e, por conseguinte, a bomba que utilizar como parte do equipamento deverá ter capacidade para processar partículas sólidas, tal

como a gama de bombas Aquaforce da Hozelock Cyprio que foi especialmente concebida para lagos que se enquadram nas capacidades abrangidas pelo Bioforce Revolution. A bomba deverá ser posicionada no ponto mais profundo do lago para garantir a melhor circulação da água no lago e maximizar a sua capacidade de manuseamento de partículas sólidas. A bomba deverá ser instalada numa plataforma plana, que se encontre elevada a 300 mm do fundo do lago. Esta situação evitará que a bomba sugue sujidade directamente do fundo do lago e também garante que permanecerá água suficiente no lago na eventualidade de existir uma fuga acidental da água do mesmo.

Como verificar o seu caudal: Utilize um recipiente com um volume conhecido e marque o tempo que demora para o encher (em segundos). Depois divida 3.600 pelo número de segundos que demorou a encher o recipiente e multiplique este valor pelo volume (litros ou galões) do recipiente. O resultado corresponde ao caudal em litros ou galões por hora (lph ou gph).

- 2.3 **Densidade de Povoamento com Peixes:** Em condições e regimes alimentares normais, a gama de dispositivos Bioforce Revolution suportará até 50 cm por cada 1.000 litros (10" de peixes por cada 100 galões) de capacidade do lago. Introduza os peixes lentamente no decorrer das primeiras semanas, até alcançar cerca de 20% do nível máximo recomendado, aumentando este número seis meses mais tarde, se desejar, para 50% do nível máximo. A diferença permitirá a reprodução dos peixes.
- 2.4 **Tratamentos do Lago:** Alguns medicamentos/tratamentos podem degradar-se muito rapidamente em virtude da radiação UVC. Considere desligar o filtro durante o tratamento das doenças. A filtração mecânica e biológica continuará a funcionar.
- Se estiver a tratar o seu lago para remover mantos de algas, desligue a bomba e o filtro durante a duração do tratamento até que os mantos de algas tratados tenham sido removidos do lago.
- 2.5 Deverá ter cuidados redobrados com quaisquer uniões da mangueira, uma vez que as fugas resultarão em perda de água do lago.

Instalação

- 3.1 **Importante:** Não utilize uma bomba com um caudal superior a 8.000 lph ou uma carga hidráulica máxima superior a 5 m com a gama de filtros Bioforce Revolution.
- 3.2 **Importante:** Os filtros Bioforce Revolution apenas devem ser instalados na posição vertical, virado para cima (Fig. 6).
- 3.3 Os filtros Bioforce Revolution são alimentados pela bomba, compostos por unidades UVC e filtro externo pressurizado, e são adequados para serem instalados acima do solo (Fig. 7) ou parcialmente enterrados (Fig. 8), numa posição adjacente ao seu lago ou escondidos no cimo de uma cascata.
- Se desejar instalar o seu filtro acima do solo, coloque-o num terreno plano.
- Caso decida enterrar parcialmente o seu filtro, o buraco escavado deve ser firmemente enchido com areia compactada para suportar a unidade. Se escolher este tipo de instalação, deverá deixar um mínimo de

50 mm de folga entre a abraçadeira e o nível do solo, garantindo que o mesmo é facilmente removível para efectuar a manutenção anual.

- 3.4 A utilização de mangueiras com diâmetros pequenos conduz a restrições excessivas do fluxo de água. Quanto maior for o diâmetro da mangueira que utilizar, melhor será o desempenho do filtro, especialmente com comprimentos longos de mangueira. Os casquilhos fornecidos com esta unidade suportam mangueiras Cypriflex com 25 mm (1"), 32 mm (1¼") e 40 mm (1½"). Recomendamos sempre que a mangueira com 40 mm de diâmetro seja utilizada com os filtros Bioforce Revolution para evitar restrições de fluxo de água.

Assim que tiver seleccionado o diâmetro da mangueira que pretende utilizar, corte as extensões do casquilho que sejam inferiores ao diâmetro da mangueira para eliminar quaisquer restrições (Fig. 9).

A bomba que fornece o filtro e a saída da mangueira de retorno para o lago deverão estar o mais afastadas possível para uma circulação de água ideal, pelo que deverá ter em consideração, aquando da compra, a medida e o corte da mangueira Cypriflex.

Instale uma mangueira com um comprimento adequado entre a bomba de abastecimento e a entrada do filtro (Fig. 10 (i)), segurando a mangueira ao casquilho com abraçadeiras de mangueira Hozelock Cyprio, disponíveis em separado. Depois instale da mesma forma uma mangueira com um comprimento adequado à saída do filtro (Fig. 10 (ii)). Para mais dados sobre a saída de evacuação de detritos (Fig. 10 (iii)), consulte a secção "Limpeza".

Coloque a bomba no lago numa localização adequada e posicione o terminal da mangueira de saída de forma a que água filtrada regresse ao lago.

Evite a formação de nós e dobras nas mangueiras quando as posicionar. Mantenha o comprimento da mangueira o mais curto possível para minimizar a restrição do fluxo.

- 3.5 Certifique-se de que a manivela de enrolar está posicionada por cima da caixa de protecção da componente eléctrica. Retire a maçaneta e a tampa da manivela de enrolar fornecida e instale-a na manivela de limpeza, encaixando-a na manivela até ouvir um clique que indica que já está fixada na posição (Fig. 11).

O seu filtro está agora pronto para utilização.

Funcionamento

- 4.1 **Certifique-se de que a Válvula de Desvio está virada para a posição de saída do lago (Fig. 12).**
- 4.2 Ligue o cabo de alimentação do filtro (Consulte a secção 1 – Segurança e Ligações Eléctricas). Isto faz com que a lâmpada UVC se acenda. Pode verificar se a lâmpada está a funcionar, tentando observar um brilho azul na lente do indicador da lâmpada UV que se encontra na parte superior da caixa de protecção (Fig. 1 (c)).
- 4.3 Ligue a bomba.
- 4.4 **Períodos de Funcionamento:** Mantenha o filtro a funcionar 24 horas por dia. Idealmente deveria funcionar todo o ano, ou, pelo menos, durante a

estação em que os peixes se alimentam (até que a temperatura da água desça abaixo de 10° C). No inverno, o funcionamento da bomba e do filtro manterá um nível mínimo de bactérias benéficas no Bioforce e ajudará a evitar que o lago se cubra de gelo. Se desligar a bomba durante o inverno, lave o filtro meticulosamente antes de voltar a utilizá-lo na primavera (consulte "Armazenamento durante o inverno", parágrafo 11.0). Nunca alimente os peixes enquanto o filtro não estiver a funcionar.

Maturação

- 5.1 O processo de maturação biológica significa que o filtro acumulou um número suficiente de bactérias nitrificantes para converter os detritos nocivos dos peixes e outros detritos orgânicos (como, por exemplo, amónia e nitrito) em nitratos relativamente inofensivos. O processo demora normalmente de 6 a 8 semanas, mas depende de muitos factores como, por exemplo, a temperatura da água, a taxa de alimentação e a densidade de povoação dos peixes. Acelere a maturação, adicionando um agente de maturação, tal como o Conjunto de Iniciação de Filtros da Hozelock Cyprio.

Limpeza

Como limpar o seu Bioforce Revolution.

Os filtros Bioforce Revolution proporcionam um desempenho máximo com um mínimo de manutenção. Se o lago estiver muito sujo, deve-se começar por limpar o filtro com poucos dias de intervalo, dependendo da rapidez com que o mesmo acumula detritos. Assim que as águas se tornem mais límpidas, haverá menos detritos a remover e o filtro necessitará de ser limpo com menos frequência. Os filtros pressurizados estarão a funcionar nas suas condições mais eficientes quando a espuma estiver parcialmente bloqueada. Contudo, à medida que o bloqueio aumenta, o caudal diminui uma vez que menos água pode fluir através da espuma e a limpeza torna-se necessária.

- 6.1 Desligue a bomba na fonte de alimentação.
- 6.2 Ligue uma mangueira com um comprimento adequado à saída de evacuação de detritos (Fig. 10(iii)), utilizando o casquilho fornecido e uma abraçadeira de mangueira. O terminal da mangueira de evacuação de detritos pode ser posicionada por cima de um tubo de escoamento ou um canteiro de flores. A água de descarga (água com detritos) funciona como um excelente fertilizante.
- 6.3 Rode a manivela várias vezes. Recomendamos que rode a manivela várias vezes no sentido horário e anti-horário (Fig. 13). À medida que a manivela é rodada, as lâminas de limpeza amarelas (Fig 2 (g)) rodarão, dividindo e espremendo cada cubo de espuma, libertando os detritos que estes acumularam.
- 6.4 Rode a válvula de desvio para a posição de evacuação de detritos (Fig. 14). Ouvirá um "clique".
- 6.5 Ligue a bomba.
- 6.6 Continue a rodar a manivela (dê voltas completas em ambos os sentidos). Inicialmente, a água de descarga será de um verde intenso ou castanho dependendo da configuração do seu lago.

Depois de um período curto de tempo, a intensidade da cor da água de descarga esbate-se e a água começará

a sair limpa. Nesta altura, pare de rodar a manivela e coloque-a na posição de arrumação por cima da caixa de protecção principal (Fig. 15).

Aguarde 5 segundos para que os últimos detritos sejam descarregados e rode a válvula de desvio para a posição lago.

AVISO: Deixar a válvula na posição de evacuação de detritos irá esvaziar o lago. Certifique-se de que a mesma está ligada novamente para a saída do lago.

- 6.7 O tempo necessário para a limpeza do filtro depende de vários factores, mas se limpar o filtro mais regularmente, menor será o tempo necessário para a limpeza. Normalmente, a limpeza necessita de poucos minutos.

Periodicamente, necessitará de encher o seu lago para substituir a água de descarga removida durante a limpeza. As mudanças parciais de água são um aspecto importante na manutenção de um sistema de água de lago saudável.

Manutenção

Aviso: leia estas instruções de manutenção antes de abrir o aparelho.

Aviso: não tente remover a tampa ou a caixa de protecção da componente eléctrica quando a bomba e o filtro estiverem a ser utilizados. É fornecida uma ranhura para um aloquete na abraçadeira da tampa para evitar a abertura accidental e recomendamos que esta seja utilizada quando é provável a presença de crianças.

7.1 Substituir a lâmpada UV:

Aviso: o aparelho deve ser desligado da fonte de alimentação antes de desligar o emissor de UV-C.

A eficácia de uma lâmpada UV é reduzida significativamente ao longo do tempo, pelo que deverá substituir a lâmpada a cada 12 meses, mesmo que a lâmpada ainda esteja a funcionar.

- 7.1.1 Desligue a alimentação da bomba de abastecimento e o filtro.
- 7.1.2 Rode a válvula de desvio para a posição de evacuação de detritos. Esta situação permite que a pressão interna equalize com a pressão atmosférica e permite uma fácil remoção da caixa de protecção da componente eléctrica sem que a água entre em contacto com a parte superior da tampa.
- 7.1.3 Rode a manivela de limpeza meia volta para que esta desobstrua o acesso à caixa de protecção da componente eléctrica (Fig. 16 (i)).
- 7.1.4 Utilize uma chave de parafusos para remover os 5 parafusos que seguram a caixa de protecção da componente eléctrica à tampa. (Fig. 16 (ii)). Existe um orifício entre a entrada e a saída do filtro onde pode guardar os parafusos enquanto muda a lâmpada (Fig. 16 (iii)).
- 7.1.5 Segure a caixa de protecção da componente eléctrica e puxe-a para cima cuidadosamente para a remover. Vire a caixa de protecção ao contrário e coloque-a numa superfície nivelada seca.
- 7.1.6 Fig. 17. Desaperte o colarinho de fixação do tubo de quartzo (i). Segure cuidadosamente no tubo de quartzo (ii), levante-o e remova-o juntamente com os respectivos o-rings (iii) e colarinho de fixação.

- 7.1.7 Retire a lâmpada antiga, puxando-a cuidadosamente do respectivo suporte e retire a tampa preta de protecção do terminal da lâmpada (Fig. 17 (iv)), retirando posteriormente a placa reflectora (Fig. 17 (v)). Elimine a lâmpada antiga de acordo com os regulamentos locais e coloque a lâmpada nova.

- 7.1.8 Volte a colocar a placa reflectora e encaixe a tampa preta no terminal da lâmpada.

- 7.1.9 Faça deslizar o tubo de quartzo por cima da lâmpada. Certifique-se de que os dois o-rings existentes na base do tubo de quartzo estão limpos e sem detritos.

- 7.1.10 Deslize o colarinho de fixação por cima do tubo de quartzo e aparafuse-o. Deverá aparafusar até que a trava do colarinho de fixação toque na trava da caixa de protecção, pelo que o colarinho já não consegue continuar a ser aparafusado.

- 7.1.11 Volte a colocar a caixa de protecção da componente eléctrica. A caixa de protecção só pode ser encaixada numa posição, pelo que não a deve forçar a entrar. Assim que esteja colocada na posição correcta, volte a colocar os 5 parafusos. Os parafusos devem ser apertados completamente para garantir que o interruptor de bloqueio está activado.

- 7.1.12 Rode a válvula de desvio novamente para a posição lago e cologue a manivela de limpeza na posição de armazenamento.

- 7.1.13 Ligue novamente a bomba, verificando em primeiro lugar a existência de fugas, e posteriormente ligue a lâmpada UV. Tente observar a existência de um brilho azulado a partir da lente do indicador UV.

7.2 Cuidados a ter com o tubo de quartzo UV:

Especialmente em áreas com água dura, o revestimento do tubo de quartzo da lâmpada UVC poderá ficar coberto por calcário. Esta situação reduzirá a eficiência da unidade se permitir que este se acumule. Para o limpar, desligue a bomba e a fonte de alimentação da lâmpada UV, remova a caixa de protecção da componente eléctrica, tal como descrito no ponto 7.1, e limpe o tubo de quartzo com um pano suave humedecido ligeiramente com um agente de limpeza, por exemplo, vinagre (Consulte a fig. 18). Deverá utilizar vestuário de protecção quando limpar o tubo de quartzo, como por exemplo óculos e luvas.

7.3 Substituição da espuma Cypricube:

Inspeccione a espuma anualmente. A frequência da substituição da espuma dependerá da configuração do seu lago. Recomendamos que as espumas sejam substituídas durante o inverno e antes de começar a alimentar novamente os peixes no início da primavera*. Substituir a espuma em outras alturas do ano pode fazer com que a química do lago se altere e esta alteração pode prejudicar os seus peixes.

*Uma vez que a água do lago arrefece no outono, os peixes começam a reduzir o ritmo para preparar o período de semi-dormência. O seu sistema digestivo e imunitário abrandam e estes já não são capazes de digerir os mesmos tipos de alimentos tal como o fazem durante os meses mais quentes. Se estes tiverem fome, alimentar-se-ão de alimentos mais simples que existem naturalmente no ambiente do lago. Desta forma, assim que a temperatura da água do lago atingir valores inferiores a 10° C durante um período prolongado de tempo, deverá deixar de alimentar os

seus peixes. Assim que o tempo começar a aquecer no início da primavera, à medida que os peixes começam a ficar mais activos, pode recomeçar gradualmente a alimentar os seus peixes.

- 7.3.1** Desligue a alimentação da bomba de abastecimento e o filtro.
- 7.3.2** Rode a válvula de desvio para a posição de evacuação de detritos. Esta situação permite que a pressão interna equalize com a pressão atmosférica e permite uma fácil remoção da tampa.
- 7.3.3** Desaperte a abraçadeira da tampa (Fig. 2(n)). Liberte e remova cuidadosamente a tampa, utilizando as 2 alavancas nas ranhuras opostas (Fig. 19). A remoção das mangueiras poderá ajudar a executar esta tarefa.
- 7.3.4** Levante e remova o balde para a espuma (Fig. 2(i)) e elimine a espuma antiga. Retire a água do interior do recipiente do filtro, recolhendo os meios biológicos numa rede. Os meios biológicos não necessitam de qualquer manutenção.
- 7.3.5** Se o fundo do recipiente estiver coberto por uma camada de lama, lave o fundo do recipiente com alguma água do lago.
- 7.3.6** Substitua os meios biológicos, certificando-se de que se encontram localizados em torno do funil para meios biológicos (Fig. 2(o)) no fundo do recipiente. O interior do funil para meios biológicos não deve conter meios biológicos (Fig. 20).
- 7.3.7** Coloque o balde para a espuma no recipiente. Rode o balde para a espuma até que os pequenos triângulos no topo do balde para a espuma se alinhem com uma das linhas verticais no interior do recipiente do filtro (Fig. 21). O balde para a espuma ficará colocado na posição correcta. **Certifique-se de que o balde para a espuma está colocado na posição correcta para facilitar a colocação da tampa.**
- 7.3.8** Encha o balde para a espuma com a quantidade de espuma de substituição Cyprcube recomendada. Não se preocupe se os novos cubos de espuma seca ocuparem um pouco mais de espaço quando são novos. Certifique-se de que não cai espuma no buraco central da área do funil para meios biológicos.
- Nunca esmague a espuma para que caiba mais quantidade. A espuma seca deverá ser adicionada de forma solta e não deverá encher para além da altura do recipiente do filtro (Fig. 22). Adicionar demasiada espuma fará com que seja difícil de limpar o filtro.**
- 7.3.9** Certifique-se de que o vedante (Fig. 2(l)) no topo do recipiente do filtro está colocado na posição correcta e não possui sujidade, nem detritos. Adicione uma ligeira camada de massa de silicone, se necessário, para ajudar a montagem. Volte a colocar a tampa. Faça deslizar o tubo preto central que reveste a lâmpada UV através do buraco central.
- 7.3.10** Volte a colocar a abraçadeira da tampa. Certifique-se de que não há acumulação de água por baixo da abraçadeira da banda e mantenha a alavanca articulada lubrificada através da utilização de um lubrificante à base de óleo.
- 7.3.11** Rode a válvula de desvio novamente para a posição lago e coloque a manivela de limpeza na posição de armazenamento.
- 7.3.12** Ligue novamente a bomba, verificando em primeiro

lugar a existência de fugas. Depois ligue a lâmpada UVC. Tente observar a existência de um brilho azulado a partir da lente do indicador UV.

Armazenamento durante o inverno

- 8.1** Nos invernos de temperaturas baixas (quando os peixes não estão activos e as algas param de crescer), a unidade pode ser desligada. A unidade deve ser então removida, lavada meticolosamente, limpa e seca e armazenada numa área seca e protegida da geada. Armazenar sempre a unidade sem a tampa para garantir que permanece devidamente seca e ventilada.

Resolução de problemas / Perguntas frequentes

Problema	Causa possível	Solução
Não há fluxo de água do filtro para o lago.	A bomba de abastecimento não está ligada ou não está a trabalhar.	Verifique se a bomba está a trabalhar e se está ligada.
	A mangueira de abastecimento está bloqueada.	Verifique a mangueira de abastecimento e a mangueira de retorno para o lago relativamente à existência de bloqueios.
	A válvula de desvio está definida para "Evacuação de detritos"	Rode a válvula de desvio para a posição "Lago".
Caudal reduzido através do filtro	As espumas estão bloqueadas.	Limpe o filtro (Consulte a secção "Limpeza").
	A mangueira de abastecimento está bloqueada.	Verifique a mangueira de abastecimento e a mangueira de retorno para o lago relativamente à existência de bloqueios.

Problema	Causa possível	Solução
A água não fica límpida	O novo filtro ainda não efectuou a maturação.	A clareza da água do lago deverá começar a melhorar num prazo de 2-3 semanas, mas a maturação biológica completa pode demorar 6-8 semanas antes do filtro estar plenamente eficaz.
	Tamanho de filtro errado para o seu lago.	Verifique se está a utilizar o filtro adequado para a configuração do seu lago.
	Tamanho errado de bomba de abastecimento.	Verifique o seu caudal. Consulte o ponto 2.2.
	Lâmpada UV fundida.	Verifique a lente do indicador UV. Substitua a lâmpada UV.
	Lâmpada UV antiga.	Substitua a lâmpada UV a cada 12 meses.
	A espuma necessita de ser limpa.	Limpe o filtro (Consulte a secção "Limpeza").
	A saída da mangueira de retorno para o lago está posicionada acima da bomba de abastecimento.	Mova a bomba ou a saída da mangueira de retorno para o lago para que estas estejam o mais afastadas possível.
	O lago está sobrepopulado com peixes.	Reduza a quantidade de peixes no seu lago.
	Sobrealimentação.	Apenas alimente os seus peixes com a quantidade de alimento que pode ser consumida em poucos minutos. Apenas alimente os peixes uma vez por dia.
A manivela de limpeza não roda.	A bomba está a funcionar no início da limpeza.	Desligue a bomba. Rode a manivela em ambos os sentidos várias vezes. Ligue a sua bomba (Consulte a secção "Limpeza").

Garantia de águas límpidas da Hozelock Cyprio

GARANTIMOS QUE OBTÉM ÁGUA LÍMPIDA OU DEVOLVEMOS O SEU DINHEIRO na compra de um filtro Bioforce Revolution da Hozelock Cyprio quando utilizado com a bomba adequada. Esta garantia é válida por 12 meses após a data da compra, desde que

- Tenha seguido as instruções de instalação e funcionamento.
- Tenha utilizado o equipamento com o tamanho correcto, de acordo com a informação sobre tamanhos da Hozelock Cyprio.

- Consulte a nossa Linha de Apoio (0121 313 1122) atempadamente para que os problemas possam ser corrigidos.

- O produto tenha sido devolvido sem danos.

Um reembolso apenas pode ser autorizado pela Hozelock Cyprio e é feito apenas no local de compra até ao valor do preço de compra que diga respeito apenas ao filtro. Por favor, note que a Garantia de Águas Límpidas não abrange a perda da clareza da água provocada por mantos de algas, contrariamente à existência de algas que dão uma tonalidade verde à água.

Garantia de 2 anos da Hozelock Cyprio

Se este filtro Bioforce Revolution (excluindo a lâmpada) ficar inutilizado no prazo de 2 anos a contar da data da sua aquisição, será reparado ou substituído gratuitamente, conforme nossa decisão, a não ser que, na nossa opinião, tenha sido danificado. Não aceitamos responsabilidade por danos causados por acidentes, instalações incorrectas ou má utilização. A garantia está limitada à substituição da unidade avariada. Esta garantia não pode ser transferida. Isto não afecta os seus direitos estatutários. Para obter as vantagens desta garantia, em primeiro lugar deve contactar os Serviços de Assistência ao Consumidor da Hozelock Cyprio (0121 313 1122), que poderão pedir-lhe para enviar a unidade, juntamente com documento comprovativo da aquisição, directamente para o endereço abaixo indicado.

Contacto / Peças Suplentes

www.hozelock.com

Informações Técnicas

Número da Peça	1352	1353	1354
Gama	Bioforce Revolution		
Volts (V)	230V 50Hz		
Potência UVC (W)	18	24	36
Tamanho máximo do lago com peixes	6.000 l (1320 galões)	9.000 l (1980 galões)	14.000 l (3080 galões)
Tamanho máximo do lago sem peixes	12.000 l (2640 galões)	18.000 l (3960 galões)	28.000 l (6160 galões)
Tamanho máx. da bomba Aquaforce da Hozelock Cyprio (lph)	4000	6000	8000
Caudal Máx., QMáx., (lph)	3000	4500	7000
Classificação IP	IP57	IP57	IP57
Temperatura máx. da água Tmáx., (° C)	35°C	35°C	35°C
Sistema de Limpeza Bioforce Revolution	✓	✓	✓
* Medido sob condições controladas			



Não elimine os dispositivos eléctricos como lixo municipal não separado, utilize as instalações de recolha específicas para estes materiais. Contacte as autoridades locais para obter informações sobre os sistemas de recolha disponíveis. Se os aparelhos eléctricos forem eliminados em aterros ou lixeiras, as substâncias perigosas podem ser vertidas para as águas subterrâneas e passarem para a cadeia alimentar, danificando a sua saúde e o seu bem-estar. Na União Europeia, aquando da substituição de aparelhos antigos por novos, o revendedor é obrigado legalmente a recolher gratuitamente o seu aparelho antigo para eliminação.

- Łatwa konserwacja i czyszczenie.
- Możliwość instalacji praktycznie w dowolnym miejscu.

Stosowany z połączeniu z właściwą pompą, poprawia klarowność wody, usuwa zanieczyszczenia stałe z sadzawki i zamienia rozpuszczone związki organiczne i chemiczne pochodzące z odchodów rybnych w nieszkodliwe substancje.

Uwaga: Ostrzeżenie o działaniu promieniowania ultrafioletowego

Urządzenie jest wyposażone w emiter promieni UV-C. Niezamierzone użycie urządzenia lub uszkodzenia w obudowie mogą powodować wydostawanie się niebezpiecznego promieniowania UV-C. Promieniowanie UV-C może, nawet w małych dawkach, powodować uszkodzenia oczu i skóry. Lampa jest wyposażona w blokadę, która wyłącza lampę w przypadku otwarcia obudowy instalacji elektrycznej urządzenia.

Niebieskawy blask widoczny przez okienko wzornikowe lampy UV wskazuje prawidłowe działanie włączonej lampy. Urządzenia nie należy uruchamiać na sucho.

Ostrzeżenie: Wyjętego z obudowy emitera promieni UV-C nie należy uruchamiać.

Ważne

Urządzenie nie jest przeznaczone do użytku przez osoby (w tym dzieci) o ograniczonej sprawności fizycznej, sensorycznej lub psychicznej, lub nieposiadające doświadczenia i wiedzy, chyba że pozostają pod opieką lub otrzymały informacje o użytkowaniu tego urządzenia od osoby odpowiedzialnej za ich bezpieczeństwo. Należy pilnować dzieci, aby nie bawiły się urządzeniem. Jeżeli urządzenie jest w widoczny sposób uszkodzone, nie należy go używać.

Ostrzeżenie: Bezpieczeństwo połączeń elektrycznych

- 1.1 OSTRZEŻENIE: PRZED WŁOŻENIEM RĄK DO WODY W CELU DOKONANIA INSTALACJI, NAPRAWY, KONSERWACJI LUB PRZENIESIENIA, NALEŻY WSZYSTKIE URZĄDZENIA ZNAJDUJĄCE SIĘ W STAWIE ZAWSZE ODŁĄCZYĆ OD ZASILANIA.**
- 1.2 Filtr jest przeznaczony wyłącznie do użytku w sadzawkach ogrodowych. Filtra nie należy używać w innych celach (tzn. nie używać filtra w basenach, itp.). Użytkowanie urządzenia w innych celach może powodować obrażenia lub uszkodzenie produktu.
- 1.3 Urządzenia, które są w widoczny sposób uszkodzone nie należy użytkować.
- 1.4 Przezroczysta rurka wewnątrz urządzenia jest wykonana ze szkła kwarcowego, dlatego też podczas instalacji i konserwacji filtra należy zachować ostrożność. Zaleca się stosowanie okularów ochronnych i odpowiednich rękawic ochronnych.
- 1.5 Filtr Bioforce Revolution jest urządzeniem wodoodpornym, ale nie zanurzalnym. Filtr należy umieścić pionowo w pobliżu sadzawki, ale nie w takim miejscu, gdzie może wpaść do wody lub na podmokłym podłożu (Patrz sekcja "Instalacja").
- 1.6 **Uwaga:** Urządzenie wyposażone jest w 5-metrowy, 3-żyłowy kabel. Wtyczka dostarczona z urządzeniem nie jest wodoszczelna i zgodnie z miejscowymi przepisami należy ją osłonić suchą, odporną na

PL

Dziękujemy za wybór wysokiej jakości produktu Hozelock - możecie być Państwo pewni po nim rzetelnego działania.

a Obudowa instalacji elektrycznej.

b Pokrywa.

c Okienko wzornikowe lampy UV.

d Gałka uchwytu mechanizmu czyszczącego.

e Uchwyt mechanizmu czyszczącego.

f Zawór przełączający.

g Ramiona czyszczące (żółte).

h Osłona UV.

i Wkładka piankowa.

j Pianka Cyprubiche.

k Bio-media.

l Uszczelka pojemnika typu o-ring.

m Pojemnik filtra.

n Zacisk pokrywy.

o Bio-tuba.

p Końcówka z nakrętką.

q Dźwignia.

INSTRUKCJA INSTALACJI I OBSŁUGI



PRZED INSTALACJĄ NALEŻY DOKŁADNIE ZAPOZNAĆ SIĘ Z NINIEJSZĄ INSTRUKCJĄ.

NIEPRZESTRZEGANIE PONIŻSZYCH UWAG MOŻE PROWADZIĆ DO OBRĄZEŃ, USZKODZEŃ PRODUKTU LUB ŚMIERCI RYB.

INSTRUKCJĘ NALEŻY ZACHOWAĆ DO WYKORZYSTANIA W PRZYSZŁOŚCI.

Hozelock Cyprio Bioforce Revolution stanowi całkowicie nową koncepcję łatwego w obsłudze filtra wody do sadzawek ogrodowych.

Zalety filtra:

- Małe rozmiary i wydajność
- Łatwa instalacja.

warunki atmosferyczne obudową.

- 1.7 **OSTRZEŻENIE:** Urządzenie **MUSI BYĆ UZIEMIIONE**, a połączeń należy dokonać według następującego schematu:
 - Przewód BRĄZOWY - pod napięciem
 - Przewód NIEBIESKI - neutralny
 - Przewód ZIELONO-ZÓŁTY - uziemienie.
- 1.8 Odstłoniętym kablem należy zapewnić bezpieczny przebieg i dodatkowo opancerzyć rurą ochronną, zwłaszcza, jeśli występuje zagrożenie kontaktu ze sprzętem ogrodowym takim jak widły i kosiarki, dziećmi i zwierzętami domowymi.
- 1.9 Do źródła zasilania **NALEŻY ZAMONTOWAĆ** wyłącznik różnicowoprądowy o maksymalnej czułości 30 mA.
- 1.10 Stałe instalacje elektryczne muszą być zgodne z krajowymi i lokalnymi przepisami. W razie jakichkolwiek wątpliwości przy podłączeniu do źródła zasilania, należy zwrócić się do wykwalifikowanego elektryka lub miejscowego zakładu energetycznego.
- 1.11 Używanie kabla zasilającego lub uchwytu do czyszczenia zawsze przy użyciu obydwu rąk, mocno chwytając krawędź pokrywy (Rys.5).
- 1.12 Nie siadać i nie opierać się na uchwycie! (Rys.4).
- 1.13 Nigdy nie podnosić filtra za uchwyt. Urządzenie należy przenieść zawsze przy użyciu obydwu rąk, mocno chwytając krawędź pokrywy (Rys.5).
- 1.14 Nie dopuszczają do wysuszenia filtra.
- 1.15 Gdy filtr jest używany, nie blokować rury wypływowej
- 1.16 Urządzenia nie należy użytkować, jeśli kabel zasilający został w jakikolwiek sposób uszkodzony. Kabla zasilającego nie można wymienić. Jeśli kabel jest uszkodzony, obudowę instalacji elektrycznej należy zutilizować zgodnie z miejscowymi przepisami.
- 1.17 Jeśli urządzenia nie eksploatuje się przez cały rok, należy je odpowiednio zabezpieczyć przed mrozem. (Patrz rozdział „Przechowywanie w okresie zimowym”).
- 1.18 Filtr należy zabezpieczyć przed bezpośrednim działaniem promieni słonecznych.
- 1.19 Urządzenie nie jest przeznaczone do użytkowania w wodzie o temperaturze powyżej 35°C lub poniżej 0°C.
- 1.20 Do urządzenia należy dobrać wyłącznie przeznaczone dla niego akcesoria. Używanie innych akcesoriów lub części zamiennych może spowodować utratę gwarancji.

Ogólne wytyczne

- 2.1 Na następnej stronie znajdują się dane techniczne stanowiące ogólne wytyczne dotyczące filtra i zalecanej pompy. Aby osiągnąć optymalne rezultaty należy jednak wziąć pod uwagę różne współczynniki warunkowe ze względu na ryzyko zmniejszenia możliwości filtra.
 - **Głębokość sadzawki:** Zależy się, aby minimalna głębokość sadzawek z karpiami Koi wynosiła 1,2 m (4'). W przypadku sadzawek o średniej głębokości mniejszej niż 0,75 m (2' 6") współczynnik warunkowy wynosi +25%. Płytkie sadzawki wystawione na bezpośrednie

działanie słońca szybko się nagrzewają. Wpływa to również na szybki wzrost glonów.

- **Umiejscowienie:** Dzienna ilość światła słonecznego lub cienia zależy od umiejscowienia sadzawki. Dla sadzawek wystawionych na bezpośrednie działanie słońca przez cały dzień współczynnik warunkowy wynosi +25%.
- **Warunki klimatyczne:** Klimat wpływa na temperaturę wody i aktywność ryb oraz ich zapotrzebowanie żywieniowe. Im ryby są bardziej aktywne, tym większe wymagania względem systemu filtracyjnego. W gorącym klimacie (np. Afryka Południowa), współczynnik warunkowy wynosi +35%. W klimacie umiarkowanym (np. Europa Południowa), współczynnik warunkowy wynosi +15%. W klimacie Europy Północnej (większość obszarów Wielkiej Brytanii), współczynnik warunkowy wynosi +0%.
- **PRZYKŁAD:** Sadzawka ze złotymi rybkami o pojemności 2200 litrów i głębokości 0,75m (Współczynnik warunkowy +25%). Sadzawka znajduje się w Londynie - w klimacie północnoeuropejskim (współczynnik warunkowy +0%). Sadzawka jest wystawiona na bezpośrednie działanie słońca (+25%). Faktyczna pojemność sadzawki jest zatem większa o 50% (25% + 25%), a więc należy użyć sprzętu przeznaczonego do sadzawek o pojemności 3300 litrów.

- 2.2 **Natężenie przepływu:** Aby uzyskać najlepsze rezultaty, całą pojemność sadzawki należy przepompować przez filtr Bioforce Rewolucji co 1½ - 2½ godziny, w sadzawkach z karpiami Koi zaleca się najszybsze natężenie przepływu. Nie przekraczać maksymalnego natężenia przepływu, zgodnie z tabelą danych technicznych. Aby woda w sadzawce była czysta, prędkość przepływu musi być prawidłowa. Jeśli instalacja nie jest narażona na wysokie straty (np. długi wąż), może okazać się, że w celu osiągnięcia 1½ - 2½ godzinowego cyklu filtracji, przepływ należy dostosować przy pomocy kranika regulującego przepływ.

Wąż o małej średnicy, zbyt długi przebieg węży oraz umiejscowienie pompy na dużej wysokości mogą znacznie obniżyć wydajność pompy. Zależy się wybór pompy, która zapewni odpowiedni przepływ względem jej wysokości statycznej (= pionowa odległość między powierzchnią sadzawki i wlotem filtra), plus 0,6m (2 stopy), aby uwzględnić straty tarcia w węzłach.

Celem filtracji jest przeniesienie zanieczyszczeń z sadzawki do filtra, tak więc używana w tym celu pompa powinna być w stanie przepompować ciała stałe, do takich pomp należą urządzenia produkcji Hozelock Cyprio z serii Aquaforce, specjalnie przeznaczone dla sadzawek o wielkościach odpowiadających parametrom filtrów Bioforce Revolution. Aby zapewnić optymalną cyrkulację wody oraz maksymalną zdolność usuwania zanieczyszczeń stałych, pompa powinna znajdować się w najgłębszym miejscu sadzawki. Pompa powinna być umieszczona na płaskiej powierzchni, znajdującej się 300mm powyżej dna sadzawki. Takie umieszczenie pompy zapobiega zasypaniu zanieczyszczeń bezpośrednio z dna sadzawki oraz pozwala pozostawić wystarczającą ilość wody w sadzawce w razie niezamierzonego wycieku wody.

Sprawdzanie natężenia przepływu: Napełnić naczynie o znanej pojemności mierząc czas, w jakim się napełni

(w sekundach). Podzielić liczbę 3 600 przez czas napełniania naczynia i pomnożyć przez pojemność naczynia (litry lub galony). Wynikiem jest natężenie przepływu w litrach lub galonach na godzinę (lph lub gph).

- 2.3 Gęstość zarybienia:** W normalnych warunkach i systemie karmienia, filtr Bioforce Revolution można stosować w sadzawkach o zarybieniu do 50 cm ryba na 1 000 litrów (10" ryba na 100 galonów) pojemności sadzawki. Zarybienie wprowadzać stopniowo dochodząc po kilku tygodniach do 20% maksymalnego zalecanego poziomu zarybienia, zwiększając o 50% po sześciu miesiącach. Zachowanie równowagi sprzyja wzrostowi ryb.
- 2.4 Zabieg leczniczy:** Niektóre produkty lecznicze mogą pod wpływem działania promieniowania UVC bardzo szybko się rozkładać. Podczas stosowania produktów leczniczych w sadzawce filtr można wyłączyć. Filtracja mechaniczna i biologiczna będzie nadal aktywna. Podczas usuwania zarastających powierzchni wody roślin ze stawku, wyłączyć pompę i filt do czasu, gdy wszystkie rośliny zostaną usunięte.
- 2.5** Należy zwrócić szczególną uwagę na wszelkie połączenia węży ponieważ przecieki są przyczyną strat wody w sadzawce.

Instalacja

- 3.1 Uwaga:** Stosując filtr Bioforce Revolution, nie należy stosować pompy o natężeniu przepływu większym niż 8000 l/h oraz nie umieszczać pompy wyżej niż 5 metrów.
- 3.2 Uwaga:** Filtry Bioforce Revolution należy instalować wyłącznie w pozycji pionowej (Rys.6).
- 3.3** Filtry Bioforce Revolution to zasilane pompą urządzenia składające się z filtra zewnętrznego pod ciśnieniem i zespołu emitującego promienie UVC, które można umieścić obok sadzawki zarówno nad ziemią (Rys.7) lub zakopać w ziemi (Rys.8) lub zamaskować u szczytu wodospadu.

Jeśli filtr ma się znajdować nad ziemią, umieścić filtr na płaskim podłożu.

Jeśli filtr ma być częściowo zakopany, wykop powinien być wypełniony silnie ubitym piaskiem. Jeśli filtr zakopany jest w ziemi, opaska zaciskowa pokrywy powinna wystawać co najmniej 50 mm nad grunt w celu łatwego zdejmowania podczas corocznej konserwacji.

- 3.4** Stosowanie węży o małej średnicy ogranicza przepływ wody. Im większa średnica węża, tym wydajność filtra jest wyższa, zwłaszcza gdy węże są długie. Końcówki znajdujące się w zestawie są przeznaczone do węży Cypriflex o średnicy 25mm (1"), 32mm (1¼") i 40 mm (1½"). Zaleca się, aby w celu uniknięcia ograniczenia natężenia przepływu wody stosować węże o średnicy 40 mm.

Końcówkę do węża należy przyciąć tak, aby odpowiadała średnicy wybranego węża, co zapobiega ograniczeniu natężenia przepływu wody (Rys.9).

aby uzyskać optymalną cyrkulację wody, pompa zasilająca filtr oraz wylot węża zwrotnego do sadzawki powinny być jak najbardziej oddalone od siebie, należy więc o tym pamiętać przy zakupie, pomiarze i

przycinaniu węża Cypriflex.

Przyłączyć wąż o odpowiedniej długości do pompy zasilającej i wlotu filtra (Rys.10 (i)) i zamocować końcówki do węża za pomocą dostępnych osobno obejm Hozelock Cyprio. Następnie do wylotu filtra (Rys.10 (ii)) w ten sam sposób przyłączyć wąż odpływowy o odpowiedniej długości. Szczegółowe informacje na temat wylotu do zaniczyszczeń (Rys.10 (iii)), znajdują się w rozdziale „Czyszczenie.”

Umieścić pompę w sadzawce w odpowiednim miejscu i umieścić końcówkę węża wylotowego tak, aby przefiltrowana woda wracała do sadzawki.

Podczas umieszczania węży należy unikać załamań i ostrych zakrętów. Przebieg węży powinien być możliwie jak najkrótszy, aby nie ograniczać natężenia przepływu.

- 3.5** Uchwyt obrotowy powinien znajdować się nad obudową elektryczną. Znajdujące się w zestawie pokrętko uchwyty i pokrywę należy zamocować na uchwycie mechanizmu czyszczącego, charakterystyczne kliknięcie oznacza, że znajdując się we właściwym miejscu (Rys.11).

Filtr jest teraz gotowy do użycia.

Praca

- 4.1** Upewnić się, że zawór przełączający jest podłączony do odpływu sadzawki (Rys.12).
- 4.2** Podłączyć przewód zasilający filtra (patrz sekcja 1 - Bezpieczeństwo połączeń elektrycznych). W ten sposób włącza się lampę UVC. Działanie lampy można sprawdzić patrząc przez okienko wzornikowe znajdujące się w górnej części obudowy. Błękitna poświata oznacza prawidłowe działanie lampy UV (Rys.1 (c)).
- 4.3** Włączyć pompę.
- 4.4** **Czas pracy filtra:** Filtr powinien funkcjonować 24 godziny na dobę. W optymalnych warunkach, filtr powinien funkcjonować przez cały rok, a koniecznie w okresie karmienia ryb (tj. aż temperatura wody spadnie poniżej 10°C). Eksploatacja filtra i pompy w okresie zimowym pozwala utrzymać odpowiednie środowisko bakteryjne filtra Bioforce na podstawowym poziomie oraz zapobiega zamrazaniu sadzawki. Jeśli filtr jest w okresie zimowym wyłączony, należy go dokładnie umyć przed ponownym rozpoczęciem filtracji na wiosnę (patrz "Przechowywanie w okresie zimowym", 11.0). Nie karmić ryb, jeśli filtr nie działa.

Dojrzwianie

- 5.1** Biologiczne dojrzwianie oznacza, że filtr został skolonizowany przez bakterie nityfikacyjne, które przetwarzają rybie odchody i inne szkodliwe związki organiczne (np. amoniak, azotyny) na względnie nieszkodliwe azotany. Proces dojrzwiania trwa zazwyczaj 6-8 tygodni, ale zależy to od wielu czynników, takich jak temperatura wody, intensywność karmienia i gęstość zarybienia. Dojrzwianie biologiczne filtra można przyspieszyć dodając specjalny środek, taki jak Hozelock Cyprio Filter Start.

Czyszczenie

Kiedy należy wyczyścić filtr Bioforce Revolution.

Filtry Bioforce Revolution zapewniają optymalną wydajność

przy minimalnej konserwacji. Jeśli sadzawka jest silnie zanieczyszczona, filtr trzeba będzie na początku czyścić co kilka dni, ponieważ szybko pobiera zanieczyszczenia. Gdy woda w sadzawce się przeczyszczy, zanieczyszczeń będzie mniej, a zatem częste czyszczenie nie będzie konieczne. Filtry ciśnieniowe funkcjonują najefektywniej, gdy pianka częściowo się zapełni. Niemniej jednak, w miarę zapełniania pianki, przepływ wody staje się utrudniony i filtr należy oczyścić.

6.1 Wyłączyć pompę z sieci.

6.2 Przyłączyć wąż o odpowiedniej długości do wylotu zanieczyszczeń (Rys.10 (iii)) za pomocą dołączonej końcówki i obejmy. Koniec węża odprowadzającego zanieczyszczenia umieścić nad odpływem lub w kwietniku. Zanieczyszczona woda z sadzawki stanowi doskonały nawóz.

6.3 kilkakrotnie obrócić uchwyt. Należy wykonać kilka obrotów w lewo i prawo (Rys.13). Podczas obracania uchwytu, żółte ostrza czyszczące (Rys.2 (g)) obracają się rozdzielając i wyciskając każdą piankę i zebrane w niej zanieczyszczenia uwalniają ją się.

6.4 Zawór przełączający obrócić do pozycji usuwania zanieczyszczeń (Rys.14). „kliknięcie” oznacza prawidłową pozycję zaworu.

6.5 Włączyć pompę.

6.6 Obracać uchwyt (pełne obroty w obu kierunkach). Na początku zanieczyszczona woda będzie miała intensywny zielony lub brązowy kolor w zależności od poziomu zanieczyszczenia sadzawki.

Po pewnym czasie intensywność barwy zanika i woda znacznie się oczyszcza. W tym momencie należy przestać obracać uchwyt i ustawić go w pozycji wyjściowej nad obudową główną (Rys.15).

Odczekać 5 sekund, aż wypłyną ostatnie zanieczyszczenia i obrócić zawór przełączający z powrotem do sadzawki.

OSTRZEŻENIE: Pozostawienie zaworu w pozycji usuwania zanieczyszczeń spowoduje opróżnienie sadzawki. Upewnić się, że zawór jest przełączony do odpływu sadzawki.

6.7 Czas potrzebny do oczyszczenia filtra zależy od kilku czynników, jednak regularne czyszczenie filtra skraca czas czyszczenia. Zazwyczaj czyszczenie filtra trwa kilka minut.

Od czasu do czasu wodę w sadzawce należy uzupełnić, aby zrekompensować ilość wody utraconej podczas czyszczenia sadzawki. Częściowa wymiana wody jest ważnym elementem utrzymania odpowiednich warunków w instalacji wodnej sadzawki.

Konserwacja

Ostrzeżenie: Przed otwarciem urządzenia należy zapoznać się z instrukcją konserwacji filtra.

Ostrzeżenie: Nie zdejmować pokrywy lub obudowy instalacji elektrycznej podczas pracy pompy i filtra. Urządzenie posiada szczelinę, w której można zamontować kłódkę zapobiegającą przypadkowemu otwarciu filtra. Zamontowanie kłódki zaleca się zwłaszcza, gdy do sadzawki mają dostęp dzieci.

7.1 Wymiana lampy UV:

Ostrzeżenie: Przed odłączeniem promiennika UV-C urządzenie należy odłączyć od zasilania.

Wydajność lampy UV znacznie zmniejsza się wraz z upływem czasu i należy ją wymieniać co 12 miesięcy, nawet jeśli nadal świeci.

7.1.1 Wyłączyć zasilanie pompy zasilającej i filtra.

7.1.2 Obrócić zawór przełączający do pozycji usuwania zanieczyszczeń. Pozwala to wyrównać ciśnienie wewnętrzne z ciśnieniem atmosferycznym oraz ułatwia usunięcie obudowy instalacji elektrycznej bez ryzyka wessania wody na górną powierzchnię pokrywy.

7.1.3 Obrócić uchwyt mechanizmu czyszczącego o pół obrotu, tak, aby nie blokował obudowy (Rys.16 (i)).

7.1.4 Za pomocą śrubokręta usunąć 5 śrub mocujące obudowę instalacji elektrycznej do pokrywy. (Rys.16 (ii)). Pomiędzy otworem wlotowym i wylotowym filtra znajduje się szczelina, w której można umieścić śruby podczas wymiany lampy (Rys.16 (iii)).

7.1.5 Chwycić obudowę i delikatnie pociągnąć do góry. Obrócić obudowę do góry dnem i umieścić na suchej powierzchni.

7.1.6 Rys.17. Odkręcić pierścień mocujący tuleję kwarcową (i). Delikatnie przytrzymać tuleję kwarcową (ii), podnieść i usunąć wraz z uszczelkami (iii) i pierścieniem mocującym.

7.1.7 Usunąć zużyty lampę, delikatnie wyjmując ją z oprawki i usunąć czarną zaślepkę z końcówki lampy (Rys.17 (iv)) oraz usunąć płytkę odblaskową (Rys.17 (v)). Zużyty lampę usunąć zgodnie z miejscowymi przepisami i zamontować nową lampę.

7.1.8 Zamontować płytkę odblaskową i wcisnąć czarną zaślepkę na końcówkę lampy.

7.1.9 Przesunąć tuleję kwarcową w dół nad lampę. Obie uszczelki typu o-ring znajdujące się na dole tulei kwarcowej powinny być czyste.

7.1.10 Przesunąć pierścień mocujący w dół nad tuleję kwarcową i zamocować. Pierścień mocujący należy przykręcić aż do pocucia maksymalnego oporu śruby.

7.1.11 Zamontować obudowę instalacji elektrycznej. Obudowę można zamontować wyłącznie w jednej pozycji, nie należy więc wciskać jej na siłę. Gdy znajduje się w odpowiedniej pozycji, zamocować 5 śrub. Śruby należy w pełni dokręcić tak, aby uruchomić przełącznik blokady.

7.1.12 Obrócić zawór przełączający do odpływu sadzawki i ustawić uchwyt mechanizmu czyszczącego w pozycji wyjściowej.

7.1.13 Ponownie uruchomić pompę uprzednio sprawdzając jej szczelność, a następnie włączyć lampę UV. Sprawdzić działanie lampy UV za pomocą okienka wzornikowego.

7.2 Czyszczenie kwarcowej tulei UV:

na osłonie lampy kwarcowej może osadzać się kamień, szczególnie jeśli woda jest twarda. Nagromadzenie się osadu zmniejsza wydajność urządzenia. Aby ją wyczyścić, należy wyłączyć pompę i odciąć dopływ prądu do promiennika, usunąć obudowę zgodnie z instrukcją w pkt 7.1, i przetrzeć lampę kwarcową miękką szmatką zwilżoną łagodnym środkiem czyszczącym, np. octem (patrz Rys.18). Podczas czyszczenia lampy kwarcowej należy nosić odzież ochronną, np. okulary ochronne i rękawice.

7.3 Wymiana pianki Cypricube:

Stan pianki należy co roku kontrolować.

Częstotliwość wymiany pianki będzie zależeć od ustawień filtra. Zaleca się wymianę pianki w okresie zimowym i przed rozpoczęciem karmienia ryb na początku wiosny*. Wymiana pianki w innych porach roku może spowodować zmiany składu chemicznego wody w sadzawce, a to może być szkodliwe dla ryb.

* Woda w sadzawce ochładza się jesienią, aktywność ryb stopniowo zanika. Układ trawienny i odpornościowy ryb spowalnia i nie mogą trawić tego samego rodzaju pożywienia, który dostają w okresach cieplejszych. Jeżeli są głodne będą żywić się bardziej prostym pokarmem naturalnie występującym w środowisku wodnym sadzawki. Dlatego też, gdy temperatura wody w sadzawce spada poniżej 10°C przez dłuższy okres czasu, ryb nie należy karmić. Na początku wiosny, gdy aktywność ryb wzrasta, można ponownie stopniowo rozpocząć karmienie.

- 7.3.1 Wyłączyć zasilanie pompy zasilającej i filtra.
- 7.3.2 Obrócić zawór przełączający do pozycji usuwania zanieczyszczeń. Umożliwia to wyrównanie ciśnienia wewnętrznego z ciśnieniem atmosferycznym i ułatwia usunięcie pokrywy.
- 7.3.3 Otworzyć zacisk pokrywy (Rys.2 (n)). Ostrożnie zwolnić i zdjąć pokrywę, podważając dwoma lewarkami w przeciwległych szczelinach (Rys.19). Zdjęcie pokrywy będzie łatwiejsze, jeśli podłączone węże będą odłączone.
- 7.3.4 Unieść i wyjąć wkład piankowy (Rys.2 (i)) i usunąć zużytą piankę. Wylać wodę z wnętrza pojemnika filtra i zebrać Bio-media za pomocą siatki. Bio-media nie wymagają konserwacji.
- 7.3.5 Jeżeli na dnie pojemnika znajdują się zanieczyszczenia, należy je wypłukać wodą z sadzawki.
- 7.3.6 Umieścić Bio-media w pojemniku tak, aby znajdowały się wokół bio-tuby (fig.2 (o)), na dnie pojemnika. Bio-media nie mogą znajdować się wewnątrz bio-tuby (Rys. 20).
- 7.3.7 Umieścić wkład piankowy w pojemniku. Obrócić wkład piankowy tak, aby trójkątne wypustki znalazły się w jednej linii z pionowymi wytłoczeniami wewnątrz pojemnika (Rys.21). Wkład piankowy opadnie we właściwe miejsce. **Wkład piankowy należy umieścić prawidłowo, aby zapewnić właściwe położenie pokrywy.**
- 7.3.8 Napełnić wkład piankowy zalecaną ilością pianki Cypricube. Nowa pianka może zajmować nieco więcej miejsca. Pianka nie może znajdować się w otworze na środku pojemnika gdzie znajduje się bio-tuba.
- Pianki nie należy ubijać, aby zmieściło się jej więcej. należy ją luźno wsypać, a jej poziom nie może być wyższy od pojemnika filtra (Rys.22). Zbyt duża ilość pianki utrudni czyszczenie filtra.**
- 7.3.9 Należy zwrócić uwagę, aby uszczelka (Rys.2 (1)) w górnej części pojemnika filtracyjnego znajdowała się na właściwym miejscu i nie było na niej zanieczyszczeń. Aby ułatwić montaż, uszczelkę można pokryć cienką warstwą smaru silikonowego. Zamocować pokrywę. Przesunąć centralną czarną tuleję przykrywającą lampę UV w dół przez otwór centralny.
- 7.3.10 Zamocować zacisk pokrywy. Należy się upewnić, że poziom wody nie przekroczył granicy zacisku, a dźwignia zawiasu powinna być regularnie smarowana smarem na bazie oleju.

7.3.11 Obrócić zawór przełączający do odpływu sadzawki i ustawić uchwyt mechanizmu czyszczącego w pozycji wyjściowej.

7.3.12 Ponownie uruchomić pompę sprawdzając uprzedniego jej szczelność. Następnie włączyć lampę UV. Sprawdzić działanie lampy UV za pomocą okienka wziernikowego.

Przechowywanie w okresie zimowym

8.1 W okresie zimowym (gdy aktywność ryb i wzrost glonów zanika) urządzenie można wyłączyć. Filtr należy wyjąć z sadzawki, dokładnie umyć, wyczyścić i osuszyć i przechowywać w suchym miejscu chroniąc przed mrozem. Podczas przechowywania, pokrywę filtra należy zdjąć, aby zapewnić odpowiednią wentylację i suszenie.

Środki zaradcze / często zadawane pytania/questions

Problem	Możliwa przyczyna	Środek zaradczy
Wody nie przepływa przez filtr do sadzawki.	Wyłączona lub niewłaściwie działająca pompa.	Sprawdzić, czy pompa działa i jest włączona.
	Niedrożny wąż zasilający.	Sprawdzić, czy wąż zasilający i wąż zwrotny są drożne.
Zmniejszone natężenie przepływu przez filtr	Zawór przełączający ustawiony w pozycji „usuwanie zanieczyszczeń”	Obrócić zawór przełączający do pozycji „sadzawka.”
	Pianka niedrożna.	Wyczyścić filtr (patrz „Czyszczenie”).
	Niedrożny wąż zasilający.	Sprawdzić, czy wąż zasilający i wąż zwrotny są drożne.

Problem	Możliwa przyczyna	Środek zaradczy
Woda nie oczyszcza się	Nowy filtr jeszcze nie dojrzał.	Klarowność wody w sadzawce powinna się poprawić w ciągu 2-3 tygodni, ale pełne dojrzewanie biologiczne może trwać 6-8 tygodni zanim filtr osiągnie pełną wydajność.
	Źle dobrana wielkość filtra do sadzawki.	Sprawdzić czy filtr jest odpowiedni do pojemności sadzawki.
	Niewłaściwa dobrana wydajność pompy zasilającej.	Sprawdzić natężenie przepływu. Patrz punkt 2.2.
	Spalona lampka UV.	Sprawdzić lampkę UV za pomocą okienka wziernikowego. Wymienić lampkę UV.
	Zużyta lampka UV.	Wymienić lampkę UV co 12 miesięcy.
	Pianka wymaga czyszczenia.	Wyczyścić filtr (patrz „Czyszczenie”).
	Wylot węża zwrotnego jest umieszczony powyżej pompy zasilającej.	Przenieść pompę lub wylot węża zwrotnego tak, aby były jak najbardziej oddalone od siebie.
Zbyt dużo ryb w sadzawce.	Zmniejszyć liczbę ryb w sadzawce.	
	Przekarmianie.	Ryby należy karmić taką ilością pokarmu, którą są w stanie spożyć w ciągu kilku minut. Karmić raz dziennie.
Uchwyt mechanizmu czyszczącego nie obraca się.	Pompa pracuje w momencie rozpoczęcia czyszczenia.	Wyłączyć pompę. Obrócić uchwyt kilkukrotnie w obu kierunkach. Włączyć pompę (patrz „Czyszczenie”).

Gwarancja klarownej wody Hozelock Cyprio Clearwater

GWARANTUJEMY PAŃSTWU CZYSTĄ, PRZEZROCZYSTĄ WODĘ LUB ZWRÓT PIENIĘDZY. Gwarancja obejmuje wszystkie produkty serii Hozelock Cyprio Bioforce Revolution, pod warunkiem, użytkownik stosuje odpowiednią do rodzaju filtra pompę. Okres gwarancji wynosi 12 miesięcy od daty zakupu, pod warunkiem spełnienia przez użytkownika następujących wymogów

- Zastosowanie się do instrukcji instalacji i obsługi.
- Stosowanie sprzętu o właściwej wydajności, zgodnie z tabelą rozmiarów podaną przez Hozelock Cyprio.
- Kontakt z biurem obsługi (0121 313 1122) na tyle wcześniej,

aby umożliwić właściwe rozpatrzenie problemu.

- Zwrot produktu w stanie nieuszkodzonym.

Upoważnienie do zwrotu pieniędzy wydaje wyłącznie firma Hozelock Cyprio, a jego realizacja następuje wyłącznie w miejscu zakupu w wysokości kosztu zakupu filtra. Należy pamiętać, że gwarancja Clearwater nie obejmuje przypadków, gdy przyczyną utraty klarowności wody jest występowanie zielenic, a nie glonów zielonych.

Dwuletnia gwarancja Hozelock Cyprio

Jeśli filtr Bioforce Revolution (oprócz lampy) przestanie działać w ciągu 2 lat od daty zakupu, zostanie bezpłatnie naprawiony lub wymieniony według uznania producenta, o ile nie został zniszczony. Producent nie odpowiada za szkody powstałe w wyniku wypadku, nieprawidłowej instalacji lub niewłaściwego użytkowania. Odpowiedzialność producenta ogranicza się do wymiany wadliwego urządzenia. Niniejsza gwarancja jest niezbywalna. Gwarancja nie ma wpływu na ustawowe prawa użytkownika. Aby skorzystać z gwarancji, należy skontaktować się z biurem obsługi klienta firmy Hozelock Cyprio (0121 313 1122), które może poprosić o wystanie urzędzenia wraz z dowodem zakupu bezpośrednio na poniższy adres.

Kontakt / Części zamienne

www.hozelock.com

Dane techniczne

Numer części	1352	1353	1354
Seria	Bioforce Revolution		
Napięcie (V)	230V 50Hz		
Moc promiennika UVC (W)	18	24	36
Maksymalna pojemność sadzawki z rybami	6000 l (1320 galonów)	9000 l (1980 galonów)	14000 l (3080 galonów)
Maksymalna pojemność sadzawki bez ryb	12000 l (2640 galonów)	18000 l (3960 galonów)	28000 l (6160 galonów)
Maksymalna wydajność pompy Hozelock Cyprio Aquaforce (l/godz.)	4000	6000	8000
Maksymalne natężenie przepływu, QMax, (l/godz.)	3000	4500	7000
Stopień ochrony IP	IP57	IP57	IP57
Maksymalna temperatura wody Tmax,, (°C)	35°C	35°C	35°C
Układ czyszczenia Bioforce Revolution	✓	✓	✓

* Pomiar w warunkach kontrolowanych



Urządzeń elektrycznych nie należy wyrzucać wraz z niesortowanymi odpadami komunalnymi, należy je oddać do specjalistycznych punktów zbiórki odpadów. Miejscowy urząd udziela informacji na temat dostępnych metod usuwania odpadów. Jeśli urządzenia elektryczne są składowane na wysypiskach śmieci, niebezpieczne substancje mogą przenikać do wód gruntowych i dostać się do łańcucha pokarmowego działając szkodliwie na zdrowie. Na terytorium Uni Europejskiej sprzedawca jest prawnie zobowiązany do nieodpłatnego przyjęcia użytego sprzętu i jego utylizacji w przypadku wymiany użytych urządzeń na nowe..

GR

Σας ευχαριστούμε που επιλέξατε ένα ποιοτικό προϊόν της Hozelock, μπορείτε να είστε βέβαιοι ότι θα έχετε αξιόπιστη λειτουργία του.

- a** Ηλεκτρικό περίβλημα.
- b** Συναρμολόγηση καπακιού.
- c** Φακός ενδείκτη λάμπας UV.
- d** Κουμπί χειρολαβής καθαρισμού.
- e** Χειρολαβή καθαρισμού.
- f** Βαλβίδα αναστροφής.
- g** Δάχτυλα καθαρισμού (Κίτρινα).
- h** Περιβλήμα UV.
- i** Κουβάς αφρού.
- j** Αφρός Cypricube.
- k** Βιο-μέσα.
- l** Παρέμβυσμα στεγάνωσης δοχείου.
- m** Δοχείο φίλτρου.
- n** Σφικτήρας καπακιού.
- o** Βιο-χοάνη.
- p** Ουρά σωλήνα & παξιμάδι.
- q** Μοχλός.

ΕΓΚΑΤΑΣΤΑΣΗ ΚΑΙ ΟΔΗΓΙΕΣ ΛΕΙΤΟΥΡΓΙΑΣ



ΔΙΑΒΑΣΤΕ ΠΡΟΣΕΚΤΙΚΑ ΤΙΣ ΟΔΗΓΙΕΣ ΠΡΟΤΟΥ ΞΕΚΙΝΗΣΕΤΕ ΤΗΝ ΕΓΚΑΤΑΣΤΑΣΗ.

FAILURE ΤΥΧΟΝ ΑΜΕΛΕΙΑ ΤΗΡΗΣΗΣ ΤΩΝ ΣΥΓΚΕΚΡΙΜΕΝΩΝ ΠΡΟΕΙΔΟΠΟΙΗΣΕΩΝ ΠΙΘΑΝΟ ΝΑ ΈΧΕΙ ΩΣ ΣΥΝΕΠΕΙΑ ΤΡΑΥΜΑΤΙΣΜΟΥΣ, ΒΛΑΒΕΣ ΣΤΟ ΠΡΟΪΟΝ Η ΑΠΩΛΕΙΑ ΨΑΡΙΩΝ.

ΚΡΑΤΗΣΤΕ ΤΙΣ ΟΔΗΓΙΕΣ ΓΙΑ ΜΕΛΛΟΝΤΙΚΗ ΧΡΗΣΗ.

Το Hozelock Cyprus Bioforce Revolution είναι μία νέα αντίληψη στο φίλτράρισμα νερού εύκολης συντήρησης για λιμνούλες κήπων.

Είναι :

- Συμπαγές και αποδοτικό
- Εύκολης εγκατάστασης.
- Εύκολου καθαρισμού και συντήρησης.
- Μπορεί να τοποθετηθεί σχεδόν παντού.

Όταν χρησιμοποιείται σε συνδυασμό με την κατάλληλη αντλία λίμνης, βελτώνει την διαύγεια του νερού, αφαιρεί την ανεπιθύμητη στερεά ουσία από την λίμνη και μετατρέπει τα διαλυμένα οργανικά και χημικά απορρίματα των ψαριών σε αβλαβείς ουσίες.

Προειδοποίηση: Ακτινοβολία UV

Η συγκεκριμένη συσκευή περιλαμβάνει πομπό UV-C. Unintended Τυχόν μη-επιτηρούμενη χρήση της συσκευής ή βλάβη στο περίβλημα πιθανόν να προκαλέσουν την διαρροή επικίνδυνης ακτινοβολίας UV-C. Η ακτινοβολία UV-C μπορεί, ακόμη και σε μικρές δόσεις, να προκαλέσει βλάβη στα μάτια και το δέρμα. Η λάμπα είναι εφοδιασμένη με κλειδαριά, η οποία θα απενεργοποιήσει την λάμπα σε περίπτωση που ανοιχθεί το ηλεκτρικό περίβλημα.

Όταν ενεργοποιηθεί, η λειτουργία της λάμπας μπορεί να ελεγχεί αν δείτε μια γαλαζωπή λάμψη από τον ενδείκτη του φακού UV. Μην λειτουργείτε το προϊόν στεγνό.

Προειδοποίηση: Μην προσπαθήσετε να λειτουργήσετε τον πομπό UV-C όταν αυτός αφαιρεθεί από το περίβλημα της συσκευής.

Σημαντικό

Η συσκευή δεν θα πρέπει να χρησιμοποιείται από οποιαδήποτε άτομα (συμπεριλαμβανομένων παιδιών) που παρουσιάζουν μειωμένες φυσικές, αισθητηριακές ή νοητικές ικανότητες, ή χωρίς εμπειρία και γνώση, εκτός και αν βρίσκονται υπό την επίβλεψη ή έλαβαν κατάλληλες οδηγίες σχετικά με την χρήση της συσκευής από άτομο που είναι υπεύθυνο για την ασφάλειά τους. Τα παιδιά θα πρέπει οπωσδήποτε να βρίσκονται υπό επίβλεψη ώστε να μην χρησιμοποιήσουν την συσκευή ως παιχνίδι. Αν η συσκευή υποστεί εμφανή βλάβη δεν θα πρέπει να χρησιμοποιηθεί.

Προειδοποίηση: Ασφάλεια και ηλεκτρικές συνδέσεις

- 1.1** ΠΡΟΕΙΔΟΠΟΙΗΣΗ: ΠΑΝΤΟΤΕ ΝΑ ΑΠΟΣΥΝΔΕΕΤΕ ΟΛΕΣ ΤΙΣ ΣΥΣΚΕΥΕΣ ΤΗΣ ΛΙΜΝΟΥΛΑΣ ΑΠΟ ΤΗΝ ΠΑΡΟΧΗ ΗΛΕΚΤΡΙΚΗΣ ΤΡΟΦΟΔΟΣΙΑΣ ΠΡΟΤΟΥ ΒΥΘΙΣΕΤΕ ΤΑ ΧΕΡΙΑ ΣΑΣ ΣΤΟ ΝΕΡΟ ΚΑΤΑ ΤΗΝ ΔΙΑΡΚΕΙΑ ΕΓΚΑΤΑΣΤΑΣΗΣ, ΣΥΝΤΗΡΗΣΗΣ Η ΔΙΑΧΕΙΡΙΣΗΣ ΤΗΣ ΣΥΣΚΕΥΗΣ.
- 1.2** Το φίλτρο σχεδιάστηκε για χρήση αποκλειστικά από λιμνούλες κήπου. Μην χρησιμοποιείτε το φίλτρο για οποιοδήποτε άλλο σκοπό (π.χ., για χρήση σε πισίνες, κ.ο.κ.). Τυχόν χρήση του προϊόντος διαφορετική από την προσδιοριζόμενη στο παρόν πιθανόν να έχει ως αποτέλεσμα τραυματισμούς ή βλάβες στο προϊόν.
- 1.3** Συσκευές που έχουν εμφανείς βλάβες δεν θα πρέπει να χρησιμοποιούνται.
- 1.4** Ο διάφανος σωλήνας που βρίσκεται μέσα στην μονάδα είναι κατασκευασμένος από πυριτικό γυαλί και θα πρέπει να λαμβάνεται ιδιαίτερη προφύλαξη κατά την εγκατάσταση και συντήρησή του. Συστήνουμε την χρήση προστατευτικών γυαλιών και κατάλληλων γαντιών.

1.5 Το φίλτρο Bioforce Revolution είναι ανθεκτικό στις καιρικές συνθήκες, ωστόσο δεν μπορεί να βυθιστεί στο νερό. Τοποθετήστε τη μονάδα σε όρθια θέση κοντά στη λιμνούλα, όχι όμως σε σημείο στο οποίο να κινδυνεύει να πέσει στο νερό ή σε σημείο στο οποίο το έδαφος μουσκεύει (Ανατρέξτε στην ενότητα “Εγκατάσταση”).

1.6 **Σημαντικό:** Το συγκεκριμένο προϊόν συνοδεύεται από ηλεκτρικό καλώδιο τριπλού πυρήνα 5 μέτρων. Το καλώδιο που παρέχεται με το προϊόν δεν είναι υδατοστεγές και θα πρέπει να συνδέεται με τον οικιακή τροφοδοσία μέσα σε στεγνό και προστατευμένο από καιρικές συνθήκες περιβάλλον, βάση των τοπικών κανονισμών σας.

1.7 **ΠΡΟΕΙΔΟΠΟΙΗΣΗ:** Η συσκευή θα ΠΡΕΠΕΙ να είναι γεωμμένη, και είναι ουσιώδους σημασίας όπως οι συνδέσεις γίνονται βάση του παρακάτω κώδικα:

- ΚΑΦΕ - φάση
- ΜΠΛΕ - ουδέτερο
- ΠΡΑΣΙΝΟ/ΚΙΤΡΙΝΟ - γείωση.

1.8 Τυχόν εκτεθειμένα τμήματα καλωδίου θα πρέπει να τοποθετούνται με την ανάλογη φροντίδα και να προστατεύονται από θωρακισμένο αγωγό, ειδικά σε περίπτωση που υψίσταται κίνδυνος επαφής με εξοπλισμό κηπουρικής, όπως τσουγκράνες και χαρτοκοπτικές, ή με παιδιά και οικίδια ζώα.

1.9 Μια συσκευή προστασίας ρεύματος διαρροής (Residual Current Device RCD) 30mA θα ΠΡΕΠΕΙ να τοποθετηθεί στην οικιακή τροφοδοσία.

1.10 Οι μόνιμες εγκαταστάσεις στην οικιακή τροφοδοσία θα πρέπει να συμμορφώνονται με τους εθνικούς και τοπικούς κανονισμούς καλωδιώσεων. Εφόσον έχετε οποιαδήποτε αμφιβολία σχετικά με την τροφοδοσία συμβουλευτείτε καταρτισμένο ηλεκτρολόγο ή την τοπική αρχή.

1.11 Ποτέ μην χρησιμοποιείτε το καλώδιο τροφοδοσίας ή τη χειρολαβή καθαρισμού για να ανυψώνετε ή μετακινείτε το φίλτρο επειδή κάτι τέτοιο πιθανόν να προκαλέσει βλάβες. Αν το φίλτρο πρέπει να μετακινηθεί, θα πρέπει αρχικά το προϊόν να απενεργοποιηθεί και αποστραγγιστεί. Στην συνέχεια, θα πρέπει να ανυψώσετε το προϊόν πιάνοντάς το από το σημείο στο οποίο το καπάκι βιδώνεται στο κυρίως σώμα.

1.12 Ποτέ μην κάθεται επάνω ή πιέζετε τη χειρολαβή καθαρισμού! (Σχ. 4).

1.13 Ποτέ μην ανυψώνετε το φίλτρο χρησιμοποιώντας τη χειρολαβή καθαρισμού. Μεταφέρετε τη μονάδα πιάνοντας την σταθερά από το χέιλος του καπακιού (Σχ. 5).

1.14 Μην λειτουργείτε το φίλτρο στεγνό

1.15 Μην μπλοκάρτε τις εξαγωγές ενόσω λειτουργεί το φίλτρο.

1.16 Μην χρησιμοποιήσετε το συγκεκριμένο προϊόν αν το καλώδιο τροφοδοσίας υπέστη οποιαδήποτε βλάβη. Το καλώδιο τροφοδοσίας δεν μπορεί να αντικατασταθεί. Αν το καλώδιο τροφοδοσίας υποστεί οποιαδήποτε βλάβη, το ηλεκτρικό περιβάλλον πρέπει να απορριφθεί σύμφωνα με τους τοπικούς κανονισμούς.

1.17 Προστατέψτε το από παγετό, σε περίπτωση που η μονάδα δεν θα λειτουργεί σε συνεχή βάση.

(Ανατρέξτε στην ενότητα “Φροντίδα κατά το χειμώνα”).

1.16 Προστατέψτε το φίλτρο από την άμεση ηλιακή ακτινοβολία.

1.17 Το συγκεκριμένο προϊόν δεν προορίζεται για χρήση σε θερμοκρασίες νερού πέραν των 35°C ή κατώ από 0°C.

1.20 Χρησιμοποιήστε πρόσθετων που σχεδιάστηκαν αποκλειστικά για χρήση με το συγκεκριμένο προϊόν. Τυχόν χρήση διαφορετικού τύπου πρόσθετων ή ανταλλακτικών πιθανόν να ακυρώσει την εγγύησή σας.

Γενικές οδηγίες

2.1 Το φύλλο διαγράμματος τεχνικών πληροφοριών περιέχει γενικές οδηγίες σχετικά με τις προδιαγραφές του φίλτρου και της προτεινόμενης αντλίας. Ωστόσο, για καλύτερα αποτελέσματα, θα πρέπει να ληφθούν υπόψη και επιπλέον παράγοντες, δεδομένου ότι οι συγκεκριμένοι υπονομεύουν την απόδοση του φίλτρου.

• **Βάθος λιμνούλας:** Η Hozelock Cyprio συνιστά ελάχιστο βάθος 1.2μ. (4') για λιμνούλες Κοί. Για λιμνούλα με μέσο βάθος μικρότερο του 0.75μ. (2' 6"), ο Παράγοντας συνθηκών είναι + 25%. Στις ρηχές λιμνούλες η ηλιακή ακτινοβολία φτάνει μέχρι τον πυθμένα, με αποτέλεσμα να ζεσταίνονται γρήγορα. Αυτό έχει ως αποτέλεσμα την ανάπτυξη άλγης.

• **Τοποθεσία:** Η τοποθεσία της λιμνούλας προσδιορίζει την ημερήσια πρόσληψη ηλιακής ακτινοβολίας ή σκιάς. Λιμνούλες πλήρως εκτεθειμένες στην ηλιακή ακτινοβολία σε συνεχή βάση έχουν Παράγοντα συνθηκών +25%.

• **Κλίμα:** Το κλίμα επηρεάζει τις θερμοκρασίες που αναπτύσσονται στο νερό και τα ρυθμός δραστηριότητας/απαιτήσεις ταΐσματος των ψαριών. Όσο πιο ενεργά είναι τα ψάρια, τόσο μεγαλύτερες είναι οι απαιτήσεις που αντιμετωπίζει το σύστημα φιλτραρίσματος. Σε ζεστά κλίματα (π.χ. Νότια Αφρική), ο Παράγοντας συνθηκών +35% Σε εύκρατα κλίματα (π.χ. Νότια Ευρώπη), ο Παράγοντας συνθηκών είναι +15% Σε βορειοευρωπαϊκό κλίμα (π.χ. περισσότερες περιοχές της Μεγάλης Βρετανίας), ο Παράγοντας συνθηκών είναι +0%.

ΠΑΡΑΔΕΙΓΜΑ: Έχετε μια λίμνη 2200 λίτρων, βάθους 0.75m για χρυσόψαρα (Παράγοντας συνθηκών +25%). Ζείτε στο Λονδίνο - βορειοευρωπαϊκό κλίμα (Παράγοντας συνθηκών +0%). Η λιμνούλα είναι εκτεθειμένη σε πλήρη ηλιοφάνεια (+25%). Κατά συνέπεια, ο αποτελεσματικός όγκος της λιμνούλας σας αυξάνεται κατά 50% (25% + 25%), και θα πρέπει να υπολογίσετε το μέγεθος του εξοπλισμού σας βάση χωρητικότητας 3300 λίτρων της λιμνούλας σας.

2.2 **Ρυθμός ροής:** Για καλύτερα αποτελέσματα, το σύνολο του νερού της λιμνούλας σας περνάει διαμέσω του Bioforce Revolution κάθε 1½ - 2½ ώρες, ο οποίος είναι ο υψηλότερος ρυθμός ροής που συστήνεται για τις λιμνούλες Κοί. Μην υπερβείτε το μέγιστο ρυθμό ροής, όπως αυτός προσδιορίζεται στο φύλλο διαγράμματος τεχνικών πληροφοριών. Ο ορθός ρυθμός ροής είναι ουσιώδεις για να έχετε καθαρό νερό. Αν η εγκατάστασή σας δεν υποφέρει από υψηλές απώλειες (π.χ. μεγάλους σωλήνες)

πιθανόν να είναι αναγκαίο να προσαρμόσετε τη ροή για να επιτύχετε το ρυθμό ανακύκλωσης των 1½ - 2½ χρησιμοποιώντας μια βρύση ελέγχου ροής σωλήνα.

Σωλήνες μικρής διαμέτρου, αδικαιολόγητα μακριοί σωλήνες και υψηλή ανύψωση άντλησης (‘κεφαλή’) μπορούν να μειώσουν σημαντικά την απόδοση της αντλίας. Συστήνουμε όπως επιλέξετε μια αντλία που θα αποδίδει την απαιτούμενη ροή βόθρη της πλήρους στατικής ανύψωσης (= κάθετη απόσταση μεταξύ της επιφάνειας της λιμνούλας και της εισαγωγής του φίλτρου), συν 0.6μ. (2πδ.) ώστε να επιτρέπονται οι απώλειες λόγω τριβής στους σωλήνες.

Ο σκοπός του φιλτραρίσματος είναι να μεταφέρει κατάλοιπα από την λιμνούλα στο φίλτρο, συνεπώς οποιαδήποτε αντλία χρησιμοποιείται ως μέρος του συνόλου θα πρέπει να είναι ικανή να διαχειρίζεται στερεά, όπως ισχύει με την γκάμα αντλιών Aquaforce της Hozelock Cyprío, οι οποίες σχεδιάστηκαν ειδικά για λιμνούλες της γκάμας μεγεθών που καλύπτεται από το Bioforce Revolution. Η αντλία θα πρέπει να τοποθετηθεί στο βαθύτερο κομμάτι της λιμνούλας ώστε να διασφαλιστεί η βέλτιστη κυκλοφορία του νερού στη λιμνούλα και να βελτιστοποιηθούν οι ικανότητες διαχείρισης στερεών. Η αντλία θα πρέπει να τοποθετηθεί σε μια οριζόντια επίπεδη πλατφόρμα, η οποία να είναι ανυψωμένη σε ύψος 300χιλ. από τον πυθμένα της λιμνούλας. Αυτό θα αποτρέψει την τυχόν αναρρόφηση βρωμιάς κατευθείαν από τον πυθμένα της λιμνούλας, και θα διασφαλίσει επίσης ότι στην λιμνούλα θα παραμείνει επαρκής ποσότητα νερού, σε περίπτωση τυχαίας διαρροής νερού της λιμνούλας.

Πως να ελέγχετε το ρυθμό ροής: Πάρτε ένα κάνιστρο γνωστού όγκου και χρονομετήστε πόσο θα χρειαστεί για να γεμίσει (σε δευτερόλεπτα). Στη συνέχεια διαιρέστε το 3600 διά του αριθμού δευτερολέπτων που χρειάζονται για να γεμίσει το κάνιστρο, και πολλαπλασιάστε το επί τον όγκο (λίτρα ή γαλόνια) χωρητικότητας του κανίστρου. Το αποτέλεσμα που θα λάβετε είναι ο ρυθμός ροής σε λίτρα ή γαλόνια ανά ώρα.

- 2.3 Πυκνότητα εκτροφής ψαριών Υπό φυσιολογικές συνθήκες και σχήμα εκτροφής, η γκάμα Bioforce Revolution θα υποστηρίξει έως 50εκ. ανά 1000 λίτρα (10³ ψαριών ανά 100 γαλόνια) χωρητικότητας λιμνούλας. Απελευθερώνετε τα ψάρια αργά στην λιμνούλα κατά τις πρώτες μερικές εβδομάδες, έως το 20% του μέγιστου προτεινόμενου επιπέδου, αυξάνοντας το συγκεκριμένο σε 50% μετά από έξι εβδομάδες. Το συγκεκριμένο ισοζύγιο θα επιτρέψει την ανάπτυξη των ψαριών.

- 2.4 **Πρόσθετα λιμνούλας:** Ορισμένες φαρμακευτικά σκευάσματα/πρόσθετα που χρησιμοποιούνται πιθανόν να διασπαστούν πολύ σύντομα από την ακτινοβολία UVC. Εξετάστε την πιθανότητα να απενεργοποιήσετε το φίλτρο κατά τη διάρκεια φαρμακευτικής αγωγής. Το μηχανικό και βιολογικό φίλτράρισμα θα συνεχίσει να λειτουργεί.

Αν καθαρίζετε την πισίνα σας από βρύα, απενεργοποιήστε την αντλία και το φίλτρο για όλη τη διάρκεια της διαδικασίας, μέχρι που να αφαιρεθούν όλα τα βρύα από την πισίνα.

- 2.5 Ιδιαίτερη φροντίδα θα πρέπει ληφθεί σε σχέση με τυχόν συνδέσεις σωλήνων, επειδή τυχόν διαρροές

θα έχουν ως αποτέλεσμα την απώλεια νερού από τη λιμνούλα.

Εγκατάσταση

- 3.1 **Σημαντικό:** Μη χρησιμοποιήσετε αντλία με ρυθμό ροής μεγαλύτερο των 8000 λίτρων ανά ώρα, ή μέγιστη κεφαλή μεγαλύτερη των 5μ. σε συνδυασμό με την γκάμα φίλτρων Bioforce Revolution.
- 3.2 **Σημαντικό:** Τα φίλτρα Bioforce Revolution θα πρέπει να εγκαθίστανται αποκλειστικά σε όρθια κάθετη θέση (Σχ. 6).
- 3.3 Τα φίλτρα Bioforce Revolution τροφοδοτούνται από αντλία, περιλαμβάνουν μονάδες συμπιεζόμενου εξωτερικού φίλτρου και UVC, και είναι κατάλληλα είτε για υπέργεια (Σχ. 7) ή υπόγεια (Fig 8) εγκατάσταση, κοντά στην λιμνούλα σας ή στο επάνω άκρο καταρράκτη.

Αν επιλέξετε υπέργεια εγκατάσταση του φίλτρου, τοποθετήστε το σε επίπεδο οριζόντιο έδαφος.

Αν επιλέξετε ημι-υπόγεια εγκατάσταση του φίλτρου, η εκκαφή θα πρέπει να γεμίσει με συμπιεσμένη άμμο, ώστε να υποστηρίξει τη μονάδα. Αν επιλέξετε το συγκεκριμένο τύπο εγκατάσταση, θα πρέπει να φήσετε ελάχιστο διάκενο 50χιλ. μεταξύ του σφικτήρα και του επιπέδου του εδάφους, ώστε να διασφαλίσετε ότι θα αφαιρείται εύκολα για την ετήσια συντήρηση.

- 3.4 Τυχόν χρήση σωλήνων μικρής διαμέτρου θα έχει ως αποτέλεσμα υπερβολικό περιορισμό της ροής νερού. Όσο μεγαλύτερη είναι η διάμετρος του σωλήνα που χρησιμοποιείτε, τόσο καλύτερη θα είναι η απόδοση του φίλτρου, ειδικά σε μεγάλα μήκη σωλήνα. Οι ουρές σωλήνα που παρέχονται με τη συγκεκριμένη μονάδα είναι συμβατές με σωλήνες των 25χιλ. (1"), 32χιλ. (1½") και 40χιλ. (1½") της σειράς Cypriflex. Πάντοτε θα συστήνουμε ότι στα φίλτρα Bioforce Revolution θα πρέπει να χρησιμοποιείται ο σωλήνας διαμέτρου 40χιλ. για να αποφεύγεται η παρεμπόδιση της ροής νερού.

Μόλις επιλέξετε την διάμετρο σωλήνα που επιθυμείτε να χρησιμοποιήσετε, κόψτε τα βήματα από την ουρά σωλήνα που είναι μικρότερα από τη διάμετρο του σωλήνα, ώστε να εξαλείψετε την παρεμπόδιση (Σχ. 9).

Η αντλία που τροφοδοτεί το φίλτρο και η τροφοδοσία του σωλήνα επιστροφής της λιμνούλας θα πρέπει να είναι όσο το δυνατόν πιο μακριά ή μία από την άλλη για να επιτυγχάνεται η βέλτιστη κυκλοφορία του νερού, συνεπώς θα πρέπει να έχετε και το συγκεκριμένο υπόψη όταν αγοράζετε, μετράτε και κόβετε το σωλήνα Cypriflex.

Προσαρμόστε σωλήνα κατάλληλου μήκους μεταξύ της αντλίας τροφοδοσίας και της εισαγωγής φίλτρου (Σχ. 10 (i)) και ασφαλίστε το σωλήνα στις ουρές σωλήνα με χρήση των συνδετήρων σωλήνα Hozelock Cyprío, οι οποίοι διατίθενται ξεχωριστά. Στη συνέχεια συνδέστε σωλήνα κατάλληλου μήκους στην εξαγωγή του φίλτρου (Σχ. 10 (ii)) με τον ίδιο τρόπο. Για λεπτομέρειες σχετικά με την εξαγωγή απορριμμάτων For details on the waste outlet (Σχ. 10 (iii)), ανατρέξτε στην ενότητα "Καθαρισμός".

Τοποθετήστε την αντλία στην λιμνούλα, σε κατάλληλη τοποθεσία και θέση στο άκρο του σωλήνα εξαγωγής, έτσι ώστε το νερό να επιστρέφει στη λιμνούλα.

Αποφύγετε τυχόν σπειρώματα και αιχμηρές καμπυλώσεις όταν τοποθετείτε τους σωλήνες. Φροντίστε οι σωλήνες να είναι του μικρότερου δυνατού μήκους, ώστε να ελαχιστοποιήσετε την παρεμπόδιση ροής.

- 3.5 Διασφαλίστε ότι η ελικοειδής χειρολαβή είναι τοποθετημένη επάνω από το ηλεκτρικό περίβλημα. Εντοπίστε το κουμπί και το κάλυμμα της ελικοειδούς χειρολαβής και συνδέστε τα στη χειρολαβή καθαρισμού, τοποθετώντας τα στη χειρολαβή και σπρώχνωντάς τα στη θέση τους (Σχ. 11).

Το φίλτρο σας είναι τώρα έτοιμο για χρήση.

Λειτουργία

- 4.1 **Διασφαλίστε ότι η βαλβίδα αναστροφής είναι προσανατολισμένη προς την εξαγωγή της λιμνούλας (Σχ. 12).**
- 4.2 Συνδέστε το καλώδιο τροφοδοσίας του φίλτρου (Δείτε ενότητα 1 – Ασφάλεια και ηλεκτρικές συνδέσεις). Αυτό ενεργοποιεί τη λάμπα UVC. Μπορείτε να ελέγξετε εάν η λάμπα λειτουργεί εάν εντοπίζετε τη γαλαζωπή λάμψη στο φακό ενδείκτη της λάμπας UV στο άνω μέρος του περιβλήματος (Σχ. 1 (c)).
- 4.3 Ενεργοποιήστε την αντλία.
- 4.4 **Περίοδοι λειτουργία:** Βεβαιωθείτε ότι το φίλτρο λειτουργεί σε εικοσιτετράωρη βάση. Σε ιδεώδεις συνθήκες, θα πρέπει να λειτουργεί ολόκληρη τη χρονά, οπωσδήποτε όμως κατά τη διάρκεια της περιόδου ανάπτυξης (δηλαδή μέχρι που η θερμοκρασία του νερού να κατέβει κάτω από τους 10°C). Το χειμώνα, η λειτουργία της αντλίας και του φίλτρου θα συντηρήσει ένα βασικό επίπεδο ωφέλιμων βακτηρίων στο Bioforce και θα διασφαλίσει ότι δεν θα παγώσει η λιμνούλα. Αν απενεργοποιήσετε την αντλία κατά τη διάρκεια του χειμώνα, πλύνετε καλά το φίλτρο προτού επαναρχίσετε το φιλτράρισμα την άνοιξη (δείτε "Αποθήκευση για χειμώνα", 11.0). Ποτέ μην ταΐζετε τα ψάρια σας όταν δεν χρησιμοποιείται το φίλτρο.

Ωρίμανση

- 5.1 Η βιολογική ωρίμανση σημαίνει ότι το φίλτρο δημιούργησε αρκετά νιτροποιητικά βακτήρια για τη μετατροπή των βλαβερών απορριμμάτων που προέρχονται τόσο από τα ψάρια όσο και από άλλες οργανικές αιτίες (π.χ. αμμωνία, νιτρώδη) σε σχετικά αβλαβή νιτρικά. Η διαδικασία υπό κανονικές συνθήκες διαρκεί 6-8 weeks, ωστόσο εξαρτάται από παράγοντες όπως τη θερμοκρασία του νερού, το ρυθμό τάσματος και την πυκνότητα των ψαριών. Επιταχύνετε την ωρίμανση προσθέτοντας ένα παράγοντα ωρίμανσης, όπως το Hozelock Cyprio Filter Start.

Καθαρισμός

Πότε θα πρέπει να καθαρίζετε το Bioforce Revolution. Τα φίλτρα Bioforce Revolution παρέχουν μέγιστη απόδοση με ελάχιστη συντήρηση. Αν η λιμνούλα είναι πολύ βρώμικη, το φίλτρο πιθανόν να χρειάζεται καθαρίσιμα κάθε μερικές μέρες στα αρχικά στάδια, δεδομένου ότι συσσωρεύει απορρίμματα με πολύ γρήγορο ρυθμό. Μόλις η λιμνούλα καθαρίσει, θα υπάρχουν λιγότερα απορρίμματα, συνεπώς το φίλτρο θα χρειάζεται πολύ λιγότερο καθαρίσιμα. Τα

συμπιεζόμενα φίλτρα αποδίδουν τα μέγιστα όταν ο αφρός μπλοκάρει σε κάποιο ποσοστό. Ωστόσο, καθώς το μπλοκάρισμα αυξάνεται, ο ρυθμός ροής μειώνεται, καθώς λιγότερο νερό μπορεί να κινηθεί μέσω του αφρού, με αποτέλεσμα να χρειάζεται καθαρίσιμα.

- 6.1 Αποσυνδέστε την αντλία από την τροφοδοσία.
- 6.2 Συνδέστε σωλήνα κατάλληλου μήκους στην εξαγωγή απορριμμάτων (Σχ. 10 (iii)) χρησιμοποιώντας την ουρά σωλήνα που παρέχεται, μαζί με ένα συνδετήρα. Το άκρο του σωλήνα απορριμμάτων μπορεί να τοποθετηθεί επάνω από αποστράγγιση ή σε παρτέρι. Το νερό του απορρίπτεται είναι εξαιρετικά λιπάσιμα.
- 6.3 Περιτλιζέτε τη χειρολαβή αρκετές φορές. Συστήνουμε αρκετά σπειρώματα, τόσο δεξιόστροφης όσο και αριστερόστροφης κατεύθυνσης (Σχ. 13). Καθώς η χειρολαβή περιστρέφεται, οι κίτρινες λεπίδες καθαρισμού (Σχ. 2 (g)) θα περιστρέφονται με αποτέλεσμα να διαλύουν και συμπιέζουν κάθε κύβο αφρού, απελευθερώνοντας τα κατάλοιπα που μάζεψαν.
- 6.4 Γυρίστε την βαλβίδα επιστροφής στη θέση απορρίμματα (Σχ. 14). Θα ακούσετε ένα "κλικ".
- 6.5 Ενεργοποιήστε την αντλία.
- 6.6 Συνεχίστε την περιέλιξη της χειρολαβής (ολοκληρωμένες περιελίξεις και στις δύο κατευθύνσεις). Αρχικά, το νερό που απορρίπτεται θα παρουσιάζει έντονο πράσινο ή καφέ χρώμα, αναλόγως της διαρρύθμισης της λιμνούλας σας. Μετά από σύντομη περίοδο η ένταση του χρώματος του απορριπώμενου νερού μειώνεται και το νερό θα ξεκινήσει να καθαρίζει. Σε αυτό το σημείο, σταματήστε την περιέλιξη και επιστρέψτε τη χειρολαβή στη θέση αποθήκευσης επάνω από το κύριο περίβλημα (Σχ. 15).

Περιμένετε 5 ώστε να απορριφθούν και τα τελευταία κομμάτια απορριμμάτων, και γυρίστε την βαλβίδα επιστροφής πίσω στη λιμνούλα.

ΠΡΟΕΙΔΟΠΟΙΗΣΗ: Σε περίπτωση που η βαλβίδα παραμείνει στη θέση απορριμμάτων, θα αδειάσει η λιμνούλα. Βεβαιωθείτε ότι την γυρίσατε πίσω στην εξαγωγή της λίμνης.

- 6.7 Ο χρόνος που απαιτείται για να καθαρίσετε το φίλτρο εξαρτάται από διάφορους παράγοντες, ωστόσο όσο πιο τακτικά το καθαρίζετε, τόσο λιγότερος χρόνος θα απαιτείται για το καθαρίσιμα. Τυπικά, το καθαρίσιμα θα χρειάζεται λίγα μόνο λεπτά.

Κατά διαστήματα, θα πρέπει να γεμίζετε την λιμνούλα σας ώστε να αντικαθιστάτε το απορριπώμενο νερό που αφαιρείται κατά το καθαρίσιμα. Η μερική αλλαγή νερού κατά χρονικά διαστήματα είναι μια σημαντική πλευρά της διατήρησης ενός υγιούς συστήματος νερού λιμνούλας.

Συντήρηση

Προειδοποίηση: Διαβάστε τις συγκεκριμένες οδηγίες συντήρησης προτού ανοίξετε την συσκευή.

Προειδοποίηση: μην επιχειρήσετε να αφαιρέσετε το καπάκι ή το ηλεκτρικό περίβλημα, όταν η αντλία και το φίλτρο είναι σε χρήση. Στο συνδετήρα του καπακιού παρέχεται μια οποια κλειδαριά, ώστε να προλαμβάνεται τυχαία άνοιγμά του, και συστήνουμε

όπως χρησιμοποιείται όπου είναι πιθανό να έρθει σε επαφή με παιδιά.

7.1 Αντικατάσταση της λάμπας UV:

Προειδοποίηση: Η συσκευή πρέπει να αποσυνδεθεί από την τροφοδοσία ισχύος προτού αποσυνδεστεί τον πομπή the UV-C.

Η αποδοτικότητα της λάμπας UV μειώνεται σημαντικά με τον καιρό, γι' αυτό θα πρέπει να αντικαθίσταται κάθε 12 μήνες, ακόμη και αν η λάμπα είναι ακόμη λειτουργική.

7.1.1 Απενεργοποιήστε την ισχύ που τροφοδοτείται στην αντλία και το φίλτρο.

7.1.2 Ρυθμίστε τη βαλβίδα επιστροφή στα απορρίμματα. Αυτό επιτρέπει την εξισορρόπηση της εσωτερικής πίεσης με την ατμοσφαιρική, και επιτρέπει την εύκολη αφαίρεση του ηλεκτρικού περιβλήματος χωρίς να εμφανίζεται απορρόφηση νερού στην άνω επιφάνεια του καπακιού.

7.1.3 Περιτυλίξτε τη χειρολαβή καθαρισμού κατά μισή στροφή ώστε να μην εμποδίζει το ηλεκτρικό περίβλημα (Σχ. 16 (i)).

7.1.4 Χρησιμοποιήστε ένα κατσαβίδι για να αφαιρέσετε τις 5 βίδες που ασφαλίζουν το ηλεκτρικό περίβλημα στο καπάκι. (Σχ. 16 (ii)). Υπάρχει μια θήκη μεταξύ της εισαγωγής και της εξαγωγής του φίλτρου για να αποθηκεύετε εκεί τις βίδες κατά την αλλαγή της λάμπας (Σχ. 16 (iii)).

7.1.5 Πιάστε το ηλεκτρικό περίβλημα και τραβήξτε το απαλά προς τα πάνω για να αφαιρέσετε το ηλεκτρικό περίβλημα. Γυρίστε ανάποδα το περίβλημα και τοποθετήστε το σε μια στεγνή και επίπεδη επιφάνεια.

7.1.6 Σχ. 17. Ξεβιδώστε το κολάρο κλειδώματος του πυριτικού σωλήνα (i). Κρατήστε απαλά τον πυριτικό σωλήνα (ii), ανυψώστε τον και αφαιρέστε τον μαζί με τα παρεμβύσματα (iii) και το κολάρο κλειδώματος.

7.1.7 Αφαιρέστε την παλιά λάμπα τραβώντας την απαλά από το φορέα της και αφαιρέστε το μαύρο μαύρο καπάκι προστασίας από το άκρο της λάμπας (Σχ. 17 (iv)) και αφαιρέστε την πλάκα ανακλαστήρα (Σχ. 17 (v)). Απορρίψτε την παλιά λάμπα βάση των τοπικών κανονισμών και τοποθετήστε τη νέα λάμπα.

7.1.8 Επανατοποθετήστε την πλάκα ανακλαστήρα και στρώστε το μαύρο καπάκι στο άκρο της λάμπας.

7.1.9 Στρώξτε τον πυριτικό σωλήνα προς τη λάμπα. Διασφαλίστε ότι τα δύο παρεμβύσματα στη βάση του πυριτικού σωλήνα είναι καθαρά και απαλλαγμένα από κατάλοιπα.

7.1.10 Στρώξτε το κολάρο κλειδώματος επάνω από τον πυριτικό σωλήνα και βιδώστε το. Θα πρέπει να το βιδώσετε μέχρι που το κολάρο κλειδώματος να φτάσει σχεδόν στο στοπ του περιβλήματος, και να μην μπορεί να βιδώσει περισσότερο.

7.1.11 Τοποθετήστε ξανά το ηλεκτρικό περίβλημα. Το περίβλημα μπορεί να τοποθετηθεί μόνο σε μια θέση, γι' αυτό μην προσπαθήσετε να το πιέσετε προς τα κάτω. Μόλις είναι στη θέση του, βιδώστε ξανά τις 5 βίδες. Οι βίδες πρέπει να βιδώσουν πλήρως ώστε να διασφαλιστεί ότι ενεργοποιήθηκε ο διακόπτης κλειδώματος.

7.1.12 Γυρίστε την βαλβίδα επιστροφής πίσω στη λιμνούλα και τοποθετήστε τη χειρολαβή καθαρισμού στη θέση αποθήκευσης.

7.1.13 Επανεκκινήστε την αντλία αρχικά για να ελέγξετε για τυχόν διαρροές, και στη συνέχεια ενεργοποιήστε τη λάμπα UV. Ελέγξτε για τη γαλοζωπή λάμψη από τους φακούς ενδείκτη UV.

7.2 Φροντίδα του πυριτικού φακού UV:

Ειδικά σε περιοχές που παρουσιάζουν υψηλή σκληρότητα νερού, ο σωλήνας πυριτίπου που μονώνει τη λάμπα UVC πιθανόν να καλυφθεί από ασβεντόλιθο. Αυτό θα μειώσει την αποδοτικότητα της μονάδας, σε περίπτωση που αυτό ισχύσει. Για να τον καθαρίσετε, απενεργοποιήστε την αντλία και την τροφοδοσία ισχύος στη UV, αφαιρέστε το ηλεκτρικό περίβλημα, όπως περιγράφεται στο 7.1, και σφουγγίστε τον πυριτικό σωλήνα με μαλακό ρούχο μουσεκίμο σε απαλό καθαριστικό, όπως το ζύδι (Δείτε σχ. 18). Θα πρέπει να φοράτε προστατευτικό ρουχισμό όταν καθαρίζετε τον πυριτικό σωλήνα, όπως γυαλιά ασφαλείας και γάντια.

7.3 Αντικατάσταση αφρού Cypribuc:

Θα πρέπει να επιθεωρείτε τον αφρό μια φορά ανά έτος. Η συχνότητα της αντικατάστασης του αφρού θα εξαρτάται από τη διαρρύθμιση της λιμνούλας σας. Συστήνουμε όπως οι συγκεκριμένοι αφροί αντικαθιστούνται κατά το χειμώνα, και προτού ξεκινήσετε να ταΐζετε τα ψάρια κατά την έναρξη της άνοιξης*. Η αλλαγή του αφρού σε κάποια άλλη χρονική στιγμή του έτους μπορεί να προκαλέσει την αλλαγή της χημείας της λιμνούλας, και αυτό πιθανόν να βλάψει τα ψάρια σας.

*Καθώς το νερό της λιμνούλας κρύνει κατά το φθινόπωρο, τα ψάρια ξεκινούν να επιβραδύνουν, ως προετοιμασία για περίοδο ημι-νάρκωσης. Το πεπτικό και ανοσοποιητικό σύστημά τους επιβραδύνονται, και δεν είναι σε θέση να αφομοιώσουν τους ίδιους τύπους τροφών με αυτούς κατά τη διάρκεια των θερμότερων μηνών. Αν πεινούν θα τραφούν με απλούστερες τροφές που υψίστανται με φυσικό τρόπο στο περιβάλλον της λιμνούλας. Συνεπώς, μόλις η θερμοκρασία του νερού της λιμνούλας πέσει κάτω από τους 10°C για παρατεταμένη χρονική περίοδο, θα πρέπει να σταματήσετε να τρέφετε τα ψάρια σας. Μόλις αρχίσει ο καιρός να ζεσταίνεται στην αρχή της άνοιξης, και τα ψάρια αυξάνουν το επίπεδο δραστηριότητάς τους, μπορείτε σταδιακά να ξεκινήσετε να τα τρέφετε.

7.3.1 Απενεργοποιήστε την ισχύ που τροφοδοτείται στην αντλία και το φίλτρο.

7.3.2 Ρυθμίστε τη βαλβίδα επιστροφή στα απορρίμματα. Αυτό επιτρέπει την εξισορρόπηση της εσωτερικής πίεσης με την ατμοσφαιρική, και επιτρέπει την εύκολη αφαίρεση του καπακιού.

7.3.3 Ξεκλειδώστε το σφιγκτήρα του καπακιού (Σχ. 2(n)). Απελευθερώστε χαλαρά και αφαιρέστε το καπάκι χρησιμοποιώντας τους 2 μοχλούς της αντικρινής εισόδους (Fig 19). Μπορεί να σας βοηθήσει αν αφαιρέσετε τους συνδεδεμένους σωλήνες.

7.3.4 Ανυψώστε και αφαιρέστε τον κουβά αφρού (Σχ. 2(ii)) και απορρίψτε τον παλιό αφρό. Αδειάστε το νερό από το δοχείο του φίλτρου, μαζεύοντας το βιο-μέσο σε ένα δίχτυ. Το βιο-μέσο δεν απαιτεί οποιοδήποτε είδους συντήρηση.

7.3.5 Αν ο πυθμένας του δοχείου είναι καλυμμένος από στρώμα λάσπης, ξεπλύνετε το με λίγο από το νερό

της λιμνούλας.

7.3.6 Αντικαταστήστε το βιο-μέσο διασφαλίζοντας ότι είναι τοποθετημένο γύρω από τη βιο-χοάνη (Σχ. 2(ο)) στον πυθμένα του δοχείου. Δεν πρέπει να υφίσταται καθόλου βιο-μέσο μέσα στη βιο-χοάνη (Σχ. 20).

7.3.7 Τοποθετήστε τον κουβά αφρού μέσα στο δοχείο. Περιστρέψτε τον κουβά αφρού μέχρι που τα μικρά τρίγωνα στο πάνω μέρος του να ευθυγραμμιστούν με μία από τις κάθετες γραμμές στο εσωτερικό του δοχείου του φίλτρου (Σχ. 21). Ο κουβάς αφρού θα καθίσει στη θέση του. **Διασφαλίστε ότι ο κουβάς αφρού είναι σωστά τοποθετημένος για να επιτρέπει την εύκολη τοποθέτηση του καπακιού.**

7.3.8 Γεμίστε τον κουβά αφρού με την προτεινόμενη ποσότητα ανταλλακτικού αφρού Cypricube. Μην ανησυχείτε αν οι νέοι κύβιοι ξηού αφρού καταλαμβάνουν σχετικά περισσότερο χώρο ενόσω είναι ακόμα φρέσκοι. Διασφαλίστε ότι δεν πέφτει αφρός από την κεντρική οπή μέσα στην περιοχή της βιο-χοάνης.

Ποτέ μην πιέζετε τον αφρό για να χωρέσει περισσότερος. Ο ξηρός αφρός θα πρέπει να είναι χαλαρός και δεν θα πρέπει να γεμίζει περισσότερο από το δοχείο του φίλτρου (Σχ. 22). Αν προσθέσετε υπερβολική ποσότητα αφρού θα δυσκολέψει τον καθαρισμό του φίλτρου.

7.3.9 Βεβαιωθείτε ότι το σφράγισμα (Σχ. 2(II)) στο πάνω μέρος του δοχείου του φίλτρου είναι στη θέση του και απαλλαγμένο από βρωμιά και κατάλοιπα. Προσθέστε μια λεπτή στρώση σιλικονόχου γράσου στο σφράγισμα, αν απαιτείται, για να διευκολύνετε την συναρμολόγηση. Επανατοποθετήστε το καπάκι. Σπρώξτε τον κεντρικό μαύρο σωλήνα που καλύπτει τη λάμπα UV μέσω της κεντρικής οπής.

7.3.10 Τοποθετήστε ξανά το σφινκτήρα του καπακιού. Διασφαλίστε ότι δεν υφίσταται συγκέντρωση νερού πίσω από το σφινκτήρα και λαδώστε τον αρθρωτό μοχλό με λιπαντικό βάσης λαδιού.

7.3.11 Γυρίστε τη βαλβίδα επιστροφής πίσω στη λιμνούλα και τοποθετήστε τη χειρολαβή καθαρισμού στη θέση αποθήκευσης.

7.3.12 Ξεκινήστε ξανά την αντλία αφού ελέγξετε πρώτα για διαρροές. Στη συνέχεια ενεργοποιήστε τη λάμπα UV. Ελέγξτε για τη γαλαζωπή λάμψη από τους φακούς ενδείκτη UV.

Επίλυση προβλημάτων / Συχνές ερωτήσεις

Πρόβλημα	Πιθανή αιτία	Αποκατάσταση
Δεν υφίσταται ροή νερού μέσω του φίλτρου προς τη λιμνούλα.	Η αντλία τροφοδοσίας δεν είναι συνδεδεμένη ή δεν λειτουργεί.	Βεβαιωθείτε ότι η αντλία λειτουργεί και είναι ενεργοποιημένη.
	Ο σωλήνας τροφοδοσίας είναι μπλοκαρισμένος.	Ελέγξτε το σωλήνα τροφοδοσίας και το σωλήνα επιστροφής λιμνούλας για τυχόν μπλοκαρίσματα.
	Η βαλβίδα επιστροφής ρυθμίζεται στο "Απορρίμματα"	Ρυθμίστε την βαλβίδα επιστροφής στο "Λιμνούλα".
Μειωμένη ροή μέσω του φίλτρου	Οι αφροί μπλοκάρονται.	Καθαρίστε το φίλτρο (Ανατρέξτε στο "Καθάρισμα").
	Ο σωλήνας τροφοδοσίας είναι μπλοκαρισμένος.	Ελέγξτε το σωλήνα τροφοδοσίας και το σωλήνα επιστροφής λιμνούλας για τυχόν μπλοκαρίσματα.

Αποθήκευση κατά το χειμώνα

8.1 In cold winter weather (when fish are inactive and algae growth ceases) the unit may be switched off. Θα πρέπει στη συνέχεια να αφαιρεθεί, να πλυθεί καλά, να καθαριστεί, να στεγνώσει και στη συνέχεια να αποθηκευτεί σε μια στεγνή και προστατευμένη από παγετό περιοχή. Αποθηκεύετε πάντοτε τη μονάδα με το καπάκι ανοιχτό ώστε να διασφαλίσετε την παροχή επαρκούς εξαερισμού και στεγνώματος.

Πρόβλημα	Πιθανή αιτία	Αποκατάσταση
Το νερό δεν καθαρίζεται	Το νέο φίλτρο δεν ωρίμασε ακόμη.	Η διαύγεια του νερού της λιμνούλας θα πρέπει να ξεκινήσει να βελτιώνεται μέσα σε 2-3 εβδομάδες, ωστόσο η πλήρης βιολογική ωριμότητα μπορεί να διαρκέσει 6-8 προτού το φίλτρο ωριμάσει πλήρως.
	Φίλτρο λανθασμένου μεγέθους για τη λιμνούλα σας.	Βεβαιωθείτε ότι χρησιμοποιείτε το κατάλληλο φίλτρο για τη διαρρύθμιση της λιμνούλας σας.
	Αντλία τροφοδοσίας λανθασμένου μεγέθους.	Ελέγξτε το ρυθμό ροής. Ανατρέξτε στο 2.2.
	Καμένη λάμπα UV.	Ελέγξτε το φακό ενδεικτη λάμπας. Αντικαταστήστε τη λάμπα UV.
	Παλιά λάμπα UV.	Θα πρέπει να αντικαταστήσετε τη λάμπα UV κάθε 12 μήνες.
	Οι αφροί χρειάζονται καθαρισμό.	Καθαρίστε το φίλτρο (Ανατρέξτε στο "Καθάρισμα").
	Η εξαγωγή του σωλήνα επιστροφής της λιμνούλας είναι τοποθετημένη επάνω από την αντλία τροφοδοσίας.	Μετακινήστε την αντλία ή την εξαγωγή του σωλήνα επιστροφής λιμνούλας ώστε να είναι όσο το δυνατόν πιο μακριά το ένα από το άλλο.
	Η συγκέντρωση ψαριών στη λιμνούλα είναι υπερβολική.	Μειώστε την ποσότητα ψαριών στη λιμνούλα σας.
Η χειρολαβή καθαρισμού δεν περιστρέφεται.	Υπερβολικό τάισμα.	Θα πρέπει να ταΐζετε τα ψάρια σας με τόση τροφή όση μπορούν να καταναλώσουν σε λίγα λεπτά. Ένα τάισμα την ημέρα μόνο.
	Η αντλία λειτουργεί στην εκκίνηση του καθαρισμού.	Ενεργοποιήστε την αντλία. Περιτυλίξτε την χειρολαβή και στις δύο διευθύνσεις αρκετές φορές. Ενεργοποιήστε την αντλία (Ανατρέξτε στο "Καθάρισμα").

Εγγύηση Hozelock Cyprio Clearwater

ΕΓΓΥΟΜΑΣΤΕ ΤΗΝ ΠΑΡΟΧΗ ΚΑΘΑΡΟΥ ΝΕΡΟΥ Η ΕΠΙΣΤΡΟΦΗ ΤΩΝ ΧΡΗΜΑΤΩΝ ΣΑΣ για το Hozelock Cyprio Bioforce Revolution, όταν χρησιμοποιείται σε συνδυασμό με την κατάλληλη αντλία. Η συγκεκριμένη εγγύηση ισχύει για 12 μήνες μετά την αγορά, δεδομένου ότι

- Ακολουθήσατε τις οδηγίες εγκατάστασης και λειτουργίας.
- Χρησιμοποιείτε εξοπλισμό κατάλληλου μεγέθους, βάση των πληροφοριών διαστασιολόγησης του Hozelock Cyprio.
- Συμβουλευέστε την Γραμμή βοήθειάς μας (0121 313 1122) σε σύντομο διάστημα μετά την εμφάνιση προβλημάτων, ώστε αυτά να τεθούν στην οπτική τους διάσταση.
- Το προϊόν επιστράφηκε αβλαβές.

Επιστροφή χρημάτων μπορεί να πραγματοποιηθεί μόνο από τη Hozelock Cyprio και αποδίδεται μόνο στο σημείο αγοράς και μέχρι την αξία αγοράς του φίλτρου. Παρακαλώ σημειώστε ότι η εγγύηση Clearwater δεν καλύπτει απώλεια της διαύγειας του νερού λόγω κάλυψής του από ζιζάνια, σε αντίθεση με την άλγη του γλυκού νερού.

Εγγύηση 2 Hozelock Cyprio

Αν το Bioforce Revolution (με την εξαίρεση της λάμπας) καταστεί μη-λειτουργικό κατά τα 2 πρώτα έτη που ξεκινούν από την ημερομηνία αγοράς του θα επιδιορθωθεί ή αντικατασταθεί βάσει της επιθυμίας σας, δωρεάν, εκτός έχει υποστεί βλάβη ή κατάχρηση, κατά την γνώμη μας. Ευθύνη δεν είναι αποδεκτή για βλάβη που προήλθε από ατύχημα, λανθασμένη εγκατάσταση ή χρήση. Η ευθύνη περιορίζεται στην αντικατάσταση της ελαττωματικής μονάδας. Η εγγύηση δεν μεταβιβάζεται. Δεν επηρεάζει τα αποκλειστικά σας δικαιώματα. Για να επωφεληθείτε από την εγγύηση, επικοινωνήστε αρχικά με τις Υπηρεσίες Καταναλωτή της Hozelock Cyprio (0121 313 1122) οι οποίες πιθανόν να ζητήσουν να στείλετε πίσω τη μονάδα μαζί με την απόδειξη αγοράς στην παρακάτω διεύθυνση.

Επικοινωνία/Ανταλλακτικά εξαρτήματα

www.hozelock.com

Τεχνικές Πληροφορίες

Αριθμός εξαρτήματος	1352	1353	1354
Γκάμα	Bioforce Revolution		
Volt (V)	230V 50Hz		
Ισχύς UVC (W)	18	24	36
Μέγιστο μέγεθος λιμνούλας με ψάρια	6000 λ. (1320 γαλ.)	9000 λ. (1980 γαλ.)	14000 λ. (3080 γαλ.)
Μέγιστο μέγεθος λιμνούλας χωρίς ψάρια	12000 λ. (2640 γαλ.)	18000 λ. (3960 γαλ.)	28000 λ. (6160 γαλ.)
Μέγεθος αντλίας Max Hozelock Cyprio Aquaforce (λ.α.ω.)	4000	6000	8000
Μέγιστη ροή, QMax, (λ.α.ω.)	3000	4500	7000
Βαθμονόμηση IP	IP57	IP57	IP57

Αριθμός εξαρτήματος	1352	1353	1354
Μέγιστη θερμοκρασία νερού T _{max} , (°C)	35°C	35°C	35°C
Σύστημα καθαρισμού Bioforce Revolution	✓	✓	✓
* Μετρήθηκε υπό ελεγχόμενες συνθήκες			

MONTAJ VE KULLANIM TALİMATLARI.



MONTAJA BAŞLAMADAN ÖNCE BU TALİMATLARI DİKKATLİCE OKUYUN.

ΑΣΑΦΙΔΑΚΙ BILDİRİMLERİN DİKKATE ALINMAMASI YARALANMALARA, ÜRÜN HASARLARINA VEYA BALIK ÖLÜMLERİNE NEDEN OLABİLİR.

BU TALİMATLARI DAHA SONRA BAŞVURMAK ÜZERE SAKLAYIN.

Bu Hozelock Cypro Bioforce Revolution bahçe havuzlarının bakımı kolay su filtrasyonu için geliştirilmiş yeni bir kavramdır.

Şu özelliklere sahiptir:

- Kompakttir ve verimlidir
- Kurulumu kolaydır.
- Temizlenmesi ve bakımı zahmetsizdir.
- Neredeyse her yere monte edilebilir.

Uygun bir havuz pompasıyla birlikte kullanıldığında; su temizliğini iyileştirir, havuzdaki istenmeyen katı partikülleri temizler ve çözünmüş organik ve kimyasal balık artıklarını zararsız bileşiklere dönüştürür.

Dikkat: UV Uyarısı

Bu cihazda bir UV-C yayıcı mevcuttur. Cihazın kullanım amacı dışında kullanılması veya muhafazanın hasar görmesi tehlikeli UV-C radyasyonunun yayılmasına neden olabilir. Çok düşük dozlarla maruz kalınsa dahi, UV-C radyasyonu gözlere ve cilde zarar verir. Lambaya elektrik muhafazası açıldığında lambayı kapalı konuma getiren bir ara kilit takılıdır.

Açık konuma getirildiğinde, UV gösterge lensindeki mavimsi bir parlamadan lambanın çalıştığı anlaşılabilir. Ürünü kuru çalıştırmayın.

Uyarı: Cihaz muhafazasından çıkartıldıktan sonra, UV-C yayıcıyı çalıştırmayı denemeyin.

Önemli

Bu cihaz kesinlikle fiziksel, algısal veya zihinsel yeterliliği kısıtlı kişilerin (çocuklar dahil) veya bilgi ve deneyim eksikliği bulunan kişilerin kullanımı için uygun değildir. Bu kişiler cihazı ancak güvenliklerinden sorumlu kişinin nezareti ve cihazın kullanımına ilişkin talimatları ile çalıştırabilirler. Çocuklar bu cihazla kesinlikle oynamamaları konusunda uyarılmalıdır. Bu cihaz bariz şekilde hasar görmüşse, kesinlikle çalıştırılmamalıdır.

Uyarı: Güvenlik ve Elektrik Bağlantıları

- 1.1** UYARI: BU CİHAZI MONTE ETMEK, ONARMAK, BAKIMINI YAPMAK VEYA YERİNİ DEĞİŞTİRMEK ÜZERE ELLERİNİZİ SUYA SOKMADAN ÖNCE HAVUZDAKİ TÜM CİHAZLARIN ELEKTRİK BESLEMESİYLE BAĞLANTISINI KESİN.
- 1.2** Bu filtre yalnızca bahçe havuzlarında kullanım için tasarlanmıştır. Bu filtreyi başka bir amaçla (örn. yüzme havuzlarında vb.) kullanmayın. Bu ürünün başka uygulamalarda kullanılması yaralanmalara veya ürün hasarlarına neden olabilir.
- 1.3** Bariz şekilde hasar görmüş cihazlar kesinlikle çalıştırılmamalıdır.
- 1.4** Ünite içerisindeki şeffaf tüp kuvars camından imal



Μην απορρίψετε τυχόν ηλεκτρικές συσκευές ως αταξινόμητα αστικά λύματα, χρησιμοποιήστε ξεχωριστές εγκαταστάσεις συλλογής. Επικοινωνήστε με τις τοπικές αρχές για πληροφορίες σχετικά με τα διαθέσιμα συστήματα συλλογής. Αν οι ηλεκτρικές συσκευές απορριφθούν σε χώρους ταφής ή χλωματέρες, είναι πιθανόν επικίνδυνες ουσίες να διαρρεύσουν στα υπόγεια ύδατα και να μπουν στην τροφική αλυσίδα, προκαλώντας με αυτό τον τρόπο βλάβη στην υγεία και ευζωία σας. Στην Ευρωπαϊκή Ένωση, όταν αντικαθιστάτε παλιές με νέες, ο μεταπωλητής είναι νομικά υπεύθυνος να αποσύρει την παλιά συσκευή σας για απόρριψη, τουλάχιστον δωρεάν.

TR

Hozelock ürün kalitesini seçtiğiniz için teşekkür ederiz, bu üründen sağlayacağınız güvenilir hizmetten emin olabilirsiniz.

- Elektrik Muhafazası.
- Kapak tertibatı.
- UV lambalı gösterge lensi.
- Temizleme Kolu Topuzu.
- Temizleme Kolu.
- Dağıtıcı Vana.
- Temizleme Parmakları (Sarı).
- UV Muhafazası.
- Köpük Kovası.
- Cypricube Köpük.
- Biyo-ortam.
- Hazne oring conta.
- Filtre Haznesi.
- Kapak Kelepçesi.
- Biyo-muhafaza.
- Hortum Ucu ve Somun.
- Mandal.

edilmiştir ve montajı ve bakımı sırasında dikkatli olunmalıdır. Uygun koruyucu gözlük ve koruyucu eldivenlerin kullanılması önerilir.

- 1.5 Bioforce Revolution filtreniz su geçirmezdir, ancak su altında çalışacak şekilde tasarlanmamıştır. Üniteyi üst tarafı yukarı bakacak şekilde havuza yerleştirin, ancak cihazın suya düşebileceği veya toprağın suyla dolabileceği yerlerden kaçınin ("Montaj" bölümüne bakın).
- 1.6 **Önemli:** Bu ürünle birlikte 5 m uzunluğunda 3 çekirdekli bir elektrik kablosu verilir. Bu ürünle birlikte gelen fiş, su geçirmez özellikte değildir ve mutlaka ana şebekeye yerel yönetmeliklere uygun olarak su geçirmez bir muhafaza içerisinde bağlanmalıdır.
- 1.7 **UYARI:** Bu cihaz MUTLAKA topraklanmalıdır ve bağlantılarını, aşağıdaki kod kullanılarak yapılması çok önemlidir:
 - KAHVERENGİ - ceryanlı
 - MAVİ - nötr
 - YEŞİL/SARI - topraklama.
- 1.8 Açıkta kalan kablo bölümleri, dikkatli bir şekilde yerleştirilmeli ve özellikle tırmık ve çim biçme makineleri vb. gibi bahçe ekipmanlarıyla temas etmesi veya çocuklar ve evcil hayvanlar tarafından ulaşılması riski mevcutsa muhafazalı kablo taşıma kanallarıyla korunmalıdır.
- 1.9 Ana şebekeye MUTLAKA 30 mA maksimum Artık Akım Cihazı (RCD) takılmalıdır.
- 1.10 Ana şebekeye (sert kabloyla) kalıcı olarak yapılacak bağlantılar mutlaka ulusal ve yerel kablo bağlantı yönetmeliklerine uygun olmalıdır. Ana şebeke bağlantısı hakkında şüpheye düşerseniz, deneyimli bir elektrik teknisyenine veya yerel elektrik kurulumuna danışın.
- 1.11 Filtreyi kaldırmak veya taşımak için kesinlikle ana şebeke kablosunu veya temizleme kolunu kullanmayın, aksi takdirde hasar görebilirler. Filtrenin taşınması gerekirse, ürün kapalı konuma getirilmeli ve öncelikle içerisindeki su boşaltılmalıdır. Ürünü, kapağın ana hazneye takıldığı alandan tutarak kaldırın.
- 1.12 Kesinlikle temizleme kolu üzerine oturmayın veya yaslanmayın. (Şekil 4).
- 1.13 Filtreyi kesinlikle temizleme kolundan tutarak kaldırmayın. Üniteyi daima iki elinizle kapak kenarından sağlam şekilde kavrayarak taşıyın (Şekil 5).
- 1.14 Filtrenizi kuru çalıştırmayın.
- 1.15 Filtre kullanımdayken çıkışları kapatmayın.
- 1.16 Ana şebeke kablosu herhangi bir şekilde hasar görmüşse, bu ürünü kesinlikle çalıştırmayın. Besleme kablosu değiştirilemez. Kablo hasar görmüşse, elektrik muhafazası ilgili yerel yönetmeliklere uygun olarak bertaraf edilmelidir.
- 1.17 Ünite tüm yıl boyunca kullanılmayacaksa, donmaya karşı koruyun. ("Kış Bakımı" bölümüne bakın).
- 1.18 Filtreyi doğrudan güneş ışığına karşı koruyun.
- 1.19 Bu ürün, 35°C'nin üzerindeki veya 0°C'nin altındaki su sıcaklıkları için uygun değildir.
- 1.20 Yalnızca bu ürünle kullanım için tasarlanmış aksesuarları kullanın. Başka aksesuar veya yedek parçaların kullanılması garantinizi geçersiz hale getirir.

- 2.1 Teknik Bilgi Çizelgesi sayfası, filtre ve önerilen pompanın özelliklerine ilişkin genel bilgiler verir. Ancak, en iyi sonuçları elde etmek için, filtrenin kabiliyetini etkileyebilecek diğer bazı faktörlerin de dikkate alınması gerekir.
 - **Havuz derinliği:** Hozelock Cyprio, Koi havuzları için minimum 1,2 m derinlik önerir. Ortalama derinliği 0,75 m'nin altındaki havuzlar için, Koşullandırma Faktörü +% 25'tir. Sığ havuzlar güneş ışınlarına tam olarak maruz kalır ve hızlı bir şekilde ısınır. Bu da alg gelişimini destekler.
 - **Konum:** Havuz konumu, havuzun alacağı günlük güneş ışığı veya gölge miktarını belirler. Gün boyunca tam olarak güneş ışığı alan bir havuzun Koşullandırma Faktörü +% 25'tir.
 - **İklim:** İklim, su sıcaklıklarını ve balık hareket oranı/ yem gereksinimlerini etkiler. Balıklar ne kadar hareketli olursa, filtrasyon sistemi üzerindeki talepler o kadar artar. Sıcak iklimlerde (örn. Güney Afrika) Koşullandırma Faktörü +% 35'tir. Ilıman iklimlerde (örn. Güney Avrupa) Koşullandırma Faktörü +% 15'tir. Kuzey Avrupa ikliminde (örn. Büyük Britanya'nın büyük bir bölümü) ise Koşullandırma Faktörü +% 0'dır.

ÖRNEK: 0,75 m derinliğinde 2.200 litrelik bir süs balığı havuzunuz olduğunu kabul edelim (Koşullandırma Faktörü +% 25). Londra'da, yani bir Kuzey Avrupa ikliminde yaşıyorsanız (Koşullandırma Faktörü +% 0). Havuz tamamıyla güneş ışığı alıyor (+% 25). Bu nedenle; havuzunuzun etkin hacmi % 50 (% 25 + % 25) oranında artar ve cihazınızın boyutunu sanki 3.300 litrelik bir havuzunuz varmış gibi seçmeniz gerekir.
- 2.2 **Debi:** En iyi sonuçları elde edebilmemiz için, havuz hacminin her 1½ - 2½ saatte bir tamamıyla Bioforce Revolution sisteminden geçmesi gerekir. Koi havuzları için en yüksek debi önerilir. Teknik Bilgi Çizelgesi sayfasına belirtilen maksimum debi değerlerini aşmayın. Berrak bir su elde etmek istiyorsanız, doğru debinin kullanılmasa çok önemlidir. Kurulumunuz yüksek kayıpları (örn. uzun hortumlar) içermiyorsa, debinin bir debi kontrolü hortum musluğu yardımıyla 1½ - 2½ saatlik bir döngü süresinde edilecek şekilde ayarlanması gerekebilir.

Küçük çaplı hortumlar, gereksiz uzun hortumlar ve yüksek pompalama mesafeleri ('düşü') pompanın verimini düşüren faktörler olarak dikkate alınmalıdır. Hortumdaki sürtünme kayıpları nedeniyle tam statik düşünün (= havuz yüzeyi ile filtre girişi arasındaki düşey mesafe) 0,6 m üzerinde gerekli debiyi sağlayacak bir pompanın seçilmesi önerilir.

Filtrasyonun amacı, havuzdaki atık maddelerin filtreye aktarılmasıdır; bu nedenle, sistemin bir parçası olarak kullanılan tüm pompaların, Bioforce Revolution kapsamına giren boyut aralığındaki havuzlar için özel olarak tasarlanan Hozelock Cyprio Aquaforce pompa serisinde olduğu gibi katı partikülleri taşıyabilecek özellikte olmaları gerekir. Pompa, havuzda devridaimin en iyi şekilde sağlanabilmesi ve katı partikül taşıma kapasitesinin en üst düzeye çıkartılabilmesi için havuzun en derin bölümüne yerleştirilmelidir. Pompa, havuz tabanından itibaren 300 mm'ye yükseltilmiş düz bir platform üzerine monte edilmelidir. Böylece, pompanın doğrudan havuz tabanındaki pislikleri

çekmesi engellenir ve havuz suyunun kaçak nedeniyle istenmeden boşalması durumunda havuzda yeterli suyun kalacağından emin olunur.

Debi kontrolü: Hacmi bilinen bir kap alın ve bu kabın (saniye cinsinden) ne kadar sürede dolduğunu tespit edin. Ardından, 3.600'ü kabın olduğu saniyeye bölün ve çıkan rakamı kabın hacmi (litre) ile çarpın. Bu netice, saat başına litre (l/sa) cinsinden debiyi verecektir.

- 2.3 Balık Yetiştirme Yoğunluğu:** Normal koşullarda ve yemleme rejiminde, Bioforce Revolution serisi 1.000 litrelik havuz kapasitesi başına 50 cm'ye kadar balık yetiştirme yoğunluğunu destekler. Balıkları ilk birkaç hafta boyunca önerilen maksimum düzeyin % 20'sine kadar yavaşça koyun; altı ayın sonunda bu oranı isterseniz % 50'ye kadar çıkartabilirsiniz. Bu denge, balık gelişimine izin verecektir.
- 2.4 Havuz Temizliği:** Bazı ilaçlar/temizleme yöntemleri UVC radyasyonundan dolayı çok hızlı bir şekilde bozulabilir. Hastalık tedavisi sırasında filtreyi kapalı konuma getirmeyi değerlendirin. Mekanik ve biyolojik filtrasyon çalışmaya devam edecektir.

Su üstü yosunları için havuzunuza bakım yapıyorsanız, bakım yaptığınız su üstü yosunları havuzdan giderilene kadar işlem sırasında pompa ve filtrenizi kapatın.

- 2.5 Kaçaklar, havuzda su kaybına yol açacağından hortum bağlantılarına özellikle dikkat edin.**

Montaj

- 3.1 Önemli:** Bioforce Revolution serisi filtrelerle birlikte, debisi 8.000 l/sa'in üzerinde veya maksimum dönüş miktarı 5 m'nin üzerinde bir pompa kullanmayın.
- 3.2 Önemli:** Bioforce Revolution filtreleri mutlaka üst tarafı yukarı bakacak şekilde yerleştirilmelidir (Şekil 6).
- 3.3** Bioforce Revolution filtreleri pompayla beslene, basınçlı harici tip filtrelerdir ve UVC üniteleri havuzun kenarında toprağın üzerine (Şekil 7) veya toprak içerisine (Şekil 8) monte edileceği gibi, bir yapay şelalenin üzerine de gizlenebilir.
- Filtreyi toprak üzerine monte etmeyi tercih ederseniz, filtreyi düz bir zemin üzerine yerleştirin.

Filtrenizi kısmen gömmeyi tercih ederseniz; kazılan çukur daha sonra ünitenin desteklenmesi için sıkıştırılmış kumla sıkıca doldurulmalıdır. Bu tip bir montaj tercih ederseniz, yıllık bakım amacıyla kolayca çıkartılabilmesi için, kelepçe ile zemin seviyesi arasında minimum 50 mm'lik bir boşluk bırakmanız gerekir.

- 3.4** Küçük çaplı hortumların kullanılması, su akışını aşırı derecede kısıtlayabilir. Kullandığınız hortumun çapı ne kadar genişse, filtrenin performansı özellikle de uzun hortumlar mevcutsa o kadar yüksek olur. Bu üniteyle birlikte verilen hortum uçları 25 mm, 32 mm ve 40 mm'lik Cypriflex hortumlarını bağlanmasını destekler. Bioforce Revolution filtrelerde, su akışının kısıtlanmaması için daima 40 mm çapında hortum kullanılmasını öneriyoruz.

Kullanmak istediğiniz hortum çapını tespit ettikten sonra, su akışının kısıtlanmaması için hortum çapından küçük hortum uçlarını uygun şekilde kesin (Şekil 9).

Filtreyi ve pompa dönüş hortumu çıkışını besleyen pompa, optimum su devridaimi için mümkün olduğunca uzağa yerleştirilmelidir; bu nedenle, Cypriflex hortumu satın alırken, ölçerken ve keserken bu

hususı göz önünde bulundurun.

Besleme pompasıyla filtre girişi (Şekil 10 (i)) arasında uygun uzunlukta bir hortum takın ve hortumu ayrı olarak satılan Hozelock Cyprio hortum klipsleri yardımıyla hortum uçlarını sabitleyin. Ardından, uygun uzunlukta bir hortumu filtre çıkışına (Şekil 10 (ii)) yine aynı şekilde bağlayın. Atık çıkışı (Şekil 10 (iii)) ile ilgili ayrıntılı bilgi için, "Temizlik" bölümüne bakın.

Pompayı havuzdaki uygun bir konuma yerleştirin ve çıkış hortumunun ucunu, filtrelenen su havuza geri dönecek şekilde yerleştirin.

Hortumu yerleştiren hortumun bükülmemesine ve keskin kenarlara dikkat edin. Akışın kısıtlanmaması için hortumu mümkün olduğunca kısa tutun.

- 3.5** Sarğı kolunun, elektrik muhafazasının üzerine yerleştirildiğinden emin olun. Ürünle birlikte verilen sarğı kolu topuzunu ve kapağını alın ve kol üzerine yerleştirdikten sonra yerine bastırarak temizleme kolu üzerine bağlayın (Şekil 11).

Filtreniz artık kullanıma hazırdır.

Çalıştırma

- 4.1 Dağıtıcı Vananın havuz çıkışına çevrildiğinden emin olun (Şekil 12).**
- 4.2** Filtre besleme kablosunu bağlayın (Bk. Bölüm 1 – Güvenlik ve Elektrik Bağlantıları). UVC lambası açık konuma gelin. Lambanın çalıştığı, üst muhafazadaki UV lamba göstergesindeki mavi parlaklıktan anlayabilirsiniz (Şekil 1 (c)).
- 4.3** Pompayı açık konuma getirin.
- 4.4 Çalışma Süresi:** Filtreyi günün 24 saati çalıştırın. İdeal olarak tüm yıl boyunca, en azından yemleme sezonu boyunca (yani, su sıcaklığı 10°C'nin altına düşene kadar) çalıştırılması gerekir. Pompa ve filtrenin kış aylarında çalıştırılması, Bioforce içerisinde temel bir yararlı bakteri seviyesinin tutulmasını sağlar ve havuz buzlanmasının önlenmesine yardımcı olur. Pompayı kışın kapalı konuma getirirseniz, ilk baharda filtrasyona devam etmeden önce filtreyi iyice yıkayın (bkz. "Kışın Depolama", 11.0). Filtre kullanılmıyorken kesinlikle balık beslemeyin.

Olgunluk

- 5.1** Biyolojik olgunluk, filtrenin zararlı balık ve organik madde atıklarını (örn. amonyak, nitrit) görece zararsız nitrate dönüştürmesi için gerekli nitratlaştırıcı bakteri oluştuğuna anlamına gelir. Bu süreç normalde 6-8 haftadır, ancak su sıcaklığı, besleme hızı ve balık yoğunluğu gibi çok sayıda faktöre dayalı olarak değişir. Hozelock Cyprio Filter Start vb. gibi bir olgunlaştırıcı madde ekleyerek olgunlaşma sürecini hızlandırabilirsiniz.

Temizlik

Bioforce Revolution ne zaman temizlenmeli?

Bioforce Revolution filtreleri minimum bakım ihtiyacıyla maksimum performans sunar. Havuz çok kirliyse, filtrenin başlangıçta birkaç günde bir temizlenmesi gerekir, çünkü bu süre içerisinde atık maddeler çok hızlı birikir. Havuz temizlendikten sonra, giderilecek atık miktarı düşer ve bu nedenle filtrenin daha az sıklıkta temizlenmesi gerekir. Basınçlı filtrelerin en verimli çalışma süreci, köpük kısmen

tıkandığında başlar. Ancak, tıkanıklık arttığında, debi düşerek, köpükten daha az miktarda su geçmeye başlar ve temizlenmesi gerekir.

- 6.1 Pompayı ana şebekeden kapalı konuma getirin.
- 6.2 Ürünle verilen hortum ucunu ve bir hortum klipsi yardımıyla atık çıkışına uygun uzunlukta bir hortum (Şekil 10(iii)) bağlayın. Atık hortumunun ucu, bir drenaj veya bir akarsu yatağının üzerine yerleştirilebilir. Atık sular, mükemmel bir gübre niteliğindedir.
- 6.3 Kolu birkaç defa sarın. Hem saat yönünde, hem de saat yönünün tersinde birkaç defa çevrilmesi önerilir (Şekil 13). Kol döndürüldükçe, sarı temizleme bıçakları (Şekil 2 (g)) dönerek, her bir köpük tüpünü birbirinden ayırarak ve sıcaklık, böylece toplanan pislikler serbest kalacaktır.
- 6.4 Dağıtıcı vanayı atık konumuna çevirin (Şekil 14). Ardından, bir "klik" sesi duyarsınız.
- 6.5 Pompayı açık konuma getirin.
- 6.6 Kolu (her iki yönde tam tur çevirerek) sarmaya devam edin. Başlangıçta atık su, havuzun kurulumuna bağlı olarak yoğun yeşil veya kahverengi görünecektir. Kısa bir süre sonra atık suyun renk yoğunluğu azalır ve su temizlenmeye başlar. Bu noktada, kolu çevirmeyi bırakın ve kolu ana muhafazanın üzerinde kapalı konuma geri getirin (Şekil 15).
Son atık suların da boşalması için 5 saniye bekleyin ve ardından dağıtıcı vanayı tekrar havuz tarafına çevirin.

UYARI: Vana, atık konumunda bırakılırsa havuzu boşaltır. Bu nedenle, havuz çıkışına geri getirildiğinden emin olun.

- 6.7 Filtrenizin temizlenmesi için gereken süre birkaç faktöre dayalı olarak değişir, ancak filtrenizi ne kadar düzenli temizlerseniz, gerekli temizleme süresi o kadar kısılır. Tipik olarak temizlik işlemi birkaç dakika sürer.
Temizleme sırasında atılan atık suyun yerine havuzunuza su doldurmanız gerekebilir. Sağlıklı bir havuz su sisteminin sağlanabilmesi için, kısmi su değişiklikleri önemlidir.

Bakım

Uyarı: Cihazı açmadan önce bu bakım talimatlarını dikkatlice okuyun.

Uyarı: pompa ve filtre kullanılırken kapağı veya elektrik muhafazasını çıkarmaya çalışmayın. Kazara açılmaması için kapak kelepçesinde bir asma kilit boşluğu mevcuttur, çocukların kurcalaması söz konusuyla asma kilit takılması önerilir.

7.1 UV lambasının değiştirilmesi:

Uyarı: UV-C yayıcının bağlantısı kesilmeden önce, cihazın mutlaka güç beslemesiyle bağlantısı kesilmelidir.

UV lambasının etkinliği, zamanla büyük ölçüde azalır; bu nedenle, lamba hala çalışıyor olsa dahi lambanın her 12 ayda bir değiştirilmesi gerekir.

- 7.1.1 Besleme pompasına ve filtreye beslenen gücü kesin.
- 7.1.2 Dağıtıcı vanayı atık konumuna çevirin. Böylece, dahili basınç atmosfer basıncıyla dengelenir ve kapağın üst yüzeyine su çekilmeden elektrik muhafazası kolayca çıkartılabilir.
- 7.1.3 Temizleme kolunu, elektrik muhafazasının önünden çekilecek şekilde yarım tur çevirin (Şekil 16 (i)).

- 7.1.4 Bir tornavida yardımıyla elektrik muhafazasını kapağa sabitleyen 5 adet vidayı sökün. (Şekil 16 (ii)). Lamba değiştirilirken vidaların saklanması için, filtrenin girişi ile çıkışı arasında bir cep mevcuttur (Şekil 16 (iii)).
 - 7.1.5 Elektrik muhafazasını kavrayın ve elektrik muhafazasını çıkarmak üzere yavaşça çekin. Muhafazayı üst tarafı aşağı bakacak şekilde çevirin ve kuru ve düz bir yüzey üzerine yerleştirin.
 - 7.1.6 Şekil 17. Kuvars tüp kilitleme kovanını (i) sökün. Kuvars tüpünü (ii) nazikçe tutarak kaldırın ve oringleri (iii) ve kilitleme kovanıyla birlikte çıkartın.
 - 7.1.7 Eski lambayı yuvasından nazikçe çekerek çıkartın ve lambanın ucundaki siyah koruma kapağını (Şekil 17 (iv)) ve yansıtıcı levhayı (Şekil 17 (v)) sökün. Eski lambayı yerel yönetmeliklere uygun olarak bertaraf edin ve yeni lambayı takın.
 - 7.1.8 Yansıtıcı levhayı geri takın ve siyah kapağı lambanın ucuna yerleştirin.
 - 7.1.9 Kuvars tüpünü lamba üzerinden aşağıya doğru kaydırın. Kuvars tüpü tabanındaki iki oringin temiz olduğundan ve yabancı madde içermediğinden emin olun.
 - 7.1.10 Kilitleme kovanını kuvars tüpü üzerinden aşağıya doğru kaydırın ve ardından yerine vidalayın. Kilitleme kovani hareket sınırlayıcı, muhafaza hareket sınırlayıcıya temas edene kadar vidalamaya devam edin; bu konumda kovan daha fazla vidalanamaz.
 - 7.1.11 Elektrik muhafazasını geri takın. Muhafaza yalnızca tek bir yönde takılabilir, bu nedenle zorlamamaya dikkat edin. Yerine yerleştirdikten sonra 5 adet vidayı geri takın. Ara kilit anahtarının devreye girdiğinden emin olunması için, vidaların mutlaka tam olarak vidalanması gerekir.
 - 7.1.12 Dağıtıcı vanayı tekrar havuz tarafına çevirin ve temizleme kolunu kapalı konuma getirin.
 - 7.1.13 Pompayı kaçakları kontrol etmek üzere yeniden çalıştırın ve ardından UV lambasını kapalı konuma getirin. UV gösterge lensinde mavimsi bir parlama olduğuna kontrol edin.
- ### 7.2 UV kuvars tüpünün bakımı:
- Özellikle suyun sert olduğu bölgelerde kuvars tüpü kaplaması ve UVC lambası kireçle kaplanabilir. Kirecin tortu oluşturmaması için verilir, ünite verimliliği azalır. Bu kireci temizlemek için, pompayı kapalı konuma getirin ve UV lambasına beslenen gücü kesin, elektrik muhafazasını Bölüm 7.1'de açıklandığı şekilde çıkartın ve kuvars tüpünü sirke vb. gibi yumuşak bir temizlik maddesiyle nemlendirilmiş yumuşak bir bezle nazikçe silin (Bkz. Şekil 18). Kuvars tüpünü temizlerken koruyucu gözlük ve eldiven gibi koruyucu ekipman ve kıyafetler kullanmalısınız.
- ### 7.3 Cypricube köpüğün değiştirilmesi:
- Köpüğü yılda bir defa kontrol edin. Köpük değiştirme sıklığı havuzun kurulumuna bağlı olarak değişir. Köpüğün kış aylarında ve ilkbahar başlangıcında havaza tekrar balık beslenmeden önce değiştirilmesi önerilir*. Köpüğün yılın diğer zamanlarında değiştirilmesi, havuz kimyasını değişmesine neden olabilir ve bu da balıklara zarar verebilir.**
- *Havuz suyu sonbaharda soğuduğundan, balıklar yarı uyku dönemine hazırlık için yavaşlamaya başlarlar. Sindirim ve bağışıklık sistemleri yavaşlar ve daha sıcak

aylarda sindirdikleri besinlerle aynı tipteki besinleri sindiremezler. Balıklar açtıktığında, normalde havuz ortamında bulunan daha basit besinlerle beslenirler. Bu nedenle, havuz suyunun sıcaklığı uzunca bir süre 10°C'nin altına düştüğünde, balık yemlemeyi durdurmanız gerekir. İlkbahar başında hava tekrar ısınmaya başladığında, balıklar tekrar aktif olmaya başlayacağından, balıklarınızı tekrar kademeli olarak yemlemeye başlayabilirsiniz.

- 7.3.1 Besleme pompasına ve filtreye beslenen gücü kesin.
- 7.3.2 Dağıtıcı vanayı atık konumuna çevirin. Böylece, dahili basınç atmosfer basıncıyla dengelenir ve kapak kolayca çıkartılabilir.
- 7.3.3 Kapak kelepçesini açın (Şekil 2(n)). Kapağı karşı yuvalardaki 2 mandalı kullanarak nazikçe kaldırın ve çıkartın (Şekil 19). Takılı hortumları sökerseniz, kapağı daha kolay çıkartabilirsiniz.
- 7.3.4 Köpük kovasını kaldırarak çıkartın (Şekil 2(ii)) ve eski köpüğü atın. Biyo-ortamı bir ağıda toplayan filtre haznesinin iç kısmındaki suyu boşaltın. Biyo-ortam için herhangi bir bakım uygulanmasına gerek yoktur.
- 7.3.5 Haznenin tabanı bir çamur katmanıyla kaplanmışsa, haznenin tabanını bir miktar havuz suyuyla durulayın.
- 7.3.6 Hazne tabanındaki biyo-muhafazanın etrafına geleceğinden emin olarak (Şekil 2(o)) biyo-ortamı değiştirin. Biyo-muhafaza içerisinde hiç biyo-ortam bulunmamalıdır (Şekil 20).
- 7.3.7 Köpük kovasını hazneye yerleştirin. Köpük kovasını, üst bölümündeki küçük üçgenler filtre haznesinin iç kısmındaki düşey çizgilerden biriyle aynı hizaya gelene kadar çevirin (Şekil 21). **Köpük kovası ardından yerine oturacaktır. Kapağın kolayca takılabilmesi için, köpük kovasının doğru şekilde yerleştirildiğinden emin olun.**
- 7.3.8 Köpük kovasını önerilen miktarda yedek Cypricube köpükle doldurun. Yeni olduklarından, yeni kuru köpük küplerinin biraz daha fazla yer kaplaması normaldir. Biyo-muhafaza alanındaki merkez deliğine köpük düşmediğinden emin olun.
- Daha fazla sayıda köpük yerleştirmek için kesinlikle köpükleri sıkmayın. Kuru köpükler gevşek şekilde yerleştirilmelidir ve filtre haznesinden (Şekil 22) daha yüksek olmamalıdır. Çok fazla köpük eklenmesi, filtrenin temizlenmesini zorlaştıracaktır.**
- 7.3.9 Filtre muhafazasının üst bölümündeki contanın (Şekil 2(i)) yerine oturduğundan ve pislik ve yabancı madde içermediğinden emin olun. Daha rahat takılması için gerekiyorsa, contaya az miktarda silikon gres uygulayın. Kapağı geri takın. UV lambasını kaplayan merkezi siyah tüpü orta delikten aşağı doğru kaydırın.
- 7.3.10 Kapak kelepçesini geri takın. Bant kelepçesinin altında su birikmediğinden emin olun ve menteşeli mandalı yağ tabanlı bir yağlayıcı kullanılarak yağlayın.
- 7.3.11 Dağıtıcı vanayı tekrar havuz tarafına çevirin ve temizleme kolunu kapalı konuma getirin.
- 7.3.12 Pompayı tekrar çalıştırın ve kaçak kontrolü gerçekleştirin. Ardından, UV lambasını açık konuma getirin. UV gösterge lensinde mavimsi bir parlama olduğunu kontrol edin.

Kışın Depolama

- 8.1 Kışın soğuk havalarda (balıklar hareketsizleştiğinde ve alg oluşumu durduğunda) ünite kapalı konuma getirilebilir. Ünite ardından çıkartılmalı ve iyice yıkandıktan, temizlendikten ve kurulandıktan sonra donmaya karşı korumalı, kuru bir alana kaldırılmalıdır. Yeterli şekilde havalanması ve kuruması için üniteyi daima kapağı kapalı şekilde saklayın.

Sorun Giderme / SSS

Sorun	Olası Nedeni	Çözümü
Fitreden havuza su akışı olmuyor.	Besleme pompası kapalı konumdadır veya çalışmıyordur.	Pompanın çalıştığını ve açık konumda olduğunu kontrol edin.
	Besleme hortumu tıkalıdır.	Besleme hortumunu ve havuz dönüş hortumunu tıkanıklıklara karşı kontrol edin.
	Dağıtıcı vana "Kapalı" konuma ayarlanmıştır	Dağıtıcı vanayı "Havuz" tarafına çevirin.
Filtredeki akış düştü	Köpükler tıkanmıştır.	Filtreyi temizleyin (Bkz. "Temizleme").
	Besleme hortumu tıkalıdır.	Besleme hortumunu ve havuz dönüş hortumunu tıkanıklıklara karşı kontrol edin.

Sorun	Olası Nedeni	Çözümü
Su temizlenmiyor	Yeni Filtre henüz olgunluk seviyesine gelmemiştir.	Havuz suyunun berraklığı 2-3 hafta içerisinde iyileşmeye başlayacaktır, ancak filtre tam olarak etkin çalışmaya başlamadan önce tam biyolojik olgunluğa ulaşması 6-8 hafta sürecektir.
	Havuzunuz için yanlış filtre boyutu seçilmiştir.	Havuz kurulumunuz için uygun filtreyi kullandığınızdan emin olun.
	Yanlış boyutta besleme pompası seçilmiştir.	Debiyi kontrol edin. Bkz. 2.2.
	UV lambası patlamıştır.	UV gösterge lensini kontrol edin. UV lambasını değiştirin.
	UV lambası eskimiştir.	UV lambasını her 12 ayda bir değiştirin.
	Köpüğün temizlenmesi gerekiyordu.	Filtreyi temizleyin (Bkz. "Temizleme").
	Havuz dönüş hortumunun çıkışı, besleme pompasının üzerine yerleştirilmiştir.	Pompanın veya havuz dönüş hortumu çıkışının konumunu birbirinden mümkün olduğunca uzak olacak şekilde değiştirin.
	Havuzda aşırı miktarda balık vardır.	Havuzdaki balık miktarını azaltın.
Aşırı yemleme yapıyordur.	Balıklarınıza yalnızca birkaç dakika içerisinde tüketebilecekleri kadar yem verin. Günde yalnızca bir defa yemleyin.	
Temizleme kolu dönmüyor.	Temizleme işlemi başlangıcında pompa çalışıyordu.	Pompayı kapalı konuma getirin. Kolu her iki yönde birkaç defa çevirin. Pompayı açık konuma getirin (Bkz. "Temizleme").

İadeler yalnızca Hozelock Cyprio tarafından verilebilir ve yalnızca filtrenin satın alma fiyatının karşılığı olarak ürünün satın alındığı yerde iade yapılır. Lütfen, Clearwater Garantisinin yeşil su alglerinin aksine blanket alglerinin neden olduğu su berraklığı kusurlarını kapsamadığına dikkat edin.

2 Yıllık Hozelock Cyprio Garantisi

Bu Bioforce Revolution (Lamba hariç) satın alındığı tarihten itibaren 2 yıl içerisinde kullanılmamaya hale gelirse, hasarsız şekilde iade edilmesi edilmesi şartıyla tercihimize bağlı olarak ücretsiz bir şekilde onarılacak veya yenisiyle değiştirilecektir. Kazalar, yanlış montaj veya kullanım neticesi meydana gelen hasarlar bu kapsama dahil değildir. Sorumluluğumuz yalnızca arızalı ünitenin değiştirilmesiyle sınırlıdır. Bu garanti başkasına devredilemez. Bu durum kanunlardan doğan haklarınızı etkilemez. Bu garantinin avantajlarından yararlanmak için, öncelikle Hozelock Cyprio Müşteri Hizmetlerini (0121 313 1122) arayın ve ardından verilen talimatlar uyarınca satın alma belgenizle birlikte üniteyi doğrudan aşağıdaki adrese göndermeniz istenecektir.

İletişim / Yedek Parçalar

www.hozelock.com

Teknik Bilgiler

Parça numarası	1352	1353	1354
Aralık	Bioforce Revolution		
Volt (V)	230V 50Hz		
UVC Gücü (W)	18	24	36
Balıklarla Birlikte Maksimum Havuz Boyutu	6.000 litre	9.000 litre	14.000 litre
Balıksız Maksimum Havuz Boyutu	12.000 litre	18.000 litre	28.000 litre
Maks. Hozelock Cyprio Aquaforce Pompa Boyutu (l/sa)	4000	6000	8000
Maks. Debi, QMaks, (l/sa)	3000	4500	7000
IP Değeri	IP57	IP57	IP57
Maks. Su Sıcaklığı (Tmaks,, (°C)	35°C	35°C	35°C
Bioforce Revolution Temizleme Sistemi	✓	✓	✓

* Kontrollü koşullarda ölçülmüştür

Hozelock Cyprio Clearwater Garantisi

Uygun bir pompayla kullanılan Hozelock Cyprio Bioforce Revolution için SİZE TEMİZ BİR SU VEYA PARANIZIN İADESİNİ GARANTİ EDİYORUZ. Bu garanti, ürünün satın alındığı tarihten itibaren 12 ay geçerlidir ve şu şartlara tabidir:

- Montaj ve çalıştırma talimatları doğru şekilde takip edilmelidir.
- Hozelock Cyprio boyut bilgilerine uygun olarak, doğru boyutta bir cihaz kullanılmalıdır.
- Sorunlarınızın düzeltilmesi için yeterince önceden Yardım Hattımızı (0121 313 1122) aramış olmanız gerekir.
- Ürün hasarsız bir şekilde iade edilmelidir.



Elektrikli cihazokat nem szabad csatlakoztatni a rendszerhez. A rendszerbe nem szabad csatlakoztatni az elektromos hálózathoz. A rendszerbe nem szabad csatlakoztatni az elektromos hálózathoz. A rendszerbe nem szabad csatlakoztatni az elektromos hálózathoz.

- Majdnem mindenhol elhelyezhető

A megfelelő távi szivattyúval használva javítja a víz tisztaságát, eltávolítja a nemkívánatos szilárd anyagot a tóból, majd a feloldódott szerves és vegyi hulladékok ártalmatlan összetevőkké alakítja át.

Figyelem: UV-figyelmeztetés

A készülék UV-C kibocsátóval van felszerelve. A készülék nem rendeltetésszerű használata vagy a ház sérülése által kijuthat a veszélyes UV-C sugárzás. Az UV-C sugárzás már kis adagban is szem- és bőrártalomhoz vezethet. A lámpa olyan retesszel van felszerelve, amely lekapcsolja a lámpát, amikor felnyitja az elektromos házat.

Ha a lámpa fel van kapcsolva, működése ellenőrizhető úgy, hogy megkeresi az UV jelzőlencséből kiáramlól, kékes fényt. Ne használja szárazon a terméket.

Figyelmeztetés: Ne működtesse az UV-C kibocsátót, ha el van távolítva a készülék házárol.

Fontos

A készüléket nem használhatják olyan személyek (beleértve a gyerekeket), akik csökkent fizikai, érzékelési vagy szellemi képességekkel rendelkeznek, illetve nincs tapasztalatuk vagy tudásuk, kivéve, ha felügyelet alatt állnak, vagy utasítást kaptak a készülék használatához olyan személytől, aki biztonságukért felel. A gyermekeknek felügyeletet kell biztosítani, ne hogy játsszanak a készülékkel. Ha ez a készülék láthatóan megsérült, ne használja.

Figyelem: Biztonság és elektromos csatlakozások

- 1.1 FIGYELMEZTETÉS: MINDIG HÚZZA KI A TÓBAN LÉVŐ ÖSSZES KÉSZÜLÉKET AZ ÁRAMFORRÁSBÓL, MIELŐTT A VÍZBE NYÚLNA A KÉSZÜLÉK TELEPÍTÉSE, JAVÍTÁSA, KARBANTARTÁSA VAGY KEZELÉSE KÖZBEN.**
- 1.2** A szűrőt kizárólag kerti tavakhoz való használatra tervezték. Ne használja a szűrőt más célra (azaz ne használja ezt a szűrőt úszómedencékben stb.). A termék ettől eltérő használata sérülést okozhat, vagy a termék tönkremehet.
- 1.3** Ne használja a láthatóan meghibásodott termékeket.
- 1.4** Az egységben lévő átlátszó cső kvarcvegből készült, amely óvatos bánásmódot igényel a szerelés és a karbantartás közben. Javasoljuk, hogy viseljen szemvédő felszerelést és megfelelő kesztyűt.
- 1.5** Az Ön Bioforce Revolution szűrője vízálló, de nem süllyeszthető víz alá. Helyezze az egységet függőleges helyzetben a tó közelébe, de ne olyan helyre, ahol a vízbe eshet, illetve a talaj átnedvesedhet (lásd a Szerelés c. részt).
- 1.6 Fontos:** A terméket 5 méteres, 3 eres elektromos kábellel szállítjuk. A termékhez tartozékként biztosított csatlakozódugó nem vízálló, és száraz, vízálló burkolatban kell a hálózatra csatlakoztatni a helyi előírások szerint.

HU

Köszönjük, hogy a Hozelock minőségi termékét választotta, amelyhez megbízható szolgáltatást nyújtunk.

- a** Elektromos ház
- b** Fedélszerelvény
- c** UV-lámpa jelzőlencse
- d** Tisztítókar gomb
- e** Tisztítókar
- f** Átkapcsoló szelep
- g** Tisztító reteszek (sárga)
- h** UV-burkolat
- i** Habtartály
- j** Cypricube hab
- k** Bio közeg
- l** Edény o-gyűrű tömítés
- m** Szűrőedény
- n** Fedélrögzítő
- o** Bio-cső
- p** Tömlőkivezető és anya
- q** Kar

SZERELÉS ÉS HASZNÁLATI UTASÍTÁSOK



A SZERELÉS MEGKEZDÉSE ELŐTT OLVASSA EL ALAPOSAN A JELEN HASZNÁLATI UTASÍTÁSOKAT.

AZ ALÁBBI MEGJEGYZÉSEK FIGYELEMBE VÉTELÉNEK ELMULASZTÁSA SÉRÜLÉST OKOZHAT, A TERMÉK TÖNKREMEHET, ILLETVE A HALAK ELPUSZTULHATNAK.

ŐRIZZE MEG A JELEN UTASÍTÁSOKAT A KÉSŐBBIEKRE.

Ez a Hozelock Cyprio Bioforce Revolution új koncepció, amelyet a kerti tavak vízszűrésének könnyű karbantartására terveztek.

Jellemzői:

- Kompakt és hatékony
- Könnyen szerelhető
- Gördülékeny tisztítás és karbantartás

- 1.7 FIGYELMEZTETÉS:** A készüléket földelni KELL, valamint fontos, hogy a csatlakozások a következő kóddal legyenek elvégezve:
- BARNA - áram
 - KÉK - semleges
 - ZÖLD/SÁRGA - föld.
- 1.8** A kitett kábelvezetékeket megfelelően kell elhelyezni, burkolt kábelvédővel kell védeni, különösen akkor, ha fennáll a veszélye, hogy kerti eszközzel - pl. villával vagy fűnyíróval -, illetve gyermekekkel és háziállatokkal érintkeznek.
- 1.9** Maximum 30 mA-es áramvédő-kapcsolót (RCD) KELL felszerelni a hálózati áramforrásra.
- 1.10** A hálózati áramforrásra csatlakozó állandó elemeknek (merev huzalozás) meg kell felelniük a huzalozásra vonatkozó nemzeti és helyi előírásoknak. Ha kétségei merülnek fel a hálózati áramforrásra csatlakoztatott huzalokkal kapcsolatban, forduljon szakképzett villanyszerelőhöz vagy a helyi villamosságai művekhez.
- 1.11** Soha ne a kábelnél vagy a tisztítóknárnál fogva emelje meg vagy mozgassa a szűrőt, mivel azzal kárt okozhat. Ha mozgatni kell a szűrőt, először kapcsolja ki a készüléket és szárítsa meg. Majd emelje meg a terméket úgy, hogy fogja meg azt a fogásra alkalmas területen ott, ahol a fedél rögzítve van a fő edényhez.
- 1.12** Soha ne üljön vagy támaszkodjon a tisztítókarra! (4. ábra).
- 1.13** Soha ne emelje fel a szűrőt a tisztítóknárnál fogva. Az egységet mindig két kézzel fogva, a fedél peremét erősen fogva vigye (5. ábra).
- 1.14** Szárazon ne működtesse a szűrőt.
- 1.15** A szűrő használata közben ne takarja el a kimeneteket.
- 1.16** Ne használja a terméket, ha a tápkábel bármilyen módon sérült. A tápkábel nem cserélhető. Ha a kábel sérült, az elektromos házat a helyi előírásoknak megfelelően kell ártalmatlanítani.
- 1.17** Ha az egységet nem használja egész évben, védje a végétől. (Lásd a Téli ápolás c. részt).
- 1.18** Védje a szűrőt a közvetlen napfénytől.
- 1.19** A termék nem alkalmas 35 °C feletti és 0 °C alatti hőmérsékletű vizekhez.
- 1.20** Csak olyan tartozékokat használjon, amelyet a jelen termékkel együtt való használatra terveztek. Más tartozékok vagy pótalkatrészek használata érvénytelené teszi a jóállást.

Általános útmutató

- 2.1** A szemközti oldalon található, műszaki adatokat tartalmazó táblázat általános útmutatást nyújt a szűrő és az ajánlott szivattyú műszaki adatairól. A legjobb eredmények érdekében azonban sok más környezeti tényezőt figyelembe kell venni, mivel azok csökkentik a szűrő kapacitását.
- **A tó mélysége:** A Hozelock Cyprio a Koi tavak esetén legalább 1,2 m-es tómélységet javasol. Egy átlagosan kevesebb, mint 0,75 m mélységű tó esetén a környezeti tényező + 25%. A sekély tavakba teljes mértékben bejut a napfény, és hamar felmelegszene. Ez fokozza az algásodást.
 - **Hely:** A tó helye meghatározza a tavat érő napi

napsütés vagy árnyék mennyiségét. Ha a tavat egész nap teljes intenzitású napsütés éri, a környezeti tényező +25%.

- **Éghajlat:** Az éghajlat befolyásolja a víz hőmérsékletét és a halak aktivitási rátáját/etelési igényeit. Minél aktívabbak a halak, annál nagyobb igényeknek kell megfelelnie a szűrőrendszernek. Meleg éghajlaton (pl. Dél-Afrikában) a környezeti tényező +35%. Mérsékelt éghajlaton (pl. Dél-Európában) a környezeti tényező +15%. Észak-Európában (azaz Nagy-Britannia legtöbb területén) a környezeti tényező +0%.

PÉLDA: Önnek 2200 literes aranyhalas tava van, amely 0,75 m mély (környezeti tényező +25%). Ön Londonban él - azaz az észak-európai éghajlaton (környezeti tényező +0%). A tó teljes napsütésnek van kitéve (+25%). A tó hatékony tárfogata ezért 50%-kal nőtt (25% + 25%), és Önnek a 3300 literes tóhoz kell méreteznie az eszközöket.

- 2.2 Áramlási sebesség:** A legjobb eredmények elérése érdekében a tó térfogatának minden 1½-2½ órában át kell áramlania a Bioforce Revolution eszközön, amely a Koi tavaknál az eddigi leggyorsabb áramlási sebesség. Ne lépje túl a maximális áramlási sebességet, amely a szemközti oldalon lévő műszaki adatok táblázatában szerepel. A helyes áramlási sebesség alapvetően fontos a víztisztaság megőrzéséhez. Ha a telepítés nem szenved nagy hiányt (azaz hosszú tömlők), előfordulhat, hogy egy áramlásszabályozó tömlőcsappal be kell állítani az áramlási sebességet az 1½-2½ óras átáramlási sebességre.

A kis átmérőjű tömlő, a szükségletlenül hosszú tömlő és a nagy szivattyúemelés ('hossz') jelentősen csökkentheti a szivattyú teljesítményét. Javasoljuk, hogy olyan szivattyút válasszon, amely biztosítja a szükséges áramlást a teljes statikus emeléssel szemben (= a tófelület és a szűrőbemenet közötti függőleges távolság), amelyhez adjunk hozzá 0,6 métert a tömlőben való súrlódási veszteség figyelembe vételéhez.

A szűrés célja a hulladék töből a szűrőhöz való továbbítása, tehát a csomag részeként használt bármilyen szivattyúnak képesnek kell lennie szilárd anyagok kezelésére - ilyenek például a Hozelock Cyprio Aquaflow szivattyúi, amelyeket kifejezetten a Bioforce Revolution által lefedett mérettartományban lévő tavakhoz készítettek. A szivattyút a tó legmélyebb részére kell helyezni, hogy a legjobb vízkeringetést biztosítsuk a tóban, valamint maximálisan növeljük a szilárd anyagok kezelésére való kapacitását. A szivattyút sima felületen, a tófenéknél 300 mm-rel magasabban kell elhelyezni. Ez megelőzi azt, hogy a szivattyú közvetlenül a tófenékről szivattyúzza fel a szennyeződést, továbbá biztosítja, hogy elegendő víz maradjon a tóban a tó vizének véletlen szivárgása esetén.

Az áramlási sebesség ellenőrzése: Vegyen egy ismert térfogatú tartályt, és mérje le, mennyi ideig tart a megtöltés (másodpercben). Ezután ossza el a 3600-at a tartály feltöltéséhez szükséges másodpercek számával, majd szorozza meg a tartály térfogatával (liter). Az eredmény az óránkénti áramlási sebesség literben vagy gallonban (liter/óra).

- 2.3 A halállomány sűrűsége:** Normál körülmények esetében a rendszer között a Bioforce Revolution termékválasztként akár 50 cm/1000 liter tavi kapacitást

biztosít. Az első hetek során lassan szoktassa a halakat az ajánlott szint maximum 20%-áig, és hat hónap elteltével növelje ezt 50%-ra. Az egyensúly lehetővé teszi a halak növekedését.

- 2.4 A tő kezelése:** Egyes gyógyszerek/eljárások az UVC-sugárzás által nagyon gyorsan lebomlanak. Kapcsolja ki a szűrőt a betegség kezelésének idejére. A mechanikai és a biológiai szűrés továbbra is működik. Ha hínár ellen kezeli a tavat, kapcsolja ki a szivattyút és a szűrőt a kezelés idejére, amíg a kezelt hínárt el nem távolítja a tóból.
- 2.5 Különös figyelmet kell fordítani a tömlőcsatlakozásokra, mivel a szivárgások miatt a tő elapad.**

Szerelés

- 3.1 Fontos:** Ne használjon olyan szivattyút, amelynek áramlási sebessége meghaladja a 8000 liter/óra értéket, illetve a maximális hossz meghaladja az 5 métert a Bioforce Revolution termékválaszték szűrőivel.
- 3.2 Fontos:** A Bioforce Revolution szűrők csak egyenes, függőleges helyzetben telepíthetők (6. ábra).
- 3.3** A Bioforce Revolution szűrők szivattyú által táplált, nyomás alá helyezett külső szűrők és UVC-egységek, amelyeket a talaj fölé (7. ábra) vagy a talajba (8. ábra), a tőhöz közel vagy a vízesés tetejére telepítenek. Ha a szűrőt a talaj fölé telepíti, helyezze a szűrőt vízszintes talajra. Ha részlegesen be szeretné ásní a szűrőt a talajba, a kiásás helyét az egység megtámasztásához szilárdan vissza kell tölteni tömörített homokkal. Ha ezt a telepítési típust választja, hagyjon legalább 50 mm hézagot a rögzítő és a talajszint között, ezáltal az éves karbantartáshoz könnyen eltávolítható.
- 3.4** Kis lyukú tömlők használata nagy mértékben korlátozza a vízáramlást. Minél nagyobb a tömlő átmérője, annál jobb a szűrő teljesítménye, különösen hosszú tömlők esetén. Az egységhez tartozó tömlőkivezetőkre 25 mm-es, 32 mm-es és 40 mm-es Cypriflex tömlők illeszthetők. Mindig javasoljuk, hogy a Bioforce Revolution szűrők esetén a 40 mm átmérőjű tömlőt használjon, ezáltal nem korlátozza a víz áramlását.

A használni kívánt tömlő átmérőjének kiválasztását követően a korlátozás elkerüléséhez vágja le a tömlőkivezetőkről a lépcsőket, amelyek kisebbek, mint a tömlő átmérője (9. ábra).

A szűrőt ellátó szivattyú és a tóból visszatérő tömlő kimenete az optimális vízkeringetés érdekében legyen minél távolabb; vegye figyelembe ezt a Cypriflex tömlő megvásárlásánál, mérésénél és darabolásánál.

Csatlakoztasson megfelelő hosszúságú tömlőt az ellátó szivattyú és a szűrő bemenete közé (10. (i) ábra), és rögzítse a tömlőt a tömlőkivezetőhöz a Hozelock Cyprio tömlőrögzítővel, amelyeket külön kell beszerezni. Ezután hasonló módon csatlakoztasson megfelelő hosszúságú tömlőt a szűrő kivezetéséhez (10. (ii) ábra). A hulladékkimenet (10. (iii) ábra) részletei a Tisztítás c. részben találhatók.

Helyezze a szivattyút a tőba egy megfelelő helyre, majd helyezze el a kimenő tömlő végét úgy, hogy a szűrt víz visszajusson a tőba.

A tömlők elhelyezésénél kerülje a hurkokat és az éles kanyarokat. Az áramlás korlátozásának minimálisra csökkentéséhez vezesse a tömlőt minél kisebb tövön.

- 3.5** Helyezzen egy tekerőkart az elektromos ház fölé. Fogja meg a tartozékként biztosított tekerőkar gombját és fedelét, majd csatlakoztassa azt a tisztítókarhoz úgy, hogy helyezze azt a karra, majd pattintsa a helyére (11. ábra). A szűrő most már használatra kész.

Használat

- 4.1 Fordítsa az átkapcsoló szelepet a tő kivezetőjére (12. ábra).**
- 4.2** Csatlakoztassa a szűrő tápvezetékét (lásd az 1. részt – Biztonság és elektromos csatlakozások). Ez bekapcsolja az UVC-lámpát. Ellenőrizze a lámpa működését úgy, hogy keresse meg a kék fényt az UV-lámpa jelzőlencséjén, a ház tetején (1 (c) ábra).
- 4.3** Kapcsolja be a szivattyút.
- 4.4 A használat időtartama:** Működtesse a szűrőt a nap 24 órájában. Ideális esetben egész évben működhet, de legalább az etetési időszakban használja (azaz amikor a víz hőmérséklete 10 °C alá nem süllyed). Ha télen használja a szivattyút és a szűrőt, azzal alapszinten megőrizi a hasznos baktériumokat a Bioforce-ban, valamint megakadályozza a tő befagyását. Ha télre kikapcsolja a szivattyút, mossa le a szűrőt alaposan, mielőtt tavasszal visszaállítja a szűrést (lásd a 11.0 Téli tárolás c. fejezetet). Soha ne etesse a halakat, amikor nem használja a szűrőt.

Érés

- 5.1** A biológiai érés azt jelenti, hogy a szűrő elegendő nitrifikáló baktériumot képzett a káros hal- és egyéb szerves hulladék (pl. ammónia, nitrit) viszonylag ártalmatlan nitráttá való átalakításához. A folyamat rendszerint 6-8 hetet vesz igénybe, de ez több tényezőtől függ, például a víz hőmérsékletétől, az etetési sebességtől és az állomány sűrűségétől. Gyorsítsa fel az érést éresztő anyag, pl. Hozelock Cyprio Filter Start termék hozzáadásával.

Tisztítás

A Bioforce Revolution tisztításának ideje

A Bioforce Revolution szűrők minimális karbantartással maximális teljesítményt nyújtanak. Ha a tő nagyon szennyezett, előfordulhat, hogy a szűrőt először néhány naponta meg kell tisztítani, mivel az nagyon gyorsan felszedi a hulladékokat. Ha a tő tisztább lesz, kevesebb lesz az eltávolítandó hulladék, ezért a szűrőt ritkábban kell cserélni. A nyomás alatt lévő szűrők akkor a leghatékonyabbak, ha a hab részlegesen eláradik. Az elzáródás fokozódásával azonban csökken az áramlási sebesség, mivel kevesebb víz áramlik át a habon, és tisztításra van szükség.

- 6.1** Kapcsolja le a szivattyút a hálózatról.
- 6.2** Csatlakoztasson megfelelő hosszúságú tömlőt a hulladékkimenetre (10. (iii) ábra) a tartozék tömlőkivezető és a tömlőrögzítő használatával. A hulladéktömlő vége elhelyezhető egy lefolyó vagy egy virágágy fölé. A szennyvíz kiváló trágya.
- 6.3** Forgassa a kart egymás után többször. Javasoljuk,

hogy mind az óramutató járásával megegyező, mind pedig azzal ellentétes irányba forgassa (13. ábra). A kar forgásával a sárga tisztítólapátok (2. (g) ábra) is forognak, ezáltal szétválasztják és összenyomják a habkockákat, ezáltal eltávolítják az összegyűjtött hulladékokat.

6.4 Forgassa az átkapcsoló szelepet a hulladékállásba (14. ábra). Egy kattánás hallható.

6.5 Kapcsolja be a szivattyút.

6.6 Tekerje tovább a kart (forgassa mindkét irányba). A szennyvíz kezdetben erősen zöld vagy barna színű, ami a tő kialakításától függ.

Rövid idő elteltével a szennyvíz színe elhalványul, és a szennyvíz tisztulni kezd. Ekkor ne forgassa tovább, hanem állítsa vissza a kart rendező állásba, a fő ház fölé (15. ábra).

Várjon 5 másodpercet, amíg az utolsó csepp hulladékot is átmossa, majd fordítsa vissza az átkapcsoló szelepet a tőra.

FIGYELMEZTETÉS: Ha hulladékállásban hagyja a szelepet, kiüríti a tavat. Győződjön meg arról, hogy visszakapcsolta tő kimenetre.

6.7 A szűrő tisztításához szükséges idő több tényezőtől függ, azonban minél gyakrabban tisztítja a szűrőt, annál rövidebb időre van szükség a tisztításhoz. A tisztítás általában néhány percet vesz igénybe.

A tavat időről időre fel kell töltenie, hogy pótolja a tisztítás során eltávolított szennyvizet. A részleges vízcsera fontos szempont a tő egészséges vízrendszerének fenntartása szempontjából.

Karbantartás

Figyelmeztetés: A készülék felnyitása előtt olvassa el a karbantartási útmutatásokat.

Figyelem: Ne távolítsa el a fedelet vagy az elektromos házat a szivattyú és a szűrő használati közben. Egy lakathoz való nyílás található a fedélrögzítésen, amellyel megakadályozható a véletlenszerű nyitás. Javasoljuk ennek használatát ott, ahol gyermekek lehetnek jelen.

7.1 Az UV-lámpa cseréje:

Figyelmeztetés: Az UV-C kibocsátó leválasztása előtt húzza ki a készüléket az áramforrásból.

Az UV-lámpa hatékonysága idővel jelentősen csökken, ezért 12 havonta cserélje ki a lámpát akkor is, ha még működik.

7.1.1 Kapcsolja le a tápszivattyút és a szűrő áramellátását.

7.1.2 Forgassa az átkapcsoló szelepet hulladék állásba. Ezáltal a belső nyomás légköri nyomásra egyenlítődik ki, ezáltal az elektromos ház könnyen eltávolítható anélkül, hogy víz kerülne a fedél felületére.

7.1.3 Fordítsa el a tisztítókart fél fordulattal, hogy az ne álljon az elektromos ház útjában (16. (i) ábra).

7.1.4 Távolítsa el az elektromos házat a fedélre rögzítő 5 csavart csavarhúzó segítségével. (16. (ii) ábra). A szűrő bemenete és kimenete között egy zseb áll rendelkezésre a csavarok tárolásához a lámpacsere közben (16. (iii) ábra).

7.1.5 Fogja meg az elektromos házat, és óvatosan húzza fel annak eltávolításához. Fordítsa fejjel lefelé a házat, majd helyezze száraz és egyenletes felületre.

7.1.6 17. ábra Csavarozza ki a kvarc csőzáró karimát (i). Óvatosan tartsa a kvarc csövet (ii), emelje fel, majd távolítsa el annak o-gyűrűivel (iii) és zárókarimájával együtt.

7.1.7 Távolítsa el a régi lámpát, ehhez óvatosan húzza ki tartójából, majd távolítsa el a fekete védősapkát a lámpa végéről (17. (iv) ábra), majd távolítsa el a reflektorlemez (17. (v) ábra). Ártalmatlanítsa a régi lámpát a helyi előírások szerint, majd helyezze be az új lámpát.

7.1.8 Helyezze vissza a reflektorlemez, majd nyomja a fekete sapkát a lámpa végére.

7.1.9 Csúsztassa le a kvarc csövet a lámpa fölé. Gondoskodjon arról, hogy a kvarc cső alapjánál lévő két o-gyűrű tiszta és szennyeződésmentes legyen.

7.1.10 Csúsztassa le a zárókarimát a kvarc csőre, majd csavarozza le. Addig csavarozza, amíg a zárókarima ütközője eléri a ház ütközőjét, és a karima már nem csavarható lejjebb.

7.1.11 Helyezze vissza az elektromos házat. A ház csak egy helyzetben rögzíthető, ezért ne erőltesse lefelé. Ha a helyén van, csavarozza be az 5 csavart. Teljesen csavarozza le a csavarokat, hogy bekapcsoljon a reteszelő kapcsoló.

7.1.12 Fordítsa az átalakító szelepet tő állásba, majd helyezze a tisztítókart rendező állásba.

7.1.13 Indítsa újra a szivattyút szivárgás ellenőrzése után, majd kapcsolja be az UV-lámpát. Ellenőrizze, hogy árad-e kekes fény az UV jelzőlencséből.

7.2 A kvarc UV-cső ápolása:

Különösen a kemény víző területeken az UVC-lámpát körülvevő kvarcon vízkő rakódhat le. Ha hagyjuk felhalmozódni, csökkenti az egység hatékonyságát. A tisztításhoz kapcsolja ki a szivattyút és az UV-lámpa áramellátását, távolítsa el az elektromos házat a 7.1 részben leírtak szerint, és törölje meg a kvarc csövet puha, enyhe tisztítószerrel - például ecettel - átítatott törülközővel (lásd a 18. ábrát). Viseljen védőruházatot - például védőszemüveget és kesztyűt - a kvarc cső tisztítása közben.

7.3 A Cypricube hab cseréje:

Ellenőrizze évente a habot. A habcsere gyakorisága a tő kialakításától függ. Javasoljuk, hogy télen cserélje ki a habot, mielőtt a tavasz kezdetén ismét elkezdené etetni a halakat*. Az év más részében tartsa a habcsere miatt változat a tő kémiai tulajdonsága, ami káros lehet a halakra nézve.

*Amint a tő vize elkezd lehűlni ősszel, a halak fokozatosan lassulnak, felkészülve a félig alvó állapot időszakára. Emésztő- és immunrendszerük lelassul, és nem képesek a melegebb hónapokban fogyasztott táplálékok emésztésére. Éhség esetén beírik egyszerűbb táplálékkal, amely természetesen előfordul a tavi környezetben. Ezért ha a tő hőmérséklete hosszabb időn keresztül 10 °C alá csökken, álljon le a halak etetésével. Amint az időjárás tavasz elején melegedni kezd, a halak egyre aktívabbak lesznek, Ön pedig fokozatosan elkezdheti az etetést.

7.3.1 Kapcsolja le a tápszivattyút és a szűrő áramellátását.

7.3.2 Forgassa az átkapcsoló szelepet hulladék állásba. Ezáltal a belső nyomás kiegyenlítődik a légköri nyomásra, a fedél pedig könnyen eltávolítható.

7.3.3 Nyissa fel a fedél rögzítőt (2. (n) ábra). Óvatosan engedje el és távolítsa el a fedelet a nyílásokkal szemben lévő 2 karral (19. ábra). Segíthet, ha eltávolítja a csatlakoztatott tömlőket.

7.3.4 Emelje fel és távolítsa el a habtartályt (2. (i) ábra), majd vegye ki a régi habot. Úrítse ki a vizet a szűrőedény belsejéből, amely a bio közeget egy hálóba gyűjti. A bio közeg nem igényel karbantartást.

7.3.5 Ha az edény alján iszap található, öblítse ki az edény alját a tó vizével.

7.3.6 Helyezze be a bio közeget, és ellenőrizze, hogy az a bio cső körül, az edény alján helyezkedik-e el (2. (o) ábra). A bio csőben ne legyen bio közeg (20. ábra).

7.3.7 Helyezze a habtartályt az edénybe. Forgassa el a habtartályt addig, amíg a habtartály tetején lévő kis háromszögek egybeesnek a szűrőedény belsejében lévő egyik függőleges vonallal (21. ábra). A habtartály a helyére pattan. **A fedél könnyű ráhelyezéséhez ellenőrizze, hogy a habtartály megfelelően helyezkedik-e el.**

7.3.8 Töltse meg a habtartályt az ajánlott mennyiségű Cypricube cserehábbal. Ne aggódjon, ha a száraz habkockák kicsit több helyet foglalnak el. Gondoskodjon arról, hogy ne essen hab a bio cső területének központi mélyedésébe.

Soha ne préselje le a habot, hogy az jobban beleférjen. A száraz habot laza állapotban kell hozzáadni, és ne töltse a szűrőedénynél magasabbra (22. ábra). Ha túl sok habot ad hozzá, megnehezíti a szűrő tisztítását.

7.3.9 Gondoskodjon arról, hogy a szűrőedény tetején lévő tömítés (2. (l) ábra) a helyén legyen, és ne legyen rajta törmelék vagy szennyeződés. Kenje meg a tömítést vékonyan szilikontartalmú zsírral az összeszerelés megkönnyítéséhez. Helyezze vissza a fedelet. Csúsztassa le az UV-lámpát takaró központi fekete csövet a központi mélyedésbe.

7.3.10 Helyezze vissza a fedélrögzítőt. Gondoskodjon arról, hogy ne gyűljön össze víz a peremrögzítő alatt, és kenje meg a csuklós kart olaj alapú kenőanyaggal.

7.3.11 Fordítsa az átalakító szelepet tő állásba, majd helyezze a tisztítókart rendező állásba.

7.3.12 Indítsa újra a szivattyút, és ellenőrizze, hogy nincs-e szivárgás. Ezután kapcsolja be az UV-lámpát. Ellenőrizze, hogy az UV jelzőlencse kék fényt bocsát-e ki.

Téli tárolás

8.1 Hideg téli időjárás esetén (amikor a halak inaktívak és az algásodás leáll) kikapcsolhatja az egységet. Majd távolítsa el, mossa át alaposan, tisztítsa és szárítsa meg, majd tárolja száraz és fagytól védett helyen. Mindig fedél nélkül tárolja az egységet, hogy gondoskodjon az elegendő szellőzésről és száradásról.

Hibaelhárítás / GYIKquestions

Probléma	Lehetséges ok	Elhárítás
Nincs vízáramlás a szűrőn keresztül a tóba.	A tápszivattyú nincs bekapcsolva vagy nem működik.	Ellenőrizze, hogy a szivattyú működik-e és be van-e kapcsolva.
	Eltömődött a bevezető tömlő.	Ellenőrizze, hogy nincs-e eltömődve a bevezető tömlő és a tóból visszatérő tömlő.
	Az átalakító szelep Hulladék állásba van állítva.	Fordítsa az átalakító szelepet Tő állásba.
Csökkentett áramlás a szűrőn keresztül	Eltömődtek a habok.	Tisztítsa meg a szűrőt (lásd a Tisztítás c. részt).
	Eltömődött a bevezető tömlő.	Ellenőrizze, hogy nincs-e eltömődve a bevezető tömlő és a tóból visszatérő tömlő.
A víz nem tiszta	Az új szűrő még nem működik hatékonyan.	A tó vizének tisztasága 2-3 héten belül kezd javulni, de a teljes biológiai érés akár 6-8 hetet is igénybe vehet, mielőtt a szűrő teljes mértékben hatékonyá válik.
	Nem megfelelő a szűrő mérete a tóhoz.	Ellenőrizze, hogy a tó kialakításának megfelelő szűrőt használ-e.
	Nem megfelelő a tápszivattyú mérete.	Ellenőrizze az áramlási sebességet. Lásd a 2.2 részt.
	Nem ég az UV-lámpa.	Ellenőrizze az UV jelzőlencsét. Cserélje ki az UV-lámpát.
	Régi az UV-lámpa.	12 havonta cserélje ki az UV-lámpát.
	A haboknak tisztításra van szükségük.	Tisztítsa meg a szűrőt (lásd a Tisztítás c. részt).
A tóból visszatérő tömlő kimenete a bevezető szivattyú felett van elhelyezve.	Helyezze úgy a szivattyút és a tóból visszatérő tömlőt úgy, hogy azok minél távolabb legyenek egymástól.	
A tóban túl sok hal van.	Csökkentse a tóban lévő halak számát.	
Tületetés.	Csak annyi táplálékot adjon a halaknak, amennyit néhány perc alatt el tudnak fogyasztani. Naponta csak egyszer etessen.	

Probléma	Lehetséges ok	Elhárítás
Nem forog a tisztítókar.	A szivattyú működik a tisztítás kezdetén.	Kapcsolja ki a szivattyút. Forgassa a kart mindkét irányba többször. Kapcsolja be a szivattyút (lásd a Tisztítás c. részt).

Hozelock Cyprio tisztá vízre vonatkozó jótállás

Ha Hozelock Cyprio Bioforce Revolution termékünket a megfelelő szivattyúval használja, GARANTÁLJUK, HOGY VÍZE TISZTA LESZ, ELLENKEZŐ ESETBEN VISSZAFIZETJÜK PÉNZÉT. Ez a jótállás a vásárlást követő 12 hónap során érvényes, feltéve, ha

- követte a szerelésre és a használatra vonatkozó utasításokat.
- megfelelő méretű készüléket használ a Hozelock Cyprio méretadatainak megfelelően.
- hibaelhárítás céljából megfelelő időben felvette a kapcsolatot ügyfélszolgálatunkkal (0121 313 1122).
- a terméket sértetlen állapotban visszaküldte.

A visszafizetést kizárólag a Hozelock Cyprio hagyhatja jóvá, és erre kizárólag a vásárlás helyén, a szűrő vételárának összegéig van lehetőség. Vegye figyelembe, hogy a tiszta vízre vonatkozó jótállás nem érvényes a víztisztaság hínár - nem pedig alga - miatti csökkenésére.

Hozelock Cyprio 2 éves jótállás

Ha ez a Bioforce Revolution (a lámpa kivételével) a vásárlás időpontjától számítva 2 éven belül javíthatatlanná válik, kérésének megfelelően ingyenesen kicseréljük vagy megjavítjuk, kivéve, ha megítélésünk szerint tönkrement. Nem vállalunk felelősséget baleset, nem megfelelő szerelés vagy használat miatti sérülésekért. A felelőség a hibás egység cseréjére vonatkozik. Ez a jótállás nem átruházható. Nem befolyásolja az Ön törvény által biztosított jogait. A jótállás érvényesítéséhez először forduljon a Hozelock Cyprio ügyfélszolgálatához (0121 313 1122), akik felkérhetik arra, hogy az egységet a vásárlást igazoló dokumentummal együtt küldje vissza az alábbi címre.

Kapcsolat / Pótalkatrészek

www.hozelock.com

Műszaki adatok

Cikkszám	1352	1353	1354
Termékválaszték	Bioforce Revolution		
Feszültség (V)	230V 50Hz		
UV-C teljesítmény (W)	18	24	36
A tó maximális mérete halakkal	6000 liter	9000 liter	14 000 liter
A tó maximális mérete halak nélkül	12 000 liter	18 000 liter	28 000 liter

Cikkszám	1352	1353	1354
Hozelock Cyprio Aquaforce szivattyú max. mérete (liter/óra)	4000	6000	8000
Max. áramlás, QMax, (liter/óra)	3000	4500	7000
IP-osztály	IP57	IP57	IP57
Max. vízhőmérséklet Tmax,, (°C)	35°C	35°C	35°C
Bioforce Revolution tisztítórendszer	✓	✓	✓

* Ellenőrzött körülmények között mérve



Ne helyezze az elektromos hulladékot a vegyes háztartási hulladékok közé, hanem vigye azt külön gyűjtőhelyre. Vegye fel a kapcsolatot a helyi önkormányzattal, ahol tájékoztatást adnak a rendelkezésre álló gyűjtőrendszerektől. Ha elektromos készülékeket helyeznek el a hulladéklerakókban, veszélyes anyagok szivároghatnak a talajvízbe, bejuthatnak a táplálékláncba, rontva ezáltal az egészségi állapotot és a jó közérzetet. Az Európai Unióban a régi készülékek újra történő cseréje esetén a viszonteladói törvényileg kötelezett a régi készülék ártalmatlanítás céljából való, térítésmentes visszavételére.

CZ/SK

Děkujeme vám za to, že jste si vybrali kvalitní výrobek firmy Hozelock. Můžete si být jistí, že tento výrobek vám bude spolehlivě sloužit.

- a** Elektrická skříňka.
- b** Víko.
- c** Čočka indikátoru UV lampy.
- d** Hlavice čisticího madla.
- e** Čisticí madlo.
- f** Směrovací ventil.
- g** Čisticí lopatky (žluté).
- h** UV kryt.
- i** Nádoba na pěnu.
- j** Pěna Cypricube.
- k** Bio médium.
- l** Těsnící O-kroužek na nádobu.
- m** Filtrační nádoba.
- n** Svorka na víko.
- o** Bio trubka.
- p** Hadicová koncovka a matka.
- q** Páčka.

NÁVOD K INSTALACI A POUŽÍVÁNÍ.



NEŽ SE PUSTÍTE DO INSTALACE, POZORNĚ SI PŘEČTĚTE TENTO NÁVOD.

NEDODRŽENÍ NÁSLEDUJÍCÍCH UPOZORNĚNÍ MŮŽE VÉST KE ZRANĚNÍ, POŠKOZENÍ VÝROBKU NEBO ÚHYNU RYB.

TENTO NÁVOD SI UCHOVEJTE, ABYSTE DO NĚJ MOHLI V BUDOUCNU NAHLÍŽET.

Hozelock Cyprio Bioforce Revolution je nová koncepce snadně udržby vodní filtrace zahradních jezírek.

Charakteristiky:

- je kompaktní a účinná
- snadno se instaluje.
- bez problémů se čistí a udržuje.
- lze ji umístit téměř kamkoli.

Při použití s vhodným čerpadlem zlepší čistotu vody, odstraní nežádoucí pevné částice z jezírka a přemění nerozpuštěné organické a chemické odpadní látky z ryb na neškodné sloučeniny.

Pozor: Výstražně upozornění na UV záření

Tento přístroj obsahuje zářič UV-C. Při používání přístroje bez dozoru nebo při poškození krytu může dojít k úniku nebezpečného záření UV-C. Záření UV-C může dokonce i v malých dávkách způsobit poškození zraku a poranění kůže. Lampa je vybavena blokovacím systémem, který ji v případě otevření elektrické skříňky vypne.

Po zapnutí lze zkontrolovat funkci lampy detekováním namodralého světla vycházejícího z čočky indikátoru UV záření. Zařízení nepouštějte bez vody.

Výstraha: Nepokoušejte se používat zářič UV-C, pokud je vyjmut z přístroje.

Důležité

Přístroj není určen pro používání osobami (včetně dětí), které mají omezené fyzické, smyslové či duševní schopnosti nebo které nemají dostatečné zkušenosti a vědomosti, pokud na ně nedohlží nebo jim pokyny k používání přístroje neposkytuje osoba zodpovědná za jejich bezpečnost. Děti je nutné hlídat, aby si s přístrojem nehrály. Pokud je zjevné, že je přístroj poškozen, nesmí se používat.

Výstraha: Bezpečnost a připojení k elektrickému proudu

- 1.1 VÝSTRAHA: NEŽ PŘI INSTALACI ZAŘÍZENÍ, JEHO OPRAVĚ, ÚDRŽBĚ NEBO PŘI MANIPULACI S NÍM VSNUNĚTE RUCI DO VODY, VŠECHNY PŘÍSTROJE NEJPRVE ODPOJTE ZE SÍTĚ.**
- 1.2 Tento filtr je určen pouze pro používání v zahradních jezírcích. Nepoužívejte jej pro žádné jiné účely (tzn. nepoužívejte jej v bazénech atd.). Jakékoli jiné použití výrobku může vést ke zranění osob nebo k jeho poškození.
- 1.3 Přístroje, které jsou zjevně poškozené, se nesmí používat.
- 1.4 Čírá trubice uvnitř jednotky je vyrobena z křemenného skla. Při instalaci a údržbě pracujte opatrně.

Doporučujeme používat prostředky na ochranu zraku a vhodné rukavice.

- 1.5 Filtr Bioforce Revolution je voděodolný, ale není ponorný. Umístěte jednotku ve vodorovné poloze k jezírku, ale ne tam, kde by mohl spadnout do vody nebo kde by se půda mohla zaplavit vodou (viz část „Instalace“).
- 1.6 **Důležité:** Tento výrobek je dodáván s 5metrovým třížilovým kabelem. Zástrčka dodávaná s tímto výrobkem není vodotěsná a musí se do sítě zapojit uvnitř suchého pouzdra odolného vůči povětrnostním vlivům, a to v souladu s místními předpisy.
- 1.7 **VÝSTRAHA:** Tento přístroj JE NUTNĚ uzemnit a je nezbytné, aby propojení byla provedena s použitím tohoto kódu:
 - HNĚDÁ - fáze
 - MODRÁ - střední pracovní vodič
 - ZELENÁ/ŽLUTÁ - ochranný vodič.
- 1.8 Odhalené vedení kabelů by mělo být s citem uloženo do armované chráničky, zejména pokud je riziko kontaktu se zahradním náčiním, jako jsou nůžky a sekačky, nebo pokud jsou přítomny děti a domácí zvířata.
- 1.9 Do sítě se MUSÍ zapojit maximálně 30mA proudový chránič (RCD).
- 1.10 Trvalé instalace do sítě (pevné zapojení) musí být provedeny v souladu s vnitrostátními a místními předpisy pro elektrické instalace. V případě jakýchkoli pochybností ohledně napojení do sítě se obraťte na kvalifikovaného elektrikáře nebo místní orgán pro elektrické instalace.
- 1.11 Nikdy nepoužívejte přívodní kabel nebo čistící madlo ke zvedání nebo přemísťování filtru, protože to může vést k jeho poškození. Pokud je zapotřebí filtr přemístit, je nutné jej nejprve vypnout a zbitvat vody. Potom výrobek zvedněte uchopením v místě, kde je víko přisvorkováno k hlavní nádobě.
- 1.12 Nikdy si nesedejte na čistící madlo ani se o něj neopírejte! (obr 4).
- 1.13 Filtr nikdy nezvedejte za čistící madlo. Jednotku vždy přenášejte oběma rukama tak, že pevně uchopíte okraj víka (obr. 5).
- 1.14 Nepoužívejte filtr za sucha.
- 1.15 Neblokujte vývody, když je filtr v provozu.
- 1.16 Pokud došlo k jakémukoli poškození přívodního kabelu, výrobek nepoužívejte. Přívodní kabel nelze vyměnit. Je-li kabel poškozen, je třeba elektrickou skříňku zlikvidovat v souladu s místními předpisy.
- 1.17 Chraňte před mrazem, pokud jednotku nebudete používat celoročně. (Viz část „Péče v zimě“).
- 1.18 Chraňte filtr před přímým sluncem.
- 1.19 Tento výrobek není vhodný pro teplotu vody nad 35 °C nebo pod 0 °C.
- 1.20 Používejte pouze takové příslušenství, které je určeno pro tento výrobek. Používáním jiného příslušenství nebo náhradních dílů můžete přijít o platnost záruky.

Výstraha: Bezpečnost a připojení k elektrickému proudu

2.1 Na druhé straně Tabulky technických informací jsou uvedeny všeobecné pokyny ohledně specifikací filtru a doporučeného čerpadla. Pro dosažení těch nejlepších výsledků je však třeba vzít v úvahu několik dalších kondičních koeficientů, protože snižují účinnost filtru.

- **Hloubka jezírka:** Hozelock Cyprio doporučuje pro jezírka Koi minimální hloubku 1,2m (4'). V případě jezírka s průměrnou hloubkou nižší než 0,75m (2' 6") je kondiční koeficient + 25%. Mělká jezírka jsou vystavena plnému průniku slunečního svitu a rychle se zahřívají. To podněcuje růst řas.
- **Umístění:** Poloha jezírka určuje množství slunečního svitu nebo stínu, kterému je jezírko každodenně vystaveno. Jezírka, která jsou po celý den na plném slunci, mají kondiční koeficient +25%.
- **Klimatické podmínky:** Klimatické podmínky mají vliv na teplotu vody a míru aktivity ryb/požadavky na krmení. Čím jsou ryby aktivnější, tím větší požadavky jsou kladen na filtrační systém. V horkých klimatech (např. v Jižní Africe) je kondiční koeficient +35%. V mírných klimatických pásmech (např. v jižní Evropě) je kondiční koeficient +15%. V klimatických podmínkách severní Evropy (např. na většině území Velké Británie) je kondiční koeficient +0%.

PŘÍKLAD: Máte jezírko s karasy o obsahu 2200 litrů a hloubce 0,75 m (kondiční koeficient +25%). Bydlíte v Londýně, tedy klimatickém pásmu severní Evropy (kondiční koeficient +0%). Jezírko je vystaveno plnému slunečnímu svitu (+25%). Účinný objem vašeho jezírka se tudíž zvyšuje o 50 % (25 % + 25 %), a vy proto musíte přizpůsobit své vybavení tak, jako by jezírko mělo obsah 3300 litrů.

2.2 **Průtok:** Pro dosažení nejlepších výsledků by obsah jezírka měl projít zařízením Bioforce Revolution každé 1½ - 2½ hodiny, přičemž nejrychlejší průtok se doporučuje pro jezírka Koi. Maximální průtok uvedený na druhé straně Tabulky technických informací nepřekračujte. Chcete-li mít čistší vodu, je důležité dodržet správný průtok. Pokud vaše instalace nemá velké ztráty (např. dlouhým hadicovým přívodem), může být pro dosažení oběhu vody za 1½ - 2½ hodiny zapotřebí upravit průtok pomocí kohoutků s regulací průtoku.

Výkon čerpadla mohou značně snižovat hadice s malým průměrem, zbytečně dlouhé hadice a čerpání do velké výšky („hlava“). Doporučujeme zvolit takové čerpadlo, které zajistí potřebný průtok při plném statickém zdvihu (= vertikální vzdálenost mezi povrchem jezírka a vtokem do filtru) plus 0,6 m, což počítá se třecími ztrátami v hadicích.

Cílem filtrace je přemístit odpad z jezírka do filtru; každé čerpadlo používané jako součást sestavy by tedy mělo být schopné vypořádat se s pevnými látkami, jak je to v případě řady čerpadel Aquaforce řady Hozelock Cyprio, které byly zkonstruovány výslovně pro jezírka o velikostech obsažených v řadě Bioforce Revolution. Čerpadlo by mělo být umístěno do nehlubší části jezírka, aby se zajistila co nejlepší cirkulace vody v jezírku a maximalizovala se schopnost vypořádat se s pevnými látkami. Čerpadlo by mělo být nainstalováno

na rovné plošině, která je vyzdvížena 300 mm nad dno jezírka. Tím se zabrání tomu, aby čerpadlo nenasávalo nečistoty přímo ze dna jezírka, a zajistí se, že v případě unikání vody z jezírka zůstane v jezírku dostatečné množství vody.

Jak si zkontrolujete průtok: Vezměte si nádobu, u níž znáte obsah a také za jak dlouho se naplní (ve vteřinách). Potom vydělíte 3600 počtem vteřin potřebných k naplnění nádoby a vynásobíte toto číslo obsahem (v litrech) nádoby. Výsledkem bude průtok v litrech za hodinu (l/hod).

- 2.3 **Hustota chovaných ryb:** Za normálních podmínek a běžného režimu krmení zajistí řada Bioforce Revolution až 50 cm na 1000 litrů kapacity jezírka. Ryby zavádějte několik počátečních týdnů pomalu, a to na 20 % maximální doporučené úrovně, a pokud chcete, zvyšujte je až na 50 % po uplynutí šesti měsíců. Rovnováha umožní růst ryb.
- 2.4 **Ošetřování jezírka:** Některé léčebné látky / způsoby ošetření se mohou pod působením záření UVC rychle znehodnocovat. V průběhu léčení nemocí zvažte vypnutí filtru. Mechanická a biologická filtrace bude fungovat dál.

Pokud jezírko ošetřujete s cílem odstranit řasy, vypněte čerpadlo a filtr po dobu zásahu a do doby, než řasy z jezírka vyjmete.

- 2.5 Mimořádnou péči je třeba věnovat napojením hadic, protože jakékoli netěsnost povedou k úbytku vody v jezírku.

Instalace

- 3.1 **Důležité:** Pro filtry řady Bioforce Revolution nepoužívejte čerpadlo s průtokem vyšším než 8000 l/hod nebo maximální hlavu přesahující 5 m.
- 3.2 **Důležité:** Filtry Bioforce Revolution je nutné nainstalovat pouze ve svislé poloze (obr. 6).
- 3.3 Filtry Bioforce Revolution jsou plněny čerpadlem a jedná se o externí tlakové filtry a jednotky UVC, které jsou vhodné buď k instalaci nad zemí (obr. 7) nebo do země (obr. 8) hned vedle jezírka nebo je lze ukryt v horní části vodopádu.

Pokud se rozhodnete nainstalovat filtr nad zemí, umístěte jej na rovnou podložku.

Pokud chcete filtr částečně zapustit do země, je nutné výkop vyplnit udusaným pískem pro podepření jednotky. Zvolíte-li tento způsob instalace, měli byste nechat nejméně 50mm mezery mezi svorkou a úrovní půdy, čímž zajistíte snadné vyjmutí pro každoroční údržbu.

- 3.4 Používání hadic s malým průměrem má za následek nadměrné omezení průtoku vody. Čím větší je průměr používané hadice, tím lepší bude výkon filtru, zejména v případě dlouhých hadicových přívodů. Hadicové koncovky, které dodáváme s touto jednotkou, jsou vhodné pro hadice Cypriflex 25 mm (1"), 32 mm (1¼") a 40 mm (1½"). V každém případě doporučujeme, abyste pro filtry Bioforce Revolution používali hadice o průměru 40 mm a tím předešli omezení průtoku.

Jakmile vyberete hadici požadovaného průměru, na koncovce hadice odřízněte stupně, které jsou menší než průměr hadice; zabráníte tak omezenému průtoku (obr 9).

Čerpadlo, které přivádí vodu do filtru, a vývod hadice pro návrat vody do jezírka by od sebe měly být tak daleko, aby docházelo k optimální cirkulaci vody. Pamatujte na to tedy, až budete nakupovat, měřit a řezat hadici Cypriflex.

Mezi přívodní čerpadlo a vtok do filtru (obr. 10 (i)) zapojte hadici vhodné délky. Hadici upevněte do koncovek pomocí svorek Hozelock Cyprio, které jsou k dostání samostatně. Potom stejným způsobem zapojte hadici vhodné délky do vývodu filtru (obr. 10 (ii)). Podrobné informace o odpadním vývodu (obr. 10 (iii)) najdete v části „Čištění“.

Čerpadlo umístěte na vhodné místo do jezírka a konec výtokové hadice uložte tak, aby se odfiltrovaná voda vracela do jezírka.

S hadicí při ukládání na místo nekrutěte ani ji ostře neohybejte. Snažte se, aby hadicové přívody byly co nejkratší – minimalizujete tím omezení průtoků.

- 3.5 Ujistěte se, že natahovací rukojeť je umístěna nad elektrickou skříňkou. Vezměte dodávané madlo a kryt natahovací rukojeti a připojte je k čisticímu madlu, a to tak, že madlo položíte na místo a zacvaknete jej (obr. 11).

Filtr je nyní připraven k použití.

Provoz

- 4.1 Ujistěte se, že směrovací ventil je otočen k výtoku jezírka (obr. 12).
- 4.2 Připojte napájecí šňůru filtru (viz část 1 – Bezpečnost a připojení k elektrickému proudu). Tím se zapne lampa UV-C. To, že lampa funguje, můžete zkontrolovat detekováním namodralého světla vycházejícího z čochky indikátoru UV zařízení nahoře na krytu (obr. 1 (c)).
- 4.3 Zapněte čerpadlo.
- 4.4 **Doba provozu:** Filtr nechce pracovat 24 hodin denně. V ideálním případě by měl běžet celý rok, nicméně alespoň v období krmení (tedy dokud teplota vody neklesne pod 10°C). V zimě budou čerpadlo a filtr udržovat v Bioforce základní hladinu užitečných bakterií a budou bránit promrznutí jezírka. Pokud čerpadlo na zimu vypnete, pak je nutné, abyste před obnovením filtrace na jaře filtr důkladně vymyli (viz „Uložení na zimu“, 11.0). Nikdy nekrmte ryby, když filtr nepoužíváte.

Dozrávání

- 5.1 Biologickým dozráváním se myslí to, že filtr vytvořil dostatek nitrifikačních bakterií, které přemění škodlivý rybí a jiný organický odpad (např. amoniak, dusitan) na relativně neškodný dusičnan. Tento proces běžně probíhá 6-8 týdnů, ale je závislý na mnoha faktorech, například teplotě vody, míře krmení a hustotě chovu. Dozrávání urychlíte přidáním dozrávacího činidla, například Hozelock Cyprio Filter Start.

Čištění

Kdy čistit Bioforce Revolution.

Filtry Bioforce Revolution podávají maximální výkon a přitom vyžadují minimální údržbu. Pokud je jezírko hodně znečištěné, bude zpočátku nutné čistit filtr za několik dní, protože do sebe odpadní látky pohlcuje velmi rychle. Když se jezírko trochu vyčistí, bude nutné odstraňovat méně odpadu, a proto bude

filtr potřeba čistit méně často. Tlakové filtry jsou neúčinnější, když je pěna částečně ucpaná. Jakmile se však ucpaní zvětší, poklesne průtok, protože proudit může proudit méně vody, a v tu chvíli je nutné filter vyčistit.

- 6.1 Odpojte filtr ze sítě.
- 6.2 Na odpadní vývod (obr. 10 (iii)) napojte pomocí dodávané koncovky a hadicové svorky hadici vhodné délky. Konec odpadní hadice můžete umístit nad drenáž nebo záhon. Odpadní voda je skvělé hnojivo.
- 6.3 Madlo několikrát natáhněte. Doporučujeme několik otáček jak po směru, tak proti směru hodinových ručiček (obr. 13). Při otáčení madla se otáčejí žluté čistící lopatky (obr. 2 (g)), které oddělí a vymačkají všechny pěnové bloky a uvolní nečistoty, které se v nich nahromadily.
- 6.4 Otočte směrovacím ventilem do polohy odpadu (obr. 14). Ulysíte „zacvaknutí“.
- 6.5 Zapněte čerpadlo.
- 6.6 Dál otáčejte madlem (úplně otočení v obou směrech). Odpadní voda bude zpočátku jasně zelená nebo hnědá, a to podle konstrukce jezírka.

Za chvíli pak bude intenzita barvy odpadu slabší a voda se začne čistit. V tuto chvíli přestaňte madlem otáčet a vraťte ho do přepravní polohy nad hlavním krytem (obr. 15).

Počkejte 5 vteřin, až se vypláchnou poslední zbytky odpadu, a směrovací ventil otočte zpět na jezírko.

VÝSTRAHA: Ponecháte-li ventil v poloze odpadu, jezírko se vypustí. Ujistěte se, že je znovu zapnut na vývod jezírka.

- 6.7 Čas potřebný k vyčištění filtru je závislý na několika faktorech, ale zpravidla platí, že čím pravidelněji budete filtr čistit, tím kratší dobu bude čištění vyžadovat. Čištění obvykle zabere několik minut.

Čas od času budete muset do jezírka doplnit vodu, abyste nahradili odpadní vodu odstraněnou během čištění. Částečná výměna vody je důležitou stránkou udržování zdravého vodního systému v jezírku.

Údržba

Výstraha: Než přístroj otevřete, přečtěte si tyto pokyny k údržbě.

Výstraha: nepokoušejte se sejmout kryt nebo elektrickou skříňku, když čerpadlo a filtr používáte. Ve svorce na víko je otvor na zámek, který má zabránit náhodnému otevření, a doporučujeme používat jej, když se pohybujete v blízkosti mohou vyskytovat děti.

- 7.1 **Výměna UV lampy:**

Výstraha: Před odpojením zářiče UV-C je nutné odpojit přístroj od proudu.

Účinnost UV lampy se časem značně snižuje, a proto byste ji měli každých 2 měsíců vyměnit, i když je stále ještě funkční.

- 7.1.1 Vypněte přívod proudu do čerpadla a filtru.
- 7.1.2 Směrovací ventil otočte na odpad. Díky tomu se vnitřní tlak vyrovná s atmosférickým tlakem, což umožní snadnou demontáž elektrické skříňky, aniž by se voda dostala na horní část víka.
- 7.1.3 Otočte čistícím madlem o polovinu otáčky tak, aby elektrické skříňce neprekážela (obr. 16 (i)).

- 7.1.4** Pomocí šroubováku vyjměte 5 šroubů, kterými je elektrická skříňka připevněna k víku. (Obr. 16 (ii)). Pro uložení šroubů během výměny lampy je přístroj vybaven kapsou mezi vtokem do filtru a odtokem (obr. 16 (iii)).
- 7.1.5** Elektrickou skříňku vyjmete tak, že ji uchopíte a opatrně vytáhnete. Skříňku otočte dnem vzhůru a položte ji na suchý rovný podklad.
- 7.1.6** Obr. 17. Odšroubujte zamykací objímku trubice z křemenného skla (i). Trubicí (ii) opatrně držte, zvedněte ji a vyjměte ji společně s o-kroužky (iii) a zamykací objímkou.
- 7.1.7** Opatrně vyjměte starou lampu tak, že ji vytáhnete z držáku a vyjmete černý ochranný kryt z konce lampy (obr.17 (iv)) a vyjměte desku reflektoru (obr. 17 (v)). Starou lampu zlikvidujte v souladu s místními předpisy a nasadte lampu novou.
- 7.1.8** Znovu zasuňte desku reflektoru a zatlačte černý kryt na konec lampy.
- 7.1.9** Nasuňte křemennou trubicí přes lampu. Ujistěte se, že oba o-kroužky na spodní části křemenné trubice jsou čisté a neobsahují žádné nečistoty.
- 7.1.10** Nasuňte zamykací objímku přes křemennou trubicí a zašroubujte. Měli byste šroubovat tak dlouho, dokud zarážka uzamykací objímky nenarazí na zarážku skříňky, takže objímku už nebude možné vyšroubovat.
- 7.1.11** Elektrickou skříňku znovu zasuňte. Skříňku je možné připevnit pouze v jedné poloze, a proto se nesnažte tlačít na ni silou. Jakmile bude na svém místě, našroubujte 5 šroubů. Šrouby musíte našroubovat úplně, aby se aktivoval spínač zámku.
- 7.1.12** Směrovací ventil otočte zpět na jezírko a čistící madlo umístěte do přepravní polohy.
- 7.1.13** Nejprve znovu pusťte čerpadlo, abyste zkontrolovali netěsnosti, a potom zapněte UV lampu. Zkontrolujte, zda z čoček indikátoru UV svítí namodralé světlo.

7.2 Péče o křemennou trubicí UV:

Zejména v oblastech, kde je tvrdá voda, se může stát, že se křemenná trubice pokryje usazeninami vápna. Pokud nezabráníte jeho tvorbě, sníží se účinnost jednotky. Pro čištění vypněte čerpadlo a přívod proudu do UV, demontujte elektrickou skříňku způsobem popsaným v bodě 7.1 a křemennou trubicí otřete měkkým hadříkem namočeným do čistícího prostředku, například octa (viz obr. 18). Při čištění křemenné trubice byste měli nosit ochranný oděv, například ochranné brýle a rukavice.

7.3 Výměna pěny Cypricube:

Pěnu každý rok kontrolujte. Četnost výměny pěny bude záviset na konstrukci jezírka. Doporučujeme, abyste pěnu měnili v zimním období a před zahájením krmení počátkem jara". Výměnou pěny v jiném ročním období můžete způsobit změnu chemického složení jezírka, což může ublížit vašim rybám.

*Když na podzim voda v jezírku ochladne, ryby se začínají zpomalovat a připravují se na období častější nečinnosti. Jejich trávicí a imunitní systém zpomaluje, a tudíž už nejsou schopny trávit stejný druh potravy, jakou se živi v teplejších měsících. Pokud mají hlad, žijí se jednoduššími potravinami, které se přirozeně vyskytují v prostředí jezírka. Pokud tedy teplota jezírka

klešá delší dobu pod 10 °C, měli byste přestat ryby krmit. Jakmile se počátkem jara začne oteplovat a ryby začnou být aktivnější, můžete s krmením ryb znovu postupně začít.

- 7.3.1** Odpojte napájecí čerpadlo a filtr od proudu.
- 7.3.2** Směrovací ventil otočte na odpad. Tím se vyrovná vnitřní tlak s atmosférickým tlakem, což umožní snadnou demontáž víka.
- 7.3.3** Uvolněte svorku víka (obr. 2(n)). Víko opatrně uvolněte a vyjměte pomocí dvou páček v protilehlých otvorech (obr. 19). Možná vám pomůže, když demontujete připojené hadice.
- 7.3.4** Zvedněte a vyjměte nádobu s pěnou (obr. 2(i)) a starou pěnu zlikvidujte. Vylijte vodu z filtrační nádoby a bio médium zachyťte do sítky. Bio médium nevyžaduje žádnou údržbu.
- 7.3.5** Pokud je dno nádoby pokryto vrstvou usazeniny, vypláchněte jej trochou vody z jezírka.
- 7.3.6** Vyměňte bio médium a ujistěte se, že je umístěno kolem bio trubky (obr. 2(o)) na dně nádoby. Uvnitř bio trubky nesmí být žádné bio médium (obr. 20).
- 7.3.7** Umístěte vědro s pěnou do nádoby. Otáčejte vědrem s pěnou tak dlouho, dokud malé trojúhelníčky nahoře na vědru nejsou v jedné rovině se svislými čarami uvnitř filtrační nádoby (obr. 21). **Vědro s pěnou dosedne na místo. Ujistěte se, že vědro s pěnou je správně umístěno, aby bylo možné snadno položit víko.**
- 7.3.8** Vědro naplňte doporučeným množstvím vyměněné pěny Cypricube. Nemějte obavy, jestliže suché pěnové bloky zabírají trochu víc místa, když jsou nové. Ujistěte se, že prostředním otvorem nepadá do oblasti bio trubice žádná pěna.
- Pěnu nikdy nestlačujte, aby se jí vešlo víc. Suchou pěnu byste měli přidávat volně a neměli byste ji plnit výš než filtrační nádobu (obr. 22). Pokud přidáte příliš mnoho pěny, bude obtížnější vyčistit filtr.**
- 7.3.9** Ujistěte se, že těsnění (obr. 2(l)) v horní části filtrační nádoby, je na svém místě a není na něm špína ani nečistoty. Pokud to usnadní montáž, dejte na těsnění trochu silikonového maziva. Víko znovu nasadte. Vsuňte středovou černou trubicí, která kryje UV lampu, dolů středovým otvorem.
- 7.3.10** Znovu nasadte svorku víka. Ujistěte se, že se pod páskovou svorkou nehromadí voda, a zavěšenou páčku mažte pomocí maziva na olejové bázi.
- 7.3.11** Směrovací ventil otočte zpět na jezírko a čistící madlo umístěte do přepravní polohy.
- 7.3.12** Nejprve znovu pusťte čerpadlo, abyste zkontrolovali netěsnosti. Potom zapněte UV lampu. Zkontrolujte, zda z čoček indikátoru UV svítí namodralé světlo.

Uložení na zimu

- 8.1** Za chladného zimního počasí (když jsou ryby neaktivní a zastavuje se růst řas) je možné jednotku vypnout. Potom je nutné ji demontovat, důkladně omýt, vyčistit a vysušit a uložit na suchém místě chráněném před mrazem. Jednotku vždy skladujte s otevřeným víkem, abyste zajistili odpovídající větrání a vysušení.

Odstraňování závad / FAQquestions

Problém	Možná příčina	Řešení
Filtrem neprotéká do jezírka voda.	Přívodní čerpadlo není zapnuto nebo nefunguje.	Zkontrolujte, zda čerpadlo funguje a je zapnuto.
	Přívodní hadice je ucpaná.	Zkontrolujte, zda přívodní hadice a hadice pro návrat vody do jezírka nejsou zablokovány.
	Směrovací ventil je nastaven na „Odpad“	Otočte směrovací ventil na „jezírko“.
Snížený průtok filtrem	Pěny jsou ucpané.	Filtr vyčistěte (viz „Čištění“).
	Přívodní hadice je ucpaná.	Zkontrolujte, zda přívodní hadice a hadice pro návrat vody do jezírka nejsou zablokovány.
Voda se nečistí	Nový filtr ještě nedozrál.	Čistota vody v jezírku by se měla zlepšit do 2-3 týdnů, ale do úplného biologického dozrání to může trvat 6-8 týdnů, aby byl filtr zcela účinný.
	Nesprávná velikost filtru pro vaše jezírko.	Zkontrolujte, zda pro konstrukci vašeho jezírka používáte odpovídající filtr.
	Nesprávná velikost přívodního čerpadla.	Zkontrolujte průtok. Viz 2.2.
	Prasklá UV lampička.	Zkontrolujte čočku indikátoru UV. UV lampičku vyměňte.
	Stará UV lampička.	UV lampičku vyměňte každých 12 měsíců.
	Pěny potřebují vyčistit.	Vyčistěte filtr (viz „Čištění“).
	Vývod hadice pro návrat vody do jezírka je umístěn nad přívodním čerpadlem.	Přesuňte čerpadlo nebo vývod hadice pro návrat vody do jezírka tak, aby byly co nejdále od sebe.
	V jezírku je příliš mnoho ryb.	Zredujte množství ryb v jezírku.
Nadměrné krmení.	Krmte ryby pouze takovým množstvím potravy, kolik mohou zkonzumovat během několika minut. Krmte pouze jednou denně.	
Čistící madlo se neotáčí.	Čerpadlo běžící na začátku čištění.	Čerpadlo vypněte. Několikrát madlo natáhněte v obou směrech. Zapněte čerpadlo (viz „Čištění“).

Záruka Hozelock Cyprio Clearwater

ZÁRUČUJEME VÁM ČISTOU VODU NEBO VÁM VRÁTÍME PENÍŽE za systém Hozelock Cyprio Bioforce Revolution, pokud jej používáte s odpovídajícím čerpadlem. Tato záruka platí 12 měsíců od zakoupení, pokud

- Jste dodrželi návod k instalaci a obsluze.
- Používáte vybavení správné velikosti v souladu s informacemi Hozelock Cyprio ohledně velikosti.
- Dostatečně včas volejte naši asistenční linku (0121 313 1122), aby vaše problémy mohly být vyřešeny.
- Výrobek je vrácen nepoškozený.

Vrácení peněz může schválit pouze Hozelock Cyprio a uskuteční se pouze v místě zakoupení, a to jen do hodnoty nákupní ceny. Upozorňujeme, že záruka Clearwater se nevztahuje na znečištění vody, jehož příčinou – na rozdíl od řas způsobujících zelenou vodu – je dlouhá vláknitá řasa.

2letá záruka Hozelock Cyprio

Pokud tento výrobek Bioforce Revolution (s výjimkou lampy) přestane během 2 let od data zakoupení fungovat, můžeme se rozhodnout pro jeho bezplatnou opravu či výměnu v případě, že podle našeho názoru nebyl poškozen. Odpovědnost nepřebíráme za škody způsobené nešťastnou náhodou, nesprávnou instalací nebo nesprávným používáním. Záruka je omezena na výměnu vadné jednotky. Tato záruka je nepřenositelná. Nemá žádný dopad na vaše zákonná práva. Chcete-li využít této záruky, nejprve se obraťte na zákaznické služby Hozelock Cyprio (0121 313 1122), kde můžete být požádáni o zaslání jednotky společně s dokladem o zakoupení přímo na adresu dole.

Kontakt / Náhradní díly

www.hozelock.com

Technické informace

Součást číslo	1352	1353	1354
Řada	Bioforce Revolution		
Volty (V)	230V 50Hz		
Výkon UVC (W)	18	24	36
Maximální velikost jezírka s rybami	6000 l	9000 l	14000 l
Maximální velikost jezírka bez ryb	12 000 l	18 000 l	28 000 l
Max. velikost čerpadla Hozelock Cyprio Aquaforce (l/hod)	4000	6000	8000
Max. průtok, QMax, (l/hod)	3000	4500	7000
Klasifikace IP	IP57	IP57	IP57
Max. teplota vody Tmax, (°C)	35°C	35°C	35°C
Čistící systém Bioforce Revolution	✓	✓	✓

* Měřeno za řízených podmínek



Elektrická zařízení nelikvidujte jako netříděný komunální odpad; použijte oddělená zařízení pro sběr. Informace týkající se sběru dostupných systémů si vyžádejte od místních orgánů. Pokud se elektrické přístroje likvidují na skládkách nebo na smetištích, mohou do podzemních vod unikat nebezpečné látky, které se následně mohou dostat do potravinového řetězce a poškodit vaše zdraví. Při výměně starých přístrojů za nové má v EU maloobchodník zákonnou povinnost vzít zpět vaše staré zařízení k likvidaci minimálně bezplatně.

- Возможность установки практически в любом месте.

При использовании с соответствующим насосом для пруда данное устройство позволит улучшить чистоту воды, удалить из пруда нежелательные твердые частицы, а также будет способствовать разложению растворенных в воде органических и химических отходов рыбоводства на безвредные компоненты.

Внимание! Ультрафиолетовое излучение!

Данное устройство содержит источник ультрафиолетовых лучей спектра С. Использование устройства не по назначению или повреждение корпуса могут стать причиной выброса опасных ультрафиолетовых лучей спектра С. Даже в незначительных количествах ультрафиолетовые лучи спектра С вредны для глаз и кожи. Лампа оборудована устройством блокировки, автоматически выключая лампу при открытии коробки электрооборудования.

Если лампа включена, индикатор работы лампы светится синим цветом. Не используйте данное устройство без воды.

Внимание! Не используйте источник ультрафиолетовых лучей спектра С после извлечения из корпуса устройства.

Важно!

Данное устройство не предназначено для использования людьми (в том числе детьми) с ограниченными физическими или умственными способностями, нарушениями органов слуха, а также с отсутствием определенного опыта и знаний в данной области, если они не находятся под присмотром человека, ответственного за их безопасность, или им не было предоставлено обучение по использованию устройства. Дети вблизи данного устройства должны находиться под присмотром взрослых, которые запрещали бы им играть с ним. Запрещается использовать данное устройство, если оно имеет явные признаки повреждения.

Внимание! Техника безопасности при подключении электрооборудования

- 1.1 ВНИМАНИЕ! ОБЯЗАТЕЛЬНО ВЫКЛЮЧАЙТЕ ИЗ РОЗЕТКИ ИЛИ ОТКЛЮЧАЙТЕ ЭЛЕКТРОПИТАНИЕ ВСЕХ УСТРОЙСТВ В ПРУДУ, ПРЕЖДЕ ЧЕМ ОПУСТИТЬ РУКИ В ВОДУ ВО ВРЕМЯ УСТАНОВКИ, РЕМОНТА, ТЕХНИЧЕСКОГО ОБСЛУЖИВАНИЯ ИЛИ ПЕРЕМЕЩЕНИЯ ОБОРУДОВАНИЯ.**
- 1.2** Данный фильтр разработан исключительно для использования в садовых прудах. Не используйте данный фильтр в других целях (в бассейнах и т. п.). Использование данного устройства не по назначению может стать причиной травмы или повреждения устройства.
- 1.3** Запрещается использовать устройства, имеющие явные признаки повреждения.
- 1.4** Прозрачная трубка внутри устройства изготовлена из кварцевого стекла — следует соблюдать осторожность при установке и техническом обслуживании. Рекомендуется использовать средства защиты глаз и соответствующие перчатки.

RU

Благодарим вас за то, что вы выбрали продукцию Hozelock. Вы можете быть уверены в качестве и надежной работе приобретенного вами оборудования.

- a** Коробка электрооборудования.
- b** Крышка в сборе.
- c** Индикатор работы УФ лампы.
- d** Рукоятка ручки очистки.
- e** Ручка очистки.
- f** Отводной вентиль.
- g** Чистящие пальцы (желтого цвета).
- h** Колпак УФ лампы.
- i** Корзина для пенопластовых кубиков.
- j** Кубики Surplecube.
- k** Биоматериал.
- l** Уплотнительное кольцо камеры.
- m** Камера фильтра.
- n** Зажим крышки.
- o** Воронка биоматериала.
- p** Штуцер и гайка.
- q** Рычаг.

ИНСТРУКЦИЯ ПО УСТАНОВКЕ И ЭКСПЛУАТАЦИИ.



ПЕРЕД НАЧАЛОМ УСТАНОВКИ НЕЗАБЫТЕЛЬНО ПРОЧТИТЕ ЭТУ ИНСТРУКЦИЮ. НЕСОБЛЮЖДЕНИЕ СЛЕДУЮЩИХ УКАЗАНИЙ МОЖЕТ СТАТЬ ПРИЧИНОЙ ТРАВМ, ПОВРЕЖДЕНИЯ УСТРОЙСТВА ИЛИ ГИБЕЛИ РЫБЫ.

СОХРАНИТЕ ЭТУ ИНСТРУКЦИЮ ДЛЯ ИСПОЛЬЗОВАНИЯ В БУДУЩЕМ.

Устройство Hozelock Cyprio Bioforce Revolution представляет собой новое решение в области систем фильтрации воды для садовых прудов.

Преимущества данного устройства:

- Компактность и эффективность
- Простота установки.
- Простота очистки и технического обслуживания.

- 1.5 Фильтр Bioforce Revolution устойчив к атмосферным воздействиям, но не пригоден для использования под водой. Установите устройство возле пруда в вертикальном положении, но не в месте, откуда оно может упасть в воду или где его может затопить водой (см. раздел «Установка»).
- 1.6 **Важно!** Данное устройство поставляется в комплекте с трехжильным кабелем длиной 5 м. Поставляемый с настоящим устройством штекер разъемного соединения не защищен от воды. Точка подключения к электросети должна быть расположена во влагозащищенной коробке, устойчивой к воздействию окружающей среды, и соответствовать местным нормам и требованиям.
- 1.7 **ВНИМАНИЕ!** Данное устройство **ОБЯЗАТЕЛЬНО** необходимо заземлять. При подключении соблюдать следующие правила:

- КОРИЧНЕВЫЙ — фаза
- СИНИЙ — нейтраль
- ЗЕЛЕНый/ЖЕЛТЫЙ — земля.

- 1.8 При прокладке кабелей необходимо тщательно продумать их расположение и обеспечить их защиту с помощью армированного короба или кабелепровода, в особенности если существует вероятность повреждения кабеля садовым инструментом, газонокосилками, детьми или домашними животными.
- 1.9 Подключение к электросети **ОБЯЗАТЕЛЬНО** должно быть оснащено автоматическим предохранителем номиналом не более 30 мА.
- 1.10 Постоянное (неразъемное) подключение к электросети должно соответствовать местным и общегосударственным требованиям к электрооборудованию. При возникновении сомнений по поводу подключения к электросети проконсультируйтесь с квалифицированным электриком или обратитесь в местный орган энергоснабжения.
- 1.11 Ни в коем случае не поднимайте и не передвигайте фильтр, удерживая его за кабель электропитания или ручку для очистки. Это может привести к поломке устройства. Если фильтр необходимо передвинуть, отключите его и слейте воду. Затем поднимите устройство, удерживая его в том месте, в котором крышка прижата к основной камере фильтра.
- 1.12 Запрещается садиться или опираться на ручку для очистки! (Рис. 4).
- 1.13 Запрещается поднимать фильтр за ручку для очистки. Переносите устройство двумя руками, надежно придерживая при этом край крышки (рис. 5).
- 1.14 Не используйте фильтр без воды.
- 1.15 При работе фильтра не допускайте блокирования выпускных отверстий.
- 1.16 Не используйте данное устройство при наличии каких бы то ни было повреждений кабеля электропитания. Кабель электропитания замене не подлежит. Если кабель поврежден, утилизируйте коробку электрооборудования согласно нормам местного законодательства.
- 1.17 Защищайте устройство от мороза, если не предполагается его круглогодичное использование. (См. раздел «Уход в зимний период»).
- 1.18 Защищайте фильтр от попадания прямых солнечных лучей.
- 1.19 Данное устройство не предназначено для работы при температуре свыше 35 °C или ниже 0 °C.
- 1.20 Используйте только специальные дополнительные принадлежности, рассчитанные на работу с данным устройством. Использование других дополнительных принадлежностей или запчастей может привести к прекращению действия гарантии.

Общее руководство

2.1 В таблице «Техническая информация» на обратной стороне приведены общие сведения о технических характеристиках фильтра и рекомендуемого насоса. Однако для достижения оптимальных результатов работы необходимо учитывать ряд прочих условий и факторов, которые могут приводить к ухудшению рабочих характеристик фильтра.

- **Глубина пруда.** Компания Hozelock Cyprio рекомендует для прудов с декоративными рыбками глубину не менее 1,2 м. Для прудов, средняя глубина которых составляет менее 0,75 м, коэффициент погодных условий равен +25%. В мелкие пруды полностью проникает солнечный свет, поэтому они быстрее прогреваются. Это способствует росту водорослей.
- **Местоположение.** Местоположение пруда определяет количество солнечного света, получаемого им за день. Для прудов, полностью открытых для солнечных лучей в течение всего дня, коэффициент погодных условий равен +25%.
- **Климат.** Климат влияет на температуру воды, а также степень активности рыбы и нормы ее кормления. Чем активнее рыба, тем выше требования к системе фильтрации. В странах с жарким климатом (например, в ЮАР) коэффициент погодных условий равен +35%. В странах с умеренным климатом (например, на юге Европы) коэффициент погодных условий равен +15%. В странах с климатом, характерным для севера европейского континента (в том числе на большей территории Великобритании), коэффициент погодных условий равен +0%.

ПРИМЕР. Пруд с декоративными рыбками объемом 2200 литров и глубиной 0,75 м (коэффициент погодных условий +25%). Пруд расположен в Лондоне — северо-европейский климат (коэффициент погодных условий +0%). В пруд попадает максимальное количество солнечных лучей (+25%). Таким образом, расчетный объем пруда будет больше на 50% (25% + 25%), так что при выборе оборудования нужно будет исходить из объема пруда 3300 литров.

2.2 **Ток воды.** Для достижения оптимальных результатов через фильтр Bioforce Revolution следует пропускать объем воды, равный полному объему пруда, каждые 1,5 — 2,5 часа,

при этом для прудов с декоративными рыбами рекомендуется максимальная подача воды. Запрещается превышать максимальный ток воды, указанный в таблице «Техническая информация» на обратной стороне. Для поддержания чистоты воды необходимо обеспечить правильный объем подачи воды в фильтр. Если на вашей установке не отмечается потеря воды в больших объемах (в результате, например, большого расстояния прокладки шланга), может понадобиться отрегулировать ток воды с помощью регулировочного крана таким образом, чтобы обеспечить пропускание полного объема пруда за 1,5 — 2,5 часа.

Недостаточный диаметр шланга, слишком длинный шланг и слишком большая высота подъема воды насосом (чрезмерный напор) могут приводить к существенному снижению производительности насоса. Рекомендуется выбирать насос, способный обеспечить необходимый ток воды при существующей высоте подъема (вертикальном расстоянии между поверхностью пруда и входом фильтра) плюс 0,6 м, что позволит компенсировать потери на трение в шлангах.

Задачей фильтрации является перенос отфильтрованных материалов из пруда в фильтр, поэтому насосы, используемые в комплекте с фильтром, должны обладать способностью работать с твердыми частицами отходов. Такими являются насосы Hozelock Cyprio линейки Aquaforce, разработанные специально для применения в прудах с такими же характеристиками, как и насосы линейки Bioforce Revolution. Насос следует установить в самой глубокой части пруда, что позволит улучшить циркуляцию воды в пруду и оптимизировать работу с твердыми частицами. Следует установить насос на плоской ровной платформе на уровне 300 мм над дном пруда. Это позволит предотвратить засасывание насосом ила с дна пруда и обеспечить необходимое количество воды в пруду при случайной утечке.

Как проверить ток воды в фильтре: Возьмите контейнер известного объема и измерьте время, которое уходит на его наполнение (в секундах). Затем разделите 3600 на количество секунд, потраченных на наполнение контейнера, и умножьте на объем контейнера (в литрах или галлонах). В результате получится значение подачи воды на фильтр в литрах или галлонах в час.

2.3 Плотность посадки рыбы. При нормальных условиях и обычном режиме кормления рыбы линейка фильтров Bioforce Revolution пригодна к эксплуатации при плотности рыбы 50 см на 1000 литров (10 дюймов на 100 галлонов). В течение первых недель запускать рыбу следует постепенно, до 20% от максимального рекомендуемого уровня. После шести месяцев можно увеличить количество до 50%. Подобный баланс будет способствовать росту рыбы.

2.4 Медикаменты и средства по уходу за прудом. Некоторые медикаменты или средства по уходу за прудом могут очень быстро разлагаться под воздействием ультрафиолетовых лучей спектра С. Возможно, на время применения таких средств

следует отключить фильтр. При этом процесс механической и биологической фильтрации не прекратится.

При обработке пруда средствами для борьбы с зелеными водорослями выключите насос и фильтр на все время проведения работ, пока водоросли не будут удалены из пруда.

2.5 Особую осторожность следует соблюдать при работе в местах подключения шлангов, поскольку утечки могут стать причиной потери воды из пруда.

Установка

- 3.1 Важно!** Не используйте с фильтрами Bioforce Revolution насосы производительностью свыше 8000 литров в час или максимальной высотой подъема воды более 5 м.
- 3.2 Важно!** Фильтры Bioforce Revolution можно устанавливать исключительно в вертикальном положении (рис. 6).
- 3.3** Фильтры Bioforce Revolution являются внешними устройствами фильтрации и обработки воды под давлением ультрафиолетовым излучением, которые предназначены для подключения к насосу и установки над землей (рис. 7) или в земле (рис. 8) возле пруда, а также для скрытой установки в верхней части водопада.

При установке фильтра над землей его нужно расположить на ровной горизонтальной поверхности.

При установке фильтра частично погруженным в землю стенки и дно ямы необходимо плотно утрамбовать песком таким образом, чтобы фильтр был надежно закреплен в углублении. При данном способе установки следует оставить промежуток в 50 мм между зажимом и уровнем поверхности земли, чтобы его можно было легко снимать для ежегодного технического обслуживания.

3.4 Использование шлангов малого диаметра может привести к чрезмерному ограничению потока воды. Чем больше диаметр используемого шланга, тем выше производительность фильтра, особенно для длинных шлангов. Штуцеры, прилагаемые к данному устройству, подходят к шлангам Cypriflex диаметром 25 мм (1"), 32 мм (1 1/4") и 40 мм (1 1/2"). При использовании фильтров Bioforce Revolution во избежание ограничения потока воды рекомендуется использовать шланг диаметром 40 мм.

Выбрав нужный диаметр шланга, обрежьте ступени штуцера меньшего диаметра, чтобы избежать ограничения потока воды (рис. 9).

Для оптимальной циркуляции воды следует разместить насос, который подает воду к фильтру, как можно дальше от выхода шланга возврата воды. Учитывайте это при покупке, измерении и обрезке шлангов Cypriplex.

Установите шланг подходящей длины между насосом подачи воды и входом фильтра (рис. 10 (i)), прикрепив шланг к штуцеру с помощью поставляемых отдельно хомутов Hozelock Cyprio. Затем подключите таким же образом шланг подходящей длины к выходному отверстию

фильтра (рис. 10 (ii)). Подробнее об отверстиях для отвода грязной воды (рис. 10 (iii)) см. в разделе «Очистка».

Установите насос в подходящем месте пруда и направьте конец выпускного шланга таким образом, чтобы отфильтрованная вода возвращалась обратно в пруд.

При установке шлангов избегайте скручивания и резких перегибов. Старайтесь свести к минимуму длину шлангов, чтобы уменьшить ограничение тока воды.

- 3.5 Расположите поворотную ручку над коробкой электрооборудования. Возьмите рукоятку ручки с насадкой и прикрепите к ручке очистки, вставив ее в соответствующее отверстие. При фиксации раздается щелчок (рис. 11).

Фильтр готов к использованию.

Работа

- 4.1 **Убедитесь, что отводной вентиль в положении возврата воды в пруд (рис. 12).**
- 4.2 Подключите кабель питания фильтра (см. раздел 1 «Техника безопасности при подключении электрооборудования»). При подключении лампа УФ. Чтобы проверить, работает ли лампа, см. индикатор УФ в верхней части корпуса устройства (рис. 1 (с)). При работе лампы он светится синим цветом.
- 4.3 Включите насос.
- 4.4 **Периоды работы.** Оставляйте фильтр включенным круглосуточно. В идеале он должен работать весь год или хотя бы в период нагульного сезона (т. е. до того времени, когда температура воды упадет ниже 10 °С). Зимой работа насоса и фильтра будет способствовать сохранению базового уровня полезных бактерий в системе Bioforce и предотвратит замерзание пруда. Если насос на зиму отключается, тщательно промойте фильтр перед возобновлением фильтрации весной (см. раздел «Хранение в зимний период», 11.0). Ни в коем случае нельзя кормить рыбу, если фильтр не используется.

Созревание

- 5.1 Биологическое созревание означает, что в фильтре накопилось достаточное количество нитрифицирующих бактерий для переработки вредных отходов рыбоводства и других органических отходов (аммиака, нитрита) в относительно безвредные нитраты. Как правило, данный процесс длится 6-8 недель, однако это зависит от многих факторов, таких как температура воды, объем подачи воды и плотность посадки рыбы. Ускорить процесс созревания можно с помощью ускорителя созревания Hozelock Cyprio Filter Start.

Очистка

Очистка устройства Bioforce Revolution.

Фильтры Bioforce Revolution обеспечивают максимальную производительность при минимальной необходимости в техническом обслуживании. Если пруд очень загрязнен,

вначале может понадобиться чистить фильтр раз в несколько дней, поскольку он будет быстро загрязняться. Как только пруд станет чище, станет меньше отходов и фильтр будет нуждаться в чистке не так часто. Фильтры, работающие под давлением, достигают наивысшей эффективности, когда поступление воды через пенопластовые кубики частично заблокировано. Однако по мере дальнейшего загрязнения производительность фильтра снижается, поскольку сквозь пенопластовые кубики может проходить меньший объем воды. В таком случае необходима очистка.

- 6.1 Отключите насос от электросети.
- 6.2 Подключите шланг подходящей длины к отверстию для отвода грязной воды (рис. 10 (iii)) с помощью прилагаемого штуцера и хомута. Конец шланга отвода загрязненной воды можно установить над сточным отверстием или клумбой. Такая вода служит замечательным удобрением.
- 6.3 Поверните ручку несколько раз. Рекомендуется сделать несколько оборотов как по часовой стрелке, так и против (рис. 13). При повороте ручки будут поворачиваться лопасти очистки (желтого цвета, рис. 2 (g)), разъединяя и сжимая пенопластовые кубики и устраняя таким образом накопившиеся отложения.
- 6.4 Поверните отводной вентиль в положение отвода загрязненной воды (рис. 14). Вы услышите щелчок.
- 6.5 Включите насос.
- 6.6 Продолжайте поворачивать ручку (полные обороты в обе стороны). Вначале сточная вода будет насыщенного зеленого или коричневого цвета, в зависимости от расположения пруда. Через какое-то время цвет сточной воды станет уже не таким насыщенным, вода станет прозрачной. На этом этапе прекратите поворачивать ручку и сложите ее в компактное положение над верхней крышкой корпуса (рис. 15).

Дайте воде стечь еще 5 секунд и поверните отводной вентиль назад в положение возврата воды в пруд.

ВНИМАНИЕ! Если оставить отводной вентиль в положении отвода загрязненной воды, это может привести к откачиванию воды из пруда. Обязательно переключите его назад в положение возврата воды в пруд.

- 6.7 Время, необходимое для очистки фильтра, зависит от ряда факторов, но чем чаще чистить фильтр, тем меньше понадобится времени на каждую очистку. Как правило, очистка занимает несколько минут. Время от времени понадобится доливать воду в пруд, чтобы заменить сточную воду, слитую при очистке. Частичная замена воды является важным аспектом поддержания здоровой водной системы пруда.

Техническое обслуживание

Внимание! Перед открытием устройства прочтите данные указания по техническому обслуживанию.

Внимание! Не пытайтесь снять крышку или коробку электрооборудования во время работы насоса и фильтра. Чтобы избежать случайного открытия, в зажиме крышки предусмотрено отверстие для

навесного замка. Рекомендуется использовать его там, где есть дети.

7.1 Замена лампы УФ.

Внимание! Прежде чем отключать источник ультрафиолетовых лучей спектра С, устройство должно быть отключено от электропитания.

Со временем эффективность лампы ультрафиолетового излучения значительно снижается, потому следует заменять лампу раз в год, даже если она все еще находится в рабочем состоянии.

- 7.1.1 Отключите насос подачи воды и фильтр.
- 7.1.2 Поверните отводной вентиль в положение отвода загрязненной воды. Это позволит уравнивать внутреннее давление с атмосферным, а также легко снять коробку электрооборудования, не проливая воду на верхнюю часть крышки.
- 7.1.3 Поверните ручку очистки на пол-оборота, чтобы она не мешала снять крышку (рис. 16 (i)).
- 7.1.4 С помощью отвертки открутите 5 винтов, которыми коробка электрооборудования крепится к крышке (рис. 16 (ii)). Для хранения винтов во время смены лампы между входным и выходным отверстием фильтра предусмотрен специальный карман (рис. 16 (iii)).
- 7.1.5 Возьмите коробку электрооборудования, аккуратно приподнимите и снимите ее. Переверните коробку и поставьте ее на сухую горизонтальную поверхность.
- 7.1.6 Рис. 17. Открутите шайбу-фиксатор кварцевой трубки (i). Аккуратно возьмите кварцевую трубку (ii), приподнимите ее и выньте вместе с уплотнительными кольцами (iii) и шайбой-фиксатором.
- 7.1.7 Снимите старую лампу, аккуратно вынув ее из патрона, и снимите черный защитный колпачок с торца лампы (рис. 17 (iv)). Затем выньте отражатель (рис. 17 (v)). Утилизируйте старую лампу согласно нормам местного законодательства и установите новую.
- 7.1.8 Установите отражатель и наденьте черный колпачок на торец лампы.
- 7.1.9 Наденьте на лампу кварцевую трубку. Убедитесь, что два уплотнительных кольца у основания лампы очищены от загрязнений.
- 7.1.10 Наденьте шайбу-фиксатор на кварцевую трубку и завинтите ее. Завинчивайте шайбу до упора, пока ограничитель на шайбе не упрется в ограничитель на корпусе.
- 7.1.11 Установите на место коробку электрооборудования. Коробку можно установить только в одном положении, поэтому не следует применять чрезмерную силу. Установив коробку в нужном положении, закрутите 5 винтов. Необходимо закрутить винты до конца, чтобы включился переключатель блокировки.
- 7.1.12 Поверните отводной вентиль назад в положение возврата воды в пруд и сложите ручку очистки в компактное положение.
- 7.1.13 Сначала включите насос, чтобы проверить, нет ли утечки, а затем включите лампу ультрафиолетового

излучения. Проверьте, горит ли синий индикатор УФ.

7.2 Уход за кварцевой трубкой УФ.

В регионах с жесткой водой поверхность кварцевой трубки, закрывающей лампу ультрафиолетового излучения, может покрываться известковыми отложениями. Если допустить скопление таких отложений, эффективность устройства снизится. Для очистки отключите насос и питание источника ультрафиолетового излучения, снимите коробку электрооборудования, как описано в пункте 7.1, и протрите кварцевую трубку тканью, смоченной в мягком чистящем средстве, например, в уксусе (см. рис. 18). Во время очистки кварцевой трубки следует надевать защитную одежду, например, защитные очки и перчатки.

7.3 Замена пенопластовых кубиков Cypricube.

Проверку пенопластовых кубиков следует проводить ежегодно. Частота замены пенопластовых кубиков зависит от состояния пруда. Рекомендуется проводить замену пенопластовых кубиков зимой и в начале весны перед возобновлением кормления рыбы*. Замена пенопластовых кубиков в любое другое время года может привести к изменению химического состава пруда, а это может негативно отразиться на состоянии рыбы.

*С охлаждением воды в пруду осенью активность рыбы падает и она готовится к спячке. Пищеварительная и иммунная системы рыб работают медленнее и они не могут переваривать такую же пищу, как в период теплых месяцев. Когда они будут голодны, они перейдут на питание более простой пищей, которая присутствует в естественной среде пруда. Потому когда температура воды в пруду падает ниже 10 °C на длительный период времени, следует прекратить кормить рыбу. С наступлением потепления в начале весны рыба становится более активной и можно вновь постепенно начинать кормежку.

- 7.3.1 Отключите насос подачи воды и фильтр.
- 7.3.2 Поверните отводной вентиль в положение отвода загрязненной воды. Это позволит уравнивать внутреннее давление с атмосферным, а также легко снять крышку.
- 7.3.3 Откройте зажим крышки (рис. 2 (n)). Аккуратно снимите крышку, вставив 2 рычага в отверстия с противоположных сторон (рис. 19). Это может быть удобнее сделать, если снять шланги.
- 7.3.4 Приподнимите и снимите корзину с пенопластовыми кубиками (рис. 2(i)) и удалите старые кубики. Вылейте воду из камеры фильтра, собрав биоматериал в сачок. Биоматериал не нуждается в каком-либо уходе.
- 7.3.5 Если дно камеры покрыто слоем отложений, промойте его водой из пруда.
- 7.3.6 Верните биоматериал на место: расположите его вокруг воронки биоматериала (рис. 2 (o)) на дне камеры. Внутри воронки биоматериала быть не должно (рис. 20).
- 7.3.7 Поставьте корзину пенопластовых кубиков в камеру. Поворачивайте корзину пенопластовых кубиков до тех пор, пока маленькие треугольники

в верхней части корзины не уравниваются с одной из вертикальных линий на внутренней стороне камеры фильтра (рис. 21). Корзина пенопластовых кубиков встанет на место. **Убедитесь, что корзина пенопластовых кубиков установлена правильно, чтобы можно было легко накрыть ее крышкой.**

- 7.3.8** Заполните корзину пенопластовых кубиков рекомендуемым количеством новых кубиков Surgicube. Новые сухие кубики будут занимать немного больше места, это нормально. Убедитесь, что кубики не падают в воронку биоматериала сквозь центральное отверстие.

Запрещается утрамбовывать кубики, чтобы их уместилось больше. Сухие пенопластовые кубики должны свободно заполнять корзину и не выступать за края камеры фильтра (рис. 22). Чрезмерное количество пенопластовых кубиков усложнит очистку фильтра.

- 7.3.9** Убедитесь, что уплотнение (рис. 2 (I)) в верхней части камеры фильтра установлено должным образом и очищено от грязи и растений. При необходимости для простоты установки нанесите на уплотнение небольшое количество силиконовой смазки. Установите крышку. Опустите центральную черную трубку, закрывающую лампу ультрафиолетового излучения, сквозь центральное отверстие.

- 7.3.10** Установите зажим крышки. Убедитесь, что под лентой зажима не скапливается вода. Смазывайте шарнир смазочным маслом.

- 7.3.11** Поверните отводной вентиль назад в положение возврата воды в пруд и сложите ручку очистки в компактное положение.

- 7.3.12** Сначала включите насос, чтобы проверить, нет ли утечки. Затем включите лампу ультрафиолетового излучения. Проверьте, горит ли синий индикатор УФ.

Устранение неисправностей / часто задаваемые вопросы

Проблема	Возможная причина	Решение
Вода не поступает в пруд через фильтр.	Насос подачи воды выключен или не работает.	Проверьте, включен ли насос и работает ли он.
	Забит шланг подачи воды.	Проверьте шланги подачи воды и возврата воды в пруд на предмет засорений.
	Отводной вентиль установлен в положение «Грязная вода»	Поверните отводной вентиль в положение «Пруд»
Недостаточный поток воды сквозь фильтр	Пенопластовые кубики засорены.	Очистите фильтр (см. раздел «Очистка»).
	Забит шланг подачи воды.	Проверьте шланги подачи воды и возврата воды в пруд на предмет засорений.

Хранение в зимний период

- 8.1** В холодную зимнюю погоду (когда снижается активность рыбы и прекращается рост водорослей) устройство можно отключить. В таком случае его следует убрать с места установки, тщательно промыть, очистить, высушить и хранить в сухом, защищенном от мороза месте. Хранить устройство необходимо с открытой крышкой, чтобы обеспечить достаточную вентиляцию и просушку.

Проблема	Возможная причина	Решение
Вода не очищается	Биоматериал нового фильтра еще не созрел.	Вода начнет становиться чище в течение 2-3 недель, однако для полного созревания биоматериала необходимо 6-8 недель. После этого фильтр будет работать с максимальной эффективностью.
	Неправильно подобранный размер фильтра для вашего пруда.	Проверьте, используется ли подходящий для вашего пруда фильтр.
	Неправильная мощность насоса подачи воды.	Проверьте подачу насоса. См. пункт 2.2.
	Перегорела лампа УФ.	Проверьте индикатор УФ. Замените лампу УФ.
	Старая лампа УФ.	Заменяйте лампу ультрафиолетового излучения раз в год.
	Необходимо очистить пенопластовые кубики.	Очистите фильтр (см. раздел «Очистка»).
	Выходное отверстие шланга возврата воды в пруд расположено выше насоса подачи.	Переместите насос или шланг возврата воды в пруд таким образом, чтобы они были расположены на максимальном удалении друг от друга.
	Пруд переполнен рыбой.	Уменьшите количество рыбы в пруду.
	Перекармливание.	Давайте рыбам столько корма, сколько они могут съесть в течение нескольких минут. Кормите рыб не чаще раза в день.
Не поворачивается ручка для очистки.	В начале очистки работает насос. Отключите насос. Несколько раз прокрутите ручку в обе стороны. Включите насос (см. раздел «Очистка»).	

Гарантия чистой воды Hozelock Cyprio

МЫ ГАРАНТИРУЕМ ВАМ КАЧЕСТВЕННУЮ ОЧИСТКУ ВОДЫ с фильтром Hozelock Cyprio Bioforce Revolution при использовании подходящего насоса. В противном случае МЫ ВЕРНЕМ ВАМ ВАШИ ДЕНЬГИ. Данная гарантия действует в течение 12 месяцев с момента покупки при условии соблюдения следующих требований

- Вы следовали инструкции по установке и эксплуатации.
- Вы используете оборудование надлежащего размера в соответствии с рекомендациями Hozelock Cyprio по выбору размера оборудования.
- Вы своевременно обратились в службу поддержки по телефону горячей линии (0121 313 1122) для решения возникших проблем.
- Устройство было возвращено без повреждений.

Возврат средств производится только в размере стоимости приобретения только фильтра без дополнительных принадлежностей после утверждения компанией Hozelock Cyprio и только в месте приобретения товара. При этом необходимо помнить, что гарантия чистой воды распространяется на случаи помутнения воды в результате загрязнения пруда зелеными водорослями, однако не распространяется на случаи загрязнения пруда тиной.

Двухлетняя гарантия Hozelock Cyprio

В случае неисправности настоящего изделия Bioforce Revolution (за исключением лампы) в течение 2 лет с даты приобретения производитель обязуется произвести на свое усмотрение ремонт или замену изделия, за исключением случаев, когда производитель признает изделие поврежденным. Производитель не несет ответственности за повреждение изделия в результате несчастных случаев, неправильной установки или ненадлежащего использования. Ответственность производителя ограничивается заменой неисправного изделия. Данная гарантия не может быть передана третьей стороне. Условия гарантии не распространяются на ваши законные права. Чтобы воспользоваться преимуществами этой гарантии, прежде всего обратитесь в службу поддержки клиентов компании Hozelock Cyprio (тел.: 0121 313 1122), представители которой могут попросить вас прислать устройство вместе с документами, подтверждающими покупку, непосредственно по указанному далее адресу.

Контактная информация и запасные детали

www.hozelock.com

Техническая информация

Номер детали	1352	1353	1354
Линейка	Bioforce Revolution		
Вольт (В)	230V 50Hz		
Мощность источника УФ (Вт)	18	24	36
Максимальный размер пруда с рыбой	6000 л (1320 галлонов)	9000 л (1980 галлонов)	14 000 л (3080 галлонов)

Номер детали	1352	1353	1354
Максимальный размер пруда без рыбы	12 000 л (2640 галлонов)	18 000 л (3960 галлонов)	28 000 л (6160 галлонов)
Максимальная производительность насоса HozeLOCK Cyprio Aquaforce (литров в час)	4000	6000	8000
Макс. ток воды, QMax, (литров в час)	3000	4500	7000
Класс защиты	IP57	IP57	IP57
Максимальная температура воды Tmax, (°C)	35°C	35°C	35°C
Система очистки Bioforce Revolution	✓	✓	✓

* Измерения в контролируемых условиях

EST

Täname, et valisite HozeLOCKi kvaliteetse toote, mille töökindluses võite kindel olla.

- a** Elektrikarp.
- b** Kaanekoost.
- c** UV-lambi indikaatorlääts.
- d** Puhastusvända nupp.
- e** Puhastusvänt.
- f** Pöördklapp.
- g** Puhastuspulgad (kollased).
- h** UV-kate.
- i** Vahtmaterjali nõu.
- j** Vahtmaterjal Cypricube.
- k** Biomaterjal.
- l** Anuma rõngastihend.
- m** Filtrianum.
- n** Kaaneklamber.
- o** Bio-toru.
- p** Vooliku liitmik ja mutter.
- q** Kang.

PAIGALDUS- JA KASUTUSJUHEND.



ENNE PAIGALDAMIST LUGEGE NEED JUHISED TÄHELEPANELKULT LÄBI.

JUHISTE EIRAMINE VÕIB PÕHJUSTADA VIGASTUSI, TOOTE KAHJUSTUSI VÕI KALADE KADU.

HOIDKE SEE JUHEND TULEVIKU TARBEKS ALLES.

HozeLOCK Cyprio Bioforce Revolution on uus kontseptsioon aiatiikide lihtsasti hooldatavaks vee filtreerimiseks.

See on:

- kompaktne ja tõhus
- lihtsasti paigaldatav
- kerge vaevaga puhastatav ja hooldatav
- praktiliselt kõikjale sobiv

Sobiva tiigipumbaga kasutades suurendab see vee selgust, eemaldab tiigist soovimatud tahked osakesed ja muudab lahustunud orgaanilised ning keemilised kalajäätmed kahjututeks ühenditeks.

Tähelepanu: UV-hoiatus

Seade sisaldab UVC-kiirgurit. Seadme mitteshipärane kasutamine või kahjustatud korpus võivad põhjustada ohtliku UVC-kiirguse välja pääsemist. UVC-kiirgus võib isegi väikestes kogustes kahjustada silmi ja nahka. Lambil on blokeerimisseade, mis lülitab lambi elektrikarbi avamisel välja.

Sisselülitatud lambi töötamise kontrollimiseks vaadake, kas UV-indikaatorlääts taga paistab sinakat kuma. Ärge käituge toodet kuival.

Hoiatus. Ärge kasutage UVC-kiirgurit, kui see on seadme korpusest eemaldatud.



Запрещается выбрасывать электрооборудование вместе с несортированными бытовыми отходами. Обязательно использовать услуги служб раздельного сбора мусора. Сведения о службах утилизации отходов спрашивайте в местных органах власти. При утилизации электрооборудования на открытых мусорных свалках опасные вещества могут проникать в грунтовые воды и наносить ущерб здоровью и благополучию людей. В странах Евросоюза при замене старых электроприборов новыми законодательство обязывает предприятия розничной торговли принимать старые электроприборы у покупателей для утилизации, не взимая за это дополнительную плату.

Oluline

Seadet ei tohi kasutada füüsilise, sensoorse või vaimse puudega isikud (sh lapsed) ega vähese kogemuse või teadmisteta isikud, kui neid ei juhenda või ei õpeta seadet kasutama nende turvalisuse eest vastutav isik. Tuleb jälgida, et lapsed ei mängiks seadmega. Kui seade on selgelt kahjustatud, ei tohi seda kasutada.

Hoiatus. Ohutus ja elektriühendused

- 1.1 HOIATUS. ÜHENDAGE ALATI KÕIK TIIGIS OLEVAD SEADMED ELEKTRITOITEST LAHTI ENNE KÄTE TIIKI PANEMIST SEADMETE PAIGALDAMISEL, REMONTIMISEL, HOOLDAMISEL VÕI KÄSITSEMISEL.**
- 1.2** See filter on mõeldud kasutamiseks vaid aiatiikides. Ärge kasutage seda filtrit muudel eesmärkidel (näiteks basseinides). Toote kasutamine muudel eesmärkidel võib põhjustada vigastusi või kahjustada toodet.
- 1.3** Selgelt kahjustatud seadmeid ei tohi kasutada.
- 1.4** Seadmes olev läbipaistev toru on kvartsklaasist ja selle paigaldamisel ning hooldamisel tuleb olla ettevaatlik. Soovitame kasutada silmakaitseid ja sobivaid kindaid.
- 1.5** Bioforce Revolutioni filter on ilmastikukindl, aga see ei ole mõeldud veealuseks kasutamiseks. Paigutage seade püsti tiigi lähedale, aga mitte paika, kus see võib vette kukkuda või kus maapind võib vett koguda (vt jaotist „Paigaldamine”).
- 1.6 Oluline.** Tootel on 5 m 3-juhtmeline elektrikaabel. Tootega kaasasolev pistik ei ole veekindel ja see tuleb vooluvõrguga ühendada kuivas ilmastikukindlas kaitsekestas vastavalt kohalikele määrustele.
- 1.7 HOIATUS.** See seade PEAB olema maandatud ja ühendused tuleb teha järgmisel viisil:
 - PRUUN: faas
 - SININE: neutraal
 - ROHELINE/KOLLANE: maandus
- 1.8** Kaabliteed tuleb paigutada mõistlikult ja kaitsta armeeritud toruga, eriti kohtades, kus need võivad kokku puutuda aiaseadmete (aiahargid, muruniidukid) laste või koduloomadega.
- 1.9** Maksimaalselt 30 mA jääkvoolukaitse PEAB olema paigaldatud vooluvõrgule.
- 1.10** Püsiv ühendus vooluvõrguga peab vastama riiklikele ja kohalikele elektripaigaldistele kehtivatele määrustele. Kui teil tekib vooluvõrguga ühendamisel kahtlusi, siis pöörduge kvalifitseeritud elektriku või kohaliku elektritöötaja poole.
- 1.11** Ärge kunagi tõstke või liigutage filtrit elektrikaablit või puhastusvanta kasutades, sest nii võite tekitada kahjustusi. Kui filtrit on vaja liigutada, siis tuleb seade esmalt välja lülitada ja veest tühjendada. Seejärel tõstke seadet kaane ja anuma ühenduskohast kinni võttes.
- 1.12** Ärge kunagi istuge või toetuge puhastusvandale! (Joon. 4.)

- 1.13** Ärge kunagi tõstke filtrit puhastusvandest. Kandke seadet alati kahe käega tugevalt kaane servast kinni hoides (joon. 5).
- 1.14** No maneje el filtro sin agua.
- 1.15** No obstruya las bocas de salida cuando el filtro se esté utilizando.
- 1.16** Ärge kasutage seadet, kui toitekaabel on mingil viisil kahjustada saanud. Toitekaablit ei saa asendada. Kui kaabel on kahjustatud, siis tuleb elektrikarp kasutusel kõrvaldada vastavalt kohalikele määrustele.
- 1.17** Kaitske külma eest, kui seda pole ette nähtud aastaringseks kasutamiseks. (Vt jaotist „Talvine hooldus“.)
- 1.18** Kaitske filtrit otsese päikesevalguse eest.
- 1.19** See seade ei sobi kasutamiseks vees, mille temperatuur on üle 35 °C või alla 0 °C.
- 1.20** Kasutage vaid tarvikuid, mis on mõeldud selle seadmega kasutamiseks. Muude tarvikute või varuosade kasutamine võib garantii tühistada.

Üldised juhtnöörid

- 2.1** Tehnilise teabe tabel annab filtri ja soovitatava pumba kohta üldisi juhtnööre. Kuid parimate tulemuste saavutamiseks tuleks arvesse võtta ka mitmeid muid tingimuslikke tegureid, kuna need vähendavad filtri suutlikkust.
 - **Tiigi sügavus.** Hozelock Cypro soovitatavaks minimaalseks sügavuseks on 1,2 m (4 jalga) karpkalaatiikide puhul. Tiigi puhul, mille keskmine sügavus on vähem kui 0,75 m (2 jalga ja 6 tolli), on tingimuslik tegur +25%. Madalates tiikides pääseb päikesevalgus põhjani ja need soojenevad kiiresti. See soodustab vetikate kasvu.
 - **Asukoht.** Tiigi asukoht määrab, kui palju päikesevalgust või varju tiik päeva jooksul saab. Tiikidel, mis on kogu päeva jooksul avatud päikesevalgusele, on tingimuslik tegur +25%.
 - **Kliima.** Kliima mõjutab vee temperatuuri ja kalade aktiivsuse määra / söötmisvajadusi. Mida aktiivsemad kalad, seda suuremad nõudmised filtreerimissüsteemile. Palavas kliimas (nagu Lõuna-Aafrikas) on tingimuslik teguriks +35%. Parajas kliimas (nagu Lõuna-Euroopas) on tingimuslik teguriks +15%. Põhja-Euroopa kliimas (nagu enamik Suur-Britannia piirkondi) on tingimuslik teguriks +0%.
- 2.2** **Voolukiirus.** Parimate tulemuste saavutamiseks peaks tiigi maht läbima Bioforce Revolutioni iga 1,5–2,5 tunni järele, kusjuures suurimat voolukiirust soovitatakse karpkalaatiikidele. Ärge ületage tehniliste teabe tabelis toodud maksimaalset voolukiirust. Selge vee saamiseks on õige voolukiirus väga oluline. Kui teie paigaldatud seadmel ei esine suuri kadusid (nt pikki voolikuid), siis võib 1,5–2,5 h ringluse saavutamiseks olla vajalik kasutada voolu reguleerimise voolikukraani.

Väikese diameetriga voolikud, tarbetult pikad voolikud ja pumba suur tõstekõrgus võivad oluliselt vähendada pumba võimsust. Soovitame valida pumba, mis suudab pakkuda vajalikku voolu kogu staatilise tõstekõrguse suhtes (= vertikaalne kaugus tiigi pinnast filtri sisendini), pluss 0,6 m (2 jalga) hõõrdekadudele voolikutes.

Filtreerimise eesmärk on kanda jäätmematerjal tiigist filtrisse ja seega peaks iga komplektis kasutatav pump saama hakkama tahkete osakeste käsitsemistega — näiteks Hozelock Cypro tootevaliku Aquaforce pumbad, mis on mõeldud just Bioforce Revolutiooni kaetavasse suurusvahemikku jäävatele tiikidele. Pump tuleb paigutada tiigi sügavamaisse kohta, et tagada parim veeringlus tiigis ja maksimeerida tahkete osakeste käsitsemise võime. Pump tulebpaigaldada tasasele horisontaalsele platvormile, mis on tiigi põhjast 300 mm kõrgemal. Nii ei ime pump otse tiigi põhjast saasta ja samuti tagatakse piisava vee jäämine tiiki, juhul kui peaks esinema tiigivee tahtmatut lekkimist.

Voolukiiruse teada saamine. Võtke teadaoleva mahuga nõu ja mõõtk selle täitumiseks kuluvat aega (sekundites). Seejärel jagage nõu täitumiseks kulunud sekundite arv 3600-ga ja korrutage nõu mahuga (liitrites või gallonites). Tulemuseks on voolukiirus liitrit või gallonit tunnis (l/h või gal/h).

- 2.3 Kalade asustustihedus.** Tavatingimustel ja -söötmissüsteemil toetab Bioforce Revolutiooni tootevalik kuni 50 cm 1000 liitri (10 tolli kalu 100 galloni) tiigi mahu kohta. Esimestel nädalatel lisage kalu aeglaselt, kuni 20% maksimaalsest soovitatud tasemest, suurendades seda soovi korral 50%-ni pärast kuut kuud. Ülejäänud mahu saavad kalad kasada.
- 2.4 Tiigi ravikuurid.** Mõned ravimid/ravikuurid võivad UVC-kiirguse käes väga kiiresti toime kaotada. Haiguste ravimisel võite filtri välja lülitada. Mehaaniline ja bioloogiline filter jäävad tööle.

Si está aplicando un tratamiento para eliminar las algas pelo de su estanque, apague la bomba y el filtro durante el tratamiento hasta que las algas pelo tratadas hayan sido retiradas del estanque.

- 2.5** Eriti tähelepanelik peaks olema voolikuühendustega, kuna lekete korral jääb vähem vett tiiki.

Paigaldamine

- 3.1 Oluline.** Ärge kasutage Bioforce Revolutiooni filtrite tootevalikuga pumba, mille voolukiirus on suurem kui 8000 l/h või maksimaalne tõstekõrgus on suurem kui 5 m.
- 3.2 Oluline.** Bioforce Revolutiooni filtreid tohib paigaldada vaid vertikaalses asendis (joon. 6).
- 3.3** Bioforce Revolutiooni filtrid on pumbatoite, survestatud välise filtri ja UVC-kiirguri seadmed, mis sobivad maapinnale (joon. 7) või maa sisse (joon. 8) paigaldatult tiigi kõrvale või jao otsa peidetult.

Kui paigaldate filtri maapinnale, siis asetage see tasasele horisontaalsele pinnale.

Kui paigaldate filtri osaliselt maa sisse, siis tuleks süvend seadme toetamiseks täita tihendatud liivaga. Kui valite sellise paigaldusviisi, siis jätkake klambri ja maapinna vahele vähemalt 50 mm vahe, et saaksite

seada iga-aastaselt hooldusel hõlpsasti eemaldada.

- 3.4** Väikese avaga voolikute kasutamine toob kaasa veevoolu ülemäärase piiramise. Mida suurem on kasutatava vooliku diameeter, seda parem on filtri jõudlus — eriti pikkade voolikute puhul. Seadmega kaasasolevatele voolikuliitmikele sobivad 25 mm (1 toll), 32 mm (1,25 tolli) ja 40 mm (1,75 tolli) Cypriflexi voolikud. Bioforce Revolutiooni filtrite puhul soovitage alati kasutada 40 mm diameetriga voolikuid, et vältida veevoolu piiramist.

Kui olete vooliku diameetri välja valinud, siis lõigake voolikuliitmikult ära vooliku diameetrist väikesemad järgud, et likvideerida piirangud (joon. 9).

Cypriflexi voolikut soetades, mõõtes ja lõigates pidage meeles, et filtrit toitev pump ning tagasivoolu vooliku väljalase peaksid optimaalse veeringluse tagamiseks olema teineteisest võimalikult kaugel.

Kinnitage toitepumba ja filtri sisselaske (joon. 10 (i)) vahele sobiva pikkusega voolik, kasutades vooliku kinnitamiseks liitmiku külge Hozelock Cypro voolikuklambrit, mida müüakse eraldi. Seejärel kinnitage sobiva pikkusega voolik samal viisil filtri väljalaske (joon. 10 (ii)) külge. Üksikasju jättemete väljalaske (joon. 10 (iii)) kohta vt jaotisest „Puhastamine“.

Asetage pump tiiki sobilikku kohta ja paigutage väljalasevooliku ots nii, et filtreeritud vesi voolaks tagasi tiiki.

Voolikute paigutamisel vältige väändeid ja järse paindeid. Juhtige voolikuid võimalikult otse, et vältida voolu piiramist.

- 3.5** Jälgi, et vänt oleks paigutatud üle elektritarbi. Võtke vända nupp ja kate ning ühendage puhastusvända külge ja lõpsake see paika (joon. 11).

Filter on nüüd kasutusvalmis.

Kasutamine

- 4.1** **Veenduge, et pöörklapp oleks keeratud tiiki suunduva väljalaske asendisse (joon. 12).**
- 4.2** Ühendage filtri toitejuhe (vt 1. jaotist „Ohutus ja elektriühendus“). Nii liitub UVC-lamp sisse. Lambi töötamise kontrollimiseks vaadake, kas korpusel oleva UV-lambi indikaatorlääts taga paistab sinine kuma (joon 1 (c)).
- 4.3** Lülitage pump sisse.
- 4.4** **Kasutusperioodid.** Laske filtril töötada 24 tundi ööpäeva. See võiks töötada aastaringelt, aga peaks töötama vähemalt söötmissperioodi jooksul (st kui vee temperatuur langeb alla 10 °C). Talvel hoiab pumba ja filtri kasutamine Bioforce'is põhitasemel kasulikke baktereid ning aitab vältida tiigi jäätumist. Kui lülitate pumba talveks välja, siis peske filtrit põhjalikult enne kevadel filtreerimise jätkamist (vt „Hoiustamine talvel“, 11.0). Ärge kunagi toitke kalu, kui filter ei ole kasutusel.

Küpsemine

- 5.1** Bioloogiline maturatsioon tähendab seda, et filter on kogunud piisavalt nitrifitseerivaid baktereid, et muuta kahjulikud kala- ja muud orgaanilised jäätmed (nagu ammoniaak, nitrit) suhteliselt kahjutuks nitraadiks. Protsessile kulub harilikult 6–8 nädalat, aga see sõltub paljudest teguritest, nagu vee temperatuur,

söötmissagedus ja asustustihedus. Maturatsiooni kiirendamiseks kasutage vastavat vahendit, näiteks Hozelock Cyprio Filter Starti.

Puhastamine

Kui sagedasti Bioforce Revolutionit tuleks puhastada?

Bioforce Revolutioni filtrid pakuvad maksimaalset jõudlust minimaalse hooldusega. Kui tiik on väga sogane, siis võib filtri puhastamine olla alguses vajalik iga paari päeva järel, kuna see kogub jäätmematerjali väga kiiresti. Kui tiik muutub selgemaks ja eemaldatavaid jäätmeid jääb vähemaks, siis ei ole vaja filtrit nii tihti puhastada. Survestatud filtrit on kõige tõhusamad, kui vahtmaterjal muutub osaliselt läbipääsmatuks. Aga ummistuse suurenedes väheneb voolukiirus, kuna vähem vett voolab läbi vahtmaterjali, ja puhastamine muutub vajalikuks.

- 6.1 Ühendage pump vooluvõrgust lahti.
- 6.2 Ühendage jäätmete väljalaske (joon. 10 (iii)) külge sobiva pikkusega voolik, kasutades voolikuliitmikku ja voolikuklambrit. Jäätmevooliku otsa võite asetada äravoolu või lillepeenra kohale. Jäätmevesi on väga hea väetis.
- 6.3 Keerake vânta mitu korda ringi. Soovitame mitmeid täisringe nii päri- kui ka vastupäeva keerates (joon. 13). Vânta keerates käivad kollased puhastustesrad (joon. 2 (g)) ringi, eraldades vahtkuubi kiud üksteisest ning litsudes neid, nii et vallandub kogutud praht.
- 6.4 Keerake pöördklapp jäätmete väljalaske asendisse (joon. 14). Kuulete klõpsu.
- 6.5 Lülitage pump sisse.
- 6.6 Jätkake vânta keeramist (täisringid mõlemas suunas). Alguses on jäätmevesi intensiivselt roheline või pruun, olenevalt tiigist.
Peatselt tuhmub jäätmevee värv intensiivsus ja vesi hakkab selginema. Sel hetkel lõpetage keeramine ja viige vânt tagasi hoiuasendisse korpuse kohal (joon. 15).

Oodake viis sekundit, kuni viimased jäätmeraasud väljuvad ja keerake pöördklapp tagasi tiiki suunatud väljalaskele.

HOIATUS. Klapi jätmisel jäätmete väljalaske asendisse jookseb tiik tühjaks. Veenduge, et see on lülitatud tagasi tiiki suunatud väljalaskele.

- 6.7 Filtri puhastamisele kuluv aeg sõltub mitmest tegurist, aga mida regulaarsemalt te filtrit puhastate, seda vähem kulub sellele aega. Tavaliselt kulub puhastamisele mõni minut.
Aeg-ajalt tuleb tiiki vett lisada, et asendada puhastamisel eemaldatud jäätmevesi. Osalisel veevahetused on oluliseks osaks tiigi veesüsteemi hea tervise hoidmisel.

Hooldus

Hoiatus. Enne seadme lahti võtmist lugege need hooldusjuhised läbi.

Hoiatus. Ärge eemaldage kaant ega elektrikarpi, kui pump ja filter töötavad. Kaanteklambris on tahtmatu lahti võtmise vältimiseks ava tabalukule; soovitage seda kasutada, kui laste kohalolu on tõenäoline.

7.1 UV-lambi vahetamine

Hoiatus. Enne UVC-kiirguri eemaldamist peab seade olema vooluvõrgust lahti ühendatud.

UV-lambi tõhusus kahaneb aja jooksul oluliselt, seega tuleb lamp välja vahetada iga 12 kuu tagant, isegi siis, kui see töötab.

- 7.1.1 Lülitage välja toitepumba ja filtri elektritoide.
 - 7.1.2 Keerake pöördklapp jäätmete väljalaske asendisse. Nii ühtlustub siserõhk õhurõhuga ja te saate hõlpsasti elektrikarbi eemaldada, ilma et vett tõmmataks kaane ülalpinnale.
 - 7.1.3 Keerake puhastusvânta pool ringi, et see ei oleks elektrikarbil ees (joon. 16 (i)).
 - 7.1.4 Keerake kruvikeerajaga lahti viis kruvi, mis hoiavad elektrikarpi kaane küljes. (Joon. 16 (ii).) Filtri sisselaske ja väljalaske vahel on koht, kus saate kruvisid lambi vahetamise ajal hoida (joon. 16 (iii)).
 - 7.1.5 Võtke elektrikarbi kinni ja tõmmake seda eemaldamiseks õrnalt üles. Keerake karp tagurpidi ja asetage kuivale tasasele pinnale.
 - 7.1.6 Joon. 17. Keerake lahti kvartstoru lukustuskrae (i). Hoidke kvartstoru (ii) õrnalt, tõstke üles ja eemaldage koos o-rõngaste (iii) ja lukustuskraega.
 - 7.1.7 Eemaldage vana lamp, tõmmates seda õrnalt hoidikust välja, ja eemaldage lambi otsast must kaitsekork (joon. 17 (iv)) ning eemaldage reflektorplaat (joon. 17 (v)). Kõrvaldage vana lamp kohalikele määrustele vastavalt kasutuselt ja paigaldage uus lamp.
 - 7.1.8 Paigaldage tagasi reflektorplaat ja pange lambi otsa must kork.
 - 7.1.9 Libistage kvartstoru lambile peale. Veenduge, et kaks o-rõngast kvartstoru põhja juures oleksid puhtad ja prahivabad.
 - 7.1.10 Tõmmake lukustuskrae kvartstorule peale ja keerake kinni. Seda tuleb keerata kinni seni, kuni lukustuskrae ots puutub kokku korpuse otsaga ja kraed ei saa enam rohkem keerata.
 - 7.1.11 Paigaldage tagasi elektrikarp. Karpi saab paigaldada vaid ühes asendis; ärge seda jõuga alla suruge. Kui see on paigas, keerake kinni viis kruvi. Kruvid tuleb lõpuni kinni keerata, et tagada blokeerimislüliti aktiveerimine.
 - 7.1.12 Keerake pöördklapp tagasi tiiki suunatud väljalaske asendisse ja seadke vânt hoiuasendisse.
 - 7.1.13 Käivitage esmalt pump ja kontrollige, kas esineb lekkeid, seejärel lülitage sisse UV-lamp. Vaadake, kas UV-indikaatorlääte taga paistab sinakas kuma.
- ## 7.2 UV-kvartstoru hooldus
- UVC-lampi ümbritsev kvartstoru võib kattuda katlakiviga, eriti kareda veega piirkondades. Katlakivi kogunedes väheneb seadme tõhusus. Puhastamiseks lülitage välja pump ja UV-lambi toide, eemaldage elektrikarp, nagu kirjeldatud punktis 7.1, ja pühkige kvartstoru pehme riidelapiga, mis on immutatud nõrga toimega puhastusvahendiga, nagu äädikas (vt joon. 18). Kvartstoru puhastamisel tuleb kasutada kaitsevahendeid, nagu prille ja kindaid.
- 7.3 **Vahtmaterjali Cypricube vahetamine**
Kontrollige vahtmaterjali kord aastas. Vahtmaterjali vahetamise sagedus sõltub tiigi tingimustest. Soovitame vahtmaterjali vahetada talvel või kevade

alguses, enne kui hakkate kalu uuesti söötma*.
Vahtmaterjali vahetamine muudel aastaaegadel võib mõjutada tiigi keemiat ja teha kaladele halba.

*Sügisel tiigivee jahtudes aeglustuvad kalade süsteemid, valmistudes ette pool-puhkeperioodiks. Nende seede- ja immuunsüsteemid aeglustuvad ning nad ei ole võimelised seedima samu liike toitu, millest nad toitusid soojematel kuudel. Nälja korral toituvad nad lihtsamast toidust, mida esineb tiigi keskkonnas loomulikult. Seega kui tiigi veetemperatuur langeb pikemaks ajaks alla 10 °C, siis tuleb kalade söötmine lõpetada. Kui kevadel ilm soojemaks läheb ja kalad muutuvad aktiivsemaks, võite järk-järgult kalu uuesti söötma hakata.

- 7.3.1** Lülitage välja toitepumba ja filtri elektroide.
- 7.3.2** Keerake pöördklapp jäätmete väljalaske asendisse. Nii ühtlustub siserõhk õhurõhuga ja te saate hõlpsasti kaane eemaldada.
- 7.3.3** Tehke kaaneklamber lahti (joon. 2 (n)). Vabastage ettevaatlikult kaas ja eemaldage see, kasutades kahte teineteise vastas olevat kangi (joon. 19). Voolikute eemaldamine võib olla kasulik.
- 7.3.4** Tõstke vahtmaterjali nõud üles ja eemaldage see (joon. 2 (i)) ning visake ära vana vahtmaterjal. Eemaldage vesi filtrianumast, nii et kogute biomaterjali võrku. Biomaterjal ei vaja hooldust.
- 7.3.5** Kui anuma põhjas on setete kiht, siis loputage seda tiigiveega.
- 7.3.6** Pange biomaterjal tagasi anuma põhja bio-toru (joon. 2 (o)) ümber. Bio-torusse ei tohi biomaterjali sattuda (joon. 20).
- 7.3.7** Pange vahtmaterjali nõu anumasse. Keerake vahtmaterjali nõud, kuni selle ülaosas olevad väikesed kolmnurgad joonduvad filtrianuma sisepinnal olevate püstjoontega (joon. 21). **Vahtmaterjali nõu vajub paika. Veenduge, et vahtmaterjali nõu oleks õiges asendis, et saaksite kaane hõlpsasti tagasi asetada.**
- 7.3.8** Täitke vahtmaterjali nõu soovitatava koguse vahtmaterjaliga Cypricube. Ärge muretsege, kui uued kuivad vahtkuubikud võtavad veidi rohkem ruumi. Veenduge, et vahtmaterjali ei satuks august bio-torusse.
Ärge kunagi suruge vahtmaterjali alla, et seda rohkem mahuks. Kuiva vahtmaterjali tuleb lisada kohevalt ja see ei tohi ulatuda üle filtrianuma ääre (joon. 22). Ülemäärase hulga vahtmaterjali lisamine teeb filtri puhastamise vaevarikkamaks.
- 7.3.9** Veenduge, et filtrianuma ülaosas olev tihend (joon. 2 (l)) oleks paigas ja et sellel ei oleks mustust ega prahti. Kandke tihendile õhuke kiht silikoonrasva, kui see on monteerimise hõlbustamiseks vajalik. Paigaldage uuesti kaas. Lükake UV-lampi kattev must toru keskmisest august alla.
- 7.3.10** Paigaldage uuesti kaaneklamber. Veenduge, et lintklambri alla ei oleks kogunenud vett, ja hoidke hingega kangi korralikult määratuna õli baasil valmistatud määrdeainega.
- 7.3.11** Keerake pöördklapp tagasi tiiki suunatud väljalaske asendisse ja seadke vânt hoiuasendisse.
- 7.3.12** Käivitage esmalt pump ja kontrollige, kas esineb lekkeid. Seejärel lülitage sisse UV-lamp. Vaadake, kas UV-indikaatorlätse taga paistab sinakas kuma.

Hoiustamine talvel

- 8.1** Talvel külma ilmaga (kui kalad on passiivsed ja vetikad ei kasva) võib seadme välja lülitada. Seejärel tuleb see eemaldada, korralikult puhtaks pesta, puhastada ja kuivatada ning panna kuiva külma eest kaitstud kohta hoiule. Seadet hoiule pannes eemaldage alati kaas, et tagada piisav ventilatsioon ja kuivamine.

Veotsing/KKK

Probleem	Võimalik põhjus	Abinõu
Vesi ei voola filtrist tiiki.	Toitepump ei ole sisse lülitatud või ei tööta.	Kontrollige, kas pump töötab ja on sisse lülitatud.
	Sisselaskevoolik on tõkestatud.	Kontrollige, kas sisselaskevoolikul või tagasisivoolu voolikul esineb tõkestusi.
Vähenenud vool läbi filtri.	Pöördklapp on jäätmete väljalaske asendis.	Keerake pöördklapp tiiki suunatud väljalaske asendisse.
	Vahtmaterjal ei lase piisavalt vett läbi.	Puhastage filter (vt „Puhastamine”).
	Sisselaskevoolik on tõkestatud.	Kontrollige, kas sisselaskevoolikul või tagasisivoolu voolikul esineb tõkestusi.

Probleem	Võimalik põhjus	Abinõu
Vesi ei lähe selgeks.	Uus filter ei ole veel maturatsiooni saavutanud.	Tiigivee selgus peaks 2–3 nädala jooksul paranema hakkama, aga täieliku bioloogilise maturatsiooni võib kuluda 6–8 nädalat. Siis saavutab filter maksimaalse tõhususe.
	Filteri suurus ei ole õige teie tiigi jaoks.	Kontrollige, kas te kasutate oma tiigi tingimustele vastavat filtrit.
	Vale suurusega toitepump.	Kontrollige voolukiirust. Vt 2.2.
	UV-lamp on läbi põlenud.	Kontrollige UV-indikaatoriläätse. Asendage UV-lamp.
	Vana UV-lamp.	Vahetage UV-lamp iga 12 kuu järel välja.
	Vahtmaterjali tuleb puhastada.	Puhastage filter (vt „Puhastamine“).
	Tagasivoolu vooliku väljalase asub toitepumba kohal.	Liigutage pumba või tagasivoolu vooliku väljalaset nii, et need asuksid teineteisest võimalikult kaugel.
	Tiigis on liiga palju kalu.	Vähendage kalade hulka tiigis.
	Ülesootmine.	Andke oma kaladele vaid nii palju toitu, kui nad mõne minuti jooksul jõuavad süüa. Söötke vaid kord päevas.
Puhastusvânt ei pöörle.	Pump töötab puhastamise alguses.	Lülitage pump välja. Keerake vändaga korduvalt mõlemas suunas. Lülitage pump sisse (vt „Puhastamine“).

Hozelock Cyprio selge vee garantii

GARANTEEERIME TEILE SELGE VEE VÕI ANNAME RAHA TAGASI, kui kasutate Hozelock Cyprio Bioforce Revolutionit sobiva pumba. Garantii kehtib 12 kuud alates ostmisest järgmistel tingimustel.

- Te järgisite paigaldus- ja kasutusjuhiseid.
- Te kasutate õige suurusega seadmeid vastavalt Hozelock Cyprio suuruse määramise andmetele.
- Te konsulteerisite meie abiliiniga (0121 313 1122) piisavalt vara, et probleemid lahendata.
- Toode on tagastatud kahjustamata seisukorras.

Tagasimakse saab heaks kiita vaid Hozelock Cyprio ja see makstakse välja vaid ostu sooritamise kohas ning vaid filteri ostuväärtuse ulatuses. Arvestage, et selge vee garantii ei kehti, kui vee ebaselguse põhjuseks on „roheline vee“ vetikate asemel niitvetikad.

Hozelock Cyprio 2-aastane garantii

Kui käesolev Bioforce Revolution (välja arvatud lamp) muutub ostukuupäevast alates kahe aasta jooksul kasutuskölbmatuks, siis parandame või asendame me selle omal kulul, kui meie hinnangul ei ole seadet kahjustatud. Me ei vastuta õnnetusest, vääripaigaldusest või -tarvitusest tekkinud kahjude eest. Vastutus piirub vigase seadme asendamisega. See garantii ei ole ülekanav. See ei mõjuta teie seadusega ettenähtud õigusi. Selle garantii hüvitiste saamiseks võtke esmalt ühendust Hozelock Cyprio tarbijateenindusega (0121 313 1122), kes võivad paluda, et te saadaksite seadme koos ostu tõestusega alltoodud aadressile.

Kontakt/varuosad

www.hozelock.com

Tehniline teave

Osa number	1352	1353	1354
Tootevalik	Bioforce Revolution		
Pinge (V)	230V 50Hz		
UVC-võimsus (W)	18	24	36
Maksimaalne tiigi suurus kaladega	6000 l (1320 gal)	9000 l (1980 gal)	14000 l (3080 gal)
Maksimaalne tiigi suurus kaladeta	12 000 l (2640 gal)	18 000 l (3960 gal)	28 000 l (6160 gal)
Max Hozelock Cyprio pumba Aquaforce suurus (l/h)	4000	6000	8000
Max vool, QMax, (l/h)	3000	4500	7000
IP-klass	IP57	IP57	IP57
Max veetemperatuur Tmax, (°C)	35°C	35°C	35°C
Bioforce Revolutioni puhastussüsteem	✓	✓	✓
* Mõõdetud kontrollitud tingimustes			



Ärge kõrvaldage elektriseadmeid sorteerimata olmejäätmetena, kasutage eraldi kogumispunkte. Kasutatavate kogumissüsteemide kohta küsige teavet kohalikul omavalitsuselt. Elektriseadmeid prügilasse kõrvaldades võivad ohtlikud ained põhjavette lekkida ja sattuda toiduahelasse, kahjustades teie tervist ja heaolu. EL-is on vana seadet uuega asendades jaemüüjal seadusega sätestatud kohustus võtta teie vana seade utiliseerimiseks tasuta vastu.

LAT

Patiecamies par Hozelock kvalitatīvā produkta izvēli! Jūs varēsiet pārliecināties par šī produkta uzticamo kalpošanu!

- a** Elektrisko daļu korpusu
- b** Vāka konstrukcija
- c** UV lampas indikatora lēca
- d** Tīrīšanas roktura poga
- e** Tīrīšanas rokturis
- f** Trīsceļu krāns
- g** Tīrīšanas tapas (dzeltenā krāsā)
- h** UV apvalks
- i** Putu materiāla spainis
- j** Cypricube putu materiāls
- k** Bio-materiāls
- l** Trauka blīvgredzens
- m** Filtra trauks
- n** Vāka apskava
- o** Biopiltuve
- p** Šļūtenes gals un uzgrieznis
- q** Svira

NORĀDĪJUMI PAR UZSTĀDĪŠANU UN IZMANTOŠANU



PIRMS IERĪCES UZSTĀDĪŠANAS UZMANĪGI IZLASIET ŠOS NORĀDĪJUMUS.

ŠO BRĪDINĀJUMU NEIEVĒROŠANAS REZULTĀTS VAR BŪT TRAUMA, IERĪCES BOJĀJUMS VAI ZIVJU BOJĀEJA.

SAGLABĀJIET ŠOS NORĀDĪJUMUS, LAI VARĒTU TOS IZMANTOT UZZIŅAI ARĪ NĀKOTNĒ.

Šis Hozelock izstrādājums Cyprio Bioforce Revolution ir jauna koncepcija vieglai ūdens filtrācijai dārza dīķos.

Šī ierīce ir:

- ērta un efektīva;
- viegli uzstādāma;
- bez problēmām iztīrāma un apkalpojama;
- novietojama gandrīz jebkurā vietā.

To izmantojot kopā ar piemērotu dīķa sūkni, šī ierīce palielinās ūdens dzidrumu, atbrīvos dīķi no nevēlamajiem cietķermeņiem un pārvērtīs izšķīdinātos organiskos un ķīmiskos zivju atkritumus nekaitīgos savienojumus.

Uzmanību! Brīdinājums par UV starojumu

Šajā ierīcē ir UV-C starotājs. Šīs ierīces neplānota izmantošana vai korpusa bojājums var radīt bīstama UV-C starojuma izplūšanu. Pat nelielas UV-C starojuma devas var kaitēt acīm un ādai. Lampa ir aprīkota ar bloķētāju, kas izslēdz lampu, atverot korpusu, kurā atrodas elektriskās daļas.

Kad lampa ir ieslēgta, var pārbaudīt, vai tā darbojas, skatoties, vai redzama zilgana gaisma, kas nāk no UV

indikatora lēcas. Nedarbiniet šo ierīci bez ūdens.

Brīdinājums. Nemēģiniet izmantot UV-C starotāju, kamēr tas izņemts no ierīces korpusa.

Svarīgi!

Šī ierīce nav paredzēta, lai to izmantotu personas (tostarp bērni) ar sliktākām fiziskajām, garīgajām un uztveres spējām vai bez pieredzes un zināšanām, ja vien viņas netiek uzraudzītas vai nav saņēmušas norādījumus par iekārtas izmantošanu no personas, kas atbildīga par viņu drošību. Jāpieskata, lai bērni ar ierīci nespēlētos. Ja redzams, ka šī ierīce ir bojāta, to nevajag izmantot.

Brīdinājums. Drošība un elektriskie savienojumi

- 1.1 BRĪDINĀJUMS. PIRMS ROKU IELIKŠANAS ŪDENĪ APRĪKOJUMA UZSTĀDĪŠANAS, REMONTA, APKOPES VAI PĀRVIETOŠANAS LAIKĀ VIENMĒR ATVIEŅOJIET NO KONTAKTLIGZDAS VAI STRĀVAS AVOTA VISAS DĪĶA IERĪCES.**
- 1.2** Šis filtrs ir paredzēts izmantošanai tikai dārza dīķos. Neizmantojiet šo filtru nevienā citā nolūkā (piem., peldbaseinos utt.). Šīs ierīces izmantošana jebkurā citā veidā var izraisīt traumu vai ierīces bojājumu.
- 1.3** Nevajag izmantot ierīces, kuras ir acīmredzami bojātas.
- 1.4** Ierīcē esošais caurspīdīgais lampas korpuss ir izgatavots no kvarca stikla, tādēļ uzstādīšanas un apkopes laikā ir jārikojas piesardzīgi. Ieteicams izmantot acu aizsarglīdzekļus un piemērotus cimdus.
- 1.5** Bioforce Revolution filtrs ir izturīgs pret atmosfēras iedarbību, tomēr nav iegremdējams ūdenī. Novietojiet ierīci vertikāli netālu no dīķa, bet vietā, kurā tā nevar iekrist ūdenī un kur zeme nevar piesūkties ar ūdeni. (Skat. sadaļu „Uzstādīšana“.)
- 1.6** Svarīgi! Šīs ierīces komplektācijā ietilpst 5 m garš 3 dzīslu elektriskais vads. Šīs ierīces komplektācijā esošais spraudnis nav ūdensizturīgs, un tas atbilstoši vietējiem noteikumiem jāpievieno barošanas avotam, kas atrodas sausā, pret atmosfēras iedarbību izturīgā korpusā.
- 1.7** BRĪDINĀJUMS. Šī ierīce IR JĀIEZEMĒ, un svarīgi, lai savienojumu veikšanas laikā tiktu ievērots šāds vada krāsu kodējums:
 - BRŪNS — vads, pa kuru plūst strāva;
 - ZILS — neitrāls;
 - ZAĻŠ/DZELTENS — iezemējums.
- 1.8** Ārpusē esošie vadi ir saprātīgi jānovieto un jāaizsargā ar stieģrota kanāla palīdzību, lai īpaši gadījumā, ja pastāv risks, ka vadi var nonākt saskarē ar dārza darbu aprīkojumu, piemēram, dakšām un zāles pļaujmašīnām, vai bērniem un mājdzīvniekiem.
- 1.9** Elektrotīklam JĀUZSTĀDA drošinātājs pret strāvas noplūdi (RCD) ar maks. 30 mA noplūdes strāvu.
- 1.10** Uzstādot un pastāvīgi pievienojot elektrotīklam, jānodrošina atbilstība valsts un vietējiem elektroinstalācijas noteikumiem. Ja radušās neskaidrības par pievienošanu elektrotīklam, konsultējieties ar kvalificētu elektriķi vai vietējo pašvaldību.
- 1.11** Nekādā gadījumā neizmantojiet barošanas kabeli vai tīrīšanas rokturi filtra pacelšanai vai pārvietošanai,

jo tas var radīt bojājumu. Ja filtrs jāpārvieta, vispirms šī ierīce ir jāizslēdz un jānolej no tās ūdens. Pēc tam paceliet ierīci, satverot aiz vietas, kurā vāks ar apskavu piestiprināts pie galvenā trauka.

- 1.12 Nekādā gadījumā nesēdīet uz tīrīšanas roktura, kā arī neatbalstīties pret to (4. att.).
- 1.13 Nekādā gadījumā neceliet filtru aiz tīrīšanas roktura. Vienmēr nesiet ierīci, turot ar abām rokām cieši satvertu aiz vāka malas (5. att.).
- 1.14 Neizmantojiet filtru bez ūdens.
- 1.15 Filtra izmantošanas laikā nebloķējiet izplūdes atveres.
- 1.16 Neizmantojiet šo ierīci, ja barošanas kabelis ir kaut kādā veidā bojāts. Barošanas kabeli nevar nomainīt. Ja kabelis ir bojāts, no elektrisko daļu korpusa jāatbrīvojas atbilstoši vietējiem noteikumiem.
- 1.17 Ja ierīce nav jāizmanto visu gadu, aizsargājiet šo ierīci no sala. (Skat. sadaļu „Aprūpe ziemas laikā“.)
- 1.18 Aizsargājiet filtru no tiešas saules gaismas.
- 1.19 Šī ierīce nav piemērota ūdens temperatūrai, kas augstāka par 35 °C vai zemāka par 0 °C.
- 1.20 Izmantojiet tikai tos piederumus, kuri paredzēti izmantošanai kopā ar šo ierīci. Jebkuru citu piederumu vai rezerves daļu izmantošana var padarīt nederīgu šīs ierīces garantiju.

Vispārīgi norādījumi

- 2.1 Lapas otrā pusē, Tehnisko datu tabulā, doti vispārīgi norādījumi par filtra un ieteicamā sūkņa specifikācijām. Tomēr, lai panāktu vislabākos rezultātus, jāņem vērā arī vairāki citi faktori, jo tie samazina filtra veiktspēju.
 - **Diķa dziļums.** Hozelock Cyprio ieteiktais Koi diķu minimālais dziļums ir 1,2 m. Diķim, kura vidējais dziļums ir mazāks par 0,75 m, traucējumu faktors ir +25 %. Seklus diķus visā pilnībā ietekmē saules gaisma, un tie ātri sasilst. Tas veicina aļģu savairošanos.
 - **Atrašānās vieta.** Diķa atrašanās vieta nosaka diķi ikdienā ietekmējošo saules gaismas vai ēnas daudzumu. Diķiem, kuri visu dienu atrodas pilnā saulē, traucējumu faktors ir +25 %.
 - **Klimats.** Klimats ietekmē ūdens temperatūru un zivju aktivitātes līmeni / prasības pēc barības. Jo aktīvākas ir zivis, jo augstākas ir filtrācijas sistēmai izvirzītās prasības. Karstā klimatā (piem., Dienvidāfrikā) traucējumu faktors ir +35 %. Mērenā klimatā (piem., Dienvideiropā) traucējumu faktors ir +15 %. Ziemeļeiropas klimatā (piem., Lielbritānijas lielākajā daļā) traucējumu faktors ir +0 %.
- PIEMĒRS.** Jums ir 0,75 m dziļš 2 200 litru diķis ar zelta zivtiņām (traucējumu faktors +25 %). Jūs dzīvojat Londonā — Ziemeļeiropas klimatā (traucējumu faktors +0 %). Diķis atrodas vietā, kurā to apspīd tieša saules gaisma (+25 %). Tādējādi diķa efektīvais tilpums ir palielinājies par 50 % (25 % + 25 %), un jums ir jākalibrē aprīkojums tā, it kā jums būtu 3 300 litru diķis.
- 2.2 **Pļūsmas ātrums.** Lai nodrošinātu vislabākos rezultātus, diķa ūdens ir jāizlaiž caur Bioforce Revolution ik pēc 1½-2½ stundām, un Koi diķiem ir ieteicams vēl lielāks pļūsmas ātrums. Nepārsniedziet lapas otrā pusē Tehnisko datu tabulā norādīto maksimālo pļūsmas ātrumu. Ja jāiegūst tīrs ūdens, pareizs pļūsmas ātrums

ir svarīgs. Ja instalācija nerada lielus zudumus (piem., garu šļūteni dēļ), var būt nepieciešams noregulēt pļūsmu, izmantojot pļūsmas vadības šļūtenes krānu, lai panāktu ūdens nomaņu 1½-2½ stundu laikā.

Maza diametra šļūtene, nevajadzīgi gara šļūtene un liels sūkņēšanas augstums (spiediens) var ievērojami samazināt izplūdi no sūkņa. Mēs iesakām izvēlēties sūkni, kas nodrošinās nepieciešamo pļūsmu attiecībā pret pilnu ģeodētisko ceļšānas augstumu (t.i. vertikālo attālumu starp diķa virsmu un filtra iepļūdes atveri) plus 0,6 m, lai ļautu notikt berzes zudumiem šļūtenēs. Filtrācijas mērķis ir atkrītumu novadīšana no diķa uz filtru, tādēļ jebkuram komplektā izmantotajam sūknim, tāpat kā Hozelock Cyprio sūkņu sērijai Aquaforce, kura īpaši izstrādāta Bioforce Revolution paredzētajam diķu tilpuma diapazonam, vajadzētu spēt tikt galā ar cietajām vielām. Sūknis jānovieto diķa visdziļākajā daļā, lai nodrošinātu vislabāko diķa ūdens cirkulāciju un maksimāli palielinātu tā spēju tikt galā ar cietajām vielām. Sūknim jābūt uz līdzenas platformas, kura atrodas 300 mm virs diķa dibena. Tādējādi tiks novērsta netīrumu iesūkņēšana tieši no diķa dibena un nodrošināta pietiekami liela ūdens daudzuma palikšana diķī pat tad, ja notiks nejauša ūdens noplūde no diķa.

Pļūsmas ātruma pārbaudīšana. Paņemiet kādu zināma tilpuma tvertni un uzņemiet laiku, cik ilgi tā piepildās (sekundēs). Pēc tam 3 600 izdaliet ar tvertnes piepildīšanas laika sekunžu skaitu un sareiziniet ar tvertnes tilpumu (litros vai galonos). Iegūtais rezultāts būs pļūsmas ātrums stundā litros vai galonos (l/h vai gal/h).

- 2.3 **Audzējamo zivju blīvums.** Normālos apstākļos un parastā barošanas režīmā Bioforce Revolution darba diapazons ir derīgs līdz 50 cm uz katriem 1000 diķa tilpuma litriem (10" zivju uz 100 galoniem). Pirmo pāris nedēļu laikā lēni pieradiniet zivis, sasniedzot līdz 20 % no maksimālā ieteicamā līmeņa, pēc sešiem mēnešiem, ja vēlaties, šo rādītāju palielinot līdz 50 %. Šis līdzsvars veicinās zivju skaita pieaugumu.
- 2.4 **Diķa apstrāde.** Dažus ārstniecības/apstrādes līdzekļus UVC starojums var ļoti ātri iznīcināt. Iegūtais rezultāts slimību, apsveriet iespēju izslēgt filtru. Mehāniskā un bioloģiskā filtrācija turpinās darboties.
- Ja jāveic diķa ūdens apstrāde, lai iznīcinātu zaļūdens aļģes, izslēdziet sūkni un filtru līdz brīdim, kad diķis ir attīrīts no zaļūdens aļģēm.
- 2.5 Pievērsiet īpašu uzmanību šļūtenju savienojumiem, jo noplūdes radīs diķa ūdens zudumus.

Uzstādīšana

- 3.1 **Svarīgi!** Kopā ar Bioforce Revolution filtriem neizmantojiet sūkni ar pļūsmas ātrumu, kas lielāks par 8 000 l/h, vai maksimālo sūkņēšanas augstumu, kas lielāks par 5 m.
- 3.2 **Svarīgi!** Bioforce Revolution filtrus drīkst uzstādīt tikai vertikāli (6. att.).
- 3.3 Bioforce Revolution filtri ir zem paaugstināta spiediena esoši ārējie filtri un UVC elementi, kas piemēroti uzstādīšanai virs zemes (7. att.) vai zemē (8. att.) līdzās diķim vai paslēpšanai ūdenskrituma virsmā.

Ja nolemsiet uzstādīt filtru virs zemes līmeņa, novietojiet filtru uz līdzenas virsmas.

Ja nolemsiet daļēji ierakt filtru, izraktā bedrē ir cieši jāpiepilda ar sablīvētām smiltīm, lai tās atbalstītu ierīci. Ja nolemsiet veikt šāda veida uzstādīšanu, atstājiet vismaz 50 mm atstarpi starp apskavu un zemes līmeni, lai nodrošinātu vieglu izņemšanu ikgadējās apkopes veikšanai.

- 3.4 Maza kalibra cauruļu izmantošana izraisa pārmērīgu ūdens plūsmas ierobežošanu. Jo lielāks ir izmantotās šļūtenes diametrs, jo labāka būs filtra veiktspēja, it īpaši — garu šļūtenes posmu gadījumā. Šis montāžas vienības komplektācijā ietilpstošie šļūtenes gali ir piemēroti 25 mm (1"), 32 mm (1¼") un 40 mm (1½") Cypriflex šļūtenei. Lai izvairītos no ūdens plūsmas ierobežošanas, kopā ar Bioforce Revolution filtram vienmēr ieteicams izmantot šļūteni ar 40 mm diametru.

Pēc izmantojamā šļūtenes diametra izvēles nogrieziet to šļūtenes gala daļu, kura ir mazāka par šļūtenes diametru, lai novērstu plūsmas ierobežošanu (9. att.).

Cypriflex šļūtenes iegādes, nomērišanas un nogriešanas laikā atcerieties, ka filtra padeves sūknim un dīķa ūdens atplūdes šļūtenes izplūdes atverei jāatrodas pēc iespējas lielākā attālumā, lai nodrošinātu optimālu ūdens cirkulāciju.

Starp padeves sūkni un filtra ieplūdes atveri (10. (i) att.) novietojiet piemērota garuma šļūteni, to nostiprinot pie šļūtenes galiem ar Hozelock Cypro šļūtenu apskavām, kuras nopērkamas atsevišķi. Pēc tam tādā pašā veidā pie filtra izplūdes atveres (10. att. (ii)) pievienojiet piemērota garuma šļūteni. Sīkāku informāciju par atkritumu izplūdes atveri (10. att. (iii)) skatiet sadaļā „Tīrīšana”.

Novietojiet sūkni piemērotā dīķa vietā, un novietojiet izplūdes šļūtenes galu tā, lai filtrētais ūdens ieplūst atpakaļ dīķī.

Šļūtenju novietošanas laikā izvairieties no samezģlojumiem un krasiem līkumiem. Lai samazinātu plūsmas ierobežošanu, izmantojiet pēc iespējas īsāku šļūteni.

- 3.5 Pārlicinieties, vai uztīšanas rokturis atrodas virs elektrisko daļu korpusa. Paņemiet komplektācijā ietilpstošo uztīšanas roktura pogu un vāku un pievienojiet tīrīšanas rokturim, novietojot uz roktura un ar klikšķi iespiežot vietā (11. att.).

Tagad filtrs ir sagatavots izmantošanai.

Darbība

- 4.1 **Pārlicinieties, vai trīscelņu krāns ir pagriezts virzienā pret dīķa izplūdes atveri (12. att.).**
- 4.2 Pievienojiet filtra barošanas vadu. (Skat. 1. sadaļu – Drošība un elektriskie savienojumi). Tas ieslēdz UVC lampu. Varat pārbaudīt, vai lampa darbojas, skatoties, vai korpusa augšpusē redzama zila gaisma no UV lampas indikatora lēcas (1. att. (c)).
- 4.3 Ieslēdziet sūkni.
- 4.4 **Darbības periodi.** Ļaujiet filtram strādāt visu diennakti. Ideālajā gadījumā to vajadzētu izmantot visu gadu, bet noteikti — vismaz visu barošanas sezonu (t.i. līdz ūdens temperatūra kļūst zemāka par 10 °C). Sūkņa un filtra izmantošana ziemā nodrošinās Bioforce derīgo baktēriju pamatlīmeni un palīdzēs

novērst dīķa aizsalšanu. Ja sūknis pa ziemu ir izslēgts, pavasarī pirms filtrācijas atsākšanas rūpīgi izmazgājiet filtru (skat. 11.0. sadaļu „Uzglabāšana ziemas laikā”). Nekādā gadījumā nebarojiet zivis, kamēr filtrs netiek izmantots.

Nobriešana

- 5.1 Bioloģiskā nobriešana nozīmē, ka filtrs ir radījis pietiekami daudz nitrificējošu baktēriju, lai varētu pārvērst kaitīgos zivju un citus organiskos atkritumus (piem., amonjaku, nitritu) salīdzinoši nekaitīgā nitrātā. Šis process parasti ilgst 6-8 nedēļas, tomēr ir atkarīgs no daudziem faktoriem, piemēram, ūdens temperatūras, barošanas daudzuma un audzēšanas blīvuma. Paātriniet nobriešanu, pievienojot kādu nobriešanu veicinošu līdzekli, tādu kā Hozelock Cypro Filter Start.

Tīrīšana

Bioforce Revolution nepieciešamais tīrīšanas laiks

Bioforce Revolution filtru nodrošina maksimālu veiktspēju, prasot minimālu apkopi. Ja dīķis ir ļoti netīrs, sākumā var būt nepieciešama filtra tīrīšana katru dienu, jo tajā ļoti ātri sakrājas atkritumi. Kad dīķis kļūs tīrāks, būs mazāk atkritumu, tādēļ arī filtrs būs jātīra retāk. Zem spiediena esošie filtri ir visefektīvākie tad, kad putu materiāls ir daļēji bloķēts. Tomēr, aizsērējumam palielinoties, plūsmas ātrums samazinās, jo cauri putu materiālam var izpūst mazāks ūdens daudzums un rodas nepieciešamība pēc tīrīšanas.

- 6.1 Atvienojiet sūkni no galvenā barošanas avota.
- 6.2 Pievienojiet piemērota garuma šļūteni pie atkritumu izvades atveres (10. att. (iii)), izmantojot nodrošināto šļūtenes galu un apskavu. Atkritumu izvadīšanai paredzētās šļūtenes galu var novietot virs notekas vai puķudobes. Šis notekūdens ir lielisks mēslojums.
- 6.3 Vairākas reizes pagrieziet rokturi. Ieteicams veikt vairākus apgriezienus gan pulksteņrādītāju kustības virzienā, gan pretēji pulksteņrādītāju kustības virzienam (13. att.). Griežot rokturi, dzeltenās tīrīšanas lāpstiņas (2. att. (g)) griezīsies viena no otras attālināsies, saspiežot katru putu materiāla kubiju, to atbrīvojot no savāktajiem sanesumiem.
- 6.4 Pagrieziet trīscelņu krānu atkritumu izvades pozīcijā (14. att.). Atskanēs klikšķis.
- 6.5 Ieslēdziet sūkni.
- 6.6 Turpiniet griezt rokturi (ar pilniem apgriezieniem abos virzienos). Sākumā notekūdens būs spilgti zaļā vai brūnā krāsā (atkarībā no dīķa raksturlielumiem).

Pēc neilga laika notekūdens krāsas intensitāte samazināsies un ūdens sāks kļūt tīrāks. Šajā brīdī pārtrauciet griezt rokturi un novietojiet to fiksētā stāvoklī virs galvenā korpusa (15. att.).

Pagaidiet 5 sekundes, līdz cauri izskatotas pēdējās atkritumu daļiņas, un pagrieziet trīscelņu krānu atpakaļ dīķa virzienā.

BRĪDINĀJUMS. Atstājot krānu atkritumu izvadīšanas pozīcijā, dīķis tiks iztukšots. **Neaizmirstiet pagriezt atpakaļ dīķa izplūdes atveres virzienā.**

- 6.7 Filtra tīrīšanai nepieciešamais laiks ir atkarīgs no vairākiem faktoriem, bet jo regulārāk tīrīsiet filtru, jo īsāks būs nepieciešamais tīrīšanas laiks. Parasti

tīrīšanai būs nepieciešamas dažas minūtes.

Laiku pa laikam būs jāpapilda dīķa ūdens līmenis, lai aizstātu tīrīšanas laikā nolieta notekūdeni. Daļēja ūdens nomaīņa ir veselīgas dīķa ūdens sistēmas uzturēšanas svarīgs faktors.

Apkope

Brīdinājums. Pirms ierīces izmantošanas izlasiet šos norādījumus par apkopi.

Brīdinājums. Nemēģiniet noņemt vāku vai elektrisko daļu korpusu sūkņa un filtra izmantošanas laikā. Uz vāka apskavas ir sprauģi piekaramās atslēgas ievietošanai, lai novērstu nejašu atvēršanu. To ieteicams izmantot, ja tuvumā būs bērni.

7.1 UV lampas nomaīņa

Brīdinājums. Pirms UV-C starotāja atvienošanas šī ierīce jāatvieno no barošanas avota.

Laika gaitā UV lampas efektivitāte ievērojami samazinās, tādēļ lampa jānomaina ik pēc 12 mēnešiem pat tad, ja tā vēl arvien darbojas.

7.1.1 Izslēdziet padeves sūkni un filtru.

7.1.2 Pagrieziet trīscēļu krānu atkritumu izvades virzienā. Tas ļaus iekšējam spiedienam izlīdzināties ar atmosfēras spiedienu un viegli noņemt elektrisko daļu korpusu bez ūdens nokļūšanas uz vāka augšējās virsmas.

7.1.3 Pagrieziet tīrīšanas rokturi par pusi apgrieziena, lai tas netraucētu piekļūvi elektrisko daļu korpusam (16. att. (i)).

7.1.4 Ar skrūvgrīža palīdzību izņemiet 5 skrūves, ar kurām elektrisko daļu korpusu piestiprināts pie vāka (16. att. (ii)). Starp filtra iepļūdes atveri un izplūdes atveri ir kabata skrūvju uzglabāšanai lampas nomaīņas laikā (16. att. (iii)).

7.1.5 Satveriet elektrisko daļu korpusu un uzmanīgi pavelciet, lai noņemtu. Pagrieziet šo korpusu ar augšpusi uz leju un novietojiet uz sausas līdzenas virsmas.

7.1.6 17. att. Atskrūvējiet lampas kvarca kupola fiksācijas uzdevu (i). Uzmanīgi pieturiet lampas kvarca kupolu (ii), paceliet un noņemiet to kopā ar blīvgredzeniem (iii) un fiksācijas uzdevu.

7.1.7 Izņemiet veco lampu, uzmanīgi izvelkot no turētāja un noņemot melno aizsargvāciņu, kas atrodas lampas galā (17. att. (iv)). Noņemiet atstarotāja plāksni (17. att. (v)). Atbrīvojieties no vecās lampas atbilstoši vietējiem noteikumiem, un uzstādiat jauno lampu.

7.1.8 Uzlieciet atpakaļ atstarotāja plāksni un uzspiediet melno vāciņu lampas galā.

7.1.9 Uzbīdiat lampas kvarca kupolu uz lampas. Pārlicinieties, vai abi blīvgredzeni pie lampas kvarca kupola ir tīri.

7.1.10 Uzbīdiat fiksācijas uzdevu uz lampas kvarca kupola un pieskrūvējiet. Turpiniet skrūvēšanu līdz fiksācijas uzdevam atduris saskaras ar korpusa atduri un uzdevu vairs nevar tālāk uzskrūvēt.

7.1.11 Uzlieciet atpakaļ elektrisko daļu korpusu. Korpusu var uzlikt tikai vienā veidā, tādēļ nemēģiniet to iespiest vietā ar spēku. Pēc novietošanas pareizā pozīcijā, ieskrūvējiet atpakaļ 5 skrūves. Šīs skrūves ir līdz galam jāieskrūvē, lai nodrošinātu bloķēšanas slēdža aktivizēšanu.

7.1.12 Pagrieziet trīscēļu krānu atpakaļ dīķa pozīcijā un novietojiet tīrīšanas rokturi fiksētā pozīcijā.

7.1.13 Pārbaudiet, vai nav redzamas noplūdes, un atkal palaidiet sūkni. Pēc tam ieslēdziet UV lampu. Pārbaudiet, vai redzama zilgana gaisma, kas nāk no UV indikatora lēcas.

7.2 UV lampas kvarca kupola apkope

It īpaši cieta ūdens zonās lampas kvarca kupons, kas aptver UVC lampu, var pārklāties ar kaļķakmeni. Ja tā veidošanās netiks novērsta, samazināsies ierīces efektivitāte. Lai notīrītu, izslēdziet sūkni un UV barošanas avotu, noņemiet elektrisko daļu korpusu, kā aprakstīts 7.1. punktā, un noslaukiet lampas kvarca kupolu ar mīkstu drāniņu, kas samitrināta maigā tīrīšanas līdzeklī, piemēram, etiķi. (Skat. 18. att.) Lampas kvarca kupona tīrīšanas laikā ir jāvairāki aizsargapģērbs, tāds kā aizsargbrilles un cimdi.

7.3 Cypricube putu materiāla nomaīņa

Katru gadu pārbaudiet putu materiālu. Putu materiāla nomaīņas biežums būs atkarīgs no dīķa raksturlielumiem. Ieteicams putu materiālu nomainīt ziemā un pirms zivju barošanas atsākšanas pavasara sākumā*. Putu materiāla nomaīņa citā gada laikā var radīt dīķa ķīmiskā sastāva izmaiņas un kaitēt zivīm.

*Rudenī dīķa ūdenim atdziestot, zivis sāk gatavoties daļējam miera periodam. To gremošanas sistēmas un imūnsistēmas darbība palēninās, zivis vairs nespēj sagremot tāda paša veida pārtiku kā siltākajos mēnešos. Ja zivis gribēs ēst, tās ēdīs vienkāršāku barību, kas dabīgi rodas dīķa vidē. Tādējādi, kolīdz dīķa ūdens temperatūra ir samazinājusies līdz 10 °C uz ilgāku laiku, pārtrauciet barot zivis. Kad pavasara sākumā atkal sāks palikt siltāk un zivis kļūs aktīvākas, varat atkal pakāpeniski atsākt zivju barošanu.

7.3.1 Izslēdziet padeves sūkni un filtru.

7.3.2 Pagrieziet trīscēļu krānu atkritumu izvades virzienā. Tas ļaus iekšējam spiedienam izlīdzināties ar atmosfēras spiedienu un viegli noņemt vāku.

7.3.3 Atveriet vāka apskavu (2. att. (n)). Uzmanīgi atveriet un noņemiet vāku, izmantojot 2 pretējās atverēs ievietotas sviras (19. att.). To var būt vieglāk izdarīt, noņemot pievienotās šūtenes.

7.3.4 Paceliet un noņemiet putu materiāla spaini (2.(i) att.) un atbrīvojieties no vecā putu materiāla. Izlejiet ūdeni no filtra trauka, uzverot tiklīdz biomateriālu. Biomateriālam nav nepieciešama nekāda apkope.

7.3.5 Ja trauka apakša ir pārklājusies ar nogulsniem, izskalojiet trauka apakšu ar dīķa ūdeni.

7.3.6 Ievietojiet atpakaļ biomateriālu, pārlicinoties, ka tas atrodas apkārt biopiltuvei (2.(o) att.) trauka apakšā. Biopiltuvē nedrīkst atrasts biomateriāls (20. att.).

7.3.7 Ievietojiet putu materiāla spaini traukā. Grieziet putu materiāla spaini, līdz mazie trīsstūrīši uz putu materiāla spaiņa virsmas atrodas iepretim vienai no vertikālajām līnijām filtra trauka iekšpusē (21. att.). Putu materiāla spainis iekritis vietā. Pārlicinieties, vai putu materiāla spainis ir pareizi novietots, lai varētu viegli rīkoties ar vāku.

7.3.8 Piepildiet putu materiāla spaini ar ieteicamo Cypricube putu materiāla daudzumu. Neuztraucieties, ja jaunie sausie putu materiāla kubīņi aizņem mazliet vairāk

vietas, kamēr tie ir jauni. Uzmanieties, lai putu materiāls neiekrīt biopiltuves zonas vidus caurumā.

Nekādā gadījumā nesaspiediet putu materiālu, lai varētu ievietot vairāk. Sausais putu materiāls ir jāpievieno brīvi izkārtots, un to nedrīkst iepildīt augstāk par filtra trauku (22. att.). Pārāk liela putu materiāla daudzuma dēļ būs grūtāk iztīrīt filtru.

7.3.9 Pārlicinieties, ka filtra trauka augšpusē esošā blīve (2.(I) att.) atrodas savā vietā un nav netīra. Ja nepieciešams, pārklājiet blīvi ar vieglu silikona smērvielas kārtiņu, lai atvieglotu montāžu. Uzlieciet atpakaļ vāku. Izbidiet vidējo melno kuponu, kas nosedz UV lampu, caur vidējo caurumu.

7.3.10 Uzlieciet atpakaļ vāka apskavu. Pārlicinieties, vai zem apskavas joslas nav sakrājis ūdens, un rūpējieties, lai enģotā svira ir vienmēr ieeļļota ar kādu eļļu uz ūdens bāzes.

7.3.11 Pagrieziet trīscelju krānu atpakaļ dīķa pozīcijā un novietojiet tīrīšanas rokturi fiksētā pozīcijā.

7.3.12 Pārbaudiet, vai nav redzamas noplūdes, un atkal palaidiet sūkni. Pēc tam ieslēdziet UV lampu. Pārbaudiet, vai redzama zilgana gaisma, kas nāk no UV indikatora lēcas.

Uzglabāšana ziemas laikā

8.1 Aukstā ziemas laikā (kad zivis ir neaktīvas un alģes pārtrauc augt), ierīci var izslēgt. Pēc tam tā jāizņem, rūpīgi jānomazgā, jānotīra, jāizžāvē un jānovieto uzglabāšanai sausā, no sala pasargātā vietā. Vienmēr uzglabājiet šo ierīci ar noņemtu vāku, lai nodrošinātu pietiekamu ventilāciju un žūšanu.

Problēmu novēršana/ BUJ

Problēma	Iespējamais cēlonis	Risinājums
Caur filtru neplūst ūdens uz dīķi.	Padeves sūknis nav ieslēgts vai nedarbojas.	Pārbaudiet, vai sūknis ir ieslēgts un darbojas.
	Padeves šļūtene ir bloķēta.	Pārbaudiet, vai padeves šļūtene un atplūdes šļūtene nav bloķēta.
	Trīscelju krāns ir novietots atkritumu izvades pozīcijā.	Pagrieziet trīscelju krānu dīķa pozīcijā.
Samazināta plūsma caur filtru	Putu materiāls ir bloķēts.	Iztīriet filtru. (Skat. sadaļu „Tīrīšana“.)
	Padeves šļūtene ir bloķēta.	Pārbaudiet, vai padeves šļūtene un atplūdes šļūtene nav bloķēta.

Problēma	Iespējamais cēlonis	Risinājums
Ūdens nav tīrs.	Jaunais filtrs vēl nav nobriedis.	Dīķa ūdens dzidrums sāks uzlaboties 2-3 nedēļu laikā, bet bioloģiskā nobriešana var ilgt 6-8 nedēļas, līdz sasniegta pilna filtra darbības efektivitāte.
	Dīķim nepareiza izmēra filtrs.	Pārbaudiet, vai izmantots dīķa raksturlielumiem atbilstošs filtrs.
	Nepareiza izmēra padeves sūknis.	Pārbaudiet plūsmas ātrumu. Skat. 2.2. sadaļu.
	Izdegusi UV lampā.	Pārbaudiet UV indikatora lēcu. Nomainiet UV lampu.
	Veca UV lampā.	Nomainiet UV lampu ik pēc 12 mēnešiem.
	Nepieciešama putu materiāla tīrīšana.	Iztīriet filtru. (Skat. sadaļu „Tīrīšana“.)
Tīrīšanas rokturis negriežas.	Dīķa ūdens atplūdes šļūtenes izplūdes atvere ir novietota virs padeves sūkņa.	Novietojiet sūkni vai dīķa ūdens atplūdes šļūteni tā, lai tie atrodas pēc iespējas tālāk viens no otra.
	Dīķi ir pārāk daudz zivju.	Samaziniet zivju daudzumu dīķī.
	Pārbarošana.	Dodiet zivīm tikai tik daudz barības, cik tās var apēst pāris minūšu laikā. Barojiet tikai vienu reizi dienā.
Tīrīšanas rokturis negriežas.	Tīrīšanas sākumā darbojas sūknis.	Izslēdziet sūkni. Vairākas reizes pagrieziet rokturi abos virzienos. Ieslēdziet sūkni. (Skat. sadaļu „Tīrīšana“.)

Hozelock Cyprio Clearwater garantija

Ja Cyprio Bioforce Revolution tiek izmantots kopā ar piemērotu sūkni, MĒS GARANTĒJAM TĪRU ŪDENI VAI ATDOSIM JUMS ATPAKAĻ NAUDU. Šī garantija ir spēkā 12 mēnešus pēc iegādes datuma, ja:

- ievēroti norādījumi par uzstādīšanu un izmantošanu;
- izmantots pareiza izmēra aprīkojums atbilstoši informācijai par Hozelock Cyprio izmēriem;
- pietiekami savlaicīgi notikusi vēršanās pie palīdzības dienesta darbiniekiem (tāl. 0121 313 1122), lai varētu novērst problēmas;
- atdota atpakaļ nebojāta ierīce.

Naudas atmaksu var apstiprināt tikai Hozelock Cyprio un tikai iegādes vietā un filtra iegādes cenas apmērā. Lūdzu, ņemiet vērā, ka šī Tīra ūdens garantija neattiecas uz ūdens dzidruma

zudumu, ja tā cēlonis ir nevis zaļūdens aļģes, bet zaļalģes (Cladophora glomerata).

Hozelock Cyprio 2 gadu garantija

Ja šī Bioforce Revolution ierīce (atskaitot lampu) ir kļūvusi neapkalpojama 2 gadu laikā pēc iegādes datuma, tā, pēc mūsu ieskatiem, tiks bez maksas salabota vai nomainīta, ja vien mēs neuzskatīsim, ka tā ir tikusi sabojāta. Mēs neuzņemamies atbildību par bojājumu negadījuma un nepareizas uzstādīšanas vai izmantošanas rezultātā. Atbildība ir ierobežota ar bojātās ierīces nomaiņu. Šī garantija nav nododama citiem. Tā neietekmē jūsu likumīgās tiesības. Lai izmantotu garantijas nodrošinātās priekšrocības, vispirms sazinieties ar Hozelock Cyprio klientu apkalpošanas dienestu (tāl. (0121 313 1122), kas var pieprasīt, lai ierīce kopā ar pirkuma pierādījumu tiek nosūtīta tieši uz tālāk norādīto adresi.

Kontaktinformācija / Rezerves daļas

www.hozelock.com

Tehniskie dati

Daļas numurs	1352	1353	1354
Izstrādājums	Bioforce Revolution		
Volti (V)	230V 50Hz		
UV-C jauda (W)	18	24	36
Maksimālais dīķa tilpums ar zivīm	6 000 l (1 320 gal.)	9 000 l (1 980 gal.)	14 000 l (3 080 gal.)
Maksimālais dīķa tilpums bez zivīm	12 000 l (2 640 gal.)	18 000 l (3 960 gal.)	28 000 l (6 160 gal.)
Hozelock Cyprio Aquaforce sūkņa maks. izmērs (l/h)	4000	6000	8000
Maks. plūsma, QMax, (l/h)	3000	4500	7000
IP vērtējums	IP57	IP57	IP57
Maks. ūdens temperatūra Tmax., (°C)	35°C	35°C	35°C
Bioforce Revolution tīrīšanas sistēma	✓	✓	✓

* Mērījums veikts kontrolētos apstākļos.



Neatbrīvojieties no elektriskajām ierīcēm kā no nesašķīrotiem māsaiemniecības atkritumiem. Izmantojiet īpašus atkritumu savākšanas punktus. Noskaidrojiet informāciju par pieejamajiem vietējiem atkritumu savākšanas veidiem vietējā pašvaldībā. Elektriskās ierīces izmetot pildzīgāztuvēs vai izgāztuvēs, var noplūst un nonākt gruntsūdenī bīstamas vielas, tālāk nonākot pārtikas ķēdē un apdraudot jūsu veselību un labklājību. Eiropas Savienībā, aizstājot vecās sadzīves iekārtas ar jaunām, mazumtirgotājam ir jāpilda ar likumu noteiktis pienākums pieņemt atpakaļ veco iekārtu bez maksas.

LIT

Dēkojame, kad pasirinkote kroybišką „Hozelock“ gaminį: užtikriname, kad šis gaminys veiks patikimai.

- a Elektrinis korpusas.
- b Dangčio blokas.
- c UV lempos indikatoriaus lęšis.
- d Valymo rankelos rankenęlę.
- e Valymo rankena.
- f Nukreipimo sklendę.
- g Valymo pirštai (geltoni).
- h UV gaubtas.
- i Porolono kibiras.
- j „Cypricube“ porolonas.
- k Biologinę terpę.
- l Bako sandarinimo žiedas.
- m Filtro bakas.
- n Dangčio spaustukas.
- o Biologinęs terpęs žiotys.
- p Žarnos antgalis ir veržlę.
- q Svirtis.

ĮRENGIMO IR NAUDOJIMO INSTRUKCIJA



PRIEŠ ĮRENGDAMI, ATIDŽIAI PERSKAITYKITE ŠIĄ INSTRUKCIJĄ.

NESILAIKANT TOLIAU NURODYTŲ ĮSPĖJIMŲ, GALIMA SUSIŽEISTI, SUGADINTI GAMINĮ ARBA IŠNAIKINTI ŽUVIS.

NEIŠMESCITE ŠIOS INSTRUKCIJOS – JOS JUMS DAR GALI PRIREIKTI.

Šis filtravimo įrenginys „Hozelock Cyprio Bioforce Revolution“ – tai nauja, lengvai prižiūrima sodo tvenkinių vandens filtravimo koncepcija.

Jis yra:

- kompaktiškas ir veiksmingas
- lengvai įrengiamas
- lengvai valomas ir prižiūrimas
- naudojamas beveik bet kur

Naudojamas su tinkamu tvenkinio siurbliu, jis padidins vandens skaidrumą, pašalins iš tvenkinio nepageidaujamas kietąsias medžiagas, o ištirpusias organines ir chemines žuvis atmatas pavars nekenksmingais junginiais.

Dėmesio: perspėjimas dėl UV

Šiame prietaise yra UV-C spinduliai. Nenumatyta naudojant prietaisą arba pažeidus jo korpusą, galite patirti pavojingą UV-C spindulių poveikį. Net maža UV-C radiacijos dozė gali pažeisti akis ir odą. Lempoje įrengtas blokavimo įtaisas, kuris, atidarius elektrinį korpusą, lempą išjungs.

Kai prietaisas yra įjungtas, lempos veikimą parodo melsvai šviečiantis UV indikatoriaus lęšis. Nejunkite gaminio, nepanardinę jo į vandenį.

Įspėjimas: Nebandykite naudoti UV-C spindulio, kai jis yra išimtas iš prietaiso korpuso.

Svarbu

Šio prietaiso nerekomenduojama naudoti asmenims (įskaitant vaikus), turintiems fizinių, jutimo ar psichinių negalių arba neturintiems pakankamai patirties ir žinių, kaip naudotis šiuo prietaisu, nebent juos prižiūrėtų arba su šio prietaiso naudojimu supažindintų už jų saugą atsakingas asmuo. Prižiūrėkite vaikus, kad jie nežaistų su šiuo buitiniu prietaisu. Jeigu šis prietaisas būtų akivaizdžiai apgadintas, jo naudoti negalima.

Įspėjimas: Sauga ir elektros prijungimai

- 1.1 ĮSPĖJIMAS: VISADA IŠJUNKITE ARBA ATJUNKITE NUO ELEKTROS TINKLO VISUS BASEINE ESANČIUS PRIETAISUS PRIEŠ KIŠDAMI RANKAS Į VANDENĮ, KAI ĮRENGINYS YRA MONTUOJAMAS, TAISOMAS, TECHNIŠKAI PRIŽIŪRIMAS ARBA NEŠAMAS.**
- 1.2** Šis filtras skirtas naudoti tik sodų tvenkiniuose. Nenaudokite šio filtro ne pagal paskirtį (t. y. nenaudokite šio filtro plaukimo baseinuose ir pan.). Naudojant šį gaminį ne pagal paskirtį, galima susižaloti arba sugadinti prietaisą.
- 1.3** Akivaizdžiai apgadintų prietaisų naudoti negalima.
- 1.4** Bloko viduje esantis permatomas vamzdelis yra pagamintas iš kvarcinio stiklo: būkite atsargūs, kad jo nesusidaužytumėte, įrengdami ir techniškai prižiūradami prietaisą. Rekomenduojama naudoti akių apsaugą ir tinkamas pirštines.
- 1.5** Filtras „Bioforce Revolution“ yra nepralaidus vandeniui, bet jo nardinti į vandenį negalima. Statykite prietaisą stačią šalia tvenkinio, bet ne toje vietoje, kur jis galėtų įkristi į vandenį arba kur žemė galėtų būti užlieta vandeniui (žr. skyrių „Įrengimas“).
- 1.6 Svarbu:** Šis gaminys pateikiamas su 3 gyslų, 5 m ilgio elektros kabeliu. Su šiuo gaminiu pateiktas kištukas nėra nepralaidus vandeniui: jį privaloma jungti į elektros tinklo lizdą sausame, nepralaidžiamame vandeniui aptvare, atsižvelgiant į galiojančias vietas taisyklės.
- 1.7 ĮSPĖJIMAS:** šį prietaisą PRIVALOMA įžeminti ir būtina, kad sujungimai privalo būti atlikti pagal šį spalvų kodavimą:
 - RUDA - turintis įtampą
 - MĒLYNAS - neutralus
 - ŽALIAS/GELTONAS - įžeminimas.
- 1.8** Matomą kabelį privaloma tinkamai nutiesti ir įkišti į apsauginį armuotą izoliacinį vamzdį, ypač tuo atveju, jei kyla pavojus jį užkliudyti sodo įrenginiais, pavyzdžiui, šakiniais krautuvais arba vejaplovėmis, arba tada, kai su jais gali kontaktuoti vaikai ir naminiai gyvūnai.
- 1.9** Elektros tinkle PRIVALOMA įrengti maks. 30 mA skirtuminės srovės įtaisą (RCD).
- 1.10** Nuolatinis prijungimas prie elektros tinklo (standusis prijungimas laidais), privalo atitikti nacionalinius reglamentus ir vietas elektros prijungimo taisyklės. Jeigu kiltų kokių nors abejonių dėl prijungimo prie elektros tinklo, pasikonsultuokite su kvalifikuotu elektriku arba vietos valdžios atstovu.

- 1.11** Niekada nekelkite filtro už jo maitinimo kabelio arba valymo rankenos, nes jis gali būti sugadintas. Jeigu filtrą reikia perkelti, pirmiausiai gaminį reikia išjungti ir išleisti iš jo vandenį. Paskui pakelkite gaminį už suėmimo vietas – ten, kur dangtis yra prispaustas prie pagrindinio bako.
- 1.12** Niekada nesėskite ant valymo rankenos ir nesiremkite į ją! (4 pav.).
- 1.13** Niekada nekeikite filtro už valymo rankenos. Įrenginį visada neškite abejomis rankomis tvirtai suėmę už dangčio lanko (5 pav.).
- 1.14** Nenaudokite šio gaminio, keigu jo maitinimo kabelis yra kaip nors pažeistas. Maitinimo kabelio pakeisti negalima. Jeigu kabelis būtų pažeistas, elektrinį korpusą privaloma išmesti atsižvelgiant į galiojančius vietas įstatymus.
- 1.15** Nenaudokite šio filtro, kai jis nėra panardintas į vandenį.
- 1.16** Neužkimškite išleidimo angų, kai filtras veikia.
- 1.17** Jeigu įrenginys nebus naudojamas kiaušius metus, saugokite jį nuo šalčio. (Žr. skyrių „Prižiūra žiemą“).
- 1.18** Saugokite filtrą nuo tiesioginių saulės spindulių.
- 1.19** Šio gaminio negalima naudoti aukštesnės nei 35 °C arba žemesnės nei 0 °C temperatūros vandeniui filtruoti.
- 1.20** Naudokite tik specialiai šiam gaminiui skirtus priedus. Naudojant bet kokius kitus priedus arba atsargines dalis, šio gaminio garantija nebegalios.

Indications d'ordre général

- 2.1** Kitoje pusėje esančioje techninės informacijos lentelėje pateikta bendroji informacija apie šio filtro specifikacijas ir rekomenduojamą naudoti siurbį. Visgi, norint pasiekti geriausių rezultatų, reikia atsižvelgti į kelis kitus sąlyginius veiksnius, mat jie mažina filtro veiksmingumą.
 - **Tvenkinio gylis:** „Hozelock Cyprio“ rekomenduoja, kad minimalus dekoratyvinio tvenkinėlio gylis būtų 1,2 m (4 pėdos). Tvenkinio, kurio vidutinis gylis yra mažesnis nei 0,75 m (2 pėdos 6 coliai), sąlyginis veiksnys yra + 25 %. Sekliuose tvenkiniuose saulės šviesa visiškai prasišverbia pro vandenį ir greitai jį išdilo. Tai skatina dumblių augimą.
 - **Vieta:** Tvenkinio įrengimo vieta apsprendžia, kiek tvenkinio vanduo kasdien bus apšviestas saulės šviesos arba bus šešėlyje. Tvenkiniui, kaiurią dieną visiškai neapsaugotų nuo saulėkaitos, sąlyginis veiksnys yra +25 %.
 - **Klimatas:** Klimatas turi poveikio vandens temperatūros ir žuvų aktyvumo santykiui/šėrimo reikalavimams. Kuo žuvis aktyvesnės, tuo didesni reikalavimai taikomi filtravimo sistemai. Karšto klimato zonoje (t. y. Pietų Afrikoje) sąlyginis veiksnys siekia +35 %. Vidutinio klimato zonoje (t. y. Pietų Europoje) sąlyginis veiksnys yra +15 %. Šiaurės Europos klimato zonoje (t. y. daugelyje Didžiosios Britanijos vietų) sąlyginis veiksnys yra +0 %.
- PAVYZDYS:** Turite 2 200 litrų tūrio, 0,75 m gylio tveninį su ausiniais karosais (sąlyginis veiksnys +25 %). Jūs gyvenate Londone – Šiaurės Europos klimato zonoje (sąlyginis veiksnys +0 %). Tvenkinys visiškai

neapsaugotas nuo saulės šviesos (+25 %). Todėl veiksmingas tvenkinio tūris padidėna 50 % (25 % + 25 %) ir jums reikėtų tokio įrenginio, kuris būtų tinkamas 3 300 litrų tvenkiniui.

- 2.2 Vandens srauto greitis:** Norint pasiekti geriausių rezultatų, tvenkinio tūris turėtų praeiti pro „Bioforce Revolution“ kas 1½–2½ val.; greičiausias srautas rekomenduojamas dekoratyviniams tvenkiniams. Neviršykite maksimalaus srauto greičio, nurodyto kitoje pusėje esančioje techninės informacijos lentelėje. Jeigu norite, kad tvenkinio vanduo būtų skaidrus, svarbiausia – tinkamas srauto greitis. Jeigu jūsų instaliacijoje nėra didelių nuostolių (t.y. jungiamoji žarna nėra labai ilga), srautą gali pririnkti pareguliuoti, naudojant srauto kontrolės žarnos čiaupą, kad vandens kaita būtų užtikrinta kas 1½ - 2½ val.

Mažo skersmens žarna, per ilgą žarna ir aukšta pumpavimo patvanka („išstaka“) taip pat gali ženkliai sumažinti siurblio našumą. Rekomenduojame išsirinkti siurbli, kuris užtikrina reikiamą srautą atsižvelgiant į visiškai statinę patvanką (= vertikali atstumą tarp tvenkinio paviršiaus ir filtro įvado), pridėjus 0,6 m (2 pėdas) žarnose susidarančios trinties nuostoliams kompensuoti.

Filtravimo tikslas – tvenkinyje esančias atliekas surinkti į filtrą, todėl bet koks kartu naudojamas siurblys privalo sugebėti praleisti kietąsias daleles, pavyzdžiui, „Hozelock Cyprio“ „Aquaforce“ serijos siurbliai, kurie yra specialiai skirti tvenkiniams, kuriems pagal dydį tinka naudoti filtrą „Bioforce Revolution“. Siurblių reikėtų nuleisti į giliausių tvenkinio vietą, kad būtų užtikrinta geriausia tvenkinio vandens cirkuliacija ir kietosios dalelės surenkamos maksimaliai. Siurblių reikėtų įrengti ant plokščio, lygaus pagrindo, pakelto nuo tvenkinio dugno 300 mm. Tuomet siurblys nesiurbs tiesiai ant tvenkinio dugno esančio purvo ir, jeigu tvenkinio vanduo netyčia nutekėtų, užtikrins, kad tvenkinyje liks pakankamas kiekis vandens.

Kaip patikrinti srauto greitį: Paimkite indą, kurio talpą žinote ir žinote, per kiek laiko jį galima pripildyti (sekundėmis). Tada padalykite sekundžių, per kurias indą galima pripildyti, skaičių iš 3 600 ir padauginkite iš indo talpos (litrai arba galonais). Gausite srauto greitį litrais arba galonais per valandą (lph arba gph).

- 2.3 Veisiamų žuvų tankis (didžiausias kiekis, kurį galima veisti):** Įprastomis sąlygomis, esant įprastam šėrimo režimui, „Bioforce Revolution“ filtrai pajėgūs apdoroti iki 50 cm žuvų /1 000 litrų (10 pėdų žuvų / 100 galonų) tvenkinio tūrio. Po truputį suleiskite žuvis per pirmąsias kelias savaites, iki 20 % maksimalaus rekomenduojamo lygio, ir, jeigu norite, po šešių mėnesių padidinkite jį iki 50 %. Esant šiam balansui, po kiek laiko žuvų tinkamai padaugės.
- 2.4 Ligų gydymo priemonės:** Kai kurie vaistiniai preparatai / gydymo priemonės dėl UVC spindulių gali greitai gesti. Naudojant ligų gydymo priemones, filtrą reikėtų išjungti. Mechaninis ir biologinis filtravimas bus tęsiamas toliau.

Jeigu valote tvenkinyje užaugusius siūlinius dumblis (mauragimbes), valymo metu ir tol, kol siūlinius dumblis iš tvenkinio pašalinsite, siurbli ir filtrą išjunkite.

- 2.5** Reikia tinkamai pasirūpinti visais žarnų sujungimais, mat nuotėkių atveju tvenkinyje sumažės vandens.

Įrengimas

- 3.1 Svarbu:** nenaudokite siurblio su „Bioforce Revolution“ serijos filtrais, jeigu srauto greitis yra didesnis nei 8 000 lph, arba kai maksimali patvanka viršija 5 m.
- 3.2 Svarbu:** Filtras „Bioforce Revolution“ privaloma įrengti tik vertikaliaje padėtyje (6 pav.).
- 3.3** Filtrai „Bioforce Revolution“ – tai siurbliais varomi slėginių išorinių filtrų ir UVC blokai, kurie yra įrengiami prie tvenkinio ant žemės (7 pav.), įkasami (8 pav.) arba paslepiami krioklio viršuje.

Jeigu filtrą nuspręstumėte įrengti ant žemės, jį statykite ant lygaus paviršiaus.

Jeigu filtrą nuspręstumėte dalinai įkasti, duobę reikia tinkamai užkasti, sutankinant smėlį, kad įrenginys būtų įtvirtintas. Jeigu pasirinktumėte šio tipo įrengimą, tarp spaustuko iki žemės paviršiaus lygio privaloma palikti 50 mm tarpą, užtikrinant, kad prietaisą galima būtų lengvai išimti kasmetinei techninei priežiūrai.

- 3.4** Naudojant mažo vidinio skersmens žarnas, ženkliai suvaržomas vandens srautas. Kuo didesnio skersmens žarną naudosite, tuo geriau veiks filtras, ypač tuo atveju, jeigu reikia naudoti ilgą žarną. Su šiuo prietaisu pateiktas žarnos antgalis prikaitytas 25 mm (1 col.), 32 mm (1¼ col.) arba 40 mm (1½ col.) skersmens „Cypriflex“ žarnai. Siekiant išvengti vandens srauto suvaržymo, filtrams „Bioforce Revolution“ visada rekomenduojame naudoti 40 mm skersmens žarną.

Išsirinkę žarnos, kurią norite naudoti, skersmenį, nupjaukite tas žarnos antgalio dalis, kurios yra mažesnės už žarnos skersmenį, kad nubūtų srauto suvaržymo (9 pav.).

Norint užtikrinti optimalią vandens cirkuliaciją, siurbli, kuris tiekia vandenį į filtrą, ir tvenkinio grįžtamąsias žarnos išvadą reikėtų įrengti kuo toliau vieną nuo kito, todėl atkreipkite į tai dėmesį, pirkdami, matuodami ir nupaudami „Cypriflex“ žarną.

Reikiamo ilgio žarna sujunkite teikimo siurbli ir filtro įvadą (10 (i) pav.), pritvirtindami žarną prie žarnos antgalio „Hozelock Cyprio“ žarnos spaustukais (įsigijamais atskirai). Paskui tokiu pat būdu prijunkite tinkamo ilgio žarną prie filtro išvado (10 (ii) pav.). Išsamiau apie atliekų išvadą (10 (iii) pav.) skaitykite skyriuje „Valymas“.

Dėkite siurbli į tvenkinį tinkamoje vietoje ir nustatykite išvadą žarnos galą taip, kad filtruotas vanduo būtų grąžinamas į tvenkinį.

Nutiesdami žarnas, stenkitės jų neužlenkti ir nesuraizgyti. Žarnos turi būti kaip įmanoma trumpesnės, kad srautas būtų suvaržytas minimaliai.

- 3.5** Sukimo ranka būtinai turi būti nustatyti virš elektros korpuso. Paimkite pateiktą sukimo rankenos rankenėlę bei dangtelį ir prijunkite ją prie valymo rankenos, uždėdami ją ant rankenos ir tinkamai užspausdami (11 pav.).

Jūsų filtras paruoštas naudoti.

Naudojimas

- 4.1** Nukreipkite sklendė būtinai turi būti pasukta į tvenkinio išvadą (12 pav.).
- 4.2** Prijunkite filtro maitinimo laidą (žr. 1 skyrių – „Sauga

ir elektros prijungimai“). Uždegama UVC lempa. Jeigu lempa veikia, viršutiniame korpusė mėlynai šviečia UV lempos indikatorius lėšis (1 (c) pav.).

4.3 Įjunkite siurblij.

4.4 **Naudojimo laikotarpiai:** Filtras naudojamas 24 val. per parą. Būtų idealu, jeigu jis būtų naudojamas kiaušius metus arba bent jau per žuvų šėrimo sezoną (t. y. kol vandens temperatūra nenukrenta žemiau 10 °C). Naudojant siurblij ir filtrą žiemą, filtrė „Bioforce“ palaikomas bazinis naudingų bakterijų lygis ir tvenkinys apsaugomas nuo užšlėimo. Jeigu siurblij žiemai norite išjungti, prieš vėl paleisdami filtravimą pavasarį, filtrą kruopščiai išplaukite (žr. 11.0 skyrių „Saugojimas žiemą“). Niekada nešerkite žuvų tuo metu, kai filtras nenaudojamas.

Subrendimas

5.1 5.1 Biologinis subrendimas reiškia, kad filtrė susidarė pakankamai nitrinancių bakterijų, kad kenksmingos žuvų ir kitos organinės atliekos (t. y. amoniakas, nitritai) būtų paverstos santykinai nekenksmingais nitratais. Šis procesas paprastai trunka 6–8 savaites, bet priklauso nuo daugelio veiksnių, pavyzdžiui, vandens temperatūros, šėrimo dažnumo ir žuvų kiekio. Pagreitininkite subrendimą, pridėdami kokios nors brandinimo medžiagos, pavyzdžiui, „Hozelock Cyprio Filter Start“.

Valymas

Valandit filtrą „Bioforce Revolution“.

Filtrai „Bioforce Revolution“ užtikrina maksimalų našumą ir reikalauja minimalios techninės priežiūros. Jeigu tvenkinys labai nešvarus, pradžioje filtrą gali tekti valyti kas kelias dienas, nes jis labai greitai surenka atliekas. Kai tik tvenkinys taps švaresnis, jame šalintinių atliekų sumažės ir filtrą reikės valyti rečiau. Slėginiai filtrai veiksmingiausiai veikia tada, kai porolonas dalinai užsikemša. Visgi užsikimšimui padidėjus, srauto greitis sumažėja ir pro poroloną prateka mažiau vandens – tada filtrą būtina išvalyti.

6.1 Atjunkite siurblij nuo elektros tinklo.

6.2 Naudojant pateiktą žarnos atgalį ir žarnos spaustuką, prijunkite tinkamo ilgio žarną prie atliekų šalinimo išvado (10 (iii) pav.). Atliekų šalinimo žarnos galą galima nustatyti virš kanalizacijos vamzdžio arba nukreipti į gėlių lysvę. Nutekamas vanduo yra puiki trąša.

6.3 Pasukiokite rankeną kelis kartus. Rekomenduojame atlikti po kelis pasukimus pagal ir prieš laikrodžio rodyklę (13 pav.). Sukant rankeną, geltoni valymo pirštai (2 (g) pav.) suksis, išskirstydami ir suspausdami kiekvieną porolono kubelį, pašalindami juose susikaupusį purvą.

6.4 Pasukite nukreipimo sklendę į atliekų šalinimo padėtį (14 pav.). Išgirsite spragtelėjimą.

6.5 Įjunkite siurblij.

6.6 Toliau sukiokite rankeną (iki galo sukdami ją abejomis kryptimis). Pradžioje nutekamas vanduo bus ryškiai žalios arba rudos spalvos, priklausomai nuo tvenkinio įrengimo.

Neilgai trukus nutekamojo vandens spalva praras intensyvumą ir vanduo ims skaidrėti. Tada liaukitės sukiojė rankeną ir sugrąžinkite ją į pradinę padėtį virš

pagrindinio korpuso (15 pav.).

Palaukite 5 sekundes, kol bus išsprautas paskutinės atliekų dalėlės, tada pasukite nukreipimo sklendę atgal į tvenkinio padėtį.

ĮSPĖJIMAS: palikus sklendę atliekų šalinimo padėtyje, tvenkinys bus nusaustintas. Būtinai perjunkite ją atgal į tvenkinio išvadą.

6.7 Filtrui išvalyti reikiamas laikas priklauso nuo kelių veiksnių, bet nuo reguliariau valysite filtrą, tuo mažiau laiko prireiks jį išvalyti. Paprastai valymas trunka kelias minutes.

Retkarčiais į tvenkinį reikės pripilti daugiau vandens, kad būtų kompensuotas valant iš jo išleistas nešvarus vanduo. Dalinis vandens pakeitimas – svarbus sveikos tvenkinio vandens sistemos palaikymo aspektas.

Techninė priežiūra

Įspėjimas: Prieš naudodami šį prietaisą, perskaitykite jo technines priežiūros instrukciją.

Įspėjimas: nebandykite nuimti dangčio arba elektrinio korpuso, kai siurblys ir filtras yra naudojami. Siekiant apsaugoti nuo netyčinio atidarymo, dangčio spaustuke įrengta skylė spynai pakabinti; rekomenduojame ją naudoti tuo atveju, jeigu namuose yra vaikų.

7.1 UV lempos keitimas:

Įspėjimas: Prieš atjungiant UVC spinduolį, prietaisą privaloma atjungti nuo elektros tinklo.

Laikui bėgant UV lempos veiksmingumas ženkliai sumažėja, todėl šią lempą reikėtų keisti kas 12 mėnesių net ir tuo atveju, jeigu ji vis dar veikia.

7.1.1 Atjunkite elektros tiekiamą siurbliui ir filtrui.

7.1.2 Pasukite nukreipimo sklendę į atliekų šalinimo padėtį. Tuomet vidinis slėgis susivienodins su atmosferos slėgiu ir elektrinį korpusą galima bus lengvai nuimti, nes ant dangčio viršutinio paviršiaus nepateks vandens.

7.1.3 Pasukite valymo rankeną puse pasukimo, kad ji būtų patraukta nuo elektrinio korpuso ir netrukdytų jį nuimti (16 (i) pav.).

7.1.4 Atsuktuvu išsukite 5 varžtus, kuriais elektrinis korpusas yra pritvirtintas prie dangčio. (16 (ii) pav.). Tarp filtro įvado ir išvado įrengta išėma, kurioje keičiant lempą galima sudėti varžtus (16 (iii) pav.).

7.1.5 Suimkite už elektrinio korpuso ir atsargiai patraukite jį aukštyn, kad jį nuimtumėte. Apverskite korpusą ir padėkite jį apverstai ant sauso, lygaus paviršiaus.

7.1.6 17 pav. Atsukite kvarcinį vamzdį fiksuojantį riebokšlį (i). Atsargiai suėmę už kvarcinio vamzdžio (ii), patraukite jį aukštyn ir nuimkite kartu su jo sandarinimo žiedais (iii) bei fiksavimo riebokšliu.

7.1.7 Išimkite seną lempą, atsargiai ištraukdami ją iš jos laikiklio, ir nuo lempos galo nuimkite juodą apsauginį gaubtą (17 (iv) pav.) bei atšvaito plokštelę (17 (v) pav.). Išmeskite seną lempą, atsižvelgdami į galiojančius vietas įstatymus; įdėkite naują lempą.

7.1.8 Vėl įtaisykite atšvaito plokštelę ir ant lempos galo užspauskite juodą gaubtą.

7.1.9 Užmaukite ant lempos kvarcinį vamzdį. Du ant kvarcinio vamzdžio dedami sandarinimo žiedai, būtinai turi būti švarūs, nesutepti.

7.1.10 Ant kvarcinio vamzdžio užmaukite fiksavimo riebokšlį ir

užsukite jį. Sukite fiksavimo riebokšlį tol, kol jis atsirems į korpuso stabdiklį ir riebokšlio daugiau pasukti nebegalėsite.

7.1.11 Uždėkite elektrinį korpusą. Korpusą galima įtaisyti tik vienoje padėtyje, todėl jį uždėdami nebandykite naudoti jėgos. Tinkamai uždėję, vėl įsukite 5 varžtus. Varžtus privaloma užveržti iki galo, kad būtų suaktyvintas blokavimo jungiklis.

7.1.12 Pasukite nukreipimo sklendę atgal į tvenkinio padėtį ir nustatykite valymo rankeną į pradinę padėtį.

7.1.13 Vėl įjunkite siurblių, pirma patikrinę, ar nėra nuotėkių, o tada įjunkite UV lempą. Patikrinkite, ar šviečia melsvi UV indikatorius lęšiai.

7.2 UV kvarcinio vamzdžio priežiūra:

UV lempos kvarcinio vamzdžio apkalą gali pasidengti kalkių nuosėdomis, ypač tose vietovėse, kur vanduo yra kietas. Leidus joms kauptis, įrenginio veiksmingumas sumažės. Norėdami jas nuvalyti, išjunkite siurblių, atjunkite elektros tiekimą į UV lempą, nuimkite elektrinį korpusą kaip aprašyta 7.1 skyriuje ir nuvalykite kvarcinį vamzdį minkštu skudurėliu, sudrėkintu švelnia valymo priemone, pavyzdžiui, actu (žr. 18 pav.). Valant kvarcinį vamzdį, reikėtų naudoti apsaugines priemones, pavyzdžiui, apsauginius akinius ir pirštines.

7.3 Porolono „Cypricube“ keitimas:

Kasmet patikrinkite poroloną. Porolono keitimo dažnis priklauso nuo tvenkinio įrengimo. Porolono dalis rekomenduojame pakeisti žiemos metu ir pavasario pradžioje, prieš pradėdant šerti žuvis*. Keičiant poroloną kitu metų laiku, gali pakisti tvenkinio cheminė sudėtis, o tai gali pakenkti jūsų žuvimis.

*Kadangi tvenkinio vanduo rudenį atšąla, žuvis aptingsta, pasiruošdamas dalinio įmigio laikotarpiui. Sulėtėja jų virškinimo ir imuninės sistemos veikla, jos nesugeba suvirškinti tos rūšies pašaro, kuriuo jos mito šiltais mėnesiais. Išalkę, jos mis paprastesniu maistu, natūraliai randamu tvenkinio aplinkoje. Todėl tvenkinio vandens temperatūrai ilgesniam laikui nukritus žemiau 10 °C, turėtumėte liautis šerę žuvis. Pavasario pradžioje orui pradėjus šilti, žuvis suaktyvėjus, galite palaipsniui vėl pradėti jas šerti.

7.3.1 Atjunkite elektros tiekimą siurbliui ir filtrui.

7.3.2 Pasukite nukreipimo sklendę į atliekų šalinimo padėtį. Tuomet vidinis slėgis susivienodins su atmosferos slėgiu ir dangtį galima bus lengvai nuimti.

7.3.3 Atkabinkite dangčio spauستuką (2 (n) pav.). Atsargiai atkabinkite priešingose pusėse esančias svirtis ir nuimkite dangtį (19 pav.). Būtų patogiau, jeigu atjungtumėte prijungtas žarnas.

7.3.4 Iškelkite bei išimkite porolono kibirą (2(i) pav.) ir išmeskite seną poroloną. Išpilkite vandenį iš filtro bako, biologinę terpę surinkdami į tinklėlį. Biologinei terpei jokios priežiūros atlikti nereikia.

7.3.5 Jeigu bako dugnas yra padengtas dumblo sluoksniu, išplaukite bako dugną tvenkinio vandeniu.

7.3.6 Pakeiskite biologinę terpę, užtikrindami, kad ji būtų išdėstyta aplink biologinės terpės žiotis (2(o) pav.) bako dugne. Biologinės terpės neturi būti biologinės terpės žiočių viduje (20 pav.).

7.3.7 Įdėkite porolono kibirą į baką. Sukite porolono kibirą, kol porolono kibiro viršuje esantys maži trikampiukai

bus sutapdinti su viena iš vertikalių linijų, esančių filtro bako viduje (21 pav.). **Porolono kibiras užsifiksuos. Porolono kibiras būtinai turi būti tinkamai įdėtas, kad galima būtų lengvai dangtį.**

7.3.8 Pridėkite į porolono kibirą rekomenduojamą kiekį keičiamojo „Cypricube“ porolono. Nesijaudinkite, jeigu nauji sausi porolono kubeliai, kol jie dar nauji, užims šiek tiek daugiau vietos. Užtikrinkite, kad pro centrinę angą į biologinės terpės žiočių zoną nepatektų porolono.

Niekada nesuspauskite porolono, norėdami jo pridėti daugiau. Sausų poroloną reikia pridėti laisvai, nespaudžiant; jo neturi būti daugiau nei iki filtro bako kraštų (22 pav.). Pridėjus per daug porolono, bus sunkiau išvalyti filtrą.

7.3.9 Patikrinkite filtro bako viršuje esantį sandariklį (2(l) pav.), ar jis tinkamai uždėtas, švarus, nesuteptas. Jeigu reikia, montuodami šiek tiek patepkite sandariklį plonu silikoninio telapo sluoksniu. Uždėkite dangtį. Pro centrinę skylę įkiškite centrinį juodą vamzdį, kuris dengia UV lempą.

7.3.10 Uždėkite dangčio spauستuką. Patikrinkite, ar po dangčio spauستuku nėra vandens; atlenkiama svirtis privalo būti patepta alyvos pagrindo tepalu.

7.3.11 Pasukite nukreipimo sklendę atgal į tvenkinio padėtį ir nustatykite valymo rankeną į pradinę padėtį.

7.3.12 Vėl įjunkite siurblių, pirma patikrinę, ar nėra nuotėkių. Paskui įjunkite UV lempą. Patikrinkite, ar šviečia melsvi UV indikatorius lęšiai.

Saugojimas žiemą

8.1 Esant šaltam žiemos orui (kai žuvis yra neaktyvios ir dumblių augimas liaujasi), įrenginį galima išjungti. Tada jį reikia išimti, kruopščiai išplauti, išvalyti ir nusausinti bei laikyti sausoje, nuo šalčio apsaugotoje vietoje. Įrenginį visada laikykite nuėmę jo dangtį, kad būtų užtikrinta tinkama jo ventilacija ir džiovinimas.

Trikčių šalinimas / DUK

Problema	Galima priežastis	Atitaisymo būdas
Pro filtrą į tvenkinį neteka vanduo.	Nejungtas arba neveikia siurblys.	Patikrinkite, ar siurblys veikia ir ar jis įjungtas.
	Užsikimšusi tiekimo žarna.	Patikrinkite, ar neužsikimšusios tiekimo ir tvenkinio grįžtamoji žarnos.
Per mažas pro filtrą pratekančio vandens srautas	Nukreipimo sklendė nustatyta į „atliekų šalinimo“ padėtį.	Nustatykite nukreipimo sklendę į „tvenkinio“ padėtį.
	Užsikimšę porolono kubeliai.	Išvalykite filtrą (žr. „Valymas“).
	Užsikimšusi tiekimo žarna.	Patikrinkite, ar neužsikimšusios tiekimo ir tvenkinio grįžtamoji žarnos.

Problema	Galima priežastis	Atitaisymo būdas
Vanduo neskaidrus	Naujas filtras dar „nesubrendo“.	Tvenkinio vanduo turėtų pradėti skaidrėti po 2–3 savaitių, bet, kol filtras taps maksimaliai veiksmingas ir pasieks biologinį subrendimą, gali praeiti 6–8 savaites.
	Naudojate savo tvenkiniui netinkamo dydžio filtrą.	Įsitikinkite, ar naudojate savo tvenkiniui tinkamą filtrą.
	Netinkamos galios tiekimo siurblys.	Patikrinkite srauto greitį. Žr. 2.2 skyrių.
	Perdegė UV lempa.	Patikrinkite UV indikatoriaus lešius. Pakeiskite UV lempą.
	Sena UV lempa.	UV lempą keiskite kas 12 mėnesių.
	Reikia pakeisti porolono kubelius.	Išvalykite filtrą (žr. „Valymas“).
	Tvenkinio grįžtamasis žarnos išvadas nustatytas virš tiekimo siurblio.	Patraukite siurbį arba tvenkinio grįžtamasis žarnos išvadą, kad jie būtų kuo toliau vienas nuo kito.
	Tvekinyje priveista per daug žuvų.	Sumažinkite tvenkinyje esančių žuvų kiekį.
	Peršėrimas.	Žuvis šerkite tik tiek, kad pašaras galėtų būti suėstas per kelias minutes. Šerkite tik vieną kartą per dieną.
Nesisuka valymo rankena.	Pradėjus valymą, veikia siurblys.	Išjunkite siurbį. Pasukiokite rankeną kelis kartus abejomis kryptimis. Įjunkite siurbį (žr. skyrių „Valymas“).

„Hozelock Cyprio Clearwater“ garantija

MES GARANTUOJAME SKAIDRŲ TVENKINIO VANDENĮ, ANTRAIP GRAŽINSIME PINIGUS už filtrą „Hozelock Cyprio Bioforce Revolution“ (su sąlyga, kad jis buvo naudojamas su tinkamu siurbliu). Ši garantija galioja 12 mėnesių nuo pirkimo datos, su sąlyga, kad:

- Įrengdami prietaisą, jūs vadovavotės įrengimo ir naudojimo instrukcija.
- Jūs naudojate tinkamo dydžio įrenginį, atsižvelgdami į „Hozelock Cyprio“ pateiktą informaciją apie dydžius.
- Tinkamu metu jūs skambinate mums pagalbos linijos telefonu (0121 313 1122), kad galima būtų išspręsti bet kokias kilusias problemas.
- Gaminys gražinamas nesugadintas.

Leidimą grąžinti pinigus gali duoti tik „Hozelock Cyprio“; jie gražinama tik pirkimo vietoje; gražinama tik už filtrą sumokėta suma. Atkreipkite dėmesį, kad garantija „Clearwater Guarantee“ negalioja, kai vanduo praranda skaidrumą dėl Cladophora dumblių (angl. Blanket Weed), o ne dėl vandens žaliavimo, sukkelto gėlavandenių vienląsčių žaliųjų dumblių (angl. Greenwater Algae).

„Hozelock Cyprio“ 2 metų garantija

Jeigu šis „Bioforce Revolution“ (išskyrus lempą) taptų netinkamas naudoti per 2 metus nuo jo pirkimo datos, jis bus nemokamai pataisytas arba pakeistas nauju mūsų nuožiūra, nebent mūsų nuomone jis būtų sugadintas. Garantija negalioja žalai, patirtai dėl nelaimingo atsitikimo, netinkamos instaliacijos arba naudojimo. Garantinis įsipareigojimas apsiriboja sugedusio įrenginio pakeitimu. Ši garantija nėra perduodama kitam savininkui. Ji neturi įtakos jūsų nustatytoms įstatymo teisėms. Norėdami pasinaudoti šios garantijos privalumais, pirmiausiai kreipkitės į „Hozelock Cyprio“ klientų aptarnavimo skyrių (tel. (0121 313 1122), kuris gali paprašyti tiesiogiai atsiųsti įrenginį kartu su pirkimą įrodančiu dokumentu toliau nurodytu adresu.

Kontaktiniai duomenys / atsarginės dalys

www.hozelock.com

Techninė informacija

Dalies numeris	1352	1353	1354
Ribos	Bioforce Revolution		
Voltai (V)	230V 50Hz		
UVC galingumas (W)	18	24	36
Maksimalus tvenkinio su žuvimis dydis	6 000 litrų (1 320 galonų)	9 000 litrų (1 980 galonų)	14 000 litrų (3 080 galonų)
Maksimalus tvenkinio be žuvų dydis	12 000 litrų (2 640 galonų)	18 000 litrų (3 960 galonų)	28 000 litrų (6 160 galonų)
Maks. siurblio „Hozelock Cyprio Aquaforce“ galingumas (lph)	4000	6000	8000

Dalies numeris	1352	1353	1354
Maks. srautas, Qmaks., (lph)	3000	4500	7000
IP klasė	IP57	IP57	IP57
Maks. vandens temperatūra Tmaks., (°C)	35°C	35°C	35°C
Valymo sistema „Bioforce Revolution“	✓	✓	✓
* išmatuota pagal kontroliuojamas sąlygas			

INSTRUCIUNI DE MONTARE ȘI UTILIZARE.



CITIȚI CU ATENȚIE INSTRUCIUNILE ÎNAINTE DE MONTARE.

NERESPETAȚEA URMĂTOARELOR NOTE POATE DUCE LA VĂTĂMĂRI CORPORALE, DETERIORAREA PRODUSULUI SAU PIERDEREA PEȘTILOR.

PĂSTRAȚI ACESTE INSTRUCIUNI PENTRU REFERINȚĂ ULTERIOARĂ.

Acest dispozitiv Hozelock Cyprio Bioforce Revolution este un concept nou pentru filtrarea apei cu întreținere ușoară pentru iazuri de grădină.

Acesta este:

- Compact și eficient
- Ușor de montat.
- Ușor de curățat și de întreținut.
- Poate fi amplasat aproape oriunde.

Folosit cu pompa de iaz adecvată, va îmbunătăți limpezimea apei, va elimina materiile solide nedorite din iaz și va converti deșeurile organice și chimice dizolvate de la pești în compuși inofensivi.

Atenție: Atenționare UV

Acest aparat conține un emițător de UV-C. Utilizarea neintenționată a aparatului sau deteriorarea carcasei poate duce la emiterea de radiații UV-C periculoase. Radiațiile UV-C, chiar și în doze mici, pot cauza daune la ochi și piele. Lampa este echipată cu un dispozitiv de interblocare care va opri lampa în cazul în care carcasa compartimentului electric este deschisă.

Când este pornită, funcționarea lămpii poate fi detectată printr-o lumină albastră a matorului luminos UV. Nu lăsați produsul să funcționeze fără apă.

Avertisment: Nu încercați să utilizați emițătorul UV-C atunci când este scos din carcasa aparatului.

Important

Aparatul nu este destinat utilizării de către persoane (inclusiv copii) cu capacități fizice, senzoriale sau mentale reduse sau lipsite de experiență și cunoștințe, cu excepția cazului în care acestea sunt supravegheate și instruite cu privire la utilizarea aparatului de către o persoană responsabilă pentru siguranța lor. Copiii trebuie supravegheați, pentru a vă asigura că aceștia nu se joacă cu aparatul. Dacă acest aparat este deteriorat în mod evident, nu trebuie să fie utilizat.

Avertisment: Siguranță și conexiuni electrice

- 1.1 AVERTISMENT: DECONECTAȚI SAU DECUPLAȚI ÎNTOTDEAUNA TOATE APARATELE DIN IAZ DE LA REȚEAUA DE ENERGIE ELECTRICĂ ÎNAINTE DE A INTRODUCE MĂINILE ÎN APĂ ÎN TIMP CE ECHIPAMENTUL ESTE INSTALAT, REPARAT, ÎNȚEȚINUT SAU MANEVRAT.**
- 1.2** Acest filtru a fost conceput doar pentru utilizare cu iazuri de grădină. Nu utilizați acest filtru pentru nicio altă utilizare (de exemplu, nu utilizați acest filtru în piscine etc.). Utilizarea produsului pentru orice alte aplicații poate duce la vătămări sau deteriorarea



Neișmeskite elektrinių prietaisų kartu su nerūšiuotomis buitinėmis atliekomis; atiduokite juos į specialius surinkimo punktus. Dėl informacijos apie esamas atliekų surinkimo sistemas, kreipkitės į vietos valdžią. Elektrinius prietaisus išmetus į užkasamas atliekų vietas arba sąvartynus, pavojingų medžiagų gali patekti į gruntinį vandenį, paskui į mitybos grandinę, o tada pažeisti jūsų sveikatą bei gerovę. ES šalyse keičiant senus prietaisus naujais, pardavėjai yra teisiškai įsipareigoję bent jau nemokamai surinkti senus prietaisus išmetimui.

RO

Vă mulțumim că ați ales un produs Hozelock de calitate, puteți fi sigur că va avea o funcționare fiabilă.

- a** Carcasă compartiment electric.
- b** Ansamblu capac.
- c** Martor luminos lampă UV.
- d** Pară mâner de curățare.
- e** Mâner de curățare.
- f** Valvă direcțională.
- g** Filtre de curățare (galben).
- h** Manta UV.
- i** Recipient cu burete.
- j** Burete Cypricube.
- k** Mediu biologic.
- l** Garnitură inelară vas.
- m** Vas filtru.
- n** Clemă capac.
- o** Pâlnie cu mediu biologic.
- p** Capăt de furtun și piuliță.
- q** Manetă.

produsului.

- 1.3 Aparatele care sunt deteriorate în mod evident nu trebuie să fie utilizate.
- 1.4 Tubul transparent din interiorul unității este făcut din sticlă de cuarț și montarea și întreținerea trebuie efectuate cu atenție. Vă recomandăm să utilizați protecție pentru ochi și mănuși adecvate.
- 1.5 Filtrul Bioforce Revolution este rezistent la intemperii, dar nu este submersibil. Poziționați unitatea vertical lângă iaz, dar astfel încât să nu cadă în apă sau într-un loc în care solul nu devine îmbibat cu apă (a se vedea secțiunea, "Montarea").
- 1.6 **Important:** Acest produs este furnizat cu cablu electric trifilar de 5 m. Ștecherul livrat împreună cu acest produs nu este rezistent la apă și trebuie să fie conectat la rețeaua de alimentare în interiorul unei incinte uscate ferite de intemperii în conformitate cu reglementările locale.
- 1.7 **AVERTISMENT:** Acest aparat TREBUIE să fie împământat și este esențială realizarea conexiunilor folosind codul de mai jos:
 - MARO - sub tensiune
 - ALBASTRU - neutru
 - VERDE/GALBEN - împământare.
- 1.8 Canalele de cabluri expuse trebuie să fie poziționate și protejate de conducte armate, mai ales în cazul în care există un risc de contact cu echipamente de grădinarit, cum ar fi furci, mașini de tuns iarba sau copii și animale domestice.
- 1.9 Un dispozitiv de curent rezidual maxim de 30 mA (RCD) TREBUIE să fie montat la sursa de alimentare.
- 1.10 Instalațiile permanente la sursa de alimentare (cablaje) trebuie să fie conforme cu reglementările naționale și locale de cablare. În cazul în care aveți îndoieli cu privire la sursa de alimentare, consultați un electrician calificat sau autoritatea de electricitate locală.
- 1.11 Nu folosiți niciodată cablul de alimentare de la rețea sau mânerul de curățare pentru a ridica sau muta filtrul, deoarece acest lucru poate provoca daune. În cazul în care filtrul trebuie să fie mutat, mai întâi, produsul trebuie să fie oprit și golit de apă. Apoi ridicați produsul prin prinderea zonei în care capacul este fixat cu clemă la recipientul principal.
- 1.12 Nu stați și nu vă sprijiniți pe mânerul de curățare! (Fig. 4).
- 1.13 Nu ridicați niciodată filtrul folosind mânerul de curățare. Transportați întotdeauna unitatea cu două mâini apucând ferm marginea capacului (Fig. 5).
- 1.14 Nu puneți în funcțiune filtrul în absența apei.
- 1.15 Nu blocați orificiile de evacuare în timpul funcționării filtrului.
- 1.16 Nu folosiți acest produs dacă sursa de alimentare are un cablu deteriorat în orice mod. Cablul de alimentare nu poate fi înlocuit. În cazul în care cablul este deteriorat, carcasa compartimentului electric trebuie să fie eliminată în conformitate cu reglementările locale.
- 1.17 Protejați de îngheț, dacă unitatea nu va funcționa pe tot parcursul anului. (A se vedea secțiunea, "Îngrijirea în timpul iernii").

1.18 Protejați filtrul de lumina directă a soarelui.

- 1.19 Acest produs nu este adecvat pentru temperaturi ale apei de peste 35°C sau 0°C de mai jos.
- 1.20 Utilizați numai accesoriile care au fost proiectate pentru a fi utilizate cu acest produs. Utilizarea oricăror alte accesorii sau piese de schimb ar putea anula garanția dumneavoastră.

Instrucțiuni generale

- 2.1 Diagrama cu informații tehnice de la pagina următoare oferă instrucțiuni generale cu privire la specificațiile filtrului și pompa recomandată. Cu toate acestea, pentru cele mai bune rezultate, trebuie luați în considerare mulți alți factori de stare, deoarece aceștia reduc capacitățile filtrului.
 - **Adâncime iaz:** Hozelock Cyprio recomandă o adâncime minimă de 1,2 m pentru iazuri cu pești Koi. Pentru un iaz cu o adâncime medie mai mică de 0,75 m, Factorul de stare este de +25 %. Iazurile puțin adânci sunt supuse la pătrunderea completă a luminii soarelui și se încălzesc rapid. Acest lucru incurajează creșterea algelor.
 - **Locație:** Locația iazului determină cantitatea zilnică de lumină solară sau de umbră pe care o primește iazul. Iazurile expuse la lumina solară pe tot parcursul zilei au un Factor de stare de +25 %.
 - **Climă:** Clima afectează temperatura apei și rata de activitate peștilor / cerințele de hrănire. Cu cât mai activi sunt peștii, cu atât mai mari sunt cerințele pentru sistemul de filtrare. În climatele calde (de exemplu, Africa de Sud), Factorul de stare este de +35 % În zonele temperate (de exemplu, Europa de Sud), Factorul de stare este de +15 % În clima nord-europeană (adică majoritatea zonelor din Marea Britanie), Factorul de stare este +0 %.

EXEMPLU: Aveți un iaz cu carași aurii de 2200 litri și adâncime de 0,75 m (Factor de stare +25 %). Locuți la Londra - o climă nord-europeană (Factor de condiție +0 %). Iazul este expus la lumina soarelui (+25 %). Volumul efectiv al iazului, prin urmare, a crescut cu 50 % (25 % + 25 %) și v-ar trebui să dispuneți de echipament pentru un iaz de 3300 de litri.
- 2.2 **Debit:** Pentru cele mai bune rezultate, volumul iazului trebuie să treacă prin Bioforce Revolution la fiecare 1" - 2" ore, cel mai rapid debit fiind recomandat pentru iazuri cu pești Koi. Nu depășiți debitul maxim, după cum se menționează în Diagrama cu informații tehnice de la pagina următoare. Debitul corect este esențial în cazul în care doriți să obțineți apă limpede. Dacă instalația nu suferă pierderi mari (de exemplu, furtunuri lungi), poate fi necesar să reglați debitul pentru a realiza viteza de circulare de 1" - 2" ore cu ajutorul unui robinet de control al debitului.

Furtunurile cu diametre mici, furtunurile inutile de lungi și o înălțime ("diferență de nivel") de pompare mare pot reduce considerabil randamentul pompei. Vă recomandăm să alegeți o pompă care va furniza debitul dorit în funcție de înălțimea statică completă (= distanța verticală între suprafața iazului și intrarea filtrului), plus 0,6 m pentru a permite pierderile de frecțiune în furtunuri.

Obiectul filtrării este de a transfera deșeurile din iaz în filtru, astfel orice pompă utilizată ca parte a pachetului

trebuie să fie capabilă să gestioneze materiale solide, cum ar fi gama Hozelock Cyprio de pompe Aquaforce care au fost special concepute pentru iazuri, în intervalul de mărimi acoperit de Bioforce Revolution. Pompa trebuie să fie poziționată în cea mai adâncă parte a iazului pentru a asigura cea mai bună circulație a apei în iaz și pentru a maximiza capacitatea de gestionare a materialelor solide. Pompa trebuie să fie instalată pe o platformă plană care este ridicată cu 300 mm față de partea de jos a iazului. Acest lucru va preveni aspirarea murdăriei de către pompă direct din partea de jos a iazului și va asigura, de asemenea, că în iaz rămâne apă suficientă, în caz de scurgeri accidentale ale apei din iaz.

Cum se verifică debitul: Luați un recipient cu un volum cunoscut și cronometriți cât timp este nevoie pentru a se umple (în secunde). Apoi, împărțiți 3600 la numărul de secunde necesare pentru a se umple containerul și înmulțiți cu volumul (litri sau galoane) containerului. Rezultatul va fi debitul în litri sau galoane pe oră (l/h sau g/h).

2.3 Densitatea populației de pești: În condiții și regim de hrănire normale, gama Bioforce Revolution va suporta până la 50 cm la 1000 de litri de capacitate a iazului. Introduceți peștii treptat de-a lungul primelor câteva săptămâni, până la 20 % din nivelul maxim recomandat, crescând până la 50 % după șase luni, dacă doriți. Echilibrul va permite creșterea peștilor.

2.4 Tratamentele iazului: Unele medicamente / tratamente se pot degrada foarte repede la radiații UVC. Luați în considerare oprirea filtrului în timpul tratării bolii. Filtrarea mecanică și biologică va continua să funcționeze.

Dacă aplicați heleşteului un tratament contra covorului de alge, opriți pompa și filtrul pe durata tratamentului, până când covorul de alge a fost îndepărtat de pe heleşteu.

2.5 Aveți grijă deosebită la orice conexiuni de furtun, deoarece scurgerile vor duce la pierderea de apă din iaz.

Montarea

3.1 Important: Nu utilizați o pompă cu un debit mai mare de 8000 l/h sau o diferență de nivel maximă mai mare de 5 m cu gama de filtre Bioforce Revolution.

3.2 Important: Filtrele Bioforce Revolution trebuie să fie instalate într-o poziție verticală (Fig. 6).

3.3 Filtrele Bioforce Revolution sunt alimentate de pompă, filtre externe sub presiune și unități UVC, adaptate pentru montarea deasupra solului (Fig. 7) sau în sol (Fig. 8) lângă iaz sau mascate în partea de sus a unei cascade.

Dacă alegeți să instalați filtrul deasupra solului, așezați filtrul pe teren plan.

Dacă alegeți să îngropați parțial filtrul, excavarea trebuie să fie umplută cu nisip compactat pentru a susține unitatea. Dacă alegeți acest tip de montare, trebuie să lăsați un o distantă minimă de 50 mm între clemă și nivelul solului, asigurându-vă că este ușor de îndepărtat pentru întreținerea anuală.

3.4 Utilizarea de furtunuri cu diametre mici conduce la scăderea excesivă a debitului de apă. Cu cât mai mare

este diametrul furtunului pe care îl utilizați, cu atât mai bune vor fi performanțele filtrului, în special pentru furtunuri lungi. Capetele de furtun furnizate cu această unitate se adaptează la furtunuri de 25mm (1"), 32 mm (1 1/8") și 40 mm (1 1/2") Cypriflex. Recomandăm întotdeauna ca la filtrele Bioforce Revolution să fie utilizat furtunul cu diametrul de 40 mm pentru a evita restricția debitului de apă.

După ce ați selectat diametrul furtunului pe care doriți să îl utilizați, tăiați din capătul de furtun porțiunile care sunt mai mici decât diametrul furtunului pentru a elimina restricția (Fig. 9).

Pompa care alimentează filtrul și evacuarea furtunului de retur de la iaz trebuie să fie cât mai departe posibil pentru circulația optimă a apei, astfel încât țineți cont de acest lucru, atunci când achiziționați, măsurați și tăiați furtunul Cypriflex.

Atașați un furtun de lungime corespunzătoare între pompa de alimentare și intrarea filtrului (Fig. 10 (i)) fixând furtunul la capetele de furtun utilizând colierele de furtun Hozelock Cyprio, disponibile separat. Apoi, conectați un furtun cu lungime adecvată de la ieșirea filtrului (Fig. 10 (ii)), în același mod. Pentru detalii privind ieșirea pentru deșeurii (Fig. 10 (iii)), consultați secțiunea "Curățarea".

Plasați pompa în iaz într-o locație adecvată și poziționați capătul furtunului de ieșire, astfel încât apa filtrată se întoarcă în iaz.

Evitați îndoiturile și curbele strâns atunci când poziționați furtunurile. Păstrați furtunurile cât mai scurte posibil pentru a minimiza limitarea debitului.

3.5 Asigurați-vă că mânerul de învârtire este poziționat deasupra carcasei compartimentului electric. Luați para mânerului de învârtire și capacul furnizate și conectați-le la mânerul de curățare prin poziționarea acestora pe mâner și fixându-le până se aude un clic (Fig. 11).

Filtrul dvs. este acum pregătit de utilizare.

Funcționarea

4.1 Asigurați-vă că valva direcțională este comutată la ieșirea iazului (Fig. 12).

4.2 Conectați cablul de alimentare a filtrului (a se vedea secțiunea 1 - Siguranță și conexiuni electrice). Aceasta pornește lampa UVC. Puteți verifica dacă lampa funcționează după lumina albastră a matorului luminos UV din carcasa superioară (Fig 1 (c)).

4.3 Porniți pompa.

4.4 **Perioade de funcționare:** Mențineți filtrul în funcțiune 24 de ore pe zi. În mod ideal, acesta trebuie să funcționeze pe tot parcursul anului, dar cel puțin în timpul sezonului de alimentare (de exemplu, până când temperatura apei scade sub 10°C). În timpul iernii, operarea pompei și a filtrului va menține un nivel de bază al bacteriilor utile în Bioforce și va ajuta la prevenirea înghețării iazului. Dacă opriți pompa pe timpul iernii, spălați filtrul cu atenție înainte de relizarea filtrării în primăvară (a se vedea "Depozitarea pe timp de iarnă", 11.0). Nu hrăniți peștii când filtrul nu este utilizat.

Maturizarea

- 5.1 Maturizarea biologică înseamnă că filtrul a acumulat bacterii nitrificatoare suficiente pentru a converti peștii dăunători și alte deșeuri organice (de exemplu amoniac, nitrit) în nitrat relativ inofensiv. Procesul durează în mod normal 6-8 săptămâni, dar depinde de mulți factori, cum ar fi temperatura apei, rata de hrănire și densitatea populației. Accelerați maturizarea prin adăugarea unui agent de maturizare, cum ar fi Hozelock Cypro Filter Start.

Curățarea

Când trebuie curățat Bioforce Revolution.

Filtrele Bioforce Revolution oferă performanțe maxime cu minim de întreținere. În cazul în care iazul este foarte murdar, filtrul ar putea avea nevoie de curățare la fiecare câteva zile la început, deoarece acumulează deșeuri foarte repede. Odată ce iazul devine mai limpede, vor fi mai puține deșeuri de eliminat, astfel încât filtrul va avea nevoie de curățare mai rar. Filtrele sub presiune sunt cele mai eficiente atunci când buretele se blochează parțial. Cu toate acestea, pe măsură ce blocajul crește, debitul scade și curea apă mai puțin prin burete, iar curățarea devine necesară.

- 6.1 Opriti pompa de la rețeaua de alimentare.
- 6.2 Conectați un furtun cu lungime adecvată la ieșirea pentru deșeuri (Fig. 10(iii)) folosind capătul de furtun furnizat și un colier de furtun. Capătul furtunului de deșeuri poate fi poziționat deasupra un canal de scurgere sau pe un strat de flori. Apele uzate reprezintă un îngrășământ excelent.
- 6.3 Învârțiți mânerul de mai multe ori. Vă recomandăm să învârțiți de mai multe ori, atât în sensul orar, cât și antiorar (Fig. 13). În timp ce mânerul este rotit, lamele galbene de curățare (Fig. 2 (g)) se vor roti separând și strângând fiecare cub de burete pentru a elibera deșeurile pe care le-au colectat.
- 6.4 Rotiți valva direcțional în poziția pentru deșeuri (Fig. 14). Veți auzi un "clic".
- 6.5 Porniți pompa.
- 6.6 Continuați să învârțiți mânerul (rotații complete în ambele sensuri). Inițial, apa reziduală va avea o culoare intensă verde sau maro, în funcție de configurarea iazului dvs.
- După o scurtă perioadă de timp, intensitatea culorii apelor uzate dispare și apa va deveni mai limpede. În acest moment, nu mai învârțiți și readeuceți mânerul în poziția de depozitare deasupra carcasei principale (Fig. 15).

Așteptați 5 secunde pentru ca ultimele deșeuri să fie spălate și rotiți valva direcțională înapoi spre iaz.

AVERTISMENT: Dacă lăsați supapa în poziția de deșeuri, iazul de va goli. Asigurați-vă că acesta este comutat înapoi la ieșirea iazului.

- 6.7 Timpul necesar pentru a curăța filtrul dvs. depinde de mai mulți factori, dar cu cât mai regulat curățați filtrul, cu atât mai scurt este timpul de curățare necesar. De obicei, curățarea va dura câteva minute.
- Din timp în timp, va trebui să refaceți nivelul iazului pentru a înlocui apa reziduală eliminată în timpul curățării. Schimbările parțiale de apă sunt un aspect important al întreținerii unui sistem sănătos de apă din

iaz.

Întreținerea

Avertisment: Citiți aceste instrucțiuni de întreținere înainte de a deschide aparatul.

Avertisment: nu încercați să scoateți capacul sau carcasa compartimentului electric, atunci când pompa și filtrul sunt în uz. Un orificiu pentru un lacăt este prevăzut în clema capacului pentru a preveni deschiderea accidentală și vă recomandăm ca acesta să fie utilizat în cazul în care este probabilă prezența copiilor.

7.1 Înlocuirea lămpii UV:

Avertisment: Aparatul trebuie să fie deconectat de la sursa de alimentare înainte de a deconecta emițătorul UV-C.

Eficacitatea unei lămpi UV se reduce semnificativ în timp, astfel încât ar trebui să înlocuiți lampa la fiecare 12 luni, chiar dacă lampa mai funcționează.

- 7.1.1 Opriti alimentarea la pompa de alimentare și la filtru.
- 7.1.2 Rotiți valva direcțională spre deșeuri. Acest lucru permite egalizarea presiunii interne cu presiunea atmosferică și permite scoaterea ușoară a carcasei compartimentului electric fără ca apa să fie aspirată pe suprafața superioară a capacului.
- 7.1.3 Învârțiți mânerul de curățare cu o jumătate de rotație, astfel încât să nu mai fie în calea carcasei compartimentului electric (Fig. 16 (i)).
- 7.1.4 Folosiți o șurubelniță pentru a îndepărta cele 5 șuruburi care fixează carcasa compartimentului electric la capac. (Fig 16 (ii)). Există un buzunar prevăzut între intrarea și ieșirea filtrului pentru a stoca șuruburile în timp ce schimbați lampa (Fig. 16 (iii)).
- 7.1.5 Prindeți carcasa compartimentului electric și trageți ușor în sus pentru a scoate carcasa electrică. Întoarceți carcasa cu susul în jos și așezați pe o suprafață plană uscată.
- 7.1.6 Fig. 17. Deșurubați colierul de blocare a tubului de cuarț (i). Țineți cu grijă tubul de cuarț (ii), ridicați și scoateți împreună cu garniturile inelare (iii) și gulerul de blocare.
- 7.1.7 Scoateți lampa veche trăgându-o ușor din suportul său și îndepărtați capacul de protecție negru de la capătul lămpii (Fig. 17 (iv)) și scoateți placa reflectorului (Fig. 17 (v)). Aruncați lampa veche în conformitate cu reglementările locale și montați lampa nouă.
- 7.1.8 Montați placa reflectorului și împingeți capacul negru la capătul lămpii.
- 7.1.9 Glisați tubul de cuarț în jos peste lampă. Asigurați-vă că cele două garnituri inelare de la baza tubului de cuarț sunt curate și nu sunt contaminate cu resturi.
- 7.1.10 Glisați gulerului de blocare în jos peste tubul de cuarț și înșurubați. Trebuie să înșurubați în jos până când opritorul gulerului de blocare lovește opritorul carcasei, astfel încât gulerul nu mai poate fi înșurubat.
- 7.1.11 Montați din nou carcasa compartimentului electric. Carcasa poate fi montată numai într-o singură poziție, așa că nu încercați să o forțați jos. Odată ajunsă în poziție, înlocuiți cele 5 șuruburi. Șuruburile trebuie să fie înșurubate complet pentru a asigura că comutatorul de blocare este activat.
- 7.1.12 Rotiți valva direcțională înapoi spre iaz și poziționați

mănerul de curățare în poziția de depozitare.

7.1.13 Reporniți pompa verificând, mai întâi, dacă există scurgeri, apoi porniți lampa UV. Verificați lumina albastră a matorului luminos UV.

7.2 Îngrijirea tubului de cuarț UV:

În special în zonele de apă dură, învelișul tubului de cuarț al lămpii UVC poate fi acoperit de calcar. Acest lucru va reduce eficiența unității în cazul în care acesta se acumulează. Pentru a curăța, opriți pompa și sursa de alimentare la UV, scoateți carcasa compartimentului electric, așa cum este descris la 7.1 și ștergeți tubul de cuarț cu o cârpă moale umezită cu un agent de curățare delicat, cum ar fi oțetul (a se vedea Fig 18). Trebuie să purtați îmbrăcăminte de protecție atunci când curățați tubul de cuarț, cum ar fi ochelari de protecție și mănuși.

7.3 Înclocuirea buretelui Cypricube:

Controlați buretele anual. Frecvența de înlocuire a buretelui va depinde de configurația iazului dvs. Vă recomandăm ca buretele să fie înlocuit în timpul iernii și înainte de a începe să hrăniți peștii din nou la începutul primăverii". Schimbarea buretelui în alte momente ale anului poate cauza modificarea compoziției chimice a iazului și acest lucru poate afecta peștii.

*Deoarece apa din iaz se răcește toamna, peștii devin mai lenti, pregătindu-se pentru o perioadă de semi-hibernare. Sistemele digestiv și imunitar își încetinesc activitatea și peștii nu sunt capabili să digere aceleași tipuri de alimente pe care le pot digera în timpul lunilor calde. Dacă le este foame, aceștia se vor hrăni cu alimente mai simple care apar în mod natural în mediul iazului. Prin urmare, odată ce temperatura apei din iaz scade sub 10°C pentru o perioadă îndelungată de timp, trebuie să interrompeți hrănirea peștilor. Odată ce vremea începe să se încălzească la începutul primăverii, în timp ce peștii încep să devină mai activi, puteți începe treptat să hrăniți peștii din nou.

7.3.1 Opriți alimentarea la pompa de alimentare și la filtru.

7.3.2 Rotiți valva direcțională spre deșeuri. Acest lucru permite egalizarea presiunii interne cu presiunea atmosferică și permite îndepărtarea ușoară a capacului.

7.3.3 Deblocați clema capacului (Fig. 2(n)). Eliberați ușor și scoateți capacul cu ajutorul celor 2 pârghii din sloturi opuse (Fig. 19). Aceasta vă poate ajuta dacă scoateți furtunurile atașate.

7.3.4 Ridați și scoateți recipientul cu burete (Fig. 2 (i)) și aruncați buretele vechi. Goliți apa din interiorul vasului filtrului, colectând mediul biologic într-o plasă. Mediul biologic nu necesită întreținere.

7.3.5 În cazul în care partea de jos a vasului este acoperită cu un strat de nămol, clătiți partea de jos a vasului cu puțină apă din iaz.

7.3.6 Înlocuiți mediul biologic, asigurându-vă că se află în jurul pâlniei cu mediul biologic (Fig. 2 (o)) în partea de jos a vasului. Nu trebuie să existe mediul biologic în interiorul pâlniei (Fig. 20).

7.3.7 Așezați recipientul cu burete în vas. Rotiți recipientul cu burete până când triunghiurile mici din partea de sus a recipientului cu burete se aliniază cu una dintre liniile verticale de pe interiorul vasului filtrului (Fig. 21).

Recipientul cu burete va intra în poziție. **Asigurați-vă că recipientul cu burete este poziționat corect pentru a permite localizarea ușoară a capacului.**

7.3.8 Umpleți recipientul cu burete la cantitatea recomandată de burete Cypricube. Nu vă faceți griji în cazul în care noile cuburi uscate de burete ocupă mai mult spațiu atunci când sunt noi. Asigurați-vă că buretele nu cade în orificiul central din zona pâlniei cu mediu biologic.

Niciodată nu apăsați buretele pentru a intra mai mult. Buretele uscat trebuie să fie adăugat lejer și nu trebuie să umple mai sus de vasul filtrului (Fig 22). Dacă se adaugă prea mult burete, curățarea filtrului va fi diferită.

7.3.9 Asigurați-vă că garnitura (Fig. 2(l)) din partea de sus a vasului filtrului este în poziție și nu este contaminată cu murdărie și resturi. Adăugați un strat subțire de unsoare cu silicon pe garnitură, dacă este necesar, pentru a ajuta la montare. Remontați capacul. Glišați tubul negru central care acoperă lampa UV în jos prin orificiul central.

7.3.10 Remontați clema capacului. Asigurați-vă că nu există nicio acumulare de apă sub clema benzii și păstrați maneta cu balamale lubrifiată cu un lubrifiant pe bază de ulei.

7.3.11 Rotiți valva direcțională înapoi spre iaz și poziționați mănerul de curățare în poziția de depozitare.

7.3.12 Reporniți pompa verificând, mai întâi, dacă există scurgeri. Apoi, porniți lampa UV. Verificați lumina albastră a matorului luminos UV.

Depozitarea pe timp de iarnă

8.1 Pe vreme rece de iarnă (atunci când peștii sunt inactivi și creșterea algelor încetează), unitatea poate fi oprită. Acesta trebuie să fie apoi scoasă, bine spălată, curățată și uscată și depozitată într-o zonă uscată protejată la îngheț. Păstrați întotdeauna unitatea cu capacul scos pentru a se asigura ventilația și uscarea adecvată.

Depanare / Întrebări frecvente

Problemă	Cauză posibilă	Remediu
Lipsă debit de apă prin filtru spre iaz.	Pompa de alimentare nu este pornită sau nu funcționează.	Verificați dacă pompa funcționează și este pornită.
	Furtunul de alimentare este blocat.	Verificați furtunul de alimentare și furtunul de retur în iaz pentru blocaje.
	Valva direcțională este setată la "Deșeuri"	Comutați valva direcțională la "Iaz".
Flux redus prin filtru	Bureții sunt blocați.	Curățați filtrul (a se vedea "Curățarea").
	Furtunul de alimentare este blocat.	Verificați furtunul de alimentare și furtunul de retur în iaz pentru blocaje.

Problemă	Cauză posibilă	Remediu
Apa nu devine limpede	Filtrul nou nu s-a maturizat încă.	Limpezimea apei din iaz ar trebui să înceapă să se îmbunătățească în termen de 2-3 săptămâni, dar maturarea biologică deplină poate dura 6-8 săptămâni înainte de filtrul să fie pe deplin efice.
	Filtru dimensionat greșit pentru iazul dvs.	Verificați dacă utilizați filtrul adecvat pentru configurația iazului dvs.
	Pompă de alimentare de dimensiune greșită.	Verificați debitul. A se vedea 2.2.
	Lampă UV arsă.	Verificați matorul luminos UV. Înlocuiți lampa UV.
	Lampă UV veche.	Înlocuiți lampa UV la fiecare 12 luni.
	Bureții trebuie curățați.	Curățați filtrul (a se vedea "Curățarea").
	Ieșirea furtunului de retur în iaz este poziționată deasupra pompei de alimentare.	Mutați pompa sau ieșirea furtunului de retur în iaz, astfel încât acestea să fie cât mai îndepărtate posibil.
	Iazul este suprapopulat cu pești.	Reduceți cantitatea de pește din iaz.
	Hrănire în exces.	Hrăniți peștii cu atâta hrană cât pot consuma în câteva minute. Hrăniți doar o dată pe an.
Mănerul de curățare nu se rotește.	Pompa funcționează la începutul curățării.	Opriti pompa. Învărțiți mânerul în ambele direcții de câteva ori. Porniți pompa (a se vedea "Curățarea").

Restituirea contravalorii poate fi autorizată numai de către Hozelock Cyprio și se face numai în locația de cumpărare la valoarea prețului de achiziție a filtrului. Vă rugăm să rețineți faptul că Garanția Clearwater nu acoperă pierderea limpezimii apei, atunci când cauza o constituie algele filamentoase, spre deosebire de cele în suspensie (apă verde).

Garanție Hozelock Cyprio pentru 2 ani

Dacă această unitate Bioforce Revolution (excl. lampa) devine inutilizabilă în termen de 2 ani de la data cumpărării, aceasta va fi reparată sau înlocuită, la alegerea noastră, gratuit, cu excepția cazului în care, conform evaluării noastre, aceasta a fost deteriorată. Nu se acceptă nicio răspundere pentru daune cauzate de accidente, montarea sau utilizarea incorecte. Răspunderea este limitată la înlocuirea unității defecte. Această garanție nu este transferabilă. Aceasta nu afectează drepturile dvs. statutare. Pentru a beneficia de această garanție, contactați în primul rând serviciul pentru clienți al Hozelock Cyprio (0121 313 1122) care poate cere ca unitatea să fie trimisă împreună cu dovada achiziționării direct la adresa de mai jos.

Contact / Piese de schimb

www.hozelock.com

Informații tehnice

Număr piesă	1352	1353	1354
Gamă	Bioforce Revolution		
Volți (V)	230V 50Hz		
Alimentare UVC (W)	18	24	36
Dimensiunea maximă a iazului cu pește	6000 l (1320 gal)	9000 l (1980 gal)	14000 l (3080 gal)
Dimensiunea maximă a iazului fără pește	12000 l (2640 gal)	18000 l (3960 gal)	28000 l (6160 gal)
Capacitate maximă a pompei Hozelock Cyprio Aquaforce (l/h)	4000	6000	8000
Debit max, QMax, (l/h)	3000	4500	7000
Clasă IP	IP57	IP57	IP57
Temperatură maximă a apei Tmax., (°C)	35°C	35°C	35°C
Sistem de curățare Bioforce Revolution	✓	✓	✓

* Măsurat în condiții controlate

Garanție Hozelock Cyprio Clearwater

VĂ GARANTĂM APĂ LIMPEDE SAU RESTITUIREA CONTRAVALORII filtrului Hozelock Cyprio Bioforce Revolution, atunci când acesta este utilizat cu pompa adecvată. Această garanție este valabilă 12 luni de la data achiziției, dacă

- Ați urmat instrucțiunile de montare și utilizare.
- Folosiți echipament de dimensiune corectă, în conformitate cu informațiile de dimensionare Hozelock Cyprio.
- Consultați Linia de asistență (0121 313 1122) suficient de devreme pentru remedierea oricăror probleme.
- Produsul a fost returnat intact.



Nu eliminați aparatele electrice împreună cu gunoiul menajer nesortat, utilizați instalații de colectare separate. Contactați administrația locală pentru informații cu privire la sistemele de colectare disponibile. În cazul în care aparatele electrice sunt aruncate la gropile de gunoi, substanțele periculoase se pot scurge în apele subterane și pot intra în lanțul alimentar, deteriorându-vă sănătatea și bunăstarea. În UE, la înlocuirea aparatelor vechi cu altele noi, comerciantul este obligat prin lege să ia înapoi aparatul vechi pentru eliminare, cel puțin gratuit.

UA

Дякуємо, що Ви обрали продукцію саме компанії “Hozelock”. Ми гарантуємо надійну експлуатацію цього приладу.

- a** Блок електромотора
- b** Кришка
- c** Індикаторна лампа УФ-випромінювання
- d** Очисний вентиль
- e** Очисна ручка
- f** Пропускний клапан
- g** Очисний пальцеподібний виступ (жовтий)
- h** Корпус УФ випромінювання
- i** Контейнер для пінки
- j** Пінка “Cupricube”
- k** Біонаповнювач
- l** Контейнер з кільцевим ущільнювачем
- m** Фільтруючий контейнер
- n** Фіксаторний обрuch
- o** Біоущільнювач
- p** Штуцер і муфта
- q** Регулятор

ІНСТРУКЦІЇ З ВСТАНОВЛЕННЯ ТА ЕКСПЛУАТАЦІЇ



УВАЖНО ПРОЧИТАЙТЕ ЦІ ІНСТРУКЦІЇ З ЕКСПЛУАТАЦІЇ ПЕРЕД ВИКОРИСТАННЯМ ЦЬОГО ПРИЛАДУ

НЕДОТРИМАННЯ НАСТУПНИХ ПОЛОЖЕНЬ МОЖЕ ПРИЗВЕСТИ ДО ТІЛЕСНОГО ПОРАНЕННЯ, ПОШКОДЖЕННЯ САМОГО ПРИЛАДУ ЧИ ДО ВТРАТИ РИБИ

ЗБЕРЕЖІТЬ ЦІ ІНСТРУКЦІЇ НА МАЙБУТНЄ.

Фільтр “Hozelock Cuprio Bioforce Revolution” - це нова революційна концепція, яка полегшує процес фільтрування води у садових озерах.

Цей фільтр:

- компактний та ефективний
- легкий у встановленні
- немає проблем з очищення та експлуатації
- можна будь-де розмістити

Фільтр працює з спеціальним озерним насосом, який покращує прозорість водойми, усуває небажані тверді речовини з озера, переробляє розчинені органічні та хімічні відходи риб в нешкідливі сполуки.

Увага: Застереження щодо УФ-випромінювання

Даний прилад містить випромінювач УФ хвиль спектру С. Використання даного приладу не за призначенням або пошкодження самого корпусу може призвести до просочування небезпечного радіоактивного випромінювання УФ хвиль спектру С. Радіоактивне випромінювання УФ хвиль спектру С навіть в малих дозах становить небезпеку для очей та шкіри. Індикаторна лампа оснащена механізмом блокування, який одразу її відключає, якщо відкрито блок електромотора.

У включеному режимі лампа випромінює світіння блакитного кольору від індикатора УФ-випромінювання. Не використовуйте прилад без води.

Застереження: Не намагайтеся використовувати випромінювач УФ хвиль спектру С, якщо він знаходиться за межами відповідного обладнання.

Це важливо знати

Даний прилад не призначений для використання людям (включаючи дітей) з обмеженими фізичними, сенсорними чи розумовими можливостями, чи людям з недостатнім досвідом чи рівнем знань про роботу подібних приладів, якщо тільки вони не знаходяться під наглядом чи слідуєть вказівкам щодо використання даного приладу з боку осіб, які несуть відповідальність за їх безпеку. Слідкуйте, щоб діти не гралися з приладом. Не користуйтеся приладом, якщо він працює не належним чином чи його пошкодили.

Застереження: Безпека та підключення до електромережі

- 1.1 Застереження: ЗАВЖДИ ВИКЛЮЧАЙТЕ ЧИ ВІД'ЄДНОЙТЕ ВСІ ПРИСТРОЇ, ЯКІ ЗНАХОДЯТЬСЯ У ВОДОЙМІ ВІД ЕЛЕКТРОМЕРЕЖІ ПЕРЕД ТИМ ЯК ОПУСКАТИ РУКИ У ВОДУ, КОЛИ ПРИЛАД ВСТАНОВЛЮЮТЬ, РЕМОНТУЮТЬ, ПІДТРИМУЮТЬ ЧИ ТРИМАЮТЬ У РУКАХ.**
- 1.2** Цей фільтр розроблено тільки для садових озер. Використовуйте фільтр тільки за цільовим призначенням (не використовуйте фільтр у басейнах тощо). Використовування фільтра не за цільовим призначенням може призвести до тілесного поранення чи пошкодження приладу.
- 1.3** Частини приладу, які пошкоджені чи працюють не належним чином, не повинні надалі використовуватися.

- 1.4 Прозора труба, яка знаходиться всередині приладу, виготовлена з кварцового скла. Ставтеся з особливою обережністю до неї під час встановлення і подальшої експлуатації. Ми рекомендуємо користуватися засобами для захисту очей та рукавицями.
- 1.5 Фільтр "Bioforce Revolution" є погодостійким, але не призначений для використання під водою. Розташуйте прилад вертикально біля водойми. Виберіть таке місце, звідки він не впаде у воду, а земля довкола нього не буде набирати вологи (Див. розділ "Встановлення").
- 1.6 Це важливо знати Прилад йде в комплекті з 5 м електричним трьохжильним кабелем. Штепсельна вилка, яка йде у комплекті з приладом не є водонепроникною. Вставляйте вилку у розетку тільки у сухому водонепроникному місці у відповідності з нормами місцевого регулювання.
- 1.7 Застереження: Цей прилад ПОВИНЕН бути заземлений. Важливо, щоб з'єднувачі були виготовлені за наступним значенням:
- КОРИЧНЕВИЙ - фаза
 - СИНІЙ - нуль
 - ЗЕЛЕНИЙ/ЖОВТИЙ - заземлений.
- 1.8 Оголена довжина кабелю повинна знаходитися на безпечній відстані і захищена армованою ізоляційною трубкою, особливо тоді, коли є ризик контакту з садовим обладнанням (вила, газонокосарка тощо) чи з дітьми і домашніми тваринами.
- 1.9 Запобіжник ПОВИНЕН відповідати напрузі електромережі (максимум 30mA).
- 1.10 Постійне підключення до електромережі (фіксована проводка), повинна відповідати національним та місцевим нормам. Якщо виникли сумніви щодо підключення до електромережі, проконсультуйтеся зі спеціалістом чи зверніться до місцевого електропідприємства.
- 1.11 Ніколи не використовуйте шнур електромережі чи очисну ручку, щоб перемістити фільтр, так як це може призвести до поломки приладу. Якщо фільтр необхідно перемістити, то спочатку відключіть його від мережі і відкачайте воду. Потім підніміть прилад за поверхню, де кришка кріпиться до головного контейнера.
- 1.12 Ніколи не сідайте і не спирайтеся на очисну ручку! Рис. 4 -
- 1.13 Ніколи не піднімайте фільтр за очисну ручку. Завжди переносьте прилад двома руками, міцно обхвативши краї кришки (Рис. 5).
- 1.14 Не вклячайте насос, якщо він не знаходиться у воді.
- 1.15 Не блокуйте отвори під час користування фільтром.
- 1.16 У будь-якому разі не використовуйте прилад, якщо ви бачите, що пошкоджено шнур електроживлення. Шнур електроживлення не можна замінити. Якщо пошкоджено шнур, блок електроживлення необхідно утилізувати відповідно до місцевих норм та регулювань.
- 1.17 Захищайте прилад від морозів, якщо не передбачено, що він працюватиме цілий рік. (Див. розділ "Догляд за фільтром у зимовий період").
- 1.18 Захищайте фільтр від прямого попадання сонячних променів.
- 1.19 Цей прилад не підходить для води з температурою вище 35°C і нижче 0°C.
- 1.20 Використовуйте тільки ті додаткові деталі, які були розроблені спеціально для роботи з цим приладом. Використання будь-яких інших деталей чи запасних частин може призвести до анулювання гарантії на прилад.

Загальний посібник по експлуатації

- 2.1 На зворотній стороні посібника представлено таблицю технічних даних, в якій подано загальний опис специфікацій фільтру та рекомендованого насосу. Однак, для отримання найкращих результатів роботи приладу, візьміть до уваги умови, які істотно впливають на потужність фільтру.
- **Глибина водойми:** "Hozelock Sургіо" рекомендує мінімальну глибину 1,2 м для водойм з декоративними карпами. Для водойм з середньою глибиною меншою за 0,75 м коефіцієнт погодно-кліматичних умов становить + 25%. Неглибокі водойми повністю поглинають сонячне світло, тому вода в них швидше нагрівається. Це спричиняє ріст водоростей.
 - **Місцезнаходження:** Місцезнаходження водойми впливає на визначення кількості отриманого сонячного світла чи затінку. Водойми, які знаходяться на відкритій ділянці протягом дня повністю поглинають сонячні промені. Коефіцієнт погодно-кліматичних умов становить +25%.
 - **Клімат:** Клімат впливає на температуру води, активність риби, потребу у годуванні. Чим активніша риба, тим вищими є потреби до фільтрувальних систем. У жарких кліматичних зонах (напр. Південна Африка), коефіцієнт погодно-кліматичних умов складає +35%. У помірній кліматичній зоні (напр. Південна Європа), коефіцієнт погодно-кліматичних умов складає +15%. У кліматичній зоні Північної Європи (сюди належить більша частина Великобританії) коефіцієнт погодно-кліматичних умов становить +0%.
- ПРИКЛАД:** У вас є 2200 л садове озеро із золотими рибками з глибиною 0,75 м (коефіцієнт погодно-кліматичних умов складає +25%). Ви живете у Лондоні - північно-європейська кліматична зона (коефіцієнт погодно-кліматичних умов складає +0%). Озеро повністю поглинає сонячне світло (+25%). Таким чином робочий об'єм вашої водойми збільшується до 50% (25% + 25%), і вам знадобиться обладнання більшого розміру, так як тепер ваше озеро вміщує 3300 л.
- 2.2 **Швидкість течії:** Для досягнення найкращих результатів, вода в озері повинна проходити через фільтр "Bioforce Revolution" кожні 1½ - 2½ год. Для водойм з декоративними карпами рекомендується найвища швидкість проходження води. Не перевищуйте максимально допустиму швидкість течії. Це вказано у таблиці технічних

даних, яка знаходиться на зворотньому боці посібника. Визначення правильної швидкості течії є необхідною умовою для отримання чистої води. Якщо ваше озеро не потребує значних затрат (напр. довгий поливний шланг) тоді, можливо, вам потрібно відрегулювати швидкість проходження води через фільтр до 1½ - 2½ год, використовуючи шланг з регулятором потоку води.

Шланг з малим діаметром, необов'язково довгий шланг, і високий тиск закачування ("передня частина") може істотно зменшити потужність насоса. Ми рекомендуємо використовувати такий насос, який зможе прокачати необхідний потік води від повного гідростатичного напору (= вертикальна відстань між поверхнею озера і вхідним отвором фільтра), з врахуванням 0,6 м довжини шланга для забезпечення механічного тертя.

Мета фільтрування полягає у передачі забруднень з озера до фільтра. Так як насос є частиною фільтрувальної установки, він також повинен обробляти і тверді матеріали. Тому різновиди фільтрів "Hozelock Cyprio" і насосів "Aquaforce" були спеціально розроблені для озер різного розміру і входять до складу "Bioforce Revolution". Насос встановить у найглибшій частині озера і переконається, що саме в цій частині водойми циркуляція води буде найкращою і насос зможе краще переробляти тверді тіла. Насос встановить на рівну плоску платформу на висоті 300 мм від дна озера. Це унеможливить засмонтування насосом бруду з дна водойми і забезпечить необхідну кількість води в озері, навіть якщо вода випадково просочується з озера.

Як перевірити швидкість течії: Візьміть контейнер з певною кількістю води і прослідкуйте за скільки часу (в секундах) він наповниться водою. Потім поділіть 3600 на отримане число в секундах (це час, за який вода наповнила контейнер) і помножьте на об'єм (л) контейнера. Отриманий результат і буде швидкістю течії в літрах за годину.

- 2.3 Густота риби:** За нормальних умов і відповідного режиму годування риби, "Bioforce Revolution" забезпечить збільшення довжини риби до 50 см на 1000 л від місткості озера. Поступово запускайте рибу протягом перших кількох тижнів, до 20% від рекомендованого рівня. Через шість місяців, за вашим бажанням, ви можете збільшити кількість до 50%. Такий баланс забезпечить ріст риби.

- 2.4 Догляд за озером:** Деякі медикаментозні препарати під впливом УФ хвиль можуть дуже швидко втрачати свої властивості. Переконайтеся, що фільтр виключений під час лікування. Механічна і біологічна фільтрація продовжуватиме свою роботу.

Якщо ви позбавляєтеся від водорослей, то вимкніть насос і фільтр на час операції до того часу, поки він не забере водорослі з озера.

- 2.5** Зверніть особливу увагу на з'єднання шланга, так як це може стати причиною виткання води з водойми.

- 3.1** Це важливо знати Не використовуйте насос з швидкістю течії понад 8000 л/год. Не використовуйте передню частину насоса з діаметром понад 5 м разом з фільтрами "Bioforce Revolution".

- 3.2** Це важливо знати Фільтри "Bioforce Revolution" необхідно встановлювати у прямому вертикальному положенні (Рис. 6).

- 3.3** Фільтри "Bioforce Revolution" мають насосну подачу, герметичний зовнішній фільтр і елементи з УФ-випромінюванням спектру С, які встановлюють або над землею (Рис. 7) або в землі (Рис. 8) в залежності від вашого озера чи ховають у верхній частині водоспаду.

Якщо ви збираєтеся встановити фільтр над землею, помістіть його на плоску рівну поверхню.

Якщо ви збираєтеся частково помістити фільтр у землю, то задня частина виїмки ґрунту повинна бути досить твердою і встеленою ущільненим піском для кращої фіксації приладу. Якщо ви вибрали саме цей тип встановлення приладу, ви повинні залишити щілину з розміром не менше 50 мм між фіксатором і рівнем землі, щоб прилад можна було легко пересувати для щорічних профілактичних робіт.

- 3.4** Використання шланга з малим діаметром може призвести до обмеженої швидкості потоку води. Чим більший діаметр шланга ви візьмете, тим кращою буде робота фільтра, особливо на довгих шлангах. До складу фільтрувальної установки входить штуцер. Для шланга "Cyriflex" підійде штуцер діаметром 25 мм (1"), 32 мм (1¼") і 40 мм (1½"). Для фільтрів "Bioforce Revolution" ми завжди рекомендуємо використовувати 40 мм шланг, щоб уникнути зниження швидкості потоку води.

Як тільки шланг потрібного вам діаметру вибрано, обріжте штуцер, який за діаметром є менший, ніж ваш шланг. Це дозволить уникнути зниження швидкості потоку води (Рис. 9).

Під'єднаний насос до фільтра і дренаж шланга зворотнього промивання повинні бути на максимально далекій відстані один від одного. Це забезпечить кращу циркуляцію води. Пам'ятайте про це, коли купляєте, виміряйте потрібну довжину шланга "Cyriflex" і потім його обрізаєте.

З'єднайте відповідну довжину шланга між подаючим насосом і вхідним отвором фільтра (Рис 10 (i)), влевнившись, що шланг, який під'єднаний до штуцера, скріплений затискними хомутами "Hozelock Cyprio", які продаються окремо. Таким же способом під'єднайте відповідну довжину шланга до дренажа фільтра (Рис. 10 (ii)). Для більш детальної інформації про дренажний отвір (Рис. 10 (iii)), перейдіть до розділу "Чистка".

Насос помістіть в озеро на зручне місце і розмістіть кінець дренажного шлангу так, щоб відфільтрована вода потрапляла назад до озера.

Уникайте перекручувань і гострих згинань, коли монтуєте шланги. Тримайте шланг на максимально короткій відстані, щоб уникнути зниження швидкості потоку води.

5.5 Перевірте чи поворотна ручка встановлена над кришкою блока електромотора. Поворотний вентиль і кришку з'єднайте з очисною ручкою. Зафіксуйте положення, кляцнувши по ній, (Рис 11). Фільтр готовий до роботи.

Експлуатація

- 4.1 **Переконайтеся, що пропускний клапан повернутий в напрямку стоку води (Рис 12).**
- 4.2 Під'єднайте електромережний шнур фільтра (Див. розділ 1 – Безпека та підключення до електромережі). Це включить індикаторну лампу УФ-випромінювання. Ви можете перевірити чи працює лампа, подивившись на блакитне світіння індикаторної лампи УФ-випромінювання, яка знаходиться зверху на корпусі (Рис 1 (с)).
- 4.3 Включіть насос.
- 4.4 **Час роботи:** Фільтр має працювати 24 год на добу. В ідеалі, фільтр має працювати цілий рік або принаймні в період відгодівлі риби (напр. допоки температура води не впаде нижче 10°C). В зимовий період, експлуатація насоса та фільтра забезпечить життєдіяльність корисних бактерій та не допустить замерзання озера. Якщо ви відключаєте насос на зиму, то добре промийте фільтр перед тим як відновити фільтрацію води навесні (див. "Догляд за фільтром у зимовий період", 11.0). Ніколи не годуйте рибу, якщо не працює фільтр.

Період дозрівання

5.1 Біологічне дозрівання означає те, що фільтром створена достатня кількість нітрифікуючих бактерій, які окислюють небезпечні рибні й інші органічні сполуки (напр. аміак, нітрит) до більш безпечних нітратів. Зазвичай цей процес триває 6-8 тижнів. На нього впливає багато факторів - температура води, інтенсивність харчування, густина риби. Період дозрівання можна пришвидшити, додаючи такий засіб як "Hozelock Cyprio Filter Start".

Чистка

Коли чистити фільтр "Bioforce Revolution".

Фільтри "Bioforce Revolution" - максимум комфорту з мінімальними затратами по догляду. Якщо озеро сильно забруднене, то спочатку фільтр доведеться чистити кожні декілька днів, так як він швидко виводить забруднення. Як тільки водоюма стане чистішою, кількість забруднення зменшиться, зникне потреба у частому чищенні. Фільтри з підвищеним тиском найбільш ефективні тоді, коли пінка частково закупорена. Оскільки закупорення зростає, швидкість потоку падає, зменшується кількість води, яка проходить через пінку. Чищення стає необхідним.

- 6.1 Вимкніть насос від мережі.
- 6.2 Під'єднайте потрібну довжину шланга до дренажного отвору (Рис. 10(iii)), використовуючи штуцер і затискні хомути. Кінець дренажного шлангу можна розмістити над стоком води чи над клумбою. Дренажна вода є чудовим удобрювачем.

6.3 Декілька разів прокрутіть ручку. Ми рекомендуємо робити декілька обертів за і проти годинниковою стрілкою (Рис. 13). Коли ручка обертається жовті очисні лопасті (Рис. 2 (g)) розділяються, стискаючи при цьому кожен пінний кубик, який виділяє зібране сміття.

- 6.4 Поверніть пропускний клапан у дренажну позицію (Рис. 14). Ви почуєте "кляц".
- 6.5 Включіть насос.
- 6.6 Продовжуйте обертати ручку (обертання виконуйте у двох напрямках). Зазвичай, дренажна вода буде насиченою зеленого чи коричневого кольору, в залежності від місця знаходження вашої установки.

Після короткого проміжку часу інтенсивність забарвлення води буде зменшуватися і вода знову стане прозорою. З цього часу перестаньте обертати ручку і поверніть її у висхідну позицію над корпусом (Рис. 15).

Зачекайте ще 5 секунд, щоб залишки дренажної води стекли і поверніть пропускний клапан назад до озера.

Застереження: Залишений клапан у дренажній позиції може призвести до осушення озера. Переконайтеся, що він повернутий в напрямку до озера.

6.7 Час, необхідний для очистки вашого фільтра, залежить від декількох факторів, але при частому регулярному чищенні фільтра зменшиться час, що витрачається на його очистку. Зазвичай процес чищення триває декілька хвилин.

Час від часу вам доведеться поповнювати воду в озері, так як рівень води зменшується під час дренажу і чищення. Часткова заміна води є важливим аспектом для підтримки озерної води у доброму стані.

Технічне обслуговування

Застереження: Прочитайте ці інструкції з технічного обслуговування перш ніж відкривати даний прилад.

Застереження: не намагайтеся замінити кришку чи електромотор, коли насос і фільтр працюють. Спеціальний отвір із замком блокує кришку, щоб уникнути випадкового відкривання. Ми рекомендуємо ним користуватися, якщо десь поблизу є діти.

7.1 **Заміна індикаторної лампи УФ-випромінювання:**
Застереження: Спочатку від'єднайте прилад від електромережі, потім від'єднайте випромінювач УФ хвиль спектру С.

Ефективність УФ лампи швидко знижується. Проводьте заміну лампи кожні 12 місяців, навіть якщо лампа продовжує функціонувати.

- 7.1.1 Вимкніть насос і фільтр.
- 7.1.2 Поверніть пропускний клапан в режим дренажу. Це збалансує внутрішній тиск з атмосферним, що у свою чергу дозволить легко зняти корпус блока живлення не залишаючи бризків води на поверхні кришки.
- 7.1.3 Поверніть очисну ручку напівоборота, так щоб вона знаходилася за межами блоку електромотора (Рис.16 (i)).

7.1.4 За допомогою викрутки вийміть 5 шурупів, які кріплять блок електромотора до кришки. (Рис. 16 (ii)). Між зовнішньою і внутрішньою частиною фільтра є так звана кишеня, в яку покладіть шурупи на час заміни лампи. (Рис. 16 (iii)).

7.1.5 Обхватіть блок електроживлення і обережно припідніміть його вгору, щоб зняти. Поверніть корпус догори дном і покладіть його на суху рівну поверхню.

7.1.6 Рис. 17. Відкрутіть зажимну муфту кварцової трубки (i). Обережно обхватіть кварцову трубку (ii), підніміть її вгору і витягніть разом з кільцевою (iii) і зажимною муфтою.

7.1.7 Замініть стару лампу, обережно витягнувши її з патрона. Зніміть чорну захисну кришку, яка є на кінці лампи (Рис. 17 (iv)) і витягніть дзеркальну пластинку (Рис. 17 (v)). Утилізуйте стару лампу у відповідності з місцевими нормами і вкрутіть нову лампу.

7.1.8 Помістіть назад дзеркальну пластинку. Чорну кришку прижміть на кінець лампи.

7.1.9 Опустіть кварцову трубку вниз над лампою Переконайтеся, що дві кільцеподібні муфти біля основи кварцової трубки чисті.

7.1.10 Над кварцовою трубкою опустіть зажимну муфту і закрутіть. До корпуса закрутіть до упору зажимну муфту.

7.1.11 Помістіть назад блок електроживлення. Блок живлення можна поставити тільки в одному положенні, тому не намагайтеся силою прижати його до низу. Як тільки він став на своє місце, закрутіть 5 шурупів. Закрутіть шурупи до упору, щоб спрацював механізм блокування.

7.1.12 Поверніть пропускний клапан у напрямку до озера і встановіть очисну ручку в позицію

7.1.13 Спочатку включіть насос і перевірте його на герметичність, потім включіть лампу УФ випромінювання. Перевірте чи індикаторна лампа світиться блакитним кольором.

7.2 Догляд за кварцовою трубкою УФ випромінювання:

У жорсткій воді кварцова трубка, яка захищає лампу УФ-випромінювання спектру С, може вкритися нальотом. Це може призвести до зниження ефективності роботи приладу. Щоб почитистити кварцову трубку, відключіть насос і електроживлення УФ лампи, витягніть блок електроживлення як описано на Рис. 7.1, і протріть кварцеву трубку м'якою тканиною, зволоженою легким очисним засобом, таким як оцет. (Див. Рис. 18). Одягніть захисний одяг перед чищенням кварцової трубки - захисні окуляри і рукавиці.

7.3 Заміна пінки "Cupricube":

Щорічно перевіряйте пінку. Частота заміни пінки буде залежати від налаштування вашого озера. Ми рекомендуємо замінювати пінку під час зимового періоду і в період, коли розпочинається годівля риби - початок весни*. Заміни пінки в будь-який інший період може спричинити різні хімічні модифікації, які можуть зашкодити вашій рибі.

*Восени температура води падає, активність риби зменшується у зв'язку з сповільненням процесів їх життєдіяльності. Імунна і травна системи сповільнюються. Травна система риб не може справлятися з тим об'ємом їжі, який вона отримувала в теплий період року. Якщо риба голодна, вона харчуватиметься більш простою їжею, яка зазвичай є у водному середовищі. Таким чином, як тільки температура води падає нижче 10°C на довгий період часу, вам слід перестати годувати рибу. Навесні, як тільки погода стає теплішою, ви можете поступово знову розпочинати годівлю риби.

7.3.1 Вимкніть насос і фільтр.

7.3.2 Поверніть пропускний клапан в режим дренажу. Це збалансує внутрішній тиск з атмосферним, що у свою чергу дозволить легко зняти кришку.

7.3.3 Зніміть фіксаторний обруч (Рис. 2(n)). Обережно послабте і зніміть кришку за допомогою 2 регуляторів, які розміщені по бокам кришки (Рис. 19). Можливо вам буде легше зняти кришку, якщо ви від'єднаєте шланги.

7.3.4 Підніміть і витягніть контейнер для пінки (Рис. 2(i)). Замініть стару пінку на нову. Висушіть вузд внутрішньої частини фільтруючого контейнера, збираючи біонаповнювач у сітковий мішечок. Біонаповнювач не вимагає додаткового догляду.

7.3.5 Якщо нижня частина контейнера покрита намулом, промийте дно водою з озера.

7.3.6 На дно контейнера викладіть біонаповнювач довкола біоушільнювача (Рис. 2(o)). Переконайтеся, що біонаповнювач не потрапив всередину до біоушільнювача (Рис. 2(o)).

7.3.7 Помістіть контейнер для пінки у фільтруючий контейнер. Обертайте контейнер для пінки допоки маленькі трикутники, що знаходяться на верху контейнера не будуть стояти навпроти вертикальних ліній внутрішньої частини фільтрувального контейнера. (Рис. 21). Контейнер для пінки стане на своє місце. Переконайтеся, що контейнер для пінки правильно розміщений. Тоді не буде проблем з одяганням кришки.

7.3.8 Наповніть контейнер для пінки рекомендованою кількістю пінки "Cupricube". Не переживайте, якщо нова суха пінка займає трохи більше місця. Прослідкуйте, щоб пінка не потрапила у центральний трубоподібний отвір біоушільнювача.

Ніколи не здавлюйте пінку, щоб помістити більшу кількість у контейнер. Суха пінка повинна вільно заповнювати простір контейнера і не перевищувати висоту фільтруючого контейнера (Рис. 22). Надто велика кількість пінки може ускладнити очищення фільтра.

7.3.9 Переконайтеся, що ушільнювач (Рис. 2(l)) знаходиться у верхній частині фільтру і він чистий. На ушільнювач нанесіть тонкий шар силіконової змазки для кращої фіксації. Поставте кришку. Через центральний отвір опустіть чорну трубку, яка покриває лампу УФ випромінювання.

7.3.10 Фіксаторний зажим кришки поверніть в попереднє положення. Перевірте чи внизу стрічкового хомута не назбирується вода. Шарніровий регулятор підтримуйте у змашеному вигляді за допомогою мастила.

7.3.11 Поверніть пропускний клапан у позицію до ставка і перемістіть очисну ручку у позицію

7.3.12 Включіть насос і перевірте його на герметичність. Потім включіть лампу УФ випромінювання. Перевірте чи індикаторна лампа світиться блакитним кольором.

Догляд за фільтром у зимовий період

8.1 У зимовий період (коли риба не активна і водорості не ростуть) прилад можна відключити. Його треба зняти, добре промити, почистити і висушити. Зберігати у сухому місці, захищеному від морозів. Прилад завжди зберігайте з відкритою кришкою для підтримки необхідної вентиляції і сухості.

Виявлення та усунення поломок / Часті питання

Що сталося?	Можлива причина	Що робити?
В озеро не потрапляє вода з фільтру.	Подаючий насос виключений або не працює.	Перевірте чи включений насос.
	Шланг закупорений.	Перевірте основний шланг і шланг зворотнього промивання на наявність забруднення.
	Пропускний клапан знаходиться на позиції "Waste"	Переключіть пропускний клапан у позицію "Pond".
Через фільтр проходить зменшена кількість води	Забита пінка	Почистіть фільтр (Див. "Чищення").
	Подаючий шланг закупорений.	Перевірте подаючий шланг і поворотний шланг на наявність забруднення.

Що сталося?	Можлива причина	Що робити?
Брудна вода	Новий фільтр ще не очистив воду	Прозорість води у ставку повинна покращитись через 2-3 тижні, але повне біологічне очищення може тривати 6-8 тижнів. Тільки тоді можна побачити ефективність роботи фільтра.
	Неправильний розмір фільтра для озера.	Перевірте чи ви використовуєте фільтр відповідно до розмірів озера.
	Неправильний розмір подаючого насоса.	Перевірте швидкість течії Див. 2.2.
	Перегоріла лампа УФ-випромінювання	Перевірте індикаторну лампу УФ-випромінювання. Замініть лампу УФ-випромінювання.
	Лампа УФ-випромінювання застаріла.	Проводьте заміну лампи УФ-випромінювання кожні 12 місяців.
	Пінку потрібно почистити.	Почистіть фільтр (Див. "Чищення").
Очисна ручка не крутиться.	Вихідний отвір поворотного шлангу знаходиться над подаючим насосом.	Пересуньте насос чи вихідний отвір поворотного шлангу на якомога дальшу відстань один від одного.
	Озеро переповнене рибою.	Зменшіть кількість риби у ставку.
	Перегодовування.	Рибу годуйте такою кількістю корму, який вона може спожити за декілька хвилин. Годуйте один раз на день.
	Насос на етапі чищення.	Виключіть насос. Прокрутіть ручку декілька раз у різні сторони. Включіть насос (Див. "Чищення").

Гарантійні зобов'язання виробника "Hozelock Cyprio Clearwater"

МИ НАДАЄМО ГАРАНТІЮ НА ЧИСТОТУ ВАШОЇ ВОДИ АБО МИ ПОВЕРНЕМО ВАМ ГРОШІ за фільтр "Hozelock Cyprio Bioforce Revolution" з відповідним насосом. Гарантійний термін експлуатації складає 12 місяців з часу покупки і здійснюється при умові, що:

- Ви виконували правила установки і експлуатації прилада.

- Ви використовували обладнання правильного розміру, відповідно до інформації про розміри, яка вказана в інструкції до цього приладу.
- Ви зверталися в нашу службу підтримки (0121 313 1122) і консультувалися з спеціалістом ще задовго до виникнення серйозних проблем.
- Прилад повернено без будь-яких пошкоджень.

Повернення може здійснюватись виключно за згоди компанії "Hozelock Cyprus" і проходить у місці покупки приладу і тільки по ціні самого фільтра. Візьміть до уваги що гарантійні умови "Clearwater" не покривають витрат, затрачених на одержання чистої води, якщо причиною брудної води є наявність водоростей.

Гарантійний термін обслуговування прилада "Hozelock Cyprus" дійсний протягом 2 років.

Якщо цей прилад "Bioforce Revolution" (без лампи) не підлягає ремонту під час гарантійного періоду 2 роки з часу покупки, прилад підлягає ремонту чи заміні на новий безкоштовно, якщо, на наш погляд, він був несправним. Це зобов'язання не поширюється, якщо прилад випадково поламали чи він поламався внаслідок неправильного підключення чи використання. Це зобов'язання має певні обмеження щодо дефектності самого приладу. Ця гарантія не поширюється на інший виріб. Вона не впливає на ваші чинні права відповідно до законодавства. Щоб отримати компенсаційні витрати цієї гарантії, спочатку зв'яжіться з сервісним центром обслуговування клієнтів "Hozelock Cyprus" (0121 313 1122), які можуть наполягати на тому, щоб прилад було відправлено за вказаною нижче адресою.

Зворотній зв'язок / Запасні деталі

www.hozelock.com

Технічна інформація

Номер деталі	1352	1353	1354
Назва	Bioforce Revolution		
Вольтаж (V)	230V 50Hz		
Потужність (W) УФ-випромінювання спектру C (UVC)	18	24	36
Максимальний розмір озера з рибою	6000 л (1320 гал)	9000 л (1980 гал)	14000 л (3080 гал)
Максимальний розмір озера з рибою	12000 л (2640 гал)	18000 л (3960 гал)	28000 л (6160 гал)
Мах розмір насоса "Hozelock Cyprus Aquaforce" (л/год)	4000	6000	8000
Мах текучість, QMax, (л/год)	3000	4500	7000
Клас IP-захисту	IP57	IP57	IP57
Мах температура води Tmax, (°C)	35°C	35°C	35°C

Номер деталі	1352	1353	1354
Очисна система "Bioforce Revolution"	✓	✓	✓
* Протестований при заданих умовах			



Не викидайте цей прилад як несортівані міські відходи. Використовуйте для цього окремі пункти прийому електричного і електронного обладнання для подальшої утилізації. Зв'яжіться з місцевими органами влади щодо отримання інформації про пункт прийому електричного і електронного обладнання для подальшої утилізації. Якщо електричні прилади утилізувати на звалищах, то потенційно небезпечні речовини, що містяться в таких приладах можуть просочитися в ґрунтові води і потрапити до харчового ланцюга, що негативно впливає на здоров'я людини та її самопочуття. У ЄС, при заміні старих приладів на нові, продавці роздрібних товарів зобов'язані приймати назад старі прилади для їх подальшої утилізації, принаймні, безкоштовно.

SLO

Zahvaljujemo se vam, da ste izbrali kakovostni izdelek Hozelock – lahko ste prepričani, da bo zanesljivo deloval.

- a** Električno ohišje.
- b** Sestav pokrova.
- c** Indikatorska leča za žarnico UV.
- d** Držalo ročke za čiščenje.
- e** Ročka za čiščenje.
- f** Preusmeritveni ventil.
- g** Čistilne lopatice (rumene).
- h** UV-okovje.
- i** Vedro za peno.
- j** Pena Cypricube.
- k** Biološka vsebina.
- l** O-tesnilni obroč posode.
- m** Filtrirna posoda.
- n** Objemka za pokrov.
- o** Biološki lijak.
- p** Cevni nastavek z matico.
- q** Ročica.

NAVODILA ZA NAMESTITEV IN UPORABO



PRED ZAČETKOM NAMESTITVE NATANČNO
PREBERITE TA NAVODILA.

NEUPOŠTEVANJE SPODNJIH NAVODIL LAHKO
POVZROČI TELESNE POŠKODBE, MATERIALNO ŠKODO ALI
POGIN RIB.

HRANITE TA NAVODILA ZA KASNEJŠO UPORABO.

Sistem Hozelock Cyprio Bioforce Revolution predstavlja nov koncept za filtracijo vode v vrtnih ribnikih z enostavnim vzdrževanjem.

Lastnosti sistema:

- kompakten in učinkovit,
- preprost za namestitev,
- omogoča enostavno čiščenje in vzdrževanje,
- mogoče ga je postaviti skoraj kamor koli,

Z uporabo ustrezne vodne črpalke boste s sistemom izboljšali čistost vode, odstranili neželene snovi iz ribnika in pretvorili razgrajene organske in kemične ribje odpadke v neškodljive zmesi.

Pozor: UV-žarki

Ta naprava vsebuje oddajnik žarkov UV-C. Nenamerna uporaba naprave ali poškodbe ohišja lahko povzročijo uhajanje sevanja nevarnih žarkov UV-C. Sevanje UV-C lahko tudi v manjših količinah povzroči poškodbe oči in kože. Žarnica je opremljena z zaporo, ki bo izključila žarnico v primeru odprtja električnega ohišja.

Preverite lahko ustrezno delovanje žarnice, kadar je ta vključena, tako da opazujete moder odsev na indikatorski leči za žarnico UV. Izdelka ne vključite brez uporabe vode.

Opozorilo: Ne poskušajte upravljati oddajnika UV-C, če je ta ločen od ohišja naprave.

Pomembno

Osebam z zmanjšanimi fizičnimi, senzoričnimi ali mentalnimi sposobnostmi (vključno z otroki) ali pomanjkanjem izkušenj in znanja, ni dovoljena uporaba naprave, razen če so pod nadzorom ali so prejeli navodila v zvezi z uporabo naprave od osebe, odgovorne za njihovo varnost. Otroke je treba nadzorovati in zagotoviti, da se ne igrajo z napravo. Če je naprava očitno poškodovana, je ni dovoljeno uporabljati.

Opozorilo: Varnost in električne povezave

- 1.1 OPOZORILO: MED NAMEŠČANJEM, POPRAVILOM, VZDRŽEVANJEM ALI UPORABO VEDNO IZKLJUČITE ALI ODKLOPITE VSE NAPRAVE V RIBNIKU OD VIRA NAPAJANJA, PREDEN POLOŽITE ROKE V VODO.**
- 1.2 Filter je bil zasnovan samo za uporabo v vrtnih ribnikih. Filtra ne uporabljajte za druge namene (npr. ne uporabljajte ga v bazenih in podobno). Uporaba naprave za druge namene lahko povzroči poškodbe oseb in stvari.
- 1.3 Očitno poškodovane naprave ni dovoljeno uporabljati.

- 1.4 Prozorna cev v enoti je izdelana iz kvarčnega stekla, zato bodite pazljivi med nameščanjem in vzdrževanjem. Priporočamo uporabo zaščite za oči in ustreznih rokavic.
- 1.5 Filter Bioforce Revolution je vodoodporen, vendar ni potopen. Enoto namestite v pokončni položaj v bližini ribnika, vendar ne na mestu, kjer bi lahko padel v vodo ali kjer se lahko napolni z vodo (glejte poglavje »Namestitev«).
- 1.6 **Pomembno:** Izdelek je dobavljiv s 5-metrskim 3-žilnim električnim kablom. Kabel, dobavljen z izdelkom, ni vodoodporen, zato ga je treba priključiti v napajanje znotraj suhega in vodoodpornega prostora skladno s krajevnimi predpisi.
- 1.7 **OPOZORILO:** Napravo je TREBA ozemljiti, zato je pomembno, da priključke izvedete z uporabo naslednjih oznak:
 - RJAVA – aktivno
 - MODRA – nevtralan
 - ZELENA/RUMENA – ozemljitev
- 1.8 Izpostavljen sklop kablov je treba položiti razumno in zaščititi z armiranim vodnikom, zlasti če obstaja nevarnost stika z vrtno opremo, kot so vile ali kosilnice, ali stika z otroki in domačimi živalmi.
- 1.9 Na napajalno omrežje je TREBA namestiti napravo na diferenčni tok (RCD) z jakostjo največ 30 mA.
- 1.10 Trajna namestitev na napajalno omrežje (fiksna napeljava) mora ustrezati državnim in krajevnim predpisom o napeljavi. Če imate kakršne koli dvome o priključitvi na električno napajanje, se posvetujte z usposobljenim električarjem ali ustreznim krajevnim organom.
- 1.11 Nikoli ne uporabite napajalnega kabla ali ročke za čiščenje za dvigovanje filtra, saj lahko to povzroči poškodbe. Če je treba filter premakniti, najprej izključite sistem in izpraznite vodo. Nato dvignite sistem, tako da držite za mesto, kjer je pokrov z objemko pritrjen na glavno posodo.
- 1.12 Nikoli ne sedite ali se naslanjajte na ročko za čiščenje! (slika 4).
- 1.13 Nikoli ne dvigujte filtra za ročko za čiščenje. Enoto vedno prenašajte z obema rokama, tako da trdno držite za obod pokrova (slika 5).
- 1.14 Filter naj ne deluje brez uporabe vode.
- 1.15 Med uporabo filtra ne blokirajte izhodov.
- 1.16 Tega izdelka ne upravljajte, če je napajalni kabel kakor koli poškodovan. Napajalnega kabla ni mogoče zamenjati. Če je kabel poškodovan, je treba električno ohišje odstraniti skladno z lokalnimi predpisi.
- 1.17 Zaščitite pred mrazom, če izdelka ne uporabljate celo leto. (glejte poglavje »Nega pozimi«).
- 1.18 Filter zaščitite pred neposredno sončno svetlobo.
- 1.19 Izdelek ni primeren za temperaturo vode nad 35 °C ali pod 0 °C.
- 1.20 Uporabite samo dodatke, ki so zasnovani za uporabo s tem izdelkom. Uporaba drugih dodatkov ali nadomestnih delov lahko razveljavi vašo garancijo.

Splošne smernice

2.1 V shemi s tehničnimi informacijami na hrbtni strani so navedene splošne smernice o specifikacijah za filter in priporočeno črpalko. Za dobro delovanje je treba upoštevati tudi druge kondicijske faktorje, saj lahko ti zmanjšajo učinkovitost filtra.

- **Globina ribnika:** Podjetje Hozelock Cyprio za ribnike koi priporoča globino ribnika najmanj 1,2 metra. Pri ribnikih s povprečno globino manj kot 0,75 metra je kondicijski faktor +25 %. Plitvi ribniki so izpostavljeni sončni svetlobi in se hitro segrejejo. To spodbuja rast alg.
- **Lokacija:** Lokacija ribnika določa dnevno količino sončne svetlobe ali sence, ki jo prejme ribnik. Ribniki, izpostavljeni neposredni sončni svetlobi ves dan, imajo kondicijski faktor +25 %.
- **Podnebje:** Podnebje vpliva na temperaturo vode in stopnjo dejavnosti rib ter zahtev po hranjenju. Bolj kot so ribe dejavne, več vode mora filtrirni sistem prečrpati. V vročih podnebnih (npr. Južna Afrika) je kondicijski faktor +35 %. V zmernih podnebnih (npr. Južna Evropa) je kondicijski faktor +15 %. V podnebnju Severne Evrope (npr. v večini Velike Britanije) je kondicijski faktor +0 %.

PRIMER: Vzemimo na primer 2200-litrski ribnik z zlatimi ribicami globine 0,75 m (kondicijski faktor +25 %). Živite v Londonu, kar pomeni severnoevropsko podnebje (kondicijski faktor +0 %). Ribnik je izpostavljen neposredni sončni svetlobi (+25 %). Učinkovita prostornina vašega ribnika se tako poveča za 50 % (25 % + 25 %), zato boste morali prilagoditi velikost ribnika, saj ta trenutno drži 3300 litrov.

2.2 **Stopnja pretoka:** Za najboljše rezultate bi morala celotna prostornina ribnika preiti skozi filtrirni sistem Bioforce Revolution vsako uro in pol do dve uri in pol, pri čemer je za ribnike koi priporočljiva najvišja stopnja pretoka. Ne presežite najvišje stopnje pretoka, ki je navedena v shemi tehničnih specifikacij na hrbtni strani. Ustrezna stopnja pretoka je zelo pomembna za ohranjanje čiste vode. Če v vaši namestitvi ni velikih izgub (npr. dolg pretok po cevih), je morda potrebno prilagoditi pretok in doseči stopnjo realizacije v eni in pol do dveh ur in pol, tako da uporabite pipo za nadzor pretoka.

Cev z majhnim premerom, predolga cev in visok vzgon črpanja («glava») lahko znatno vplivajo na zmanjšanje učinkovitosti črpalke. Priporočamo črpalko, ki bo omogočala zahtevan pretok za polni statični vzgon (= navpična razdalja med površino ribnika in dovodom filtra), ter dodatnega 0,6 metra za morebitne izgube zaradi trenja v cevih.

Namen filtriranja je prenesti odpadne snovi iz ribnika v filter, zato bi morala biti vsaka črpalka, ki se uporablja kot del paketa, dovolj učinkovita za ravnanje s trdnimi snovmi, kot je serija črpalk Aquaforce znamke Hozelock Cyprio, ki so bile zasnovane izrecno za ribnike velikostnega razreda Bioforce Revolution. Črpalko namestite v najglobljem delu ribnika in zagotovite najboljši pretok vode v ribniku ter povečajte učinkovitost ravnanja s trdnimi snovmi. Črpalke namestite na vodoravno ploščad, ki je 300 milimetrov nad dnom dna ribnika. Tako boste preprečili, da bi črpalka črpala umazano neposredno z dna ribnika, in omogočili, da bo v ribniku ostala zadostna

količina vode, če bi prišlo do puščanja vode iz ribnika.

Kako preveriti stopnjo pretoka: Uporabite posodo z znano prostornino in merite, koliko časa je potrebno, da se napolni (v sekundah). Nato delite število 3600 s številom sekund, kolikor jih je potrebno za napolnitev posode, nato pa pomnožite s prostornino posode (v litrih ali galonah). Ta rezultat je stopnja pretoka v litrih ali galonah na uro (l/h ali g/h).

- 2.3 **Gostota gojenja rib:** Pri običajnih pogojih in običajnem urniku hranjenja filtrirni sistem Bioforce Revolution omogoča zmogljivost ribnika do 50 centimetrov na 1000 litrov (10 palcev rib na 100 galon vode). V prvih tednih v ribnik počasi uvajajte ribe, do 20 % največje priporočene ravni. Če želite, nato po šestih mesecih zvišajte na 50 %. Ravnovesje bo omogočilo rast rib.
- 2.4 **Postopki zdravljenja ribnika:** Nekatera zdravilna/terapevtska sredstva lahko zelo hitro razpadajo zaradi sevanja UVC. Med zdravljenjem bolezni izključite filter. Mehanska in biološka filtracija bosta še naprej delovali. Če se na površini ribnika razbohotijo nitaste alge, izključite črpalko in filter, dokler ne odstranite teh alg iz ribnika.
- 2.5 Zlasti pazljivi bodite pri priključkih cevi, saj lahko puščanje cevi povzroči izgubo vode v ribniku.

Namestitev

- 3.1 **Pomembno:** S serijo filtrov Bioforce Revolution ne uporabljajte črpalke s stopnjo pretoka, višjo od 8000 l/h, ali največje glave, večje od 5 metrov.
- 3.2 **Pomembno:** Filtre Bioforce Revolution je dovoljeno namestiti samo v pokončnem in navpičnem položaju (slika 6).
- 3.3 Filtre Bioforce Revolution je mogoče krmiliti prek črpalke, zunanega filtra pod tlakom in enot UVC, ki so primerni za namestitve nad tlemi (slika 7) ali v tleh (slika 8) v bližini ribnika ali na vrhu slapa. Če se odločite za namestitev filtra nad tlemi, namestite filter na ravno vodoravno površino. Če se odločite delno zakopati filter, poskrbite, da boste trdno zapolnili izkopano jamo s stisnjnim peskom in omogočili podporo enoti. Če se odločite za tovrstno namestitev, pustite vsaj 50 milimetrov razdalje med objemko in tlemi ter tako zagotovite enostavno odstranitev ob letnem vzdrževanju.
- 3.4 Uporaba cevi z manjšim premerom lahko povzroči oviranje pretoka vode. Večji premer cevi kot boste uporabili, boljša bo učinkovitost filtra, zlasti pri daljših cevnih nastavkih. Cevni nastavki, dobavljeni z enoto, so namenjeni za 25-milimetrske (1-palčne), 32-milimetrske (1¼-palčne) in 40-milimetrske (1½-palčne) ceviCypriplex. Pri uporabi filtrov Bioforce Revolution vedno priporočamo uporabo cevi s premerom 40 milimetrov, s čimer preprečite oviranje pretoka vode. Po izbiri zelenega premera cevi odrežite dele cevne nastavka, ki so manjši od premera cevi, in preprečite oviranje pretoka (slika 9). Črpalka, ki dovaja vodo v filter, in odvod povratne cevi ribnika morata biti čim bolj oddaljena za optimalno kroženje vode, zato upoštevajte to pri nakupu, merjenju in rezanju cevi Cypriplex. Pritrdite cev z ustrezno dolžino med dovodno črpalko

in dovodom filtra (slika 10 (i)) ter pritrdite cev na cevni priključek z uporabo cevnih objemk Hozelock Cyprio, ki so na voljo ločeno. Nato na enak način priključite ustrezno dolžino cevi na odvod filtra (slika 10 (ii)). Za več informacij o odvodu odpadne vode (slika 10 (iii)) glejte poglavje »Čiščenje«.

Črpalko položite na ustrezno mesto v ribniku in postavite konec odvodne cevi tako, da bo filtrirana voda stekla nazaj v ribnik.

Izogibajte se vzolom in ostrim pregibom pri nameščanju cevi. Cevi naj bodo čim krajše za nemoten pretok.

- 3.5 Zagotovite, da je navijalna ročka nameščena nad električnim ohišjem. Primate držalo navijalne ročke in pokrov ter ga priključite na ročko za čiščenje tako, da ga položite na ročko in s klikom namestite v ustrezen položaj (slika 11).

Vaš filter je zdaj pripravljen za uporabo.

Upravljanje

- 4.1 **Zagotovite, da je preusmeritveni ventil obrnjen proti odvodu ribnika (slika 12).**
- 4.2 Priključite napajalni kabel filtra (glejte 1. poglavje – Varnost in električni priključki). S tem boste vključili žarnico UV-C. Delovanje žarnice lahko preverite tako, da opazujete moder odsev indikatorske leče za žarnico UV na vrhu ohišja (slika 1 (c)).
- 4.3 Vključite črpalko.
- 4.4 **Obdobja delovanja:** Filter mora delovati 24 ur na dan. Najbolje bi bilo, da bi deloval celo leto, vendar naj deluje vsaj v obdobju hranjenja (tj. dokler temperatura vode ne pade pod 10 °C). Pozimi boste z upravljanjem črpalke in filtra ohranjali osnovno raven koristnih bakterij v sistemu Bioforce in preprečili zamrznitev ribnika. Če pozimi izključite črpalko, filter temeljito izperite, preden znova zaženete filter spomladi (glejte poglavje »Shranjevanje pozimi«, 11.0). Rib nikoli ne hranite, če filter ni vključen.

Zorenje

- 5.1 Biološko zorenje pomeni, da se je v filtru nabralo dovolj nitrifikacijskih bakterij, ki pretvorijo nevarne ribje in organske odpadke (npr. amoniak, nitriti) v sorazmerno neškodljive nitrate. Postopek navadno traja 6-8 tednov, vendar je odvisen od številnih dejavnikov, kot je temperatura vode, stopnja hranjenja in gostota rib v ribniku. Pospešite zorenje z dodajanjem sredstva za zorenje Hozelock Cyprio Filter Start.

Čiščenje

Kdaj očistiti filtrirni sistem Bioforce Revolution:

Filtri Bioforce Revolution omogočajo najboljšo učinkovitost z najmanjšo stopnjo vzdrževanja. Če je filter zelo umazan, ga je na začetku morda treba očistiti vsakih nekaj dni, saj zelo hitro absorbira umazanijo. Ko bo ribnik čist, bo treba odstraniti manj umazanije ter posledično redkeje čistiti filter. Filtri pod tlakom so najbolj učinkoviti, ko postane pena delno zasičena. Vendar pa se ob povečani zasičenosti zmanjša stopnja pretoka, saj bo manj vode steklo skozi peno, zato je čiščenje nujno.

- 6.1 Izključite črpalko iz napajanja.
- 6.2 Priključite ustrezno dolžino cevi na odvod za odpadno

vodo (slika 10(iii)) s priloženim cevnim nastavkom in cevno objemko. Konec cevi za odpadno vodo je lahko nameščen nad odtokom ali nad cvetlično gredo. Odpadna voda je odlično gnajilo.

- 6.3 Večkrat obrnite ročko. Priporočamo več obratov v levo in desno (slika 13). Ob obračanju ročke se rumene čistilne lopatice (slika 2 (g)) vrtijo, razprejo in stisnejo vsako kocko pene ter omogočajo sproščanje umazanije, ki se je zbrala v peni.
- 6.4 Preusmeritveni ventil obrnite v smer za odvod umazanije (slika 14). Slišali boste »klik«.
- 6.5 Vključite črpalko.
- 6.6 Še vedno vrtite ročko (dokončajte obrate v obe smeri). Najprej bo odpadna voda intenzivno zelena ali rjava, odvisno od lastnosti ribnika.

Čez nekaj časa bo intenzivnost barve odpadne vode zbledela in voda se bo začela čistiti. Na tej točki prenehajte z vrtenjem in vrnite ročko nazaj v položaj za shranjevanje nad glavnim ohišjem (slika 15).

Počakajte 5 sekund, da se splaknejo še zadnji odpadni delci, nato pa obrnite preusmeritveni ventil nazaj proti ribniku.

OPOZORILO: Če boste ventil pustili v položaju za odvod umazanije, bo ta izpraznil ribnik. Prepričajte se, da je priključen nazaj na odvod ribnika.

- 6.7 Čas, potreben za čiščenje filtra, je odvisen od številnih dejavnikov, vendar pogosteje kot ga čistite, manj časa vam bo čiščenje vzelo. Običajno čiščenje traja nekaj minut.

Občasno boste morali do vrha napolniti ribnik ter zamenjati odpadno vodo, ki ste jo odstranili med čiščenjem. Delne zamenjave vode so pomemben vidik vzdrževanja zdravega vodnega sistema v ribniku.

Vzdrževanje

Opozorilo: Pred odpiranjem naprave preberite ta navodila za vzdrževanje.

Opozorilo: med uporabo črpalke in filtra ne poskušajte odpreti pokrova ali električnega ohišja. Na objemki pokrova je na voljo reža za ključavnico, s katero lahko preprečite naključno odpiranje. Priporočamo, da uporabljate ključavnico, če je velika verjetnost prisotnosti otrok.

- 7.1 **Menjava žarnice UV:**

Opozorilo: Pred izključitvijo oddajnika UV-C je treba napravo izključiti iz električnega omrežja.

Učinkovitost žarnice UV se čez čas znatno zmanjša, zato jo zamenjajte vsakih 12 mesecev, tudi če žarnica še vedno deluje.

- 7.1.1 Izključite dovodno črpalko in filter iz napajanja.
- 7.1.2 Zmenjevalni ventil obrnite v položaj za odvod umazanije. S tem omogočite, da se notranji tlak izravna s atmosferskim tlakom ter omogoča enostavno odstranitev električnega ohišja brez vode na površju pokrova.
- 7.1.3 Ročko za čiščenje obrnite za pol obrata, tako da bo obrnjena stran od električnega ohišja (slika 16 (i)).

- 7.1.4** Uporabite izvijač in odstranite 5 vijakov, s katerimi je električno ohišje pritrjeno na pokrov. (slika 16 (ii)). Med dovodom in odvodom filtra je na voljo žep za shranjevanje vijakov med menjavanjem žarnice (slika 16 (iii)).
- 7.1.5** Držite električno ohišje in narahlo povlecite navzgor ter odstranite električno ohišje. Ohišje obrnite navzdol ter ga položite na suho in ravno površino.
- 7.1.6** Fig 17. Odvijte zaklepni obroč na kvarčni cevi (i). Narahlo držite kvarčno cev (ii), jo dvignite in odstranite skupaj z o-tesnilnimi obroči (iii) in zaklepnim obročem.
- 7.1.7** Rabljeno žarnico odstranite tako, da jo narahlo povlecite iz držala in odstranite črno zaščitno kapico s spodnjega dela žarnice (slika 17 (iv)) ter odstranite ploščo reflektorja (Fig 17 (v)). Rabljeno žarnico odstranite skladno s krajevnimi predpisi ter namestite novo žarnico.
- 7.1.8** Znova namestite ploščo reflektorja ter potisnite črno kapico do spodnjega dela žarnice.
- 7.1.9** Povlecite kvarčno cev navzdol čez žarnico. Zagotovite, da so o-tesnilni obroči na podstavku kvarčne cevi čisti in brez ostankov.
- 7.1.10** Zaklepni obroč povlecite navzdol čez kvarčno cev in pritrdite z vijaki. Vijake privijete tako, da bosta zaklepni obroči in ohišje zatesnjena in tako, da obroča ni mogoče trdneje priviti.
- 7.1.11** Znova namestite električno ohišje. Ohišje lahko namestite samo v enem položaju, zato ne pritiskajte s silo. Ko je nameščeno v ustreznem položaju, znova privijte 5 vijakov. Vijaki morajo biti povsem pritrjeni, da bi zagotovili vklop zapornega stikala.
- 7.1.12** Preusmeritveni ventil obrnite nazaj proti ribniku, ročko za čiščenje pa v položaj za shranjevanje.
- 7.1.13** Znova zaženite črpalko in pregledajte za morebitno puščanje, nato vključite žarnico UV. Opazujte moder odsev indikatorske leče za žarnico UV.

7.2 Nega kvarčne cevi za žarnico UV:

Zlasti v predelih s trdo vodo lahko postane prevleka kvarčne cevi za žarnico UVC prekrita z vodnim kamnom. Nalaganje vodnega kamna zmanjša učinkovitost enote. Za čiščenje izključite črpalko in napajanje žarnice UV, odstranite električno ohišje, kot je opisano v poglavju 7.1, ter obrišite kvarčno cev z mehko krpo, navlaženo z nežnim čistilnim sredstvom, kot je kis (glejte sliko 18). Med čiščenjem kvarčne cevi uporabljate zaščitno obleko, kot so zaščitna očala in rokavice.

7.3 Menjavanje pene Cypricube:

Enkrat letno pregledjte peno. Pogostost menjavanja pene je odvisna od lastnosti ribnika. Priporočamo, da peno zamenjate pozimi in pred začetkom ponovnega hranjenja rib v začetku pomladi¹. Menjavanje pene v drugem letnem času lahko povzroči spremembe kemikalij v ribniku, to pa lahko poškoduje ribe.

¹Ker se ribnik jeseni ohladi, se ribe začnejo umirjati in pripravljati na obdobje delnega spanja. Njihov prebavni in imunski sistem se upočasnijo in niso več sposobne prebavljati enake vrste hrane, kot jo prebavljajo v poletnih mesecih. Če so lačne, se hranijo z enostavnimi hranili, ki so običajno v okolju ribnika. Ko temperatura ribnika pade pod 10 °C in ostane nizka dlje časa, prenehajte hraniti ribe. Ob toplejšem vremenu v začetku pomladi, ko postanejo ribe bolj dejavne, jih

lahko začnete postopoma hraniti.

- 7.3.1** Dovodno črpalko in filter izključite iz napajanja.
- 7.3.2** Preusmeritveni ventil obrnite v položaj za odvod umazanije. To omogoča, da se notranji tlak izravna z atmosferskim tlakom ter omogoča enostavno odstranitev pokrova.
- 7.3.3** Odprite objemko pokrova (slika 2(n)). Narahlo odprite in odstranite pokrov z 2 ročicama v režah na levi in desni strani (slika 19). Morda boste lažje odstranili, če odstranite pritrjene cevi.
- 7.3.4** Dvignite in odstranite vedro za peno (slika 2(i)) in odstranite uporabljeno peno. Odstranite vodo iz filtrirne posode ter zberite biološko vsebino v mrežo. Biološka vsebina ne zahteva vzdrževanja.
- 7.3.5** Če je dno posode prekrito s plastjo usedline, izperite dno posode z manjšo količino vode iz ribnika.
- 7.3.6** Zamenjajte biološko vsebino in zagotovite, da je ta nameščena v biološkem lijaku (slika 2(o)) na dnu posode. V biološkem lijaku ne sme biti prisotna biološka vsebina (slika 20).
- 7.3.7** Vedro s peno položite v posodo. Zavrtite vedro s peno, dokler se majhni trikotniki na vrhu vedra ne poravnajo z navpičnimi linijami notranje strani filtrirne posode (slika 21). Vedro s peno bo zdrsnilo na svoje mesto. Zagotovite, da je vedro s peno ustrezno nameščeno in omogočite enostavno namestitev pokrova.
- 7.3.8** Vedro za peno napolnite s pripravljeno količino nadomestne pene Cypricube. Ne skrbite, če nove kocke pene zavzamejo malo več prostora. Zagotovite, da pena ne pade skozi osrednjo odprtino v področje z biološkim lijakom.
- Pene nikoli ne mečkajte, da bi napolnili večjo količino vedra. Suho peno dodajajte narahlo, ta pa ne sme segati višje od filtrirne posode (slika 22). Če boste dodali preveliko količino pene, boste težje očistili filter.
- 7.3.9** Poskrbite, da je tesnilo (slika 2(l)) na vrhu filtrirne posode v ustreznem položaju in brez umazanije in ostankov. Na tesnilo dodajte tanko prevleko silikonskega maziva, če je to potrebno za lažjo montažo. Znova namestite pokrov. Povlecite osrednjo črno cev, ki pokriva žarnico UV, navzdol do osrednje odprtine.
- 7.3.10** Znova namestite objemko pokrova. Zagotovite, da se pod objemko ne zbira voda, in poskrbite, da bo zgib ročice namazan z mazivom na osnovi olja.
- 7.3.11** Izenjevalni ventil obrnite nazaj proti ribniku in namestite ročko za čiščenje v položaj za shranjevanje.
- 7.3.12** Pred ponovnim zagonom črpalke preverite za morebitno puščanje. Nato vključite žarnico UV. Opazujte moder odsev indikatorske leče za žarnico UV.

Shranjevanje pozimi

- 8.1** V hladnih zimskih mesecih (ko so ribe nedejavne in se ustavi rast alg) lahko enoto izključite. Nato jo odstranite, temeljito izperite, očistite, osušite in hranite v suhem prostoru, zaščitnim pred mrazom. Enoto vedno hranite brez pokrova in zagotovite zadostno zračenje in sušenje.

Reševanje težav/pogosta vprašanja

Težava	Možen vzrok	Pomoč
Ni vodnega pretoka skozi filter v ribnik.	Dovodna črpalka je izključena ali ne deluje.	Preverite, ali črpalka deluje ter ali je vključena.
	Dovodna cev je zamašena.	Preverite za morebitne zamašitve v dovodni in povratni cevi.
	Preusmeritveni ventil je nastavljen v položaj za »odvod umazanije«.	Preusmeritveni ventil obrnite v smer »proti ribniku«.
Zmanjšán pretok skozi filter	Pena je zasičena.	Očistite filter (glejte poglavje »Čiščenje«).
	Dovodna cev je zamašena.	Preverite za morebitno zamašitev dovodne cevi in povratne cevi.
Voda se ne očisti	Novi filter se še ni dovolj razvil (dozorel).	Čistost vode v ribniku se izboljša po 2 do 3 tednih, popolno biološko zorenje pa traja 6 do 8 tednov in šele takrat je filter povsem učinkovit.
	Filter ni ustrezne velikosti za vaš ribnik.	Preverite, ali uporabljate ustrezen filter za vaš ribnik.
	Dovodna črpalka napačne velikosti.	Preverite stopnjo pretoka. Glejte poglavje 2.2.
	Pregorela žarnica UV.	Preverite indikatorsko lečo za žarnico UV. Zamenjajte žarnico UV.
	Stara žarnica UV.	Žarnico UV zamenjajte vsakih 12 mesecev.
	Treba je očistiti kocke pene.	Očistite filter (glejte poglavje »Čiščenje«).
	Odvod povratne cevi ribnika je nameščen nad dovodno črpalko.	Premaknite črpalko ali odvod povratne cevi ribnika tako, da sta čim dlje narazen.
	V ribniku je preveliko število rib.	Zmanjšajte količino rib v ribniku.
Prekomerno hranjenje.	Ribe hranite samo s toliko hrane, kot jo lahko zaužijejo v nekaj minutah. Hranite samo enkrat dnevno.	

Težava	Možen vzrok	Pomoč
Ročke za čiščenje ni mogoče obrniti.	Črpalka se zažene na začetku čiščenja.	Izključite črpalko. Ročko večkrat obrnite v obe smeri. Vključite črpalko (glejte poglavje »Čiščenje«).

Garancija podjetja Hozelock Cyprio za čisto vodo

ZAGOTAVLJAMO VAM ČISTO VODO ALI VAM VRNEMO DENAR za filtrirni sistem Bioforce Revolution podjetja Hozelock Cyprio ob uporabi ustrezne črpalke. Ta garancija velja 12 mesecev po nakupu ob upoštevanju naslednjih pogojev:

- Upoštevali ste navodila za namestitve in uporabo.
- Uporabljate opremo ustrezne velikosti in skladno s podatki o velikosti podjetja Hozelock Cyprio.
- V primeru težav ste se dovolj zgodaj obrnili na telefonsko številko za pomoč uporabnikom (0121 313 1122).
- Izdelek je bil vrnjen nepoškodovan.

Vračilo denarja lahko odobri samo podjetje Hozelock Cyprio in se opravi samo v kraju opravljenega nakupa in za znesek, ki je enak nakupni ceni filtra. Upoštevajte, da garancija za čisto vodo ne obsega izgubo čistosti vode zaradi razrasti plevla, temveč zaradi zelenih alg.

2-letna garancija podjetja Hozelock Cyprio

Če sistem Bioforce Revolution (brez žarnice) postane neuporaben v 2 letih od dneva nakupa, ga bomo brezplačno popravili ali zamenjali glede na vašo željo, razen če ugotovimo, da je bil sistem poškodovan. Ne sprejemamo odgovornosti za poškodbe zaradi nesreče, neustrezne namestitve ali uporabe. Odgovornost je omejena na zamenjavo okvarjene enote. Garancija ni prenosljiva. Ne vpliva na vaše zakonske pravice. Za koriščenje te garancije se najprej obrnite na storitev za stranke podjetja Hozelock Cyprio, ki lahko zahteva pošiljanje enote s potrdilom o nakupu neposredno na spodnji naslov.

Stik/nadomestni deli

www.hozelock.com

Tehnični podatki

Številka dela	1352	1353	1354
Serija	Bioforce Revolution		
Volti (V)	230V 50Hz		
Zmogljivost žarnice UVC (W)	18	24	36
Največja velikost ribnika z ribami	6000 litrov (1320 galon)	9000 litrov (1980 galon)	14000 litrov (3080 galon)
Največja velikost ribnika brez rib	12000 litrov (2640 galon)	18000 litrov (3960 galon)	28000 litrov (6160 galon)

Številka dela	1352	1353	1354
Največja velikost črpalke Hozelock Cyprio Aquaforce (l/h)	4000	6000	8000
Najvišji pretok, Q _{najv.} , (l/h)	3000	4500	7000
Ocena IP	IP57	IP57	IP57
Najvišja temperatura vode T _{najv.} , (°C)	35°C	35°C	35°C
Čistilni sistem Bioforce Revolution	✓	✓	✓
* izmerjeno v nadzorovanih okoliščinah			



Električnih naprav ne odlagajte kot mešanih komunalnih odpadkov, temveč uporabljajte ločene zbiralne zabojnike. Za informacije v zvezi z razpoložljivimi sistemi za zbiranje odpadkov se obrnite na lokalno vlado. Če električne naprave odlagate na odpadnih ali smetiščih, lahko nevarne snovi prodrejo v podtalnico in preidejo v prehransko verigo ter ogrozijo vaše zdravje in počutje. V Evropski uniji je pri zamenjavi starih naprav z novimi prodajalec po zakonu dolžan vsaj brezplačno vzeti nazaj vašo staro napravo in poskrbeti za njeno odlaganje.

HOZELOCK

Hozelock Ltd.
Midpoint Park, Birmingham,
B76 1AB. England
Tel: +44 (0) 121 313 1122

www.hozelock.com

33853-000