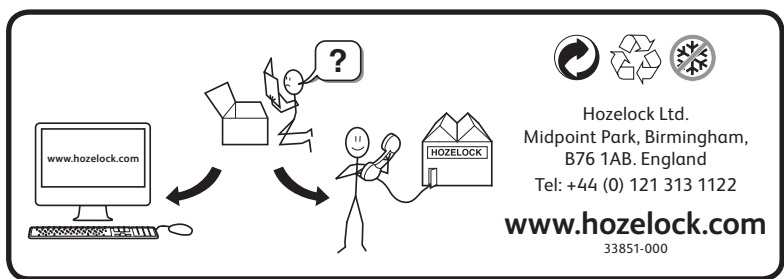

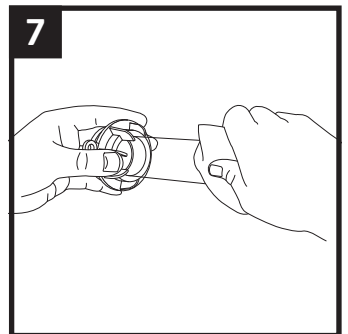
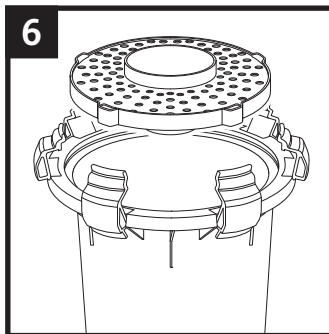
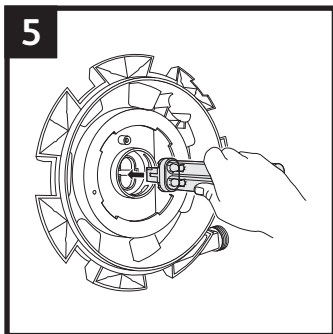
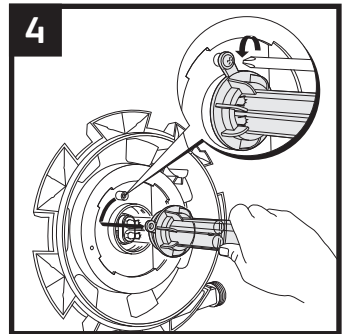
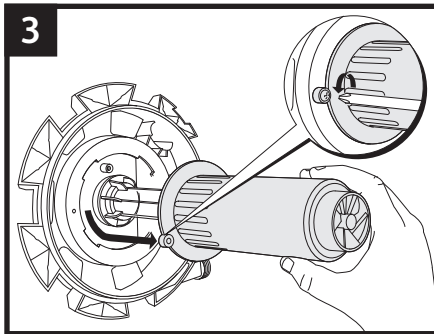
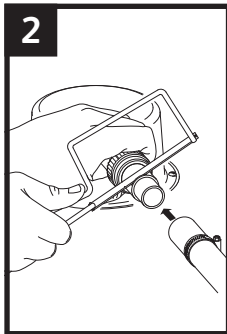
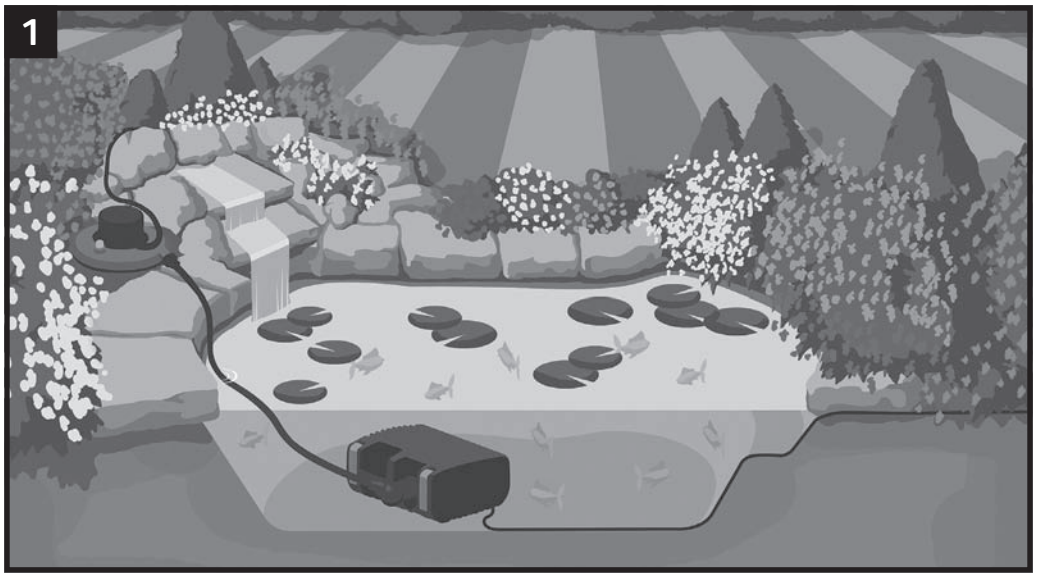


BIOFORCE 6000/9000





Hozelock Ltd.
Midpoint Park, Birmingham,
B76 1AB, England
Tel: +44 (0) 121 313 1122
www.hozelock.com
33851-000



Thank you for choosing a Hozelock quality product, you can be assured of many years of reliable service from this product.

Attention: UV Caution

Exposure to Ultra Violet (UV) radiation can be dangerous and cause damage to eyes and skin. Under no circumstances should any attempt be made to gain access to the lamp when the unit is switched on.

From 1st January 2005 installing this product in the garden is classed as 'notifiable' in the revised Building Regulations for England and Wales. The Regulations now require you to tell your local authority building control department that you intend to install this product before installation. Your local authority will let you know how you can get your installation approved.

Safety Information

The appliance is not intended for use by persons (including children) with reduced physical, sensory or mental capabilities, or lack of experience and knowledge, unless they have been given supervision or instruction concerning use of the appliance by a person responsible for their safety. Children should be supervised to ensure that they do not play with the appliance.

(Australia & NZ only)

This appliance is not intended for use by young children or infirm persons unless they have been adequately supervised by a responsible person to ensure that they can use the appliance safely.

Young children should be supervised to ensure that they do not play with the appliance.



PLEASE READ CAREFULLY AND KEEP THESE INSTRUCTIONS

Hozelock Cyprio Bioforce filters are a new concept in fish life-support systems for garden ponds. They are:

- **SMALL** yet **EFFICIENT**
- **EASY** to **CONCEAL**
- **TROUBLE-FREE** to **MAINTAIN**

And they can be sited almost anywhere (See Fig 1).

When used with the appropriate pond pump, the Bioforce will remove unwanted solids from the water and convert dissolved organic and chemical fish waste into harmless compounds. In addition, the combined filter/UVC units will give Guaranteed Clear Water if the advice given in the Filter Equipment Selection Chart and in these instructions is adhered to.

Safety and Electrical Connections

- ⚠ **WARNING:** Always unplug or disconnect all appliances in the pond from the electricity supply before putting your hands in the water whilst equipment is being installed, repaired, maintained or handled.
- ⚠ This product is **NOT SUBMERSIBLE**, and should be sited where it cannot fall into the water or become waterlogged. However, the design is weatherproof, and Bioforce filters can safely be installed outdoors.
- ⚠ Direct exposure to ultra-violet light can damage eyes and skin. **DO NOT** attempt to view the lamp when lit, except briefly through the viewing lens.

- ⚠ This product is supplied complete with 5m of 3 core electric cable. For connection to the mains supply, use only three-core cable Ref: H05 RN-F. This has a minimum copper cross-section of 0.75mm² with Polychloroprene Rubber Insulation. The termination to the mains supply should be permanent, inside a dry weatherproof enclosure, through a double pole switched fused spur with a minimum contact gap of 3mm - (disconnecter) to BS 3676 - and fitted with a 3 or 5 amp fuse.
- ⚠ Exposed cable runs should be sensibly positioned, and protected if necessary by armoured conduit, especially if contact is likely with gardening equipment such as forks and lawnmowers, or children or domestic animals.
- ⚠ A 10mA or 30mA Residual Current Circuit Breaker (RCD) **MUST** be fitted to the mains supply.
- ⚠ The supply cable cannot be replaced. If the cable is damaged, the unit should be discarded.
- ⚠ The installation must conform to the national and local wiring regulations which could include the use of plastic or metal conduit to protect the cable.
- ⚠ If in any doubt about wiring to the mains supply, consult a qualified electrician or your local electricity authority.
- ⚠ Protect from frost if the unit is not to run year-round. In cold winter weather (when fish are not active and algal growth ceases), the unit may be switched off. It should then be drained of water, removed (if possible) from its installation and stored in a dry, frost-protected area.

Choosing the right size

The Technical Information section gives general guidelines on the specifications of pump, filter and flexible hose diameter for garden ponds up to 4500 ltrs (990 gallons). For best results, the following condition factors must also be taken into account.

Depth

Hozelock Cyprio recommend a minimum depth of 1.2m (4') for Koi ponds.

For a pond with an average depth of less than 0.75m (2' 6") the Condition Factor is + 25%. Shallow ponds are subject to full penetration of sunlight, and warm up quickly. This encourages algae growth.

Location

Pond location determines the daily amount of sunlight or shade a pond receives. Ponds exposed to full sunshine throughout the day have a Condition Factor of +25%.

Climate

Climate affects water temperatures and fish activity rate/feeding requirements. The more active the fish, the greater the demands on the filtration system.

In hot climates (eg South Africa), the Condition Factor is +35%

In temperate climates (eg Southern Europe), the Condition Factor is +15%

In a Northern European climate (eg most areas of Great Britain), the Condition Factor is +0%.

Example

You have a 2300 ltr (500 gallon) goldfish pond 60cms (2') deep (Condition Factor +25%). You live in London - a Northern European climate (Condition Factor +0%). The pond is exposed to full sunlight (+25%). The effective volume of your pond is therefore increased by 50% (25% + 25%), and you would need to size your equipment as though your pond held 3400 ltrs (750 gallons).

Installation

- 1.1 Important:** The pump supplying this unit must not have a maximum head exceeding 6m (8.5 PSI, 0.6 Bar)
- 1.2** Bioforce is a pump-fed, pressurised external filter with integral UVC, ideally suited to in-ground installation adjacent to your pond or concealed at the top of a waterfall. They may also be positioned above ground if desired.

If you choose to part-bury your Bioforce UVC filter, the excavation should be firmly back-filled with compacted sand to support the unit.
- 1.3** Bioforce filters incorporate inlet and outlet hoses to fit 20/25mm (3/4" - 1") Cypriflex hose (refer to Equipment Selection Chart overleaf). The pump and filter outlet pipe should be as far apart as possible for optimal water circulation, so bear this in mind when purchasing, measuring and cutting the Cypriflex hose.
- 1.4** Cut the hoses on your Bioforce to suit the diameter of the hose used (see Fig 2). Connect the hose from your pump to the inlet hose and secure with Hozelock Cyprio hoseclips, available separately. Do not overtighten.

The outlet hose is secured in the same way. Avoid kinks and bends, and keep this hose run as short as possible in order to minimise flow restrictions.

Lamp Installation and Replacement

- 2.1 Lid removal**
Undo the seven securing clips and gently remove the lid (If there is any difficulty, insert a coin into the slot provided and turn gently).
- 2.2** Remove the screw securing the central tube to the lid and rotate the tube anti-clockwise and pull to release (See Fig 3).
- 2.3** Remove the quartz glass tube in a similar way (See Fig 4).
- 2.4** With the lamp holder now accessible, push the lamp into position (See Fig 5).
- 2.5** Re-assemble the quartz tube into position, ensuring the screw boss is re-aligned and screw re-fitted. Re-assemble the central tube to the lid, twisting into position, and refit the securing screw.
- 2.6 Lid fitting**
Refit the lid, making sure the seal is in position and free of dirt and debris. Add a light coating of silicone grease to the seal if required to aid assembly. Re-engage the seven securing clips, ensuring all are firmly in place, and retighten the viewing lens.

Wiring

- 3.1 IMPORTANT:** This product is designed to be connected to a mains supply housed in a dry, weatherproof enclosure.
- 3.2 WARNING:** This appliance **MUST** be earthed, and it is essential that the connections are made using the following code:



Flow Rate

- 4.1** The entire pond volume should pass through the Bioforce every 1½ - 3 hours, the fastest flow rate being recommended for Koi ponds. Do not exceed the maximum flow rate, as stated in the Technical Information section overleaf. The correct flow rate is essential if you are to obtain clear water. If the flow is excessive for your installation it may be necessary to adjust the flow to achieve the 1½ - 3 hour turnover rate using a Hozelock Cyprio Flow Control Hose Tap.
- 4.2** Small-diameter hose, unnecessarily long hose runs and a high pumping lift ('head') can all considerably reduce a pump's output. We recommend choosing a pump that will deliver the required flow against full static lift (= vertical distance between pond surface and filter inlet), plus 0.6m (2ft) to allow for friction losses in hoses.
- 4.3** The objective of filtration is to transfer waste material from the pond into the filter, and so any pump used as part of the package should be capable of handling solids. We recommend the Hozelock Cyprio Aquaforce filter pump, specifically designed for ponds in the size range covered by Bioforce. The pump should be positioned on the bottom in the deepest part of the pond, as this is where solids accumulate.
- 4.4** How to check your flow rate: Take a container of a known volume and time how long it takes to fill (in seconds). Then divide 3600 by the number of seconds it takes to fill the container, and multiply by the volume (litres or gallons) of the container. The result will be the flow rate in gallons or litres per hour

Periods of Operation

- 5.1** Maintain filtration 24 hours a day throughout the fish feeding season (until water temperature falls below 10°C), but preferably all year round. In the winter, operating the pump and filter will maintain a background level of friendly bacteria in the Bioforce, and will help prevent the pond icing over in all but the severest weather conditions. If the pump is switched off for winter, the filter media (foam and/or Kaldnes™ biomedia) must be thoroughly washed before resuming filtration in the spring, and your Bioforce will need to be re-matured from scratch (see 'Maturation', 7.1). Never feed your fish when the filter is not in use.

Fish Stocking Density

- 6.1 Under normal conditions and feeding regime, the Bioforce range will support up to 50cm per 1000 litres (10" of fish per 100 gallons) of pond capacity. Introduce fish slowly over the first few weeks, up to 20% of maximum recommended level, increasing this if you wish to 50% after six months. The balance will allow for fish growth.

Maturation

- 7.1 Biological maturation means that the filter has built up sufficient nitrifying bacteria to convert harmful fish and other organic waste (ie Ammonia, Nitrite) into harmless Nitrate. The process normally takes 6-8 weeks, but is dependent upon many factors such as water temperature, feeding rate and stocking density. (It is recommended that you do not switch your UVC on during this period).

Cleaning your Bioforce

- 8.1 Bioforce filters deliver maximum performance with minimum maintenance. If the pond is very dirty, the filter may need cleaning every few days at first, as it takes up waste matter very quickly. Once the pond becomes clearer, there will become less waste to remove, so the filter will need cleaning less often. Pressurised filters are at their most efficient when the foam becomes partly blocked. However, as blockage increases, less water can flow through the foam and cleaning becomes necessary.

Note: Prolonged use of the filter under 'full' conditions will result in difficulty in cleaning and may reduce the life of the foam discs.

- 8.2 **IMPORTANT:** The possibility of dirty water being back siphoned through the filter and into the pond can be overcome by lifting the submerged outlet pipe from the water and above the height of the filter lid before switching off the pump. This will break any potential siphon. In conjunction with this, before any attempt is made to remove the lid, the viewing lens needs to be slightly unscrewed to relieve any additional potential siphon lock in the system.
- 8.3 **Thorough cleaning**
Undo the seven securing clips and gently remove the lid (If there is any difficulty, insert a coin into the slot provided and turn gently). Gently remove the foam from the filter vessel and squeeze out the dirt. Using the water in the filter, rinse out each foam in turn using a sponge action and squeeze the dirty water outside the filter vessel. Reposition the clean foam(s) - ensuring they lie flat. It may help to remove some of the water from the vessel.
Refit the lid, making sure the seal is in position and free of dirt and debris. Add a light coating of silicone grease to the seal if required to aid assembly. Re-engage the seven securing clips, ensuring all are firmly in place, and retighten the viewing lens.
- 8.4 **Back-Flush cleaning**
It is possible to increase the interval between thorough cleans by back flushing the Bioforce filter. This is simply achieved by swapping over the inlet and outlet pipes or connecting a separate waste pipe to the Bioforce inlet and switching the pump back on.

Note: Ensure that the return pipe is not left in the pond but is allowed to go to waste. Swap the pipes back over once water from the filter runs clear (about 30 seconds).

- 8.5 Normally, there is no need to remove the foam support plate. However, if you need to access the biomedica, remove the support plate by lifting it clear of the vessel (See fig.6). Make sure you refit the support plate correctly, so that the bio media is not released.

Care of the UV Quartz Tube

- 9.1 Especially in hard water areas the quartz sleeve sheathing the UVC lamp may become covered in lime scale. This will reduce the efficiency of the unit if it is allowed to build up. To clean, switch off the pump and the power supply to the UV, remove the lid and central tube, as described in note 2.1, and wipe the quartz tube with a soft cloth moistened with a gentle cleaning agent such as vinegar (See fig 7). The maximum life of a lamp is 12 months continuous use. Replace the lamp after this time, even though it may still glow.

Winter Storage

- 10.1 **IMPORTANT:** When not in use, the unit should be removed, thoroughly washed and cleaned, dried and stored in a dry frost protected area. Always store the unit with the lid off to ensure adequate ventilation and drying.

Clearwater Guarantee

WE GUARANTEE YOU CLEARWATER OR YOUR MONEY BACK. This guarantee runs for 12 months after purchase, provided that:

- You have followed the installation and operating instructions;
- You are using equipment of the correct size, according to the pond sizing chart
- You consult our help line (0121 313 1122) early enough for any problems to be put right
- The product has been returned undamaged

A refund can only be authorized by Hazelock Cyprio and is made at the place of purchase.

Please note that the Clearwater Guarantee does not cover loss of water clarity when blanketweed, as opposed to greenwater algae, is the cause.

Hazelock Cyprio 2 Year Guarantee

If this filter, excluding the UV lamp and foams, becomes unserviceable within 2 years of the date of purchase it will be repaired or replaced at our option free of charge, unless in our opinion it has been damaged or misused.

Liability is not accepted for damage due to accident, improper installation or use. Liability is limited to replacement of a faulty filter. This guarantee is not transferable. It does not affect your statutory rights.

To obtain the benefits of the guarantee, firstly contact Hazelock Cyprio Consumer Services who may request that the filter is sent along with proof of purchase directly to the address below.

Contact/Spare Parts

For product advice and spares please contact
Hozelock Cyprio Consumer Services on 0121 313 1122 or visit
www.hozelock.com

Technical Information

Part Number	1350	1351
Range	Bioforce	
Volts (V)	230V 50Hz	
UVC Power (W)	9	11
Maximum Pond size with Fish	3000 ltr (660 gal)	4500 ltr (990 gal)
Maximum Pond size without Fish	6000 ltr (1320 gal)	9000 ltr (1980 gal)
Hozelock Cyprio Aquaforce Pump Maximum Flow (LPH)	2500	4000
Hozelock Cyprio Aquaforce Pump Maximum Flow (GPH)	550	880
IP Rating	IPX4	IPX4
Max Water Temperature TMAX., (°C)	35°C	35°C
* Measured under controlled conditions		



Do not dispose of electrical appliances as unsorted municipal waste, use separate collection facilities. Contact your local government for information regarding the collection systems available. If electrical appliances are disposed of in landfills or dumps, hazardous substances can leak into the groundwater and get into the food chain, damaging your health and well-being. In the EU, when replacing old appliances with new ones, the retailer is legally obligated to take back your old appliance for disposal at least free of charge.

D

Vielen Dank, dass Sie sich für ein Qualitätsprodukt von Hozelock entschieden haben. Sie können versichert sein, dass Ihnen dieses Produkt zuverlässige Dienste erweisen wird.

Sicherheitshinweise

Das Gerät ist nicht für Personen (einschließlich Kinder) mit verminderter physischer, sensorischer oder mentaler Kapazität bzw. mangelnder Erfahrung und Kenntnisse vorgesehen, außer, sie werden von einer Person, die für ihre Sicherheit verantwortlich ist, bei der Benutzung des Geräts beaufsichtigt bzw. wurden von dieser Person unterwiesen. Kinder sollten beaufsichtigt werden, um zu verhindern, dass sie mit dem Gerät spielen.



DIESE ANLEITUNG BITTE SORGFÄLTIG DURCHLESEN UND AUFBEWAHREN

Hozelock Cyprio Bioforce-Filter sind ein vollkommen neues Konzept für fischfreundliche Gartenteiche. Bioforce-Filter sind

- **KLEIN und trotzdem LEISTUNGSSTARK**
- **LEICHT ZU VERBERGEN**
- **PROBLEMLOS INSTANDZUHALTEN**

Und sie können fast überall aufgestellt werden (Siehe Bild 1).

Zusammen mit einer geeigneten Teichpumpe entfernen sie Schmutzpartikel aus dem Wasser und setzen aufgelöste organische und chemische Fischreste in unschädliche Verbindungen um. Darüber hinaus liefern die kombinierten Filter-/UV-Kläranlagen bei Befolgung der Ratschläge in der Filterauswahltable und dieser Anleitung garantiert klares Wasser.

Sicherheit und netzanschluss

⚠ ACHTUNG: DIE STECKER ALLER GERÄTE IM TEICH ZIEHEN ODER DIE STROMVERSORGUNG UNTERBRECHEN, BEVOR SIE IHRE HÄNDE INS WASSER STRECKEN, WÄHREND DIE AUSTRÜSTUNG INSTALLIERT, REPARIERT, GEWARTET ODER BEDIENT WIRD.

- ⚠ Dieses Produkt ist KEIN UNTERWASSERFILTER und sollte aus diesem Grund so aufgestellt werden, daß es nicht in Wasser fallen bzw. darin getränkt werden kann. Die Konstruktion an sich ist jedoch wetterfest, so daß Bioforce-Filter ohne Bedenken im Außenbereich aufgestellt werden können.
- ⚠ Ultraviolettes Licht kann bei direkter Einstrahlung zu Schäden an Augen und Haut führen. Schauen Sie deshalb NICHT direkt in die eingeschaltete Lampe, sondern allenfalls nur ganz kurz durch die lichtundurchlässige Sichtlinse.
- ⚠ Dieses Produkt wird komplett mit einem 5 m langen dreiadrigen Kabel geliefert. Der mitgelieferte Netzstecker ist nicht wasserdicht.
- ⚠ Freiliegende Kabel sollten sinnvoll verlegt und bei Bedarf zum Schutz mit einem Panzerrohr ummantelt werden, insbesondere wenn eine Berührung mit Gartengeräten wie Harken und Rasenmähern oder durch Kinder und Haustiere nicht auszuschließen ist.
- ⚠ Im Stromnetz MUSS ein Fehlerstromschutzschalter (10mA oder 30mA) eingebaut sein.

- ⚠ Das Stromkabel kann nicht ersetzt werden. Wenn das Kabel beschädigt ist, muss die Anlage weggeworfen werden.
- ⚠ Die Installation muß nach den nationalen und örtlichen Bestimmungen durchgeführt werden. Eine Auflage kann unter anderem sein, daß das Stromkabel sich in einem Lehrrohr befinden muß.
- ⚠ Bei Fragen zur Verdrahtung am Stromnetz wenden Sie sich bitte an einen Elektriker oder die für Energiefragen zuständige Behörde vor Ort.
- ⚠ Anlage vor Frost schützen, wenn sie nicht ganzjährig betrieben wird. In kalten Wintern (wenn die Fische nicht aktiv sind und Algen nicht wachsen) kann die Anlage abgeschaltet werden. Sie sollte danach entleert, wenn möglich ausgebaut und an einem trockenen und frostgeschützten Ort aufbewahrt werden.

Berechnung der Teichanlage

Die Filterauswahltablelle auf der nächsten Seite enthält allgemeine Richtlinien für Pumpen, Filter und Schlauchdurchmesser für Gartenteiche bis zu 9000 Liter. Zur Anlage eines perfekten Gartenteiches müssen bei der Berechnung jedoch auch die nachstehend genannten Faktoren berücksichtigt werden.

Tiefe

Hozelock Cyprio empfiehlt eine Mindesttiefe von 1,2m für Teiche, die mit Koi besetzt werden.

Der Faktor für einen Teich mit einer durchschnittlichen Tiefe unter 0,75 m beträgt +25%. Bei flachen Teichen gelangen die Sonnenstrahlen bis auf den Teichgrund, wodurch sich der Teich schnell aufwärmt, was wiederum zu verstärktem Algenwachstum führt.

Standort

Der Standort eines Teiches bestimmt die täglichen Sonnen- bzw. Schattenstunden. Teiche, die den ganzen Tag in der Sonne liegen, haben den Faktor +25%.

Klima

Wassertemperatur und Fischaktivität/Fütterungsbedarf sind vom Klima abhängig. Je aktiver die Fische sind, desto mehr muß das Filtersystem leisten.

Für heiße Klimazonen (z. B. Südafrika) ist der Faktor +35%.

Für gemäßigte Klimazonen (z. B. Südeuropa) ist der Faktor +15%.

Für nordeuropäische Klimazonen (z. B. für den Großteil Großbritanniens) ist der Faktor +0%.

Beispiel

Sie haben einen Goldfischteich mit 2200 Liter Inhalt, der 60 cm tief ist (Faktor +25%). Sie wohnen in London, also in einer nordeuropäischen Klimazone (Faktor +0%). Der Teich liegt in der Sonne (+25%). Daraus ergibt sich eine Erhöhung der tatsächlichen Wassermenge in Ihrem Teich um 50% (25% + 25%). Sie müssen die Größe Ihrer Teichanlage demnach so berechnen, als ob der Inhalt Ihres Teiches 3409 Liter beträgt.

Anlage

- 1.1 **Wichtig:** Die maximal zulässige Förderhöhe der Pumpe, die für diese Anlage eingesetzt werden darf, ist 6m (0,6 Bar).

- 1.2 Bioforce-Filter sind pumpenbetriebene Druckfilter für den Außenbereich und UV-Anlagen, die sich ideal zum unterirdischen Einbau neben Ihrem Teich oder verborgen am oberen Ende eines Wasserfalles eignen. Sie können auf Wunsch auch überirdisch platziert werden.

Wenn Sie sich dazu entschließen, Ihren Bioforce-Filter und die UV zur Hälfte einzugraben, sollte die Grube zur Abstützung der Anlage fest mit dichtem Sand hinterfüllt werden.

- 1.3 Bioforce-Filter haben Einlaß- und Auslaßanschlußstücke für einen 20/25 mm (1/2" - 3/4") Cypriflex-Schlauch (siehe Filterauswahltablelle auf der nächsten Seite). Die Auslaßrohre der Pumpe und des Filters sollten zur Optimierung des Wasserkreislaufes so weit wie nur möglich voneinander entfernt liegen. Denken Sie beim Kauf, Messen und Zuschneiden des Cypriflex-Schlauches daran.

- 1.4 Schneiden Sie die Schlauchanschlußstücke an Ihrem Bioforce-Filter auf den ungefähren Durchmesser des verwendeten Schlauches zu (Siehe Bild 2). Schließen Sie dann den Schlauch von Ihrer Pumpe an das Einlaßanschlußstück an und sichern Sie ihn mit Hozelock Cyprio Schlauchklemmen (separat lieferbar). Nicht zu fest anziehen!

Schließen Sie den Auslaßschlauch auf die gleiche Weise an. Achten Sie darauf, daß keine Schlingen entstehen und daß der Schlauch nicht geknickt wird. Je kürzer der Schlauch, desto besser die Leistung.

Einsetzen und auswechseln der lampe

- 2.1 Sieben Sicherungsklemmen lösen und die Abdeckung vorsichtig abnehmen (eventuell mit einer Münze in der dafür vorgesehenen Kerbe nachhelfen).
- 2.2 Schraube zwischen Hauptrohre und Abdeckung lösen. Das Rohr gegen den Uhrzeigersinn drehen und herausziehen (siehe Abb. 3).
- 2.3 Quarzglasrohre auf ähnliche Weise entfernen (siehe Abb. 4).
- 2.4 Lampe in die dafür vorgesehene Halterung einsetzen (siehe Abb. 5).
- 2.5 Quarzrohr wieder einsetzen und mit der Schraube befestigen. Bajonettrohr wieder in die Abdeckung einsetzen, im Uhrzeigersinn drehen und mit der Sicherungsschraube befestigen.

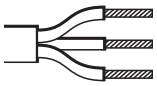
Verdrahtung

- 3.1 **WICHTIG:** Dieses Gerät muss an einen Hauptstromanschluss in einer trockenen wittergeschützten Umgebung angeschlossen werden. Wenn die Netzsteckdose außerhalb Reichweite liegt und das Kabel verlängert werden muss, ist der Einsatz eines wasserdichten Verbinders erforderlich und das Verlängerungskabel muss mit Polychloropren-Gummi isoliert werden, Best.nr.: H05 RN-F 3-Leiterkabel 0,75mm².
- 3.2 **WARNUNG:** Dieses Gerät MUSS geerdet und unbedingt wie nachstehend beschrieben angeschlossen werden:

Der BRAUNE Draht muss an die mit L gekennzeichnete STROMFÜHRENDE Anschlussklemme angeschlossen werden.

Der **BLAUE Draht** muss an die mit **N** gekennzeichnete **NEUTRALE Anschlussklemme** angeschlossen werden.

Der **GRÜN-GELBE Draht** muss an die mit “**gekennzeichnete GEERDETE Anschlussklemme** angeschlossen werden.



Braun - Stromführend

Blau - Nulleiter

Grün/Gelb - Erde

Durchflußmenge

- 4.1 Das Wasser im Teich sollte alle 1 1/2 - 3 Stunden durch den Bioforce-Filter gefiltert werden. Für Teiche mit Koi wird die höchste Durchflußmenge empfohlen. Überschreiten Sie diese Durchflußmenge nicht (siehe Filterauswahltabelle). Die richtige Einstellung der Durchflußmenge ist für klares Wasser unerlässlich. Wenn Ihre Anlage ohne hohe Verluste (z. B. lange Schläuche) läuft, muß die Durchflußmenge u. U. angepaßt werden, um einen Durchfluß im 1 1/2 - 3-Stundentakt zu erreichen. Verwenden Sie in diesem Fall einen Hozelock Cyprio-Mengenregelhahn.
- 4.2 Die Leistung einer Pumpe kann durch einen Schlauch mit kleinem Durchmesser, unnötig lange Schläuche und eine hohe Förderhöhe erheblich sinken. Wir empfehlen, eine Pumpe zu wählen, die die erwünschte Durchflußmenge bei vollem statischem Auftrieb (= senkrechter Abstand zwischen Teichoberfläche und Filtereinlaß) plus 0,6 m erbringt. So können Reibungsverluste in Schläuchen ausgeglichen werden.
- 4.3 Ziel des Filtervorganges ist es, unerwünschte Festkörper aus dem Teich in den Filter zu leiten. Aus diesem Grund sollte jede verwendete Pumpe Festkörper pumpen können. Wir empfehlen die Filterpumpe von Hozelock Cyprio, die speziell für Teiche in Größenordnungen ausgelegt ist, die vom Bioforce-Filter abgedeckt werden. Die Pumpe sollte an die tiefste Stelle im Teich gestellt werden, weil sich dort Festkörper ansammeln.
- 4.4 **Überprüfung der Durchflußmenge:**
Füllen Sie einen Behälter mit bekanntem Fassungsvermögen und stoppen Sie die Zeit in Sekunden, bis der Behälter gefüllt ist. Teilen Sie dann 3600 durch die gestoppten Sekunden und nehmen Sie den errechneten Wert mit dem Fassungsvermögen des Behälters (in Litern) mal. Das Ergebnis ist die Durchflußmenge in Litern pro Stunde.

Betriebsdauer

- 5.1 Filtern Sie während der Fütterungszeit 24 Stunden lang (bis die Wassertemperatur unter 10 °C fällt), vorzugsweise jedoch ganzjährig. Im Winter bleiben durch den Betrieb der Pumpe und des Filters einige nützliche Bakterien im Bioforce-Filter und der Teich friert außer bei extremen Temperaturen nicht zu. Wenn die Pumpe über den Winter abgeschaltet wird, muß das Filtermedium (Schaumstoff und/oder Kunststoffbiomedium) gründlich ausgewaschen werden. Im Frühjahr muß Ihr Bioforce-Filter ganz neu reifen (siehe Reifung, 7.1). Füttern Sie Ihre Fische niemals, wenn der Filter nicht in Betrieb ist.

Fischbesetzung und -anzahl

- 6.1 Unter normalen Bedingungen und bei einer normalen Fütterung arbeitet das Bioforce-Sortiment effektiv bei bis zu 50 cm Fisch pro 1000 Liter Teichinhalt. Setzen Sie Ihre Fische während der ersten Wochen langsam in den Teich ein (bis zu 20% der empfohlenen Höchstzahl), und erhöhen Sie diese Zahl, wenn Sie wollen, nach sechs Monaten auf 50%. Damit bleibt im Teich genügend Raum, wenn sich Ihre Fische fortpflanzen.

Reifung

- 7.1 Unter biologischer Reifung versteht man, daß der Filter genügend nitrifizierende Bakterien aufgebaut hat, um schädliche Fisch- und andere organische Reste (z. B. Ammoniak, Nitrit) in unschädliches Nitrat umzusetzen. Der Prozeß dauert gewöhnlich 6-8 Wochen, hängt aber von vielen Faktoren wie z. B. der Wassertemperatur, der Fütterungsmenge und Anzahl der Fische ab. (Es wird empfohlen, daß Sie Ihre UV während dieser Zeit nicht einschalten.)

Reinigung Des Bioforce-Filters

- 8.1 Bioforce-Filter sind für optimale Filterleistung und minimale Wartung ausgelegt. Wenn der Teich stark verschmutzt ist, muss der Filter am Anfang eventuell alle zwei oder drei Tage gereinigt werden, weil er durch das stark verschmutzte Teichwasser schneller verstopft. Sobald das Teichwasser etwas sauberer ist, wird der Filter nicht mehr so stark beansprucht und braucht daher auch nicht mehr so häufig gereinigt zu werden. Druckfilter funktionieren am besten, wenn der Schaum teilweise verstopft ist. Wenn der Schaum allerdings zu sehr verstopft, kann nicht mehr so viel Wasser durch den Schaum fließen. In diesem Fall muss der Filter gereinigt werden. **Hinweis:** Wenn der Filter nicht zu diesem Zeitpunkt gereinigt wird, erweist sich eine spätere Reinigung eventuell als umständlicher und die Lebensdauer der Schaumlagen verringert sich.
- 8.2 **WICHTIG:** Damit schmutziges Wasser nicht wieder rückwärts durch den Filter und in den Teich fließt, heben Sie das untergetauchte Auslassrohr aus dem Wasser und über den Filterdeckel, bevor Sie die Pumpe abschalten. Dadurch kann kein Wasser zurückfließen. In diesem Zusammenhang ist auch zu beachten, dass vor dem Abnehmen des Deckels die Sichtlinse leicht abgeschraubt werden muss, um eventuelle Rücklauferstopfungen im System zu lösen.
- 8.3 **Gründliche Reinigung**
Sieben Sicherungsklemmen lösen und Deckel vorsichtig abnehmen (bei Problemen mit Hilfe einer Münze im dafür vorgesehenen Schlitz Deckel vorsichtig drehen). Schaumstoffscheiben vorsichtig aus dem Filterkorb herausnehmen und auswringen. Alle Schaumstoffscheiben nacheinander im Filterwasser ausspülen und das schmutzige Wasser außerhalb des Filterkorbes auswringen. Schaumstoffscheibe(n) wieder einsetzen. Die Scheiben müssen flach liegen. Evtl. vorher zu Erleichterung etwas Wasser aus dem Filterkorb entfernen.
Deckel wieder aufsetzen und dabei sicherstellen, dass sich die Gummichtung an der richtigen Stelle befindet und sauber ist. Evtl. etwas Fett auf die Dichtung auftragen, wenn dadurch der Einbau erleichtert wird.

Mit den sieben Sicherungsklemmen befestigen und sicherstellen, dass alle Klemmen fest sitzen. Sichtlinse wieder festschrauben.

8.4 Rückspülreinigung

Wenn der Bioforce-Filter rückgespült wird, braucht der Filter seltener gründlich gereinigt zu werden. Hierzu müssen Sie nur den Einlass- und Auslassschlauch umstecken oder einen separaten Abflussschlauch an den Einlass des Bioforce anschließen und anschließend die Pumpe wieder einschalten.

Hinweis: Legen Sie das Ende des Rücklaufschlauchs so hin, dass der Schmutz aus dem Filter nicht wieder in den Teich läuft. Stecken Sie die Schläuche wieder um, sobald aus dem Filter nur noch sauberes Wasser herausläuft (nach ca. 30 Sekunden).

- 8.5 Im Normalfall braucht die Platte für den Schaum nicht entfernt zu werden. Wenn Sie jedoch an das Biomedium gelangen wollen, heben Sie die Platte aus dem Filter heraus (siehe Abb. 6). Bitte setzen Sie die Platte anschließend wieder richtig ein, damit das Biomedium nicht durch den ganzen Filter wirbeln kann.

Pflege Der UV-Quarzhöhre

- 9.1 Insbesondere in Hartwassergebieten können sich auf der Quarzhöhre kalkhaltige Ablagerungen bilden. Hierdurch wird die Leistung des Geräts beeinträchtigt. Zum Reinigen des Quarzrohrs die Pumpe abschalten und den Stecker des UV-Klärgeräts herausziehen, die Abdeckung und das Bajonnetrohr entfernen (siehe Punkt 2.1) und das Quarzrohr mit einem weichen Tuch reinigen, das mit einem sanften Reinigungsmittel wie z. B. Essig getränkt wurde (siehe Abb. 7). Die maximale Lebensdauer der Lampe beträgt 12 Monate im Dauerbetrieb. Wechseln Sie die Lampe nach diesem Zeitraum aus, auch wenn sie noch leuchtet.

Lagerung im winter

- 10.1 **WICHTIG:** Wenn das Gerät nicht verwendet wird, sollte es ausgebaut, gründlich gereinigt, getrocknet und an einem frostgeschützten Ort gelagert werden. Das Gerät immer ohne Abdeckung lagern, damit es innen nicht schimmeln oder feucht werden kann.

Klarwassergarantie

WIR GARANTIEREN IHNEN KLARES WASSER ODER IHR GELD ZURÜCK. Diese Garantie gilt für 12 Monate ab Kaufdatum vorbehaltlich folgender Bedingungen:

- Sie haben die Montage- und Bedienungsanleitung befolgt
- Sie verwenden Teichausrüstung in der richtigen Größe (entsprechend der Teichgrößentabelle)
- Das Produkt wurde unbeschädigt zurückgeschickt

Die Rückerstattung des Kaufpreises kann nur von Hozelock Cyprio autorisiert werden und erfolgt durch das Geschäft, in dem Sie das Produkt gekauft haben. Bitte beachten Sie, dass die Klarwassergarantie keinen Verlust der Wasserklarheit deckt, wenn die Ursache hierfür Fadenalgen (im Gegensatz zu Grünalgen) sind.

Jahre produktgarantie

Sollte dieses Produkt innerhalb von 2 Jahren ab Kaufdatum funktionsuntüchtig werden, wird es nach eigenem Ermessen des Händlers kostenlos repariert oder ersetzt, sofern es nach Ansicht des Händlers nicht beschädigt oder falsch verwendet wurde. Zum Einlösen der Garantie geben Sie bitte das Produkt zusammen mit dem Kaufbeleg direkt an die Kundendienstabteilung von Hozelock Cyprio zurück. Diese Garantie gilt nicht für Schaumstoffe und die UV-Lampe.

Kontakt/reservedeler

www.hozelock.com

Teknisk informasjon

Delenummer	1350	1351
Serie	Bioforce	
Volt (V)	230V 50Hz	
UVC-ström (W)	9	11
Maksimal damstørrelse med fisk	3000 l	4500 l
Maksimal damstørrelse uten fisk	6000 l	9000 l
Maksimal pumpestørrelse på Hozelock Cyprio Aquaforce (l/t)	2500	4000
IP-merking	IPX4	IPX4
Maks. vanntemperatur Tmaks., (°C)	35°C	35°C

* Målt i kontrollerte forhold



Ikke kast elektriske apparater som usortert restavfall. Bruk egne innsamlingsstasjoner. Kontakt kommunen for å få informasjon om tilgjengelige innsamlingsystemer. Hvis elektriske apparater kastes i depoter eller på tipper, kan farlige stoffer lekke ut i grunnvannet og komme inn i næringskjeden, og dermed skade helse og velvære. Når gamle apparater byttes med nye, er forhandlere i EU juridisk forpliktet til å ta det gamle apparatet tilbake for gratis avhending.

Tack för att du valt en Hozelock kvalitetsprodukt, du kan vara säker på tillförlitlig service från denna produkt.

Sicherheitshinweise

Säkerhetsinformation

Denna produkt är inte avsedd att användas av personer (inklusive barn) med nedsatt fysisk, sensorisk eller mental hälsa, eller brist på erfarenhet och kunskap såvida de inte övervakas eller får instruktion beträffande dammsugarens funktion av någon som ansvarar för deras säkerhet.

Se till att barn inte leker med dammsugaren.

VAR GOD LÄS IGENOM NOGRANT OCH BEHÅLL DESSA INSTRUKTIONER

Hozelock Cyprio Bioforce-filter är ett helt nytt begrepp för livsuppehållande system för fisk i trädgårdsdammar. De är:

- **SMÅ** men **EFFEKTIVA**
- **LÄTTA ATT DÖLJA**
- **KRÄNGELFRIA** att **UNDERHÅLLA**

Och de kan placeras nästan överallt (Se fig. 1).

Tillsammans med en lämplig damppump tar de bort oönskade partiklar från vattnet och omvandlar upplösta organiska och kemiska fiskavfallsprodukter till oskadliga sammansättningar. Därtill ger kombinationen filter/UV-enhet garanterat klarvatten om råden i tabellen för val av filterutrustning och i dessa instruktioner följs.

Säkerhet och elektriska anslutningar

⚠ VARNING – BRYT ALLTID STRÖMMEN TILL ALLA APPARATER I DAMMEN INNAN DU STICKER NED HÄNDERNA I VATTNET NÄR UTRUSTNINGEN INSTALLERAS, REPARERAS, UNDERHÅLLS ELLER ELJEST HANTERAS.

⚠ Denna produkt är **INTE VATTENTÄT** och bör placeras där den inte kan falla i vattnet eller bli vattendränkt. Konstruktionen är emellertid väderbeständig och Bioforce-filter kan med full säkerhet installeras utomhus.

⚠ Direkt exponering för ultraviolett ljus kan skada ögon och hud. Försök **INTE** se om lampan är tänd, annat än kortvarigt genom siktrutan.

⚠ Denna produkt kommer komplett med en 5 m 3-ledad elektrisk kabel. Kontakten som följer med enheten är inte vattentät.

⚠ Frilagda ledningar bör placeras förnuftigt och om nödvändigt skyddas av armerade rör, i synnerhet om de kan komma i kontakt med trädgårdsredskap som grepar och gräsklippare eller barn och husdjur.

⚠ En 10mA eller 30mA jordfelsbrytare (RCD) **MÅSTE** monteras på huvudströmkällan.

⚠ Kabeln kan inte bytas ut. Om den skadas måste produkten kasseras.

⚠ Installationen måste göras i enlighet med elmyndighetens krav vilket kan innebära att kabeln måste skyddas i ett plast- eller metallrör.

⚠ Rådfåga en yrkeselektriker eller ditt lokala elverk vid minsta tvekan angående installationer till huvudströmkällan.

⚠ Skydda mot frost om enheten inte körs året runt. I kallt vinterväder (när fiskarna inte är aktiva och algbildningen upphör) kan enheten slås av. Vattnet bör då tappas av enheten och den bör (om möjligt) tas bort från sin installering och förvaras torrt, skyddad mot frost.

Fastställande av utrustningens storlek

Tabellen för val av filterutrustning på nästa sida ger generella riktlinjer för specifikationerna för pump, filter och slangdiametrar för trädgårdsdammar upp till 9 000 liter. Men för bästa resultat måste även följande faktorer tas med i beräkningen.

Djup

Hozelock Cyprio rekommenderar ett minimum djup på 1.2m för Koi-dammar.

För en damm med ett genomsnittsdjup på mindre än 0.75m är tillståndsfaktorn +25%. (Grunda dammar är utsatta för full solstrålning och värms upp fort. Detta gynnar alg bildning).

Placering

Dammens position bestämmer hur mycket sol och skugga en damm får dagligen. Dammar som är utsatta för fullt solsken hela dagen har en tillståndsfaktor på 25%.

Klimat

Klimatet påverkar vattentemperaturen och fiskaktivitet/ behov av matning. Ju aktivare fiskarna är, desto större blir kraven på filteringsystemet.

I varma klimat (t ex Sydafrika) är tillståndsfaktorn +35%.

I tempererade klimat (t ex Sydeuropa), är tillståndsfaktorn +15%.

I ett nordeuropeiskt klimat (t ex i de flesta delar av Storbritannien), är tillståndsfaktorn +0%.

Exempel

Du har en 2500 liters guldfiskdamm, ca 60 cm djup (tillståndsfaktor +25%). Du bor i London, ett nordeuropeiskt klimat (tillståndsfaktor +0%). Dammen är utsatt för fullt solljus (25%). Den effektiva volymen i dammen ökas därför med 50% (25% + 25%) och du behöver räkna med en utrustning som om dammen höll 3750 liter.

Installation

- 1.1 Viktigt:** Pumpen som förser denna enhet får inte ha en maximum lyfthöjd på mer än 6 m (8.5 PSI, 0.6 Bar)
- 1.2** Bioforce är pumpmatade, tryckluftsfyllda utvändiga filter och UV-enheter, som passar idealiskt att installeras i marken näst intill dammen eller att döljas vid toppen av vattenfallet. De kan också placeras ovan jord. Om du väljer att delvis gräva ner ditt Bioforce-filter + UV, bör gropen fyllas igen ordentligt med tätt packad sand för att stötta enheten.
- 1.3** Bioforce-filtren inkorporerar slangändar för inlopp och utlopp som passar 20/25 mm Cypriflex-slangar (se tabellen för urval av utrustning på nästa sida). Pumpen och filterutloppsroret bör placeras så långt bort som möjligt från varandra för bästa möjliga vattengenomsyrning, så tänk på detta när du köper, mäter och skär till Cypriflex-slangen.
- 1.4** Skär till slangändarna på ditt Bioforce-filter så att de passar diametern på den slang som skall användas (Se fig. 2). Koppla sedan slangen från din pump till

slanggändan för inlopp och sätt fast med Hozelock Cyprio-slangklämmor, som kan fås separat. Dra ej åt för hårt.

Utloppslangen sätts fast på samma sätt. Undvik knutar och krökar och håll slangen så kort som möjligt för att reducera flödesrestriktioner till ett minimum.

Installation och byte av lampa

- 1.1 Öppna de sju låsclipsen och lyft försiktigt på locket (om det visar sig vara svårt, stick in ett mynt i spåret och vrid försiktigt).
- 1.2 Skruva ur den skruv som fäster det centrala röret vid locket och vrid röret motsols, dra sedan utåt för att frigöra det (se fig. 3).
- 1.3 Avlägsna röret av kvartsglas på ett liknande sätt (se fig. 4).
- 1.4 Lamphållaren blir nu åtkomlig, så tryck fast lampan på plats (se fig. 5).
- 1.5 Montera kvartsröret på plats, säkerställ att skruvklacken är uppriktad och skruven iskruvad. Montera röret med bajonettfatning på locket, vrid det på plats och skruva åt låsskruven.

Ledningsdragning

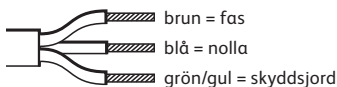
- 3.1 **VIKTIGT: Denna produkt skall anslutas till ett torrt vädersäkert el-uttag.**

Om sladden inte räcker till närmaste uttag för nästström måste en vattentät kontakt användas och skarvsladden måste vara isolerad med polykloroprenuggumi, ref: H05 RN-F 3 ledare 0,75mm²

- 3.2 **WARNING: Denna apparat MÅSTE vara jordad och det är nödvändigt att anslutningarna görs enligt följande:**
Den BRUNA ledaren måste anslutas till stiftet FAS, märkt 'L'.

Den BLÅA ledaren måste anslutas till stiftet NEUTRAL, märkt 'N'.

Den GRÖN/GULA ledaren måste anslutas till stiftet EARTH, märkt ' '.



Flödes hastighet

- 4.1 Vattenmängden i dammen bör passera genom Bioforce-filtret en gång varannan timme. Det snabbaste flödet rekommenderas för Koi-dammar. Överskrid ej maximum, som angivet i tabellen för urval av utrustning på nästa sida. Korrekt flödes hastighet är väsentlig för att få klart vatten. Om din anläggning lider av höga förluster (nämligen långa slangledningar) blir det kanske nödvändigt att justera flödet för att uppnå en cirkulationshastighet på 1 1/2 - 3 timmar med hjälp av en Hozelock Cyprio-slangkran för flödeskontroll.
- 4.2 En slang med liten diameter onödigt långa slangledningar och en hög lyfthöjd kan alltsammans avsevärt reducera pumpens effekt. Vi rekommenderar en pump som kan leverera det önskade flödet mot en helt lyfthöjd (= lodrätt avstånd mellan dammytan och filterinloppet), plus 0.6 m om man räknar med friktionsförluster i slangarna.

- 4.3 Syftet med filtrering är att förflytta avfallsmaterial från dammen in i filtret, så vilken som helst pump som används som del av uppsättningen borde kunna hantera fasta ämnen. Vi rekommenderar Hozelock Cyprio filterpumpen, som speciellt utarbetats för dammar av det storleksurval som Bioforce omfattar. Pumpen bör placeras på botten i den djupaste delen av dammen, eftersom det är här som fasta ämnen lagras.
- 4.4 Hur flödes hastighet kontrolleras: Ta en behållare med känt volym och se hur lång tid det tar att fylla (i sekunder). Dela sedan 3600 med det antal sekunder det tar att fylla behållaren, och multiplicera med behållarens volym i liter. Resultatet blir flödes hastigheten i liter per timme.

Driftsperioder

- 5.1 Håll i gång filtrering 24 timmar om dygnet under hela fiskmatningssäsongen (tills vattentemperaturen sjunker till under 10°C), men helst hela året runt. Under vintern vidmakthåller pump- och filterdriften en bakgrunds nivå av "nyttiga" bakterier i Bioforce och detta hjälper att förhindra nedsläpning av dammen utom under hårdaste väderleksförhållanden. Om pumpen slås av för vintern, måste filtermediet (skum och/eller plastbiomedia) tvättas noggrant. Till våren måste din Bioforce återmognas från början (se 'Mognande', 7.1). Mata aldrig fisken när filtret inte används.

Fiskinplantering och täthet

- 6.1 Under normala förhållanden och matningsordningar kan Bioforce-urvalet klara av upp till 50 cm per 1000 liter av dammens kapacitet. Introducera fisken långsamt under de första veckorna, upp till 20% av maximum rekommenderad nivå och höj detta till 50% efter sex månader, om så önskas. Resten tillåter tillväxt för fisken.

Mognande

- 7.1 Biologiskt mognande innebär att filtret byggt upp tillräckligt med "nyttiga" nedbrytningsbakterier för att bryta ner giftiga kväveföreningar (t ex ammonium, nitrit) till oskadligt nitrat. Processen tar vanligtvis 6-8 veckor men beror på många faktorer som vattentemperatur, matningstakt och inplanteringstäthet. Vi rekommenderar att du inte slår på din UV under denna period.
- 7.2 Hozelock Cyprio Filterstart är en levande kultur i vätskeform av organismer som hjälper att etablera ett moget filter och är till stor nytta under de första veckorna då du anlägger och inplanterar fisk i din damm. Filterstart kan också användas för att höja filterprestationen om våren, när antalet "nyttiga" bakterier är lågt. Denna produkt kan dock aldrig ersätta tålamod.

Rengöring av Bioforce

- 8.1 Bioforce filter ger maximala prestanda med ett minimum av underhåll. Om dammen är mycket smutsig kan filtret till en början behöva rengöring med några få dagars mellanrum, eftersom det mycket snabbt filterar bort avfall. När dammen väl är klarare finns det mindre avfall att ta bort, så filtret behöver inte rengöras lika ofta. Trycksatta filter är som mest effektiva när

skummet är delvis igensatt. Men när igensättningen ökar kan mindre vatten flyta genom och då krävs rengöring. Obs: Långvarig användning av filtret när det är "fullt" leder till problem vid rengöringen och kan reducera filterskivornas livslängd.

8.2 VIKTIGT: Risken för att smutsvatten sugts tillbaka genom filtret till dammen kan överkommas genom att lyfta det nedsänkta utloppsroret från vattnet och över filterlockets höjd innan pumpen stängs av. Detta bryter varje möjlig sugeffekt. Tillsammans med detta, innan något försök görs att öppna locket, ska sikt rutan lossas något för att häva eventuellt undertryck i systemet.

8.3 Grundlig rengöring

Öppna de sju clipsen och ta försiktigt av locket (vid problem, stick in ett mynt i spåret och vrid försiktigt). Lossa varsamt skumskivorna från filterkärlet och kläm ur smutsen. Använd vattnet i filtret och skölj ur skummen, klämmande ut smutsvatten utanför filterkärlet. Sätt tillbaka de rena skummen, säkerställande att de ligger platt. Det kan underlätta om en del vatten hålls ur kärlet.

Sätt tillbaka locket, säkerställande att tätningen är på plats och utan smuts eller skräp. Stryk vid behov ett tunt lager silikonfett på tätningen för att underlätta hopsättningen. Sätt tillbaka de sju clipsen och dra åt siktrutan.

8.4 Backspolning

Det går att öka intervallerna mellan grundliga rengöringar genom att backspola filtret Bioforce. Detta görs enklast genom att kasta om in- och utloppsroren eller genom att ansluta ett separat avfallsrör till inloppet på Bioforce och starta pumpen.

Obs: Säkerställ att returröret inte lämnas i dammen utan leder till ett avlopp. Kasta om rören igen när rent vatten rinner ur filtret (efter cirka 30 sekunder).

8.5 Normalt finns det inget behov av att ta ut skummens stödplatta. Men om du behöver åtkomst till biomedica avlägsnar du stödplattan genom att lyfta ut den ur kärlet (se fig. 6). Se till att sätta tillbaka stödplattan korrekt så att biomedica inte lossnar.

Skötsel av uv-kvartsroret

9.1 Speciellt i områden med hårt vatten kan UV-lampans kvartshylsa komma att täckas av kalkavlagringar. Enhetens effektivitet minskar om dessa avlagringar tillåts byggas upp. Rengör genom att stänga av pumpen och strömförsörjningen till UV-enheten, ta av locket och ta ut bajonetröret enligt beskrivning i 2.1 och torka rent kvartsroret med en mjuk trasa fuktad med ett mildt rengöringsmedel som vinäger (se fig. 7). Lampans maximala livslängd är 12 månaders kontinuerligt bruk. Byt lampan efter denna tid även om den fortfarande lyser.

Vinterförvaring

10.1 VIKTIGT: När enheten inte används ska den tas bort, tvättas noga, torkas och förvaras på en torr, frostfri plats. Förvara alltid enheten med avtagat lock för att säkerställa tillräcklig ventilation och torkning.

Klarvattengaranti

VI GARANTERAR DIG KLARVATTEN ELLER PENGARNA TILLBAKA. Denna garanti gäller i 12 månader från

inköpsdatum, under förutsättning att:

- du följt instruktionerna för installation och användning.
- du använder utrustning i korrekt storlek enligt dammstorlekstabellen nedan.
- produkten returnerats oskadad.

En återbetalning kan endast auktoriseras av Hozelock Cyprio och görs endast på inköpsstället.

Observera att klarvattengarantin inte täcker förlust av klart vatten beroende på andra alger än grönalger.

2-Årig produktgaranti

Om denna produkt upphör att fungera inom 2 år från inköpsdatum kommer den att repareras eller ersättas efter återförsäljarens val - utan kostnad. Detta såvida inte den enligt återförsäljarens åsikt har skadats eller missbrukats. För att kunna nyttja denna garanti ska produkten, tillsammans med bevis på inköp, skickas direkt till Hozelock Cyprios kundtjänst. Denna garanti exkluderar skum och UV-lampa.

Kontakt / reservdelar

www.hozelock.com

Technical Information

Part Number	1350	1351
Sortiment	Bioforce	
Volt (V)	230V 50Hz	
UVC effekt (W)	9	11
Max dammstorlek med fisk	3000 liter	4500 liter
Max dammstorlek utan fisk	6000 liter	9000 liter
Max Hozelock Cyprio Aquaforce pumpstorlek (lpt)	2500	4000
IP-klassning	IPX4	IPX4
Max vattentemperatur Tmax., (°C)	35°C	35°C

* Mätt under kontrollerade förhållanden



Kassera inte elektrisk utrustning som osorterat kommunalt avlopp, använd separata återvinningsstationer. Kontakta din kommun för information om återvinningsstationerna. Om elektriska hushållsapparater kasseras på soptippar eller dumpar, kan farliga ämnen läcka ut i grundvattnet och komma in i livsmedelskedjan samt skada din hälsa och ditt välbefinnande. I EU, vid byte av gamla maskiner mot nya, är återförsäljaren juridiskt skyldig att avgiftsfritt ta tillbaka din gamla apparat för omhändertagande.

F

Merci d'avoir choisi un produit de qualité Hozelock dont nous pouvons d'ores et déjà vous assurer la fiabilité du service.

Instructions de sécurité

L'usage de l'appareil n'est pas prévu par des personnes (enfants inclus) avec des possibilités physiques, sensorielles ou mentales réduites, ou avec un manque d'expérience et de connaissance, à moins d'être sous surveillance et de respecter les instructions d'utilisation de l'appareil sous le contrôle d'une personne chargée de leur sûreté.



LISEZ ATTENTIVEMENT CES INSTRUCTIONS ET CONSERVEZ-LES EN LIEU SUR

Les filtres Bioforce de Hozelock Cyprio représentent un concept tout à fait nouveau dans les systèmes de support de vie aquatique destinés aux bassins de jardin. Ils sont:

- **PETITS mais EFFICACES**
- **FACILES à DISSIMULER**
- **FACILES à ENTREtenir**

De plus, ils peuvent être placés presque n'importe où. (Voir Fig. 1)

Utilisés en combinaison avec la pompe appropriée, cela permet de retirer les débris de l'eau et de transformer les déchets organiques et chimiques des poissons, en composés inoffensifs. De plus, le filtre et l'UVC offrent ensemble la Garantie Eau Claire, à condition de respecter les conseils donnés dans le Tableau de Sélection des Equipements de Filtre et dans les instructions données ci-dessous.

La sécurité et les connexions électriques

ATTENTION - IL EST IMPÉRATIF DE DÉBRANCHER OU DÉCONNECTER DE LA SOURCE D'ÉLECTRICITÉ TOUS LES ÉQUIPEMENTS QUI SE TROUVENT DANS LE BASSIN AVANT DE METTRE VOS MAINS DANS L'EAU PENDANT QUE VOUS INSTALLEZ, RÉPAREZ, ENTRETENEZ OU MANIPULEZ CES ÉQUIPEMENTS.

⚠ Ce produit N'EST PAS SUBMERSIBLE, et doit être situé dans un lieu où il ne pourra pas tomber dans l'eau ou devenir saturé d'eau. Cependant, il a été conçu pour être protégé contre les intempéries, et les filtres Bioforce peuvent être installés à l'extérieur en toute sécurité.

⚠ L'exposition directe aux rayons ultra-violets peut abîmer les yeux et la peau. N'ESSAYEZ PAS de regarder la lampe lorsqu'elle est allumée, sauf brièvement à travers la lucarne de vérification opaque.

⚠ Ce produit est fourni avec un fil électrique 3 conducteurs d'une longueur de 5 mètres. La prise de l'unité n'est pas imperméable.

⚠ Les câbles exposés doivent être positionnés de manière à ne pas poser de problèmes, et protégés, si nécessaire, par un conduit blindé, surtout s'il risque d'entrer en contact avec des équipements de jardinage, tels que les fourches, les tondeuses, ou avec les enfants et les animaux domestiques.

⚠ Un disjoncteur de courant résiduel (RCD) de 10mA ou de 30mA DOIT IMPÉRATIVEMENT être installé sur le secteur.

⚠ Le câble d'alimentation électrique de cette pompe ne peut pas être remplacé. Si le câble est endommagé la pompe doit être jetée.

⚠ La mise en service de ce produit doit être en conformité avec la réglementation d'installation électrique nationale en vigueur. Cette réglementation peut imposer l'utilisation d'un manchon plastique ou métallique pour protéger l'alimentation électrique.

⚠ En cas de doute concernant le câblage au secteur, contactez un électricien professionnel ou votre compagnie d'électricité locale.

⚠ Protégez contre le gel si l'unité n'est pas utilisée toute l'année. Par temps froid en hiver (lorsque les poissons ne sont pas actifs et la croissance des algues cesse), l'unité peut être fermée. Elle doit être alors vidée de son eau, retirée (si possible) de son installation et mise dans un lieu sec protégé contre le gel.

Pour choisir la taille de l'équipement

Le Tableau de Sélection des Equipements de Filtre au verso donne des indications d'ordre général sur les spécifications des pompes, des filtres, des diamètres des tuyaux souples pour des bassins de jardin d'une capacité maximum de 9000 litres. Mais pour obtenir les résultats optimaux, les conditions suivantes doivent être prises en compte.

La profondeur

Hozelock Cyprio recommande une profondeur minimum de 1,2m. pour les bassins abritant des carpes koi.

Pour un bassin d'une profondeur moyenne inférieure à 0,75m le facteur de condition est +25%. (Les bassins peu profonds sont sujets à une pénétration complète de la lumière du soleil, et se réchauffent donc très vite. Cela encourage la croissance des algues.

L'emplacement

L'emplacement du bassin détermine la quantité de lumière solaire ou la quantité d'ombre que celui-ci reçoit. Les bassins exposés à la lumière directe du soleil toute la journée ont un facteur de condition de +25%.

Le climat

Le climat influence la température de l'eau, le taux d'activité des poissons, et leurs besoins alimentaires. Plus les poissons sont actifs, plus l'utilisation du système de filtrage sera importante. Dans les climats chauds (ex.: Afrique du sud) le facteur de condition est +35%.

Dans les climats tempérés (ex.: le sud de l'Europe) le facteur de condition est +15%.

Dans l'Europe septentrionale (e.g. la majeure partie de la Grande-Bretagne) le facteur de condition est 0%.

Exemple

Vous possédez un bassin pour poissons rouges de 2225 litres, d'une profondeur de 60 cm. (facteur de condition 25%). Vous habitez Londres (un climat d'Europe septentrionale) (facteur de condition 0%). Le bassin est exposé à la lumière directe du soleil (+25%). Le volume réel de votre bassin est, donc, augmenté de 50% (25% + 25%), et vous devrez donc choisir des équipements qui correspondent à un bassin contenant 3370 litres.

Installation

- 1.1 **Important:** la charge d'eau de la pompe qui alimente cette unité ne doit pas dépasser 6m. (0,6 bar)
- 1.2 Les filtres Bioforce sont des filtres externes pressurisés

alimentés par pompe, qui conviennent idéalement à l'installation dans le sol à côté de votre bassin ou caché en haut d'une cascade. Ils peuvent aussi être positionnés au-dessus du sol. Si vous décidez de partiellement enterrer votre filtre Bioforce, l'excavation doit être fermement remblayé avec du sable compacté pour soutenir l'unité.

- 1.3 Les filtres Bioforce incorporent des queues de tuyau d'entrée et de sortie pour permettre de les adapter sur le tuyau Cypriflex 20/25mm (voir le Tableau de Sélection d'Équipement à la page suivante). La pompe et le tuyau de sortie du filtre doivent être aussi éloignés l'un de l'autre que possible pour permettre une circulation optimale de l'eau, il convient donc de prendre cela en considération lors de l'achat, de la mesure, et de la coupe des tuyaux Cypriflex.
- 1.4 Coupez les queues de tuyau de votre filtre Bioforce aux dimensions qui conviennent au diamètre du tuyau utilisé (Voir Fig. 2). Ensuite connectez le tuyau de votre pompe à la queue de tuyau d'entrée et attachez-le avec les attaches Hozelock Cyprio, disponibles séparément. Ne serrez pas trop fort.

Le tuyau de sortie est attaché de la même manière. Évitez de créer des vrillages et des coudes, et veillez à ce que ce tuyau soit le plus court possible, ceci afin de réduire au minimum la restriction du débit.

Installation et remplacement de la lampe

- 2.1 Desserrez les sept attaches de fixation et retirez avec précaution le couvercle (en cas de difficulté introduisez une pièce dans la fente à cet effet et tournez lentement).
- 2.2 Retirez la vis qui maintient le tube central au couvercle et faites tourner le tube dans le sens anti-horaire puis tirez pour le dégager (voir Fig 3).
- 2.3 Retirez le tube quartz de la même manière (voir Fig 4)
- 2.4 Le support de la lampe étant maintenant accessible, poussez la lampe en position (voir Fig 5).
- 2.5 Réassemblez le tube quartz en position, en vous assurant que la bosse de la vis est réalignée et que la vis est remise. Réassemblez le tube à baïonnette au couvercle, tournez en position, et revissez la vis de fixation.

Le câblage

- 3.1 **IMPORTANT:** Ce produit doit être connecté à une prise électrique, dans un endroit sec et à l'abri des intempéries.
Si vous ne pouvez pas atteindre la prise de secteur sans rallonge, un connecteur imperméable doit être utilisé et la rallonge doit être en caoutchouc polychloroprène isolé réf: H05 RN-F 3 conducteurs 0,75mm2
- 3.2 **ATTENTION** – Cet appareil DOIT être branché à la terre, Il est indispensable que les branchements soient faits en utilisant les codes suivants:
Le Fil MARRON doit être relié à la borne SOUS TENSION indiquée par la lettre 'L'.
Le fil BLEU doit être relié à la borne NEUTRE indiquée par la lettre 'N'.

Le Fil VERT/JAUNE doit être relié à la borne TERRE indiquée par



Le débit

- 4.1 Toute l'eau du bassin doit passer à travers le filtre Bioforce toutes les 90 à 180 minutes, le débit le plus rapide étant recommandé pour les bassins abritant des carpes koi. Ne dépassez pas le maximum, comme cela est indiqué dans le Tableau de Sélection des Equipements ci-après. Un débit correct est essentiel pour obtenir de l'eau claire. Si votre installation n'a pas de pertes importantes (c'est-à-dire des tuyaux longs), il sera peut-être nécessaire de régler le débit pour réaliser le taux de renouvellement de l'eau en 90 à 180 minutes, ceci à l'aide d'un robinet de commande de débit Hozelock Cyprio.
- 4.2 Des tuyaux de petit diamètre, des tuyaux trop longs, ainsi qu'une charge d'eau élevée peuvent réduire considérablement le débit d'une pompe. Nous vous recommandons de choisir une pompe qui donnera le débit contre la force ascensionnelle statique (= la distance verticale entre la surface du bassin et l'entrée du filtre), plus 0,6 mm pour compenser les pertes dues à la friction dans les tuyaux.
- 4.3 Le but de la filtration est de transférer les déchets du bassin dans le filtre, ainsi toute pompe utilisée dans l'installation devra être capable de traiter les déchets solides. Nous recommandons l'utilisation de la pompe à filtre Hozelock Cyprio, qui a été spécifiquement conçue pour les bassins des dimensions couvertes par Bioforce. La pompe doit être positionnée au fond du bassin, à l'endroit le plus profond, car c'est là que s'accumulent les matières solides.
- 4.4 **Comment contrôler le débit:** prenez un récipient d'un volume connu et chronométrez combien de temps (en secondes) il faut pour qu'il se remplisse. Ensuite divisez 3600 par le nombre de secondes nécessaires pour remplir le récipient, et multipliez par le volume (litres) du récipient. Le résultat sera le débit en litres par heure.

Périodes de fonctionnement

- 5.1 Maintenez la filtration 24 heures sur 24 pendant la période où les poissons se nourrissent (ils arrêtent de se nourrir lorsque la température de l'eau descend en dessous de 10°C), cependant il est préférable de filtrer l'eau toute l'année. En hiver, l'utilisation de la pompe et du filtre permettra de maintenir un niveau résiduel de bactéries saines dans le Bioforce, et protégera le bassin du gel, sauf dans des conditions météorologiques extrêmes. Si la pompe est éteinte l'hiver, le média de filtration (biomédia en mousse et/ou en plastique) doit être complètement lavé.
Au printemps, votre Bioforce devra recréer une maturation nouvelle à partir de zéro (voir 'Maturation', 7.1). Ne nourrissez jamais vos poissons lorsque le filtre est hors service.

Taux de stockage en poissons

- 6.1 Dans des conditions et un régime alimentaire normaux, la gamme Bioforce supportera jusqu'à 50 cm par 1000 litres de capacité de bassin. Introduisez les poissons lentement au cours des premières semaines, jusqu'à 20% du niveau maximum recommandé. Vous pouvez augmenter ce niveau si vous le désirez jusqu'à 50% après six mois. La différence permettra aux poissons de grandir.

Maturation

- 7.1 La maturation biologique signifie que le filtre a permis l'accumulation suffisante de bactéries nitrifiantes pour transformer les déchets organiques des poissons et autres (ex.: ammoniacque, nitrite) en nitrates inoffensifs. Le processus prend normalement entre 6 et 8 semaines, mais dépend de nombreux facteurs tels que la température de l'eau, le taux d'alimentation et la densité du stockage. (Il est recommandé de ne pas mettre en marche l'unité UV pendant cette période).

Le nettoyage de votre Bioforce

- 8.1 Les filtres Bioforce offrent une performance optimale avec un minimum d'entretien.

Si le bassin est très sale, au départ, le filtre devra peut-être être nettoyé une fois tous les deux ou trois jours, car il amasse rapidement les déchets. Une fois que le bassin est devenu plus propre, il y aura moins de déchets à retirer et en conséquence il ne sera pas nécessaire de nettoyer le filtre, aussi souvent. Les filtres pressurisés sont les plus efficaces lorsque la mousse devient partiellement bouchée, cependant si le blocage continue, le débit de l'eau à travers la mousse ralentit, le nettoyage du filtre devient donc nécessaire. Note : l'utilisation prolongée du filtre dans des conditions de fonctionnement 'à plein', rendra difficile le nettoyage et peut réduire la vie utile des disques mousse.

- 8.2 **IMPORTANT:** La possibilité de l'eau sale retournant dans le bassin par le biais du filtre peut être évitée en soulevant de l'eau, le tuyau de sortie submergé, et en le plaçant au-dessus de la hauteur du couvercle du filtre avant de fermer la pompe. Cela empêchera tout effet de siphon. De plus, avant d'essayer de retirer le couvercle, la lucarne doit être légèrement dévissée afin d'éviter tout effet de blocage de siphon dans le système.

8.3 Le nettoyage complet

Défaites les sept colliers et retirez avec soin le couvercle (en cas de difficulté, introduisez une pièce de monnaie dans la fente et tournez doucement). Retirez avec soin les disques de mousses du récipient du filtre et pressez-les pour en retirer les déchets. En utilisant l'eau du filtre, rincez chaque mousse et pressez-les comme des éponges pour en faire sortir les déchets, hors du récipient du filtre. Remplacez la (les) mousse(s) propre(s) et vérifiez qu'elles sont bien à plat. Retirez de l'eau du récipient pour rendre l'opération plus facile.

Remettez le couvercle, en vous assurant que le joint est bien en place et sans déchets ou débris. Mettez une mince couche de graisse de silicone sur le joint, si nécessaire, pour en faciliter l'assemblage. Remettez les sept colliers, en vous assurant qu'ils sont tous solidement en place et resserrez la lucarne de vérification.

8.4 Le rétro-nettoyage

Il est possible d'espacer les entretiens complets en effectuant un rétro-nettoyage par une évacuation arrière du filtre Bioforce. Cette opération se fait en échangeant les tuyaux d'arrivée et les tuyaux de sortie ou en branchant un tuyau séparé d'évacuation à l'entrée du Bioforce et en remettant la pompe en marche. Note: Vérifiez que la canalisation de retour ne reste pas dans le bassin, elle doit être dirigée vers l'évacuation. Une fois que l'eau du filtre est claire (cela prend environ 30 secondes), ré-échangez les tuyaux pour les remettre à leur place d'origine.

- 8.5 Il n'est, normalement, pas nécessaire de retirer le plateau de support de mousse. Cependant, si vous devez accéder au biomédia, retirez le plateau de support et dégagez-le du récipient (voir fig. 6). Vérifiez que vous avez remonté correctement le plateau de support, ceci afin d'éviter toute fuite du biomédia.

L'entretien du tube uv a quartz

- 9.1 En particulier dans les régions à eau calcaire, le manchon à quartz de la lampe UV peut être recouvert de tartre. Si on le laisse s'accumuler il pourra nuire à l'efficacité de l'unité. Pour nettoyer, fermez la pompe et coupez le courant à l'UV, retirez le couvercle et le tube baïonnette de la manière décrite dans 2.1 ci-dessus, et essuyez le tube à quartz avec un chiffon doux humidifié avec un agent nettoyant doux (ex. le vinaigre – Voir fig. 7). La vie utile maximum d'une lampe UV est de 12 mois d'utilisation continue, au-delà de cette période la lampe doit être remplacée, même si elle continue de briller.

Le rangement l'hiver

- 10.1 Lorsqu'elle n'est pas utilisée l'unité doit être retirée, bien lavée et nettoyée, séchée et rangée dans un endroit sec protégé du gel. Il faut toujours ranger l'unité sans son couvercle, afin d'assurer une ventilation et un séchage adéquats.

GARANTIE EAU CLAIRE

NOUS VOUS GARANTISSONS UNE EAU CLAIRE OU LE REMBOURSEMENT DE VOTRE ACHAT. Cette garantie est valable 12 mois à compter de la date d'achat, sous réserve des conditions suivantes :

- Vous devrez avoir respecté le mode d'emploi concernant l'installation et le fonctionnement du produit
- Vous devrez avoir utilisé l'équipement de la taille qui convient, selon le tableau des tailles de bassins de jardin
- Le produit devra avoir été renvoyé en parfait état

Seule la société Hozelock Cyprio est habilitée à autoriser un remboursement, qui est fait à l'endroit de l'achat. Veuillez noter que la Garantie Eau Claire couvre la perte de clarté due aux algues causant l'eau verte, mais ne couvre pas la perte de clarté due aux algues filamenteuses.

La garantie de deux ans du produit

Si ce produit devient inutilisable dans les 2 ans à partir de la date d'achat, il sera soit réparé soit remplacé, selon la décision du concessionnaire, gratuitement, à moins que celui-ci juge que le produit a été endommagé ou que son utilisation a été incorrecte. Pour bénéficier de cette garantie renvoyez le produit avec la preuve de son achat directement au Service Client d'Hozelock Cyprio.

Les mousses et la lampe UV ne sont pas comprises dans cette garantie.

Contact / Pièces détachées

www.hozelock.com

Informations techniques

Numéro de pièce	1350	1351
Gamme	Bioforce	
Volts (V)	230V 50Hz	
Puissance UV-C (W)	9	11
Taille maximum du bassin avec poissons	3000 l	4500 l
Taille maximum du bassin sans poissons	6000	9000 l
Taille maximum de la pompe Hozelock Cyprio Aquaforce (l/h)	2500	4000
Classification IP	IPX4	IPX4
Temperature maximale de l'eau Tmax., (°C)	35°C	35°C
* Mesures obtenues dans des conditions spécifiques		

NL

Bedankt voor het kiezen van een Hozelock-kwaliteitsproduct, u kunt rekenen op een betrouwbare service voor dit product.

Veiligheidsinformatie

Het apparaat is niet bedoeld voor gebruik door kinderen en personen met verminderde fysieke, zintuiglijke of mentale capaciteiten of gebrek aan ervaring en kennis, tenzij men onder supervisie staat van een persoon die verantwoordelijk is voor hun veiligheid.

Kinderen moeten onder supervisie staan om er zeker van te zijn dat ze niet met het apparaat kunnen spelen.



LEES DEZE INSTRUCTIES ZORGVULDIG DOOR EN BEWAAR ZE

Hozelock Cyprio Bioforce filters zijn een compleet nieuw concept op de markt voor levensinstandhoudingssystemen voor vijvervissen. Ze zijn:

- **KLEIN** maar **EFFICIËNT**
- **GEMAKKELIJK** te **VERBERGEN**
- **MOEITELOOS** te **ONDERHOUDEN**

En ze kunnen bijna overal geplaatst worden (Zie fig. 1).

In combinatie met de juiste vijverpomp verwijdert het filter/UVC-systeem ongewenste vaste deeltjes uit het water en zet opgelost organisch en chemisch visafval om in onschadelijke verbindingen. Bij opvolging van het advies in de filterkeuzetabel en naleving van deze voorschriften garandeert het systeem bovendien helder water.

Veiligheid en elektrische aansluitingen

⚠ WAARSCHUWING: SCHAKEL ALTIJD ALLE APPARATUUR IN DE VIJVER UIT EN KOPPEL DEZE LOS VAN HET ELEKTRICITEITSNET VOORDAT U UW HANDEN IN HET WATER STEEKT BIJ HET INSTALLEREN VAN, REPAREREN VAN, ONDERHOUDEN VAN OF ANDERSZINS OMGAAN MET DE APPARATUUR.

⚠ Dit product kan NIET ONDERGEDOMPELD WORDEN en moet op een plaats worden gezet waar hij niet in het water kan vallen of vol kan lopen. Het is echter wel weerbestendig uitgevoerd dus Bioforce filters kunnen veilig buiten worden geplaatst.

⚠ Directe blootstelling aan ultraviolet licht is schadelijk voor ogen en huid. Kijk NOOIT rechtstreeks naar de lamp als deze brandt. Korte tijd door het donkere venster kijken is wel toegestaan.

⚠ Dit product wordt geleverd met een drie-aderige kabel van 5 meter lang. De stekker die hierbij wordt meegeleverd is niet waterbestendig.

⚠ Blootliggende kabels moeten met zorg worden gelegd en met een geïsoleerde leiding worden beschermd als de kans op contact met tuingereedschap zoals vorken en grasmaaiers, of met kinderen en huisdieren groot is.

⚠ Op de stroomvoeding MOET een 10mA of 30mA reststroomonderbreker (RCD) worden aangesloten.

⚠ Het netsnoer kan niet vervangen worden. Bij beschadiging dient de pomp weggegooid te worden.



Ne vous débarrassez pas des appareils électriques dans les ordures ménagères, veuillez utiliser des installations de collecte séparées. Veuillez contacter votre municipalité pour plus d'informations concernant les systèmes de collecte. Si les appareils électriques sont éliminés par enfouissement ou dans une décharge, les substances dangereuses peuvent s'infiltrer dans l'eau souterraine et se retrouver dans la chaîne alimentaire, nuisant à votre santé et votre bien-être. En Europe, lorsqu'on remplace de vieux appareils par des nouveaux, le détaillant est légalement tenu de reprendre votre ancien appareil pour s'en débarrasser gratuitement.

⚠ De installatie moet voldoen aan de nationale en Europese richtlijnen voor elektronische apparatuur. Onder deze richtlijnen valt de gegoten bekabeling en het gebruik van plastic of metaal in de bekabeling.

⚠ Als er enige twijfel bestaat over de bekabeling naar de stroomvoeding dient u direct contact op te nemen met een gekwalificeerde electriciën van de betreffende plaatselijke autoriteiten.

⚠ Als de inrichting niet het hele jaar door draait, moet u deze beschermen tegen bevriezing. In koud winterweer (als de vissen niet actief zijn en de groei van algen is gestopt) kan de eenheid worden uitgeschakeld. Deze moet dan worden leeggepompt en worden verwijderd en worden opgeslagen op een droge, vorstvrije plaats.

Het juiste systeem bepalen

In de filterkeuzetabel aan de ommezijde worden algemene richtlijnen gegeven voor het kiezen van de pomp, het filter en de slangdiameter voor tuinvijvers tot 9000 liter. Voor optimale resultaten moet echter ook rekening worden gehouden met de volgende conditiefactoren.

Diepte

Hozelock Cyprio raadt een minimale diepte van 1,2 meter aan voor koivijvers.

Voor een vijver met een gemiddelde diepte van minder dan 0,75m is de conditie +25%. (Ondiepe vijvers worden volledig verlicht door het zonlicht en worden daardoor snel warm. Hierdoor is er meer kans op algengroei.)

Plaats

De plaats waar een vijver ligt bepaalt de hoeveelheid zonlicht of schaduw die een vijver ontvangt. Vijvers die de hele dag in de volle zon liggen, hebben een conditie van +25%.

Klimaat

Het klimaat beïnvloed de watertemperatuur, de activiteitsgraad van de vissen en voedingsvereisten. Hoe actiever de vis is hoe meer er van het filter wordt gevraagd.

In hete klimaten (zoals Zuid-Afrika), is de conditie +35%.

In gematigde klimaten (zoals Zuid-Europa) is de conditie +15%.

In een Noord-Europees klimaat (d.w.z. het grootste deel van Groot-Brittannië) is de conditie +0%.

Voorbeeld

U heeft een goudvissenvijver van 2200 liter van 0,6 meter diep (omstandighedsfactor +25%). U woont in Londen - een Noord-Europees klimaat (omstandighedsfactor +0%). De vijver is volledig blootgesteld aan zonlicht (+25%). Het effectieve volume van uw vijver is daardoor toegenomen met 50% (25% + 25%), en u moet daarom uw uitrusting instellen op een vijver van 3500 liter.

Installatie

- 1.1 Belangrijk:** de opvoerhoogte van de pomp voor deze eenheid mag niet meer zijn dan 6m (8,5 PSI, 0,6 bar)
- 1.2** Bioforce filters zijn externe, door middel van een pomp gevoede drukfilters en UV-apparatuur die ideaal zijn om in te graven naast uw vijver of te verstoppen boven aan een waterval. Ze kunnen ook boven de grond worden geplaatst. Als u ervoor kiest om uw Bioforce filter + UV gedeeltelijk in te graven, moet de kuil goed worden

aangevuld zodat hij stevig vast komt te staan.

- 1.3** Bioforce filters hebben in- en uitlaataansluitingen om Cypriflex slangen van 20/25mm op aan te sluiten (zie het selectiediagram voor filteruitrusting op de volgende pagina). De uitlaatslang van de pomp en het filter moeten zo ver mogelijk van elkaar af liggen voor optimale watercirculatie dus houdt hier rekening mee als u Cypriflex slangen gaat kopen, afmeten en snijden.
- 1.4** Snijd de slanginlaten op de juiste maat voor de slang die u wilt gaan gebruiken (zie fig. 2). Sluit dan de slang van uw pomp aan op het inlaotpunt en bevestig deze met Hozelock Cyprio-slangklemmen die apart verkrijgbaar zijn. Niet te strak vastmaken.

De uitlaatslang wordt op dezelfde manier bevestigd. Vermijd knikken en bochten en houdt de slang zo kort mogelijk om blokkering van de stroming te minimaliseren.

Lampinstallatie en vervanging

- 2.1** Maak de zeven borgklemmetjes los en verwijder het deksel voorzichtig (Als het moeilijk gaat, steek dan een munt in de gleuf en draai deze voorzichtig rond).
- 2.2** Verwijder de schroef die de centrale bus verbindt met de deksel, draai de bus tegen de klok in en trek deze vervolgens los (zie fig. 3).
- 2.3** Verwijder de kwartsglasbuis op dezelfde manier (Zie fig. 4).
- 2.4** De lamphouder is nu bereikbaar. Druk de nieuwe lamp in de juiste positie (Zie fig. 5).
- 2.5** Breng de kwartsbuis op de juiste positie aan, lijn de schroefnok goed uit en draai de schroef weer vast. Plaats de bajonetbuis op de deksel, draai deze in de juiste positie en draai vervolgens de schroef vast.

BEDRADING

- 3.1 BELANGRIJK:** Dit product moet gekoppeld worden aan het lichtnet. De stekker aan dit product moet in een droge, weersbestendige behuizing geplaatst worden.

Als het punt van aansluiting op het lichtnet niet zonder verlengkabel kan worden bereikt, moet er een waterdichte connector worden gebruikt en moet het verlengsnoer geïsoleerd zijn met polychloropreenrubber, met referentie: HO5 RN-F, drie-aderig, 0,75mm².

- 3.2 WAARSCHUWING:** Dit apparaat MOET geaard zijn en het is van essentieel belang dat de aansluitingen met de volgende code zijn aangebracht:

De BRUINE draad moet worden aangesloten op FASE ('PH' of 'F').

De BLAUWE draad moet worden aangesloten op NUL ('N').

De GROEN-GELE draad moet worden aangesloten op AARDE ('').



Doorstromingshoeveelheid

- 4.1 De hele inhoud van de vijver moet ééns per 1,5 / 3 uur door het filter gaan. Voor koivijvers wordt de snelste doorstroming aangeraden. Ga niet over het maximum dat in het selectiediagram voor filteruitrusting op de volgende pagina staat beschreven. Als uw installatie geen grote verliezen heeft (bijv. door te lange slangen), dan kan het nodig zijn om de doorstroming aan te passen om de doorstroming in 1,5 / 3 uur te halen met een stroomregelkraan van Hozelock Cyprio in de slang.
- 4.2 Een slang met een kleine diameter, te lange slangen of een grote opstuwing van het water (= opvoerhoogte) kunnen het vermogen van de pomp negatief beïnvloeden. We raden u aan een pomp te kiezen die de gewenste doorstroming kan leveren bij een volledige statische opstuwing aankan (= verticale afstand tussen wateroppervlak en filterinlaat), plus 0,6 meter als compensatie voor wrijvingsverlies in slangen.
- 4.3 Het doel van filtratie is om afvalmateriaal uit de vijver in het filter te brengen, dus alle pompen die in combinatie met het filter worden gebruikt, moeten vaste deeltjes kunnen verwerken. We raden de Hozelock Cyprio filterpomp aan die speciaal is ontworpen voor vijvers van verschillende afmetingen waarvoor de Bioforce ook is ontworpen. De pomp moet op de bodem in het diepste deel van de vijver worden geplaatst omdat dit de plek is waar de vaste deeltjes ophopen.
- 4.4 Hoe u de doorstromingssnelheid kunt meten: neem een bak van een bekende inhoud en neem op hoelang het duurt voordat die bak is gevuld (in seconden). Hierna deelt u 3600 door het aantal seconden dat het duurde tot de bak vol was en vermenigvuldigt u dat met het volume (liters) van de bak. Het resultaat is de doorstromingssnelheid in liters per uur.

Werkingsperiodes

- 5.1 Houdt tijdens het voedingsseizoen het filter 24 uur per dag aan (tot de temperatuur tot onder 10°C daalt), maar het liefst het hele jaar door. Als u het filter en de pomp in de winter laat doorwerken, blijft er in het filter een gehalte aan 'vriendelijke' bacteriën achter die ervoor zorgt dat de vijver niet dichtvriest, behalve in hele strenge weersomstandigheden. Als de pomp in de winter wordt uitgezet, moet het filtermedium (schuim en/of plastic biomedial) grondig worden gewassen. In de lente moet uw Bioforce weer helemaal opnieuw rijpen (zie 'Rijping', 7.1). Voer uw vissen nooit als het filter niet in gebruik is.

Aantal vissen en uitzetsnelheid

- 6.1 Onder normale (voedings) omstandigheden kan de Bioforce een vijver aan met een capaciteit tot 50cm vis per 1000 liter. Zet in het begin weinig nieuwe vissen uit in de vijver, tot 20% van het maximale aangeraden niveau, en laat dit na de eerste 6 maanden eventueel toenemen tot 50%. De balans zal zorgen voor een groei van het aantal vissen.

Rijping

- 7.1 Biologische rijping betekent dat het filter genoeg nitrificatiebacteriën heeft opgebouwd om schadelijk vis- en ander organisch afval (bijv. ammonia en nitriet) om te zetten in onschadelijk nitraat. Het proces neemt normaal zo'n 6-8 weken in beslag maar wordt beïnvloed door vele factoren zoals watertemperatuur, de hoeveelheid voeding en de hoeveelheid vissen. (Wij raden u aan de UV tijdens deze periode uit te laten).

Reinigen van uw Bioforce

- 8.1 Bioforce filters leveren maximale prestaties bij minimaal onderhoud. Indien de vijver erg vuil is, moet het filter in eerste instantie wellicht om de paar dagen gereinigd worden omdat het de afvalstoffen erg snel opneemt. Zodra de vijver helderder wordt, neemt de hoeveelheid te verwijderen afval af, waardoor het filter minder vaak gereinigd hoeft te worden. Filters die onder druk staan werken het efficiëntst wanneer het schuim deels verstopt raakt. Maar naarmate de verstopping toeneemt kan er minder water door het schuim stromen waardoor reinigen noodzakelijk wordt. N.B. Langdurig gebruik van een 'vol' filter resulteert in problemen bij het reinigen en kan de levensduur van de schuimschijven verminderen.
- 8.2 **BELANGRIJK:** Om te voorkomen dat vuil water via het filter wordt teruggeheveld naar de vijver kunt u de ondergedompelde uitlaatleiding uit het water tillen tot boven het filterdeksel, waarna u de pomp uitschakelt. Hierdoor wordt een eventuele hevel verwijderd. Alvorens het deksel weg te nemen, moet bovendien het kijkvenster enigszins worden losgedraaid om te voorkomen dat het water in de leidingen wordt tegengehouden door een eventueel nog aanwezige hevel.
- 8.3 **Grote reinigingsbeurt**
Maak de zeven borgklemmen los en neem voorzichtig het deksel weg (als dit moeilijk gaat, kunt u een muntje in de gleuf steken en voorzichtig draaien). Verwijder voorzichtig de schuimstukken uit het filtervat en pers het vuil eruit. Spoel met een spons elk schuimstuk uit met het water in het filter en wring de spons uit buiten het filtervat. Plaats de schone schuimstukken terug en let erop dat ze platliggen. Wellicht moet u wat water uit het vat laten lopen.
Plaats het deksel terug en let erop dat de afdichting op zijn plaats zit en volledig schoon is. Doe zo nodig een laagje siliconenvet op de afdichting, zodat deze makkelijker kan worden aangebracht. Zet de zeven borgklemmen weer stevig vast en draai het kijkvenster aan.
- 8.4 **Reinigen met de backflush-functie**
U kunt de tijd tussen grote reinigingsbeurten verlengen door gebruik te maken van de backflush-functie van het Bioforce-filter. Daartoe legt u gewoon de inlaatleiding op de plaats van de uitlaatleiding en andersom, of sluit u een aparte afvoerleiding aan op de inlaat van de Bioforce, waarna u de pomp weer inschakelt.
NB: Let erop dat de retourleiding niet in de vijver blijft, maar naar een afvoer loopt. Leg de leidingen weer terug als het water vrij uit het filter stroomt (na circa 30 seconden).

- 8.5 Normaal gesproken hoeft u de schuimsteunplaat niet te verwijderen, behalve voor toegang tot het biomedium. U verwijdert de steunplaat door deze uit het vat te tillen (zie afb. 6). Let erop dat u de steunplaat goed teruglegt, zodat het biomedium niet kan vrijkomen.

Verzorging van de uv kwartsbuis

- 9.1 Vooral in gebieden met hard water kan de kwartsbuis waarin de UV-lamp in zit, bedekt raken met kalkaanslag. Naarmate de kalkaanslag toeneemt, vermindert de goede werking van de eenheid. Voor het schoonmaken moet u de pomp en de stroomtoevoer naar de UV-lamp uitschakelen, de deksel en de bajonetbuis verwijderen zoals beschreven in punt 2.1 en de kwartsbuis met een zachte doek, gedrenkt in een mild schoonmaakmiddel afvegen (Zie fig. 7). De maximum levensduur van de lamp is ongeveer 12 maanden bij continu gebruik. Vervang de lamp na deze 12 maanden, ook al brandt hij nog steeds.

Winteropslag

- 10.1 Wanneer uw Bioforce niet in gebruik is, moet u de pomp uit de vijver halen, grondig wassen, afdrogen en vervolgens opslaan in droge, vorstvrije plaats. Bewaar de pomp altijd met losgeschroefde deksel met het oog op voldoende ventilatie en droging.

Clearwater-garantie

WIJ GARANDEREN U HELDER WATER OF UW GELD TERUG. Deze garantie is 12 maanden na aankoop geldig, mits:

- u de installatie- en bedieningsinstructies hebt gevolgd;
- u apparatuur van het juiste formaat gebruikt, volgens de onderstaande tabel met vijverformaten.
- Het product moet onbeschadigd worden geretourneerd.

Een restitutie kan uitsluitend door Hozelock Cyprio worden geautoriseerd en is uitsluitend mogelijk op de plaats van aankoop.

NB: vertroebeling van het water als gevolg van draadalgenvalt niet onder de Clearwater-garantie, in tegenstelling tot vertroebeling van het water door groene algen.

2 Jaar garantie

Als dit product binnen 2 jaar na de aankoopdatum onbruikbaar wordt, wordt het ter keuze van de vertegenwoordiger kosteloos gerepareerd of vervangen, tenzij het product naar het oordeel van de vertegenwoordiger is beschadigd of verkeerd is gebruikt. Om gebruik te maken van deze garantie stuurt u het product en het aankoopbewijs rechtstreeks naar Hozelock Cyprio, Customer Services Department (afdeling klantenservice). Schuimstukken en UV-lampen vallen niet onder de garantie.

Contact / Onderdelen

www.hozelock.com

Technische informatie

Onderdeelnr.	1350	1351
Reeks	Bioforce	
Volts (V)	230V 50Hz	
UV-C-vermogen (W)	9	11
Maximum vijverformaat met vis	3000 liter	4500 liter
Maximum vijverformaat zonder vis	6000 liter	9000 liter
Maximale maat Hozelock Cyprio Aquaforce-pomp (l/u)	2500	4000
IP-rating	IPX4	IPX4
Maximale watertemperatuur, T _{max} , (°C)	35°C	35°C

* Gemeten onder gecontroleerde omstandigheden



Doe elektrische apparaten niet bij het huishoudelijk afval, maak gebruik van aparte inzamelingsfaciliteiten. Neem contact op met uw lokale autoriteiten voor informatie over de verschillende inzamelingsmogelijkheden. Als elektrische apparaten terecht komen op een vuilstortplaats, kunnen gevaarlijk stoffen in het grondwater lekken en in de voedselketen terecht komen, met alle daaraan verbonden gezondheidsgevolgen. Binnen de EU is de verkoper wettelijk verplicht uw oude apparaten terug te nemen als u een vervangend apparaat aanschaft. Aan deze dienst mogen geen kosten worden verbonden.

Desidero ringraziarla per aver acquistato un prodotto HozeLOCK, che le garantirà un funzionamento in tutta sicurezza.

Informazioni sulla sicurezza

L'apparecchio non deve essere utilizzato da persone (bambini inclusi) con disabilità fisiche, sensoriali o mentali, o prive dell'esperienza necessaria, tranne nel caso che tali persone siano sotto la supervisione o abbiano ricevuto le necessarie istruzioni da parte di una persona responsabile della loro sicurezza. I bambini vanno sempre supervisionati per assicurare che non giochino con l'apparecchio.



VOGLIATE LEGGERE ATTENTAMENTE E CONSERVARE QUESTE ISTRUZIONI

I filtri HozeLOCK Cyprio Bioforce rappresentano un concetto totalmente nuovo nei sistemi di sostenimento della fauna ittica dei laghetti dei giardini.

- **PICCOLI** ma **EFFICACI**
- **FACILI** da **NASCONDERE**
- **MANUTENZIONE SENZA PROBLEMI**

Ed è possibile ubicarli praticamente ovunque (Vedi Fig. 1).

Se accoppiati con una pompa per laghetto adeguata, sono in grado di rimuovere i residui solidi dall'acqua, convertendo gli escrementi organici e chimici dissolti dei pesci in sostanze innocue. Inoltre, se l'utente seguirà le istruzioni riportate nella tabella di selezione dei filtri, il filtro/UVC combinato sarà coperto dalla nostra Garanzia Clearwater.

Sicurezza e connessioni elettriche

ATTENZIONE: STACCARE SEMPRE LA SPINA O SCOLLEGARE DALL'ALIMENTAZIONE ELETTRICA TUTTI GLI APPARECCHI NEL LAGHETTO PRIMA DI IMMERGERE LE MANI NELL'ACQUA DURANTE L'INSTALLAZIONE, LA RIPARAZIONE, LA MANUTENZIONE O IL TRASPORTO DEGLI STESSI.

- ⚠ Questo prodotto non è atto ad essere sommerso e deve essere posizionato dove non può cadere nell'acqua o impregnarsi d'acqua. I filtri Bioforce sono però impermeabili e possono essere installati all'aperto.
- ⚠ L'esposizione diretta ai raggi ultravioletti può causare lesioni agli occhi e alla pelle. **NON** guardare la lampada quando questa è in funzione; utilizzare la lente opaca di controllo.
- ⚠ Questo prodotto viene fornito completo di cavo a tre conduttori lungo 5 metri. La spina fornita con questa unità non è di tipo impermeabile.
- ⚠ I tragitti dei cavi devono essere posizionati in modo attento e, se necessario, devono essere protetti da tubo corazzato, specialmente nei casi in cui esiste il pericolo di contatto da parte di attrezzi da giardinaggio tipo forche e tosaerba o bambini e animali domestici.
- ⚠ All'alimentazione di rete **DEVE** essere collegato un interruttore automatico della corrente residua da 10 mA o 30 mA.
- ⚠ Il cavo di alimentazione elettrico non può essere sostituito. In caso di danni al cavo, bisognerà sostituire l'intera unità.

⚠ Per l'installazione attenersi a quanto previsto dalle normative vigenti. Se necessario proteggere il cavo elettrico con canaline in materiale plastico o profili copricavo metallici.

⚠ In caso di dubbio sul collegamento all'alimentazione di rete, consultare un elettricista qualificato o l'ente per l'energia elettrica locale.

⚠ Proteggere dal gelo se l'unità non viene fatta funzionare tutto l'anno. In climi invernali freddi (quando i pesci non sono attivi e la crescita delle alghe cessa), è possibile spegnere l'unità, dopo di che può essere svuotata dall'acqua, smontata (se possibile) dal punto di installazione e conservata in un luogo asciutto e protetto dal gelo.

Dimensionatura delle apparecchiature

La tabella di selezione dei filtri riportata a tergo offre linee guida generali sulle specifiche tecniche di pompa, filtro, UV e diametro dei flessibili di gomma per laghetti fino a 9.000 litri di capacità. Per un funzionamento ottimale, è necessario rispettare gli indici di condizione.

Profondità

HozeLOCK Cyprio raccomanda una profondità minima di 1,2 metri per laghetti per carpe Koi.

Per laghetti con una profondità media inferiore a 0,75 metri il fattore condizionale è di + 25%. I laghetti poco profondi sono soggetti alla totale penetrazione della luce solare e si riscaldano rapidamente. Questo fatto incoraggia la crescita delle alghe.

Ubicazione

L'ubicazione determina la quantità di luce solare o di ombra che il laghetto riceve ogni giorno. I laghetti completamente esposti alla luce solare tutto il giorno hanno un fattore condizionale di +25%.

Clima

Il clima influisce sulla temperatura dell'acqua e sul tipo di attività dei pesci e di conseguenza sui requisiti di alimentazione. Quanto più attivi sono i pesci, tanto maggiore dovrà essere il rendimento del sistema di filtraggio.

In climi caldi (ad es. Africa del Sud) il fattore condizionale è di +35%.

In climi temperati (ad es. Europa meridionale), il fattore condizionale è di +15%.

Nei climi nordeuropei (e cioè nella maggioranza della Gran Bretagna) il fattore condizionale è pari a +0%.

Esempio

Possedete un laghetto per ciprini dorati da 2200 litri con una profondità di 0,65 m (fattore condizionale +25%). Vivete a Londra, clima nordeuropeo (fattore condizionale +0). Il laghetto è totalmente esposto alla luce solare (+25%). Il volume reale del vostro laghetto aumenta del 50% (25% + 25%) e dovrete quindi dimensionare l'equipaggiamento come se il laghetto avesse un volume di 3350 litri.

Installazione

- 1.1** **Importante:** La pompa che alimenta questa unità non deve avere una prevalenza massima superiore a 6 metri (8,5 PSI, 0,6 bar)
- 1.2** I filtri e le unità UV Bioforce sono di tipo esterno, pressurizzato, alimentato dalla pompa, idealmente da installare interrati a fianco del laghetto o nascosti in cima ad una cascata. Essi possono anche essere posizionati sopra il terreno.
Se scegliete di interrare parzialmente il filtro e l'unità UV Bioforce, la fossa deve essere foderata con sabbia ben compressa in modo che sorregga l'unità.
- 1.3** I filtri Bioforce incorporano dei raccordi di entrata e di uscita che si infilano sul flessibile Cypriflex da 20/25 mm (vedi Tabella di selezione dell'equipaggiamento alla pagina seguente). La pompa e il tubo di uscita del filtro devono essere il più possibile lontani l'uno dall'altro per permettere una circolazione ottimale dell'acqua, per cui è bene tenere presente questo fatto quando si acquista, misura e taglia il flessibile Cypriflex.
- 1.4** Tagliare i raccordi del filtro Bioforce in base alla dimensione richiesta rispetto al diametro del flessibile usato (Vedi Fig. 2). Collegare quindi il flessibile tra la pompa e i raccordi di entrata e fissare con gli stringitubo Hozelock Cyprio, reperibili a parte. Non serrare eccessivamente.
Il flessibile di uscita viene fissato in modo analogo. Evitare curve e gomiti stretti e mantenere il più corta possibile la lunghezza per minimizzare la restrizione del flusso.

Installazione e sostituzione della lampada

- 2.1** Aprire i sette fermi di fissaggio e rimuovere il coperchio, con delicatezza. (In caso di difficoltà, inserire una monetina nell'apposita fessura e ruotarla lentamente.)
- 2.2** Rimuovere la vite che fissa il tubo centrale al coperchio e ruotare il coperchio in senso antiorario. Tirare verso l'alto per estrarre il tubo (vedi Fig. 3).
- 2.3** Rimuovere il tubo di vetro al quarzo allo stesso modo (vedi Fig. 4).
- 2.4** Il portalampana è ora accessibile. Spingere la lampada in posizione (vedi Fig. 5).
- 2.5** Rimontare il tubo al quarzo. Assicurarsi che la borchia della vite sia riallineata e la vite nuovamente serrata. Rimontare il tubo a baionetta sul coperchio, ruotandolo in posizione. Rimontare la vite di fissaggio.

Conessione elettrica

- 3.1** **IMPORTANTE:** Il collegamento di questo prodotto alla rete di alimentazione elettrica deve essere posto in ambiente asciutto ed impermeabile.

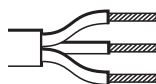
Se non si riesce a raggiungere il punto di collegamento all'alimentazione di rete senza estendere il cavo, si deve usare un connettore impermeabile e la prolunga deve essere isolata con gomma in policloroprene (rif. HO5 RN-F 3 conduttore 0,75mm2)

- 3.2** **AVVERTENZA:** questa apparecchiatura deve essere collegata a massa ed è essenziale che tutte le connessioni vengano eseguite osservando i seguenti codici:

Il cavo MARRONE deve essere collegato al terminale LIVE (fase) etichettato 'L'.

Il cavo BLU deve essere collegato al terminale NEUTRAL (neutro) etichettato 'N'.

Il cavo VERDE/GIALLO deve essere collegato al terminale EARTH (massa) etichettato ".



Marrone - Sotto Corrente

Blu - Neutro

Verde/Giallo - Terra

Portata

- 4.1** L'intero volume del laghetto dovrebbe passare attraverso il filtro Bioforce ogni 1,5-3,0 ore, la portata più elevata è quella consigliata per i laghetti con carpe Koi. Non superare la portata massima, come indicato nella Tabella di selezione dell'equipaggiamento a tergo. Una portata corretta è essenziale se si desidera ottenere un'acqua trasparente. Se l'installazione non è soggetta a perdite elevate (ad es. flessibili molto lunghi) può essere necessario regolare il flusso per ottenere il ricircolo richiesto di 1,5 - 3,0 ore usando un rubinetto per flessibile di controllo della portata Hozelock Cyprio.
- 4.2** Un flessibile di piccolo diametro o inutilmente lungo e un'elevata altezza di pompaggio (prevalenza) possono tutti ridurre in modo notevole l'erogazione della pompa. Raccomandiamo di scegliere una pompa in grado di erogare la portata richiesta con un'alzata statica totale (= distanza verticale tra la superficie del laghetto e l'aspirazione del filtro), più 0,6 metri per tenere conto delle perdite per attrito nei flessibili.
- 4.3** L'obiettivo del filtraggio è quello di trasferire i rifiuti dal laghetto nel filtro e per questo motivo, qualsiasi pompa usata in questo impianto, deve essere in grado di far fronte alle sostanze solide. Raccomandiamo a questo proposito la pompa con filtro Hozelock Cyprio, progettata in modo specifico per laghetti nella gamma di misure trattate dalla Bioforce. La pompa deve essere posizionata nel punto più profondo del laghetto, dato che è qui che le sostanze solide si accumulano.
- 4.4** Controllo della portata: Prendere un contenitore di cui si conosca il volume e controllare quanto tempo ci impiega a riempirsi (in secondi). Quindi dividere 3600 per il numero di secondi necessari a riempire il contenitore e moltiplicare il risultato per il volume (litri o galloni) del contenitore. Il risultato corrisponde alla portata in galloni o litri/ora.

Periodi di funzionamento

- 5.1** Mantenere un filtraggio di 24 ore al giorno durante tutta la stagione di alimentazione del pesce (fino a quando la temperatura dell'acqua scende al di sotto dei 10°C), ma preferibilmente tutto l'anno. In inverno, se si fanno funzionare la pompa e il filtro, sarà non solo possibile mantenere nel Bioforce un buon livello di base di batteri benefici, ma si eviterà che il laghetto si ghiacci, a meno che il clima non diventi estremamente freddo. Se la pompa viene spenta per l'inverno, la sostanza filtrante (espanso e/o materia plastica biologica) deve essere lavata a fondo. In primavera,

il Bioforce deve essere ricondizionato daccapo (vedi "Ricondizionamento", 7.1). Non dar mai da mangiare ai pesci quando il filtro non è operante.

Ritmo di stoccaggio del pesce e densità

- 6.1** In condizioni normali e seguendo un regime alimentare regolare, la gamma Bioforce può sostenere fino a 50 cm di pesci per 1.000 litri di capacità del laghetto. Introdurre il pesce lentamente nel corso delle prime settimane, fino al 20% del livello massimo raccomandato, aumentandolo, se lo desiderate, fino al 50% dopo sei mesi. Lo spazio libero rimanente permetterà al pesce di crescere.

Condizionamento

- 7.1** Per condizionamento biologico s'intende che il filtro ha accumulato abbastanza batteri nitrificanti da trasformare i rifiuti ittici e organici nocivi (ad es. ammoniaci, nitrato) in innocui nitrati. Il processo richiede di solito 6-8 settimane, e dipende da molti fattori, tipo la temperatura dell'acqua, il ritmo di alimentazione e la densità di stoccaggio. (Si raccomanda di non accendere l'unità UV in questo periodo).

Pulizia di Bioforce

- 8.1** I filtri Bioforce offrono le massime prestazioni con una manutenzione minima. Se il laghetto è molto sporco, il filtro inizialmente dovrà essere pulito ogni due o tre giorni, in quanto assorbe le sostanze di rifiuto molto velocemente. Una volta che il laghetto è diventato un po' più limpido, i materiali di scarto saranno presenti in quantità ridotte e il filtro dovrà essere pulito meno frequentemente. I filtri pressurizzati funzionano al meglio quando il materiale spugna è parzialmente ostruito. Tuttavia, se l'ostruzione diventa eccessiva, il flusso d'acqua sarà insufficiente e il filtro dovrà essere pulito. Nota: l'uso prolungato del filtro quando l'indicatore è completamente visibile renderà la sua pulizia più difficoltosa e potrebbe abbreviare la durata in servizio dei dischi di spugna.
- 8.2** **IMPORTANTE:** per minimizzare il rischio che acqua sporca possa essere riaspirata nel filtro e quindi nel laghetto, sollevare il tubo di uscita sommerso sopra al coperchio del filtro prima di disattivare la pompa. Con questa operazione si eviteranno eventuali fenomeni di sifonaggio. Inoltre, prima di rimuovere il coperchio del filtro, la lente di controllo deve essere leggermente svitata per evitare potenziali azioni residue di sifonaggio.
- 8.3** **Pulizia**
Svitare le sette clip e rimuovere con cautela il coperchio. In caso di difficoltà, inserire una moneta nell'apposita fessura e girare. Rimuovere i dischi di spugna dall'alloggiamento del filtro e strizzarli per eliminare lo sporco. Utilizzando l'acqua nel filtro, sciacquare ciascun disco con un movimento "a spugna" e strizzare l'acqua sporca fuori dall'alloggiamento del filtro. Riposizionare le spugne pulite, assicurandosi che siano orizzontali. Eliminare un po' d'acqua dall'alloggiamento, se necessario.

Refit the lid, making sure the seal is in position and free of dirt and debris. Add a light coating of silicone grease to the seal if required to aid assembly. Rimontare

il coperchio, assicurandosi che la guarnizione sia in posizione e priva di sporco o detriti. Se necessario, applicare un leggero strato di grasso al silicone per facilitare il montaggio. Riapplicare le sette clip, controllando che siano ben salde in posizione, e riavvitare la lente di controllo.

- 8.4** **Pulizia 'inversa' del filtro**
È possibile incrementare l'intervallo di pulizia sottoponendo il filtro Bioforce a un'operazione di pulizia inversa. Basta cambiare di posizione i tubi di ingresso e di uscita o collegare un tubo di spurgo separato all'ingresso del Bioforce e accendere la pompa. Nota: assicurarsi che il tubo di ritorno non sia nel laghetto. Cambiare nuovamente di posizione i tubi quando l'acqua proveniente dal filtro è pulita (circa 30 secondi).
- 8.5** Normally, there is no need to remove the foam support plate. However, if you need to access the biomed, remove the support plate by lifting it clear of the vessel (See Fig.6). Make sure you refit the support plate correctly, so that the biomed is not released.

Manutenzione del tubo al quarzo dell'unità UV

- 9.1** Soprattutto in zone con acqua molto dura, il manicotto al quarzo della lampada UVC può incrostarsi di calcare riducendo l'efficienza dell'unità se i depositi non vengono eliminati. Per eseguire la pulizia, spegnere la pompa e l'alimentazione elettrica dell'unità UV, togliere il coperchio e il tubo a baionetta, come descritto nella nota 2.1, e pulire il tubo al quarzo con un panno soffice e una sostanza detergente delicata, come l'aceto (vedi Fig. 7). La durata massima in servizio della lampada è 12 mesi d'uso continuato, dopo di che la lampada va sostituita, anche se si illumina ancora.

Magazzinaggio invernale

- 10.1** Quando non viene utilizzata, l'unità va rimossa, lavata, pulita, asciugata e riposta in un luogo asciutto e non soggetto al gelo. Conservare l'unità senza coperchio per consentire un'adeguata ventilazione e in modo che si asciughi completamente.

Garanzia clearwater

GARANTIAMO ACQUA LIMPIDA O UN RIMBORSO IMMEDIATO. Questa garanzia è valida per 12 mesi dopo la data di acquisto a condizione che:

- siano state osservate le istruzioni di installazione e funzionamento;
 - siano state usate apparecchiature di dimensioni corrette, conformemente alla tabella riportata di seguito.
 - il prodotto sia stato restituito senza che abbia subito danni.
- L'eventuale rimborso può essere autorizzato solo da Hozelock Cyprio e deve essere ottenuto esclusivamente dal luogo originale di acquisto.

La Garanzia Clearwater non è applicabile se la perdita di limpidezza è causata da un tappeto d'alghie invece che da normali alghie verdi.

Garanzia di 2 anni

Se questo prodotto cessa di funzionare entro 2 anni dal suo acquisto, sarà riparato o sostituito gratuitamente a discrezione del rivenditore, sempre che il prodotto non sia stato danneggiato o usato impropriamente. Per beneficiare della garanzia, spedire il prodotto con la prova di acquisto direttamente ad Hozelock Cyprio, Customer Services Department. La garanzia non comprende le spugne e la lampada UV.

Contatti / Parti di ricambio

www.hozelock.com

Dati tecnici

Codice	1350	1351
Gamma	Bioforce	
Volt (V)	230V 50Hz	
Alimentazione UVC (W)	9	11
Dimensione massima del laghetto con pesci	3.000 l	4.400 l
Dimensione massima del laghetto senza pesci	6.000 l	9.000 l
Dimensione massima della pompa Aquaforce Hozelock Cyprio (lph)	2500	4000
Valutazione IP	IPX4	IPX4
Temperatura massima dell'acqua T _{max.} , (°C)	35°C	35°C
* Misurata in condizioni controllate		



Non smaltire le apparecchiature elettriche come rifiuti urbani non differenziati, ma smaltirli presso strutture preposte separate. Contattare l'ente locale per richiedere informazioni sul sistema di raccolta disponibili. Smaltendo le apparecchiature elettriche presso le discariche, potrebbe verificarsi un versamento di sostanze pericolose nelle falde acquifere, quindi nella catena alimentare, con conseguenti danni alla salute e al benessere. Nell'UE, qualora si sostituiscono apparecchiature usate con apparecchiature nuove, il rivenditore è legalmente obbligato a ritirare la vecchia apparecchiatura e smaltirla gratuitamente.

E

Gracias por elegir un producto Hozelock de calidad. Este producto dispone de una garantía de servicio de la máxima confianza.

Seguridad

Seguridad

Este aparato no fue diseñado para ser usado por menores, ni por personas con poca capacidad física, con dificultades sensoriales o mentales, o con falta de experiencia o de conocimientos, a menos que cuenten con supervisión o capacitación sobre el uso de aparato, por una persona responsable de su seguridad. Es importante vigilar a los niños para que no jueguen con el producto.



POR FAVOR LEER BIEN Y GUARDAR ESTAS INSTRUCCIONES

Los filtros Hozelock Cyprio Bioforce son un concepto totalmente nuevo para los estanques de jardines. Estos son:

- **PEQUEÑOS pero EFICIENTES**
- **FÁCILES de OCULTAR**
- **DE MANTENIMIENTO SENCILLO**

Y se pueden poner casi en cualquier parte (Ver figura 1).

Cuando se usa con una bomba apropiada para el estanque, este producto elimina los desechos sólidos del agua, y transforma en compuestos inofensivos los desperdicios orgánicos y químicos de los peces. Además, la combinación de filtro y aclarador ultravioleta permitirá contar con una Garantía de Agua Clara si se cumplen las recomendaciones que vienen en la Tabla de selección de equipos de filtración y si se siguen estas instrucciones.

Seguridad y conexiones electricas

⚠ ADVERTENCIA: AL INSTALAR, REPARAR, MANTENER O MANIPULAR EL EQUIPO, SIEMPRE DESENCHUFE O DESCONECTE DE LA ALIMENTACIÓN ELÉCTRICA TODOS LOS APARATOS DEL ESTANQUE ANTES DE METER LAS MANOS EN EL AGUA.

⚠ Este producto **NO ES SUMERGIBLE**, y se debe colocarlo donde no pueda caer al agua o quedar mojado. Sin embargo, el diseño es impermeable, y los filtros Bioforce se pueden instalar a la intemperie con seguridad.

⚠ La exposición directa a la luz ultravioleta puede producir lesiones en los ojos y en la piel. **NO SE DEBE, POR NINGÚN MOTIVO**, tratar de mirar la bombilla cuando está encendida, a menos que sea en forma muy rápida, a través del lente opaco de la ventanilla.

⚠ Este producto se provee completo con 5 m de cable eléctrico de 3 almas. El enchufe que viene con esta unidad no es impermeable.

⚠ El largo de cable expuesto debe quedar colocado razonablemente, y protegido si es necesario con tubos de blindaje, en especial si es probable el uso de equipos de jardinería tales como horquilla y cortadoras de pastos, o haya niños o animales domésticos.

⚠ **SE DEBE** montar un Disyuntor de Corriente Residual (RCD) de 10mA ó 30mA al suministro eléctrico.

⚠ No se puede cambiar el cable de suministro eléctrico. Si este cable se dañara, se debe desechar la unidad.

- ⚠ Para instalar este producto se debe cumplir con las normas nacionales y locales para el alambrado eléctrico, lo cual podría incluir el uso de un conducto de plástico o metal para proteger el cable.
- ⚠ En caso de dudas sobre el cableado al suministro eléctrico, consultar a un electricista calificado.
- ⚠ Proteger contra las heladas si la unidad no va a correr todo el año. En tiempo helado de invierno (cuando los peces no están activos y el crecimiento de las algas cesa), se puede desconectar la unidad. Se debe entonces drenar el agua, sacarla (si es posible) de su instalación y guardar en lugar seco y protegido de las heladas.

Tamaño del equipo

La Tabla de selección de equipos de filtración que figura al dorso ofrece directrices generales sobre las especificaciones de bombas, filtros, y diámetro de mangueras para estanque de hasta 9.000 litros. Sin embargo, para óptimos resultados, hay que tomar en cuenta también los siguientes factores relacionados con las condiciones climáticas.

Profundidad

Hozelock Cyprío recomienda una profundidad mínima de 1,2m para estanques de Koi.

Para un estanque con una profundidad media de menos de 0,75m el Factor de Condición es de + 25%. (Estanques bajos sufren la penetración solar total y se calientan rápidamente. Esto favorece el desarrollo de las algas.

Posición

La posición del estanque determina la cantidad de luz solar diaria que recibe. Los estanques expuestos a plena luz solar durante el día tienen un Factor de Condición de + 25%

Clima

El clima afecta la temperatura del agua y la tasa de actividad de los peces y requisitos alimenticios. Mientras mayor la actividad de los peces, mayor es la demanda sobre el sistema de filtración.

En climas calurosos (por ej. África del Sur), el Factor de Condición es de + 35%

En climas templados (por ej. Sur de Europa), el Factor de Condición es de + 15%

En el clima del Norte de Europa (por ej. la mayoría de Gran Bretaña), el Factor de Condición es de + 0%.

Ejemplo

Usted tiene un estanque de 500 galones para peces dorados con 2' de profundidad (Factor de Condición + 25%). Usted vive en Londres - un clima Norte Europeo (Factor de Condición + 0%). El estanque está expuesto a plena luz solar (+ 25%). El volumen efectivo de su estanque por lo tanto aumenta en un 50% (25% + 25%), y necesita ajustar el tamaño de su equipo como si el estanque ocupara 750 galones.

Instalación

- 1.1 **Importante:** La bomba que alimenta a esta unidad no debe tener una caída máxima en exceso de 6m (8,5 PSI, 0,6 Bar)
- 1.2 Los Bioforce son filtros externos a presión y unidades UV alimentados por una bomba, idóneos para instalaciones en el suelo adyacentes a su estanque o escondidos por encima de una catarata de agua. También se les

puede colocar sobre el suelo. Si usted elige enterrar parcialmente su filtro Bioforce + UV, hay que rellenar la excavación en parte con arena para apoyar la unidad.

- 1.3 Los filtros Bioforce incorporan colas de tubo para la entrada y salida para mangueras Cypriflex de 20/25 mm (3/4" - 1") (referirse a la Carta de Selección de Equipo a vuelta de página). La bomba y el tubo de salida del filtro deben estar lo más lejos posible entre sí para una circulación óptima, por lo cual se debe tener en cuenta el largo de manguera necesaria al medir y comprar y cortar la manguera Cypriflex.
- 1.4 Cortar las colas de su Bioforce al tamaño apropiado al tamaño de la manguera que se use (Ver figura 2). Luego conectar la manguera desde la bomba a la cola del tubo de entrada y asegurar con un clip Hozelock Cyprío de manguera, disponibles por separado. No apretar demasiado.

La manguera de salida se asegura de la misma manera. Evitar dobleces y curvas, y mantener el recorrido de la manguera corto a fin de disminuir la restricción del flujo.

Instalación y cambio de la bombilla

- 2.1 Abra los siete clips de seguridad y retire cuidadosamente la tapa (si hubiera alguna dificultad, ponga una moneda en la ranura provista y gire lentamente).
- 2.2 Saque el tornillo que sujeta el tubo central sobre la tapa, haga girar el tubo hacia la izquierda y luego tire del mismo para aflojarlo (Véase la fig. 3).
- 2.3 Saque el tubo de cuarzo de la misma manera (Véase la fig. 4)
- 2.4 Ahora que tiene acceso al portabombillas, presione la bombilla para que quede en su posición (Véase la fig. 5).
- 2.5 Vuelva a instalar el tubo de cuarzo, cuidando de alinear nuevamente la protuberancia del tornillo, y de que se vuelva a instalar el tornillo. Vuelva a montar el tubo de bayoneta sobre la tapa, haciéndolo girar hasta que quede en su sitio, e instale nuevamente el tornillo de sujeción.

Alambrado

- 3.1 **IMPORTANTE: ESTE PRODUCTO ESTÁ DISEÑADO PARA SER ENCHUFADO EN UN ZONA SECA PROTEGIDA DEL AGUA.**

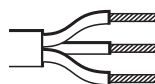
Si usted no puede alcanzar al punto de suministro eléctrico sin usar una alargadera, se debe usar un conector impermeable, y una alargadera aislada con goma policloropreno ref: H05 RN-F de 3 almas 0,75 mm2.⚡

- 3.2 **ATENCIÓN:** Este aparato debe, SIN FALTA, estar conectado a tierra, y es esencial que las conexiones se hagan de la siguiente manera:

El cable MARRÓN se debe conectar al terminal de TENSIÓN marcado con una "L".

El cable AZUL se conecta al terminal NEUTRO marcado con una "N".

El cable VERDE/AMARILLO se conecta al terminal a TIERRA marcado ""



Marrón - Con Corriente

Azul - Neutro

Verde/Amarillo - Tierra

Velocidad de Flujo

- 4.1 El volumen del estanque debe pasar por el Bioforce cada 1 1/2 a 3 horas, la tasa más alta se recomienda para estanques con Koi. No exceder el máximo, como se estipula en la Carta de Selección de Equipo a vuelta de página. La tasa correcta de flujo es esencial para obtener claridad en el agua. Si su instalación no sufre pérdidas grandes (por ej., un recorrido largo de manguera) suele resultar necesario ajustar el flujo para lograr un flujo de cambio completo cada 1 1/2 a 3 horas por el uso de la Llave de Control de Flujo de Manguera Hozelock Cyprio.
- 4.2 Un diámetro demasiado reducido de manguera, un largo innecesario y una elevación de bombeo demasiado alta pueden reducir considerablemente la producción de la bomba. Recomendamos elegir una bomba que entregue el flujo requerido contra la elevación estática total (= distancia vertical entre la superficie del estanque y la entrada al filtro), más 0,6m (2 pies) para dar una tolerancia a las pérdidas por fricción en la manguera.
- 4.3 El objetivo de la filtración es transferir el material de desperdicio del estanque al filtro, y por lo tanto cualquier bomba que se utilice como parte del paquete debe ser capaz de manejar sólidos. Recomendamos la bomba de filtración Hozelock Cyprio, diseñada específicamente para estanques en la gama de tamaños cubiertos por Bioforce. La bomba debe quedar puesta en la parte más profunda del fondo del estanque, que es donde se acumulan los desperdicios.
- 4.4 Como revisar la tasa de flujo: Tomar un recipiente de volumen conocido y medir el tiempo que toma llenarlo (en segundos). Luego dividir 3600 por el número de segundos que tomó llenar el recipiente, y multiplicarlo por el volumen (litros o galones) del recipiente. El resultado será la tasa de flujo en galones o litros por hora.

Periodos de Operación

- 5.1 Mantener la filtración por 24 horas al día durante la temporada de alimenticia de los peces (hasta que la temperatura del agua baje a menos de 10°C), pero preferentemente durante todo el año. En invierno, la operación de la bomba y el filtro mantiene un nivel de fondo de bacterias benéficas en el Bioforce, y ayuda a prevenir la formación de hielo en la superficie del estanque excepto en las condiciones más severas del tiempo. Si se desconecta la bomba durante el invierno, hay que lavar bien el medio del filtro (medio de espuma y/o plástico). En la primavera, su Bioforce necesitará una maduración nueva desde el inicio (ver 'Maduración', 7.1). Nunca alimentar los peces cuando el filtro no está en uso.

Densidad y Proporción de Introducción de Peces

- 6.1 En condiciones y bajo un régimen alimenticio normales, la gama Bioforce tolera hasta 50 cm por 1000 litros) (10" de peces por 100 galones) de la capacidad del estanque. Introducir los peces lentamente por las primeras semanas, hasta el 20% del nivel máximo recomendado, aumentando esto si se desea hasta un 50% después de seis meses. El resto permite el

crecimiento de los peces.

Maduración

- 7.1 La maduración biológica significa que el filtro ha cultivado suficientes bacterias nitrificantes para convertir los desperdicios dañinos de la piscicultura y otros desperdicios orgánicos (por ej., amonio, nitritos) a nitratos inofensivos. El proceso generalmente toma de 6 a 8 semanas, pero depende de varios factores tales como la temperatura del agua, frecuencia de alimentación y densidad del stock. (Se recomienda que no encienda su lámpara UV durante este período).

Limpieza de su bioforce

- 8.1 Los filtros Bioforce ofrecen óptimo rendimiento con un mínimo de mantenimiento. Si el estanque estuviera muy sucio, es posible que, al principio, necesite hacer una limpieza del filtro cada pocos días, porque éste recoge el material de desecho muy rápidamente. Una vez que se aclare el estanque, habrán menos desechos para eliminar, de tal manera que no se necesitará limpiar el filtro con tanta frecuencia. Los filtros a presión funcionan con óptima eficiencia cuando la espuma está parcialmente bloqueada. Sin embargo, a medida que aumenta el bloqueo, menos agua puede pasar por la espuma, y se hace necesario una limpieza. Nota: Si se usara el filtro persistentemente cuando está completamente bloqueado, se dificultará la limpieza y puede reducirse la vida útil de los discos de espuma.
- 8.2 **IMPORTANTE:** Para eliminar la posibilidad de que se aspire agua sucia por el filtro, de vuelta al estanque, saque del agua el tubo de salida sumergido, y, antes de apagar la bomba, levántelo más arriba de la altura de la tapa del filtro. De esta manera, se elimina cualquier potencial sifón. Conjuntamente con esto, antes de intentar sacar la tapa, hay que destornillar un poco el lente de la ventanilla para aliviar cualquier otro potencial sifón en el sistema.
- 8.3 **Limpieza de fondo**
Undo the seven securing clips and gently remove the lid (If there is any difficulty, insert a coin into the slot provided and turn gently). Gently remove the foam discs from the filter vessel and squeeze out the dirt. Using the water in the filter, rinse out each foam in turn using a sponge action and squeeze the dirty water outside the filter vessel. Reposition the clean foam(s) - ensuring they lie flat. It may help to remove some of the water from the vessel.
Vuelva a instalar la tapa, procurando que el sello esté en la posición correcta y sin suciedad ni desechos. En caso necesario, para facilitar el montaje, ponga en el sello una capa de grasa de silicona. Vuelva a enganchar los siete sujetadores, procurando que todos estén firmemente en su lugar, y vuelva a ajustar el lente de la ventanilla de observación.

- 8.4 **Limpieza por retrolavado**
Para prolongar el período que se puede dejar cada vez antes de limpiar a fondo el sistema, se puede retrolavar el filtro Bioforce. Esto se hace simplemente intercambiando los tubos de entrada y de salida, o conectando con la entrada del Bioforce un tubo aparte para el agua de desecho, y volviendo a activar la bomba.

Nota: Procurar que el tubo de devolución del agua no

quede dentro del estanque, sino que vaya al desagüe. Vuelva a cambiar los tubos una vez que vuelva a estar clara el agua que sale del filtro (aproximadamente 30 segundos).

- 8.5 Normalmente, no es necesario sacar la bandeja de apoyo de los filtros de espuma. Sin embargo, si se necesitara acceder a los medios de filtración biológica, saque la bandeja de apoyo, dejándola aparte (Ver la fig. 6). Procure volver a instalar correctamente la bandeja de apoyo después, de tal manera que no se salgan los medios de filtración biológica.

Cuidado del tubo de cuarzo del uvc

- 9.1 En especial en áreas de agua dura, la camisa de cuarzo de la lámpara UV puede quedar cubierta con depósitos de sarro. Esto reduce la eficacia de la unidad si se permite que siga acumulándose. Para limpiar, desconecte la bomba y el suministro eléctrico en el UV, saque la tapa y el tubo de bayoneta, tal como se indica en la nota 2.1, y limpie la camisa de cuarzo con un trapo suave humedecido con un producto de limpieza que no sea fuerte, como el vinagre (véase la fig.7). La vida de una bombilla es de 12 meses de uso continuo, después de lo cual hay que cambiar la bombilla, aunque todavía encienda.

Almacenamiento durante el invierno

- 10.1 **IMPORTANTE:** Cuando la unidad no está en uso, se debe retirar, lavar bien, secar y guardar en un sitio seco protegido contra las heladas. Al guardar la unidad, siempre quite la tapa para asegurar que se mantenga seca y haya suficiente ventilación.

Garantía de agua clara

LE GARANTIZAMOS AGUA CLARA O LA DEVOLUCIÓN DE SU DINERO. Esta garantía se extiende por 12 meses a partir de la fecha de compra, con tal que:

- Usted haya seguido las instrucciones de instalación y de operación;
- Utilice equipos del tamaño apropiado, de acuerdo a la tabla para dimensionar el estanque que se encuentra a continuación.
- El producto sea devuelto sin dañarse.

El reembolso sólo puede ser autorizado por Hozelock Cyprío, y se hace únicamente en el punto de venta.

Nota: La Garantía de Agua Clara no cubre la pérdida de claridad del agua cuando la turbidez es causada por algas filamentosas, y no algas de agua verde.

Garantía del producto por 2 años

Si este producto dejara de funcionar correctamente dentro de 2 años de la fecha de compra, será reparado o reemplazado a discreción del concesionario, sin coste alguno, a menos que, a juicio del concesionario, ha sido dañado o se ha usado inapropiadamente. Para acoger los beneficios que ofrece esta garantía, se debe enviar el producto, junto con el comprobante de compra, directamente a Hozelock Cyprío, Customer Services Department. Esta garantía no cubre los filtros de espuma ni la bombilla ultravioleta.

Contacto / Piezas de repuesto

www.hozelock.com

Información técnica

Número de pieza	1350	1351
Gama	Bioforce	
Voltios (V)	230V 50Hz	
Potencia UVC (W)	9	11
Tamaño máximo del estanque con peces	3000 litros	4500 litros
Tamaño máximo del estanque sin peces	6000 litros	9000 litros
Caudal máximo de la bomba Aquaforce de Hozelock Cyprío (lph)	2500	4000
Grado IP	IPX4	IPX4
Temperatura máxima del agua Tmax., (°C)	35°C	35°C

* Medido en condiciones controladas



Los dispositivos eléctricos no deben mezclarse con los residuos domésticos generales y están sujetos al principio de recogida selectiva. Para obtener más información sobre cómo deshacerse de sus aparatos eléctricos viejos, póngase en contacto con su ayuntamiento. Si se desechan productos eléctricos en vertederos o basureros, se corre el peligro de que las sustancias peligrosas puedan filtrarse al agua subterránea e introducirse en la cadena alimenticia, perjudicando su salud y bienestar. En la UE, al cambiar aparatos usados por equipos nuevos, el vendedor tiene la obligación legal de recibir su equipo antiguo, de forma gratuita, para que sea eliminado.

Takk for at du har valgt dette kvalitetsproduktet fra Hozelock. Det vil gi deg pålitelig drift.

Sikkerhets informasjon

Damsugeren er laget for kun å benyttes til rengjøring av hagedammer. Ved å bruke produktet til andre oppgaver enn den er laget for, kan resultere i personskade eller at produktet blir ødelagt. Produktet er ikke designet slik at personer (og barn) med redusert fysisk bevegelighet, psykiske problemer, mangel på erfaring og kunnskap, skal kunne bruke produktet, med mindre det er under tilstrekkelig oppsyn eller veiledning av en person som har ansvar for deres sikkerhet. Barn må opplyses om at de ikke kan leke med dette produktet.



LES INSTRUKSENE NØYE OG TA VARE PÅ DEM

Hozelock Cyprio Bioforce-filtre er et helt nytt konsept innen systemer for å opprettholde fiskebestander i hagedammer. Filtrene er:

- **SMÅ, men EFFEKTIVE**
- **ENKLE å SKJULE**
- **ENKLE å VEDLIKEHOLDE**

og kan plasseres nær sagt overalt (Se figur 1).

Brukt i kombinasjon med egnet dampumpe fjerner filtrene uønskede partikler fra vannet og omdanner kjemisk fiskeavfall til uskadelige forbindelser. Kombinert filter/UVC gir dessuten garantert klart vann (Garanteed Clear Water) hvis man følger rådene i tabellen for valg av filterutstyr og i disse instruksjonene.

Sikkerhet og elektriske koblinger

⚠ ADVARSEL: TREKK ALLTID UT STØPSELET ELLER KOPLER ALLE APPARATER I DAMMEN FRA STRØMFORSYNINGEN FØR DU STIKKER HENDENE I VANNET MENS UTSTYRET INSTALLERES, REPARERES, VEDLIKEHOLDLES ELLER HÅNTERES.

⚠ Dette produktet MÅ IKKE SENKES I VANN og bør plasseres slik at det ikke kan falle i vannet eller fylles med vann. Produktet er imidlertid værbestandig, og Bioforce-filtre kan trygt installeres utendørs.

⚠ Direkte eksponering overfor ultrafiolett lys kan skade øyne og hud. IKKE prøv å se på lampen mens den er tent, bortsett fra et kort øyeblikk gjennom den ugjennomskinnelige linsen.

⚠ Produktet leveres komplett med 5 m jordingskabel. Støpselet som følger med, er ikke vanntett.

⚠ Utsatte kabler bør plasseres med forsiktighet, og om nødvendig beskyttes med armert kabelrør, særlig hvis det er fare for kontakt med hageredskaper som greip og gressklippere, eller barn og husdyr.

⚠ En 10mA eller 30mA jordfeilbryter MÅ monteres på strømtilførselen.

⚠ Tilførselskabelen kan ikke skiftes ut. Hvis kabelen er skadd, må enheten kasseres.

⚠ For permanente installasjoner til hovedstrømforsyningen, må man forholde seg til de lover og regler som gjelder for ditt lokale elektrisitetsselskap som inkluderer bruken av ledningsrør i plast eller metall.

⚠ Hvis det er tvil om tilkobling til hovednettet, må en kvalifisert elektriker eller vedkommende myndighet kontaktes.

⚠ Enheten må beskyttes mot frost hvis den ikke skal stå på hele året. I kaldt vær (når fisken ikke er aktiv og algeveksten opphører), kan enheten slås av. Den bør da tømmes for vann, fjernes fra installasjonen (om mulig) og oppbevares på et tørt og frostfritt sted.

Velge utstyr av korrekt størrelse

Tabellen for valg av filterutstyr på neste side inneholder generelle retningslinjer for spesifikasjoner for pumpe, filter og diameter på fleksibel slange for hagedammer på opptil 9 000 liter. For best mulig resultat, må følgende faktorer også tas i betraktning.

Dybde

Hozelock Cyprio anbefaler en dybde på minst 1,2 m (4') for Koi-dammer.

For dammer med gjennomsnittlig dybde under 0,75 m (2' 6") er forholds faktoren + 25%.

(I grunne dammer trenger sollyset helt gjennom, og dammen varmes raskt opp. Dette fremmer algeveksten).

Plassering

Dammens plassering avgjør hvor mye sollys eller skygge dammen får per dag. Dammer som er utsatt for fullt sollys hele dagen, har en forholds faktor på + 25 %.

Klima

Klimaet påvirker vanntemperaturen og graden av fiskeaktivitet/føringsbehovet. Jo mer aktive fiskene er, desto større er kravene til filtreringssystemet.

I et varmt klima (f.eks. Sør-Afrika) er forholds faktoren + 35 %.

I et temperert klima (f.eks. Sør-Europa) er forholds faktoren + 15 %.

I et nordeuropeisk klima (f.eks. storparten av Storbritannia) er forholds faktoren + 0 %.

Eksempel

Du har en gullfiskdam på 2200 l (500 gallon) som er 0,6 m (2') dyp (forholds faktor + 25%). Du bor i London - i et nordeuropeisk klima (forholds faktor + 0%). Dammen er utsatt for fullt sollys (+ 25%). Det effektive volumet til dammen økes dermed med 50 % (25 % + 25 %) og du må velge en størrelse på utstyret som om dammen tok 3375 l (750 gallon).

Installasjon

- 1.1 Viktig:** Pumpen som følger med denne enheten, må ha en løfte høyde som ikke overskrider 6 m (8,5 psi, 0,6 bar)
- 1.2** Bioforce er eksterne trykkfilter + UV-enheter som drives av en pumpe. Enheten er perfekt for installasjon i bakken nær dammer eller skjult på toppen av vannfall. Den kan også plasseres over bakkenivået. Hvis Bioforce-filter + UV skal graves delvis ned, bør man pakke godt rundt med kompakt sand for å støtte opp enheten.
- 1.3** Bioforce-filtre leveres med endestykke for inntaks- og utløpsslangen som passer til Cypriflex-slang på 20/25 mm (3/4" - 1") (se tabellen over filterutstyr på neste side). Pumpen og filterets utløpsslange bør stå så langt fra hverandre som mulig for optimal vannsirkulasjon. Husk på dette når du kjøper, måler og kutter opp Cypriflex-slangen.

- 1.4 Kutt slangeendestykkene på Bioforce til passende størrelse i forhold til diameteren på slangen som brukes (Se figur 2). Deretter kobles slangen fra pumpen til endestykket for innløpsslangen og festes med Hozelock Cyprio slangeklemme, som kan fås separat. Unngå å stramme for mye til.

Utløpsslangen festes på samme måte. Pass på så det ikke blir buket og bretter på slangen. La den være så kort som mulig for å få minst mulig strømningsrestriksjon.

Installasjon og utskifting av lampe

- 2.1 Løsne de sju festeklemmene og ta lokket varsomt av (Hvis det er vanskelig, kan du sette en mynt i spalten og vri forsiktig).
- 2.2 Fjern skruen som holder røret i midten festet til lokket og drei røret mot uret og trekk for å få det ut. (Se fig. 3).
- 2.3 Fjern kvartsrøret på samme måte (Se fig. 4)
- 2.4 Lampeholderen er nå tilgjengelig, og lampen kan skyves på plass (Se fig. 5).
- 2.5 Kvartsrøret settes på plass igjen, sørg for at skruen er rettet inn og skruen satt inn igjen. Bajonettøret monteres på lokket igjen ved å drie det på plass, og sett festeskruen inn igjen.

Kobling

- 3.1 **VIKTIG: Dette produktet er designet for å være tilkoblet strømnett som er plassert tørt og værsikkert.**

Hvis du ikke kan nå kontakten til nettforsyningen uten å skjøte, må det brukes en vannrett kontakt, og skjøteledningen bør være en treleders 0.75 mm² polykloropren gummiisoleret kabel, ref: HOS RN-F.

- 3.2 **ADVARSEL:** Dette apparatet MÅ jordes, og det er viktig at forbindelsene gjøres ved bruk av følgende kode:

Den BRUNE ledningen skal koples til den STRØMFØRENDE klemmen merket 'L'.

Den BLÅ ledningen skal koples til den NØYTRALE (dvs. NULL) klemmen merket 'N'.

Den GRØNNE/GULE ledningen skal koples til JORD klemmen merket " .



Strømningshastighet

- 4.1 Volumet i dammen bør passere gjennom Bioforce hver 1 1/2 - 3 time, den raskeste strømningshastigheten som anbefales for Koi-dammer. Maksimumsverdiene som angis i tabellen over filterutstyr på neste side, bør ikke overskrides. Riktig strømningshastighet er viktig for å få klart vann. Hvis installasjonen ikke har store tap (f.eks. lange slangestrekninger), kan det være nødvendig å justere strømmen for å få en omløpshastighet på 1 1/5 - 3 time ved hjelp av Hozelock Cyprio slangetapp for strømningskontroll.
- 4.2 Slange med liten diameter, unødvendig lange slangestrekninger og stor løftehøyde (= «vantrykk») kan føre til at pumpen fungerer dårlig. Vi anbefaler å bruke en pumpe som gir nødvendig gjennomstrømning

for full statisk heving (= vertikal distanse mellom damoverflate og filterinntak) pluss 0,6 m (2") for å gi rom for friksjonstap i slangene.

- 4.3 Formålet med filtrering er å fjerne avfallsmateriale fra dammen og inn i filtret. Derfor bør pumpen som brukes i anlegget, kunne håndtere faste stoffer. Vi anbefaler filterpumpen Hozelock Cyprio, som er spesielt beregnet for dammer av størrelsene som dekkes av Bioforce. Pumpen bør plasseres på bunnen i den dypeste delen av dammen, siden faste stoffer samler seg der.
- 4.4 Slik kontrollerer du strømningshastigheten: Ta en beholder med kjent volum og finn ut hvor lang tid det tar å fylle den (i sekunder). Deretter deler du 3600 på antall sekunder det tar å fylle beholderen og ganger det med volumet (liter eller gallon) for beholderen. Resultatet er strømningshastigheten i gallon eller liter per time.

Driftsperiode

- 5.1 La filterenheten stå på 24 timer i døgnet i fôringsperioden for fisken (til vanntemperaturen faller under 10°C), men helst året rundt. Om vinteren vil driften av pumpen og filtret opprettholde et bakgrunnsnivå av ufarlige bakterier i Bioforce og dessuten bidra til at ikke dammen fryser, bortsett fra under de strengeste kuldeperiodene. Hvis pumpen slås av om vinteren, må filtermediet (biomedium av skum og/eller plast) rengjøres grundig. Om våren må Bioforce modnes på nytt fra bunnen av (se «Modning», 7.1). Fisken må aldri føres når filtret ikke er i bruk.

Fiskebestand og tetthet

- 6.1 Under normale forhold og fôringsopplegg vil Bioforce-serien kunne håndtere opptil 50 cm per 1000 liter) (10" fisk per 100 gallon) av dammens kapasitet. Tilfôr fisk langsomt i de første fem ukene, opptil 20 % av maks anbefalt nivå og øk dette hvis ønskelig - 50 % etter seks måneder. Balansen tillater vekst i fiskebestanden.

Modning

- 7.1 Biologisk modning betyr at filtret har bygd opp nok nitrifiserende bakterier for å omdanne skadelig fiskeavfall og andre organiske avfallstoffer (f.eks. ammoniakk, nitrit) til ufarlig nitrat. Prosessen tar vanligvis 6-8 uker, men er avhengig av mange faktorer, for eksempel vanntemperatur, fôringsgrad og fisketetthet. Det anbefales å ikke slå på UV-en i denne perioden.

Rengjøring av Bioforce

- 8.1 Bioforce filtre gir maksimal ytelse med minimalt vedlikehold. Hvis dammen er veldig skitten, kan det bli påkrevet med rengjøring av filtret med noen få dagers mellomrom til å begynne med, fordi det samler opp avfallstoffer meget hurtig. Når dammen begynner å klare, blir det mindre avfall å fjerne, derfor trenger ikke filtret å rengjøres så ofte. Trykkfiltre er mest effektive når skummet er delvis blokkert. Men etter hvert som det blir mer blokkert, vil mindre vann kunne strømme gjennom skummet, og da er det på tide med rengjøring. Hvis filtret fortsatt brukes etter at det er fullt, kan det bli vanskelig å få det rent og skumskivene kan få kortere brukstid.
- 8.2 **VIKTIG:** Muligheten for at skittent vann kan bli sugd tilbake gjennom filteret og inn i dammen, kan forhindres

ved løfte det nedsenkede utløpsrøret fra dammen og over høyden på filterlokket før du slår av pumpen. Dette vil motvirke eventuell hevertvirkning. I forbindelse med dette, må man før man prøver å fjerne lokket løse linsen litt for å slippe ut eventuell annen væske som har blitt sugd tilbake og sitter i systemet.

8.3 Grundig rensing

Løse de sju festeklipsene og fjern lokket forsiktig (hvis det oppstår problemer, før inn en mynt i sporet og dreier forsiktig rundt). Fjern varsomt skumskivene fra filterbeholderen og klem ut smussen. Bruk vannet i filteret til å skylle hver skuminnstans ved å suge opp vannet som med en svamp og klemme ut det skitne vannet utenfor filterbeholderen. Sett de(n) rene skuminnstans(e) på plass igjen, og pass på at de(n) ligger flatt. Det kan hjelpe å fjerne noe av vannet i beholderen.

Sett på lokket igjen, pass på at tetningen er i korrekt stilling og er fri for smuss og partikler. Innsett tetningen med et lett lag silikonsmørefett om nødvendig. Fest de sju festeklemmene igjen og pass på at de sitter godt fast. Stram til linsen.

8.4 Spyling

Det er mulig å øke intervallet mellom hver grundige rensing ved å spyle Bioforce-filteret. Dette gjøres ved å bytte om inntaks- og utløpsrørene eller koble et separat avløpsrør til Bioforce-inntaket og slå på pumpen igjen. Merk: Pass på at returledningen ikke blir liggende i dammen, men går til avløpet. Bytt rørene tilbake når vannet som kommer fra filteret er klart (ca. 30 sekunder).

8.5 Vanligvis er det ikke nødvendig å fjerne bæreplaten til skuminnstansene. Hvis du imidlertid trenger tilgang til biomedie, fjern bæreplaten ved å løfte den ut av beholderen (se fig. 6). Pass på at du setter bæreplaten korrekt tilbake på plass, slik at biomedie ikke slippes ut.

Vedlikehold av uv-kvartsrør

9.1 Kvartsrør på UV-lampen kan få kalkbelegg, spesielt på steder der vannet er hardt. Hvis det blir for mye belegg, vil enheten bli mindre effektiv. Når du skal rengjøre enheten, skal du først slå av pumpen og strømtilførselen til UV-enheten, ta av lokket og bajonettørret som forklart i 2.1, og tørke over kvartsrøret med en myk klut fuktet med mildt rengjøringsmiddel, f.eks. eddik (Se fig. 7). Lampen vil ha en maksimal levetid på 12 måneder ved kontinuerlig bruk. Deretter bør lampen skiftes ut, selv om den fremdeles lyser.

Vinterlagring

10.1 **VIKTIG:** Når enheten ikke er i bruk skal den tas ut, vaskes grundig og tørkes og oppbevares på et tørt og frostfritt sted. Enheten skal lagres med lokket av for å sikre tilstrekkelig ventilasjon og tørking.

Garanti for klart vann

VI GARANTERER KLART VANN ELLER PENGENE TILBAKE. Denne garantien er gyldig i 12 måneder etter kjøp, under forutsetning av at:

- du har fulgt installasjons- og driftsinstruksene;
- utstyret du bruker har korrekt størrelse ifølge tabellen nedenfor.
- Varen er returnert i uskadd stand.

En refundering kan bare autoriseres av Hozelock Cyprio og kan bare finne sted på innkjøpsstedet.

Vær oppmerksom på at Clearwater Guarantee ikke dekker mangel på klart vann når dette skyldes teppealger, i motsetning til grønnvannsalger.

To års produktgaranti

Hvis dette produktet blir uanvendelig innen to år fra kjøpsdato, vil det bli reparert eller erstattet etter agentens skjønn – uten ekstrakostnad – med mindre det etter agentens mening har blitt skadet eller misbrukt. For å benytte denne garantien, send produktet sammen med kjøpsbevis direkte til Hozelock Cyprios kundeserviceavdeling. Denne garantien gjelder ikke for skuminnstanser og UB-lampe.

Kontakt/reservedeler

www.hozelock.com

Teknisk informasjon

Delenummer	1351	1351
Serie	Bioforce	
Volt (V)	230V 50Hz	
UVC-strøm (W)	9	11
Maksimal damstørrelse med fisk	3000 l	4500 l
Maksimal damstørrelse uten fisk	6 000 l	9 000 l
Maksimal pumpestørrelse på Hozelock Cyprio Aquaforce (l/t)	2500	4000
IP-merking	IPX4	IPX4
Maks. vanntemperatur Tmaks., (°C)	35°C	35°C

* Målt i kontrollerte forhold



Ikke kast elektriske apparater som usortert restavfall. Bruk egne innsamlingsstasjoner. Kontakt kommunen for å få informasjon om tilgjengelige innsamlingssystemer. Hvis elektriske apparater kastes i depoter eller på tipper, kan farlige stoffer lekke ut i grunnvannet og komme inn i næringskjeden, og dermed skade helse og velvære. Når gamle apparater byttes med nye, er forhandlere i EU juridisk forpliktet til å ta det gamle apparatet tilbake for gratis avhending.

Kiitos kun valitsit Hozelock-laaturuotteen. Voit olla varma, että tämä tuote toimii luotettavasti.

Turvaohje

Laite ei ole tarkoitettu käyttäjille (mukaan lukien lapset), joiden aistit ovat heikentyneet tai joilla on heikentynyt fyysinen tai psyykinen kunto. Ennen laitteen käyttöä tulee käyttäjän perehtyä käyttöohjeisiin huolellisesti. Lasten ei tule antaa leikkiä laitteella.



LUE OHJEET HUOLELLA JA PIDÄ NÄMÄ OHJEET TALLELLE

Hozelock Cyprio Bioforce -suodattimet ovat täysin uusi käsitetalojen elinjärjestelmän tukemiseksi puutarhalammikoissa. Ne ovat:

- **PIENIÄ, mutta silti TEHOKKAITA**
- **HELPOSTI PEITETTÄVISSÄ NÄKYVISTÄ**
- **HELPPOHUOLTOISIA**

Kaiken lisäksi ne voidaan asentaa melkein mihin tahansa (Katso kuvaa 1).

Yhdessä sopivan lampipumpun kanssa ne poistavat haitalliset kiintojätteet vedestä ja muuttavat liuenneet orgaaniset ja kemialliset kalajätteet vaarattomiksi yhdisteiksi. Lisäksi yhdistetty suodin/UV-kirkastin takaa kirkaan veden, jos suodinlaitteiden valintataulukossa ja näissä käyttöohjeissa esitettyjä neuvoja noudatetaan.

Turva- ja sähkökykennät

VAROITUS: IRROTA KAIKKI LAMMESSA OLEVAT LAITTEET VIRTALÄHTEESTÄ ENNEN KÄSIEN TYÖNTÄMISTÄ VETEEN VÄLINEITÄ ASENNETTAESSA, KORIATTAESSA, HUOLLETTAESSA TAI KÄSITELTÄESSÄ.

Tätä tuotetta EI SAA UPOTTAA VETEEN ja se on asetettavat paikkaan, josta se ei pääse putoamaan tai täyttymään vedellä. Tuote on silti suunniteltu vedenpitäväksi, ja Bioforce-suodattimet voidaan asentaa ulkotiloihin turvallisuuksi vaarantamatta.

Suora altistuminen ultravioletivalolle saattaa vaurioittaa silmiä ja ihoa. Lampppua EI SAA yrittää katsoa sen pallessa muuten kuin lyhyen aikaa samean tarkkailulinsin läpi.

Tämä tuote toimitetaan varustettuna 5m:n 3-säikeisellä sähköjohtolla. Tämän laitteen yhteydessä toimitettu kosketin ei ole vedenpitävä.

Sähkökaapelia ei voi vaihtaa. Jos kaapeli vioittuu, yksikköä ei saa enää käyttää.

Asennuksen täytyy vastata kansallisia sähköasennusmääräyksiä, jotka voivat edellyttää johdon suojaamista muovisella tai metallisella suojauskella.

Verkkosyöttöön on EHDOTTOMASTI asennettava 10mA tai 30mA vikavirtasuojakytkin (RCD).

Verkkosyötön asennusten (kova johdotus) on oltava paikallisen sähköviranomaisen asetusten mukainen, joissa voi olla määräys muovisen tai metallisen vaipan käyttämisestä kaapelin suojaamiseksi.

Jos olet epä tietoinen verkkosyötön johdotuksesta, ota yhteys sähkötekniikkoon tai paikalliseen sähkötoimituksista vastaavaan viranomaiseen.

Suojele jäätymiseltä, jos laitetta ei käytetä kautta vuoden. Kylmällä säällä (jolloin kalat eivät ole aktiivisia ja leväkasvu lakkaa) laite voidaan katkaista toiminnasta. Tällöin se on tyhjennettävä vedestä, irrotettava (jos mahdollista) sen asennuspisteistä ja varastoitava kuivaan, jäätymiseltä suojattuun paikkaan.

LAITTEIDEN KOKO

Seuraavalla sivulla olevasta suodinlaitteiden valintataulukosta ilmenee pumpun, suotimen ja joustavan letkun halkaisijan tietojen yleiset suositukset alle 9 000 litran puutarhalammikoissa. Parhaiden tulosten saavuttamiseksi seuraavat olosuhdetekijät on kuitenkin otettava huomioon.

Syvyys

Hozelock Cyprio suosittelee 1,2m:n vähimmäissyvyyttä karppilammikoita varten. Jos lammikon keskimääräinen syvyys on alle 0,75m, ympäristötekijä on +25%. (Auringon valo läpääsee kokonaan matalat lammikot lämmittäen ne nopeasti. Tämä edistää vuorostaan leväkasvuja).

Paikka

Lammikon paikka määrittelee sen, kuinka paljon aurinkoa tai varjoa lampi saa osakseen. Auringonpaistetta kautta koko päivän vastaanottavien lampien ympäristötekijä on +25%.

Ilmasto

Ilmasto vaikuttaa veden lämpötilaan ja kalojen toimintavarmuuteen/syöttämisen vaatimuksiin. Mitä aktiivisempi kala, sitä suuremmat vaatimukset se asettaa suodatintarjostelmalle.

Kuumassa ilmastossa (esim. Etelä-Afrikassa), ympäristötekijä on +35%.

Lauheassa ilmastossa (esim. Etelä-Afrikka), ympäristötekijä on +15%.

Pohjois-Euroopan ilmastossa (suurimassa osassa Isoa-Britanniaa) ympäristötekijä on +0.

Esimerkki

Puutarhalammikkosi on 2300 litran kultakalalammikko, jonka syvyys on 5 cm (ympäristötekijä +25%). Asuinpaikkasi on Lontoo - Pohjois-Euroopan alue (ympäristötekijä +0%). Lammikko on suorassa auringonpaisteissa (+25%). Näin ollen lammikkosi varsinaisen volyymin lisäksi on 50% (25% + 25%) ja laitteesi kokovaatimus on sama kuin 3500 vesilitran lammikolle.

Asennus

1.1 Tärkeää: Tätä laitetta syöttävän pumpun pään suuruus ei saa ylittää 6m (0,6 baaria)

1.2 Bioforce koostuu pumpputyönteisestä, paineistetusta ulkopuolisesta suodattimesta ja UV-laitteista, jotka sopivat asennettaviksi maahan lammikon viereen tai haudattaviksi näkyvistä vesilähteen yläpuolelle. Ne voidaan myös asentaa maanpinnan yläpuolelle.

Jos haluat haudata Bioforce-suodattimen ja UV:n osittain maan alle, kaivettu kolo on täytettävä suodattimen hautauksen jälkeenhiekalle niin että laite on hyvin tuettu.

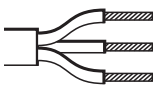
- 1.3 Bioforce-suodattimissa on sisääntulo- ja ulosmenokanavat 20/25mm:n Cyprilex-letkun asentamiseksi (katso kääntöpuolen laitteen valinnan kaaviota). Pumpun ja suodattimen tyhjennysputkien on oltava mahdollisimman kaukana toisistaan aptimin veden kierrätyksen saamiseksi; tämä on syytä pitää mielessä Cyprilex-letkua hankittaessa, mitattaessa ja leikattaessa.
- 1.4 Leikkaa Bioforce-suodattimen letkukanavat käytettävän letkun halkaisijaan sopivaksi (Katso kuvaa 2). Kytke sen jälkeen pumpun letku sisääntuloletkun kanavaan ja kiinnitä Hozelock Cyprio-letkunpuristimia käyttämällä, jotka ovat hankittavissa erikseen. Älä kiristä liian tiukalle.
- Tyhjennysletku kiinnitetään samalla tavalla. Vältä kierteiden ja taitekohtien muodostumista ja pidä tämä letkuosa mahdollisimman lyhyenä virtausnopeuden estymisen minimoimiseksi.

Lampun asennus ja vaihto

- 2.1 Avaa seitsemän kiinnityshakasta ja poista kansi varovasti (Jos kannen poistaminen on hankalaa, työnnä aukkaan kolikko ja väännä sitä hieman).
- 2.2 Poista ruuvi, joka pitää keskellä olevan putken kiinni kannessa. Pyöritä putkea vastapäivään ja irrota vetämällä (katso kuva 3).
- 2.3 Poista kvartsilasiputki samalla tavalla (katso kuva 4).
- 2.4 Lampun kanta on nyt näkyvissä, joten voit painaa lampun paikalleen (katso kuva 5).
- 2.5 Kokoa kvartsilasiputki paikalleen ja varmista, että ruuvien kanta on oikeassa paikassa ja ruuvi on kiinnitetty. Kiinnitä bajonettiputki kanteen pyörittämällä putki paikalleen ja kiinnitä ruuvi.

Kytkenät

- 3.1 **TÄRKEÄÄ:** Tämä tuote on suunniteltu liitettäväksi sähkövirtaan säältä ja kosteudelta suojattuna.
- Jos tarvitset jatkojohtoa verkkoliitäntää varten, käytä vesitiiviistä liitintä ja polykloropreenikumilla eristettyä 3-säikeistä 0,75 mm² jatkojohtoa, viite: H05 RN-F.
- 3.2 **VAROITUS:** Laite TÄYTYY maadoittaa, ja kytkennät on tehtävä seuraavan koodin mukaisesti:
- RUSKEA johto on liitettävä ELÄVÄÄN napaan, jossa on merkintä 'L'.
- SININEN johto on liitettävä NEUTRAALIIN napaan, jossa on merkintä 'N'.
- VIHREÄ/KELTAINEN johto on liitettävä MAA napaan, jossa on merkintä " .



Ruskea - Virta

Sininen - 0

Vihreä/keltainen - Maa

Virtausnopeus

- 4.1 Lammikon volyymin on kuljettava Bioforce-suodattimen läpi 1 1/2 - 3 tunnissa; karppilammikoita varten suositellaan käytettäväksi nopeinta virtausta. Älä ylitä määritettyä maksimia, joka on esitetty kääntöpuolen laitevalintakaaviossa. Oikea virtausnopeus on ehdottoman tärkeä kirkaan veden saamiseksi. Jos asennus ei aiheuta suuria menetyksiä (esim. pitkiä

letkuvälejä), voi olla välttämätöntä säätää virtaus tuottamaan 1 1/2 - 3 tunnin kiertonopeus Hozelock Cyprio-letkukanava käyttämällä (Hozelock Cyprio Flow Control Hose Tap).

- 4.2 Pienihalkaisijainen letku, tarpeettoman pitkät letkuosat ja korkea pumppausnosto (=”pää”) voivat kaikki laskea huomattavasti pumpun tehoa. Suosittelemme sellaisen pumpun valitsemista, joka tuottaa tarvittavan virtauksen täysin staattista nostoa vastaan (=pystyysuora etäisyys lammikon ja suodatintuloaukon välillä) plus 0,6 m kitkan aiheuttamia menetyksiä varten letkuissa.
- 4.3 Suodatuksen tavoitteena on jätemateriaalin siirto lammikosta suodattimeen ja täten kaikkien laitteiston osana käytettävien pumppujen on pystyttävä käsittelemään kiinteitä aineksia. Suosittelemme Hozelock Cyprio suodinpumpun käyttöä, jotka on suunniteltu erityisesti sellaisia lammikoita varten, joiden kokoja varten on tarjolla Bioforce-suodattimia. Pumppu on asetettava lammikon syvimmän osan pohjalle, sillä tämä on paikka, mihin kiinteät ainekset kerääntyvät.
- 4.4 Virtausnopeuden tarkastaminen: Ota tietyn suuruinen astia ja ajoita, kuinka kauan sen täyttämiseen kestää (sekunteina). Jaa sen jälkeen 3600 niiden sekuntien määrällä, joka vei astian täyttämiseen ja kerro astian litramäärällä. Tuloksena on virtausmäärä litroina tuntia kohti.

Käyttöajat

- 5.1 Pidä suodatus käytössä kautta koko vuorokauden kalojen syöttösesongin aikana (kunnes veden lämpötila laskee alle 10°C), mutta mieluummin myös kautta vuoden. Talvella pumpun ja suodattimen käyttö ylläpitää hyvälaatuisen bakteriakannan taustatasoa Bioforce-suodattimessa ja avustaa lammikon jäätyksen estämisessä paitsi hyvin kylmällä säällä. Jos pumppu kytketään irti talven ajaksi, Bioforce-suodatinta on ”kypsyttävä” alusta alkaen (katso jaksoa ”Kypsyttäminen”, 7.1) Älä koskaan syötä kaloja, kun suodatin ei ole käytössä.

Kalojen määrä ja niiden tarvitsema elintila

- 6.1 Normaaleissa olosuhteissa ja syöttöohjelmissa Bioforce-suodattimet suoriutuvat 50 cm:n kalamäärästä lammikon 1000 vesilitraa kohti. Lisää kaloja lammikkoon hitaasti ensimmäisten viikkojen aikana 20 prosentin tasolle suositellusta maksimimäärästä ja lisää tasoa haluttaessa 50 prosenttiin kuuden kuukauden kuluessa. Jäljellä oleva tila on tarkoitettu kalojen kasvua varten.

Kypsyttäminen

- 7.1 Biologinen kypsyttäminen tarkoittaa sitä, että suodatin on kehittänyt tarpeeksi nitraattia bakteereita vahingollisen kalojen jäteaineksen ja muun orgaanisen jätteen (esim. ammoniakki, nitriitti) muuttamiseksi vaarattomaksi nitraatiksi. Tämä prosessi vie yleensä 6-8 viikkoa, joskin se riippuu monista eri tekijöistä kuten veden lämpötilasta, syöttömäärästä ja kalojen määrästä. (On suositeltavaa, että et kytke UV:tä toimimaan tämän aikajakson aikana.)

Bioforcen puhdistus

8.1 Bioforcen suodattimet antavat tuloksia mahdollisimman tehokkaasti mahdollisimman vähäisellä huollolla. Jos lammikko on hyvin likainen, suodatinta saatetaan joutua puhdistamaan alussa muutaman päivän välein, sillä jätettä suodatuu erittäin nopeasti. Kun lammikko alkaa kirkastua, poistettavaa jätettä on vähemmän, joten suodatinta ei enää tarvitse puhdistaa yhtä usein. Painesuodattimet ovat tehokkaimmillaan silloin, kun vaahtolevyt tukkiutuvat hieman, mutta kun tukkeama kasvaa, vettä pääsee vähemmän levyjen läpi ja suodatinta on puhdistettava. Huomaa: Suodattimen pitkäikäinen käyttö silloin, kun suodatinta on täynnä, tekee puhdistamisen vaikeaksi ja saattaa lyhentää vaahtolevyjen käyttöikää.

8.2 TÄRKEÄÄ: Likaisen veden palautuminen suotimen läpi takaisin lampeen voidaan estää nostamalla upoksissa oleva ulostuloputki vedestä suotimen kanta korkeammalle ennen pumpun sammuttamista. Näin estetään veden palautuminen. Lisäksi ennen kuin kanta yritetään irrottaa, tarkkailulinssiä on ruuvattava hieman auki, jotta järjestelmään mahdollisesti jäänyt lapposulku vapautuu.

8.3 Perusteellinen puhdistus

Avaa seitsemän kiinnikettä ja irrota kansi varovasti (jos se on vaikeaa, työnnä aukkoon kolikko ja käännä varovasti). Irrota vaahtolevyt varovasti suodinastiasta ja purista lika pois. Käytä suotimessa olevaa vettä ja huuhtelee kukin vahto yksitellen kuin sieni ja purista likainen vesi suodinastian ulkopuolelle. Aseta puhdas vahto tai vaahdot takaisin ja varmista, että ne ovat tasaisesti. Astiasta kannattaa ehkä poistaa hieman vettä toimenpiteen helpottamiseksi.

Asenna kansi takaisin. Varmista, että tiiviste on paikallaan ja puhdas. Lisää tiivisteeseen tarvittaessa kevyt kerros silikoniravastoa kokoamisen helpottamiseksi. Kiinnitä seitsemän kiinnikettä uudelleen ja varmista, että kaikki ovat tukevasti paikoillaan. Kiristä sitten tarkkailulinssi.

8.4 Vastahuuhtelu

Perusteellisen puhdistuksen aikaväliä voidaan pidentää tekemällä Bioforce-suotimen vastahuuhtelu. Se tehdään vaihtamalla syötön ja ulostulon putket keskenään tai kytkemällä erillinen jäteputki Bioforcen syöttöön ja käynnistämällä pumppu uudestaan. Huomautus: Varmista, että paluuputki ei ole lammessa vaan että se menee jätteisiin. Vaihda putket takaisin paikoilleen, kun suotimen läpi tuleva vesi on kirkasta (noin 30 sekuntia).

8.5 Normaalisti vaahdon tukilevyä ei tarvitse irrottaa. Jos kuitenkin on tarpeen päästä käsiksi biomediaan, tukilevy voidaan irrottaa nostamalla se irti astiasta (katso kuva 6). Aseta tukilevy kunnolla takaisin paikalleen, jotta biomedialla ei pääse vapaaksi.

UV-kvartsiputken huolto

9.1 Varsinkin kovan veden alueilla UVC-lampun kvartsiputken jännesuojus voi peittyä kalkkijätteen. Tämä vähentää yksikön tehokkuutta, jos lampua ei puhdisteta. Aloita puhdistus sammuttamalla pumppu ja UV-valon virtalähde. Poista kansi ja bajonettiputki kohdassa 2.1 kuvatulla tavalla ja pyyhi kvartsiputkea pehmeällä liinalla, joka on kostutettu miedolla puhdistusaineella, esimerkiksi etikalla (katso kuva 7).

Lamppu kestää jatkuvassa käytössä korkeintaan 12 kuukautta. Vaihda lamppu tämän jälkeen, vaikka se tuottaisikin vielä valoa.

Talvivarastointi

10.1 TÄRKEÄÄ: Kun yksikköä ei käytetä, se on irrotettava, pestävä ja kuivattava huolellisesti ja säilytettävä kuivassa paikassa suojassa pakkaselta. Säilytä yksikköä aina kansi auki, jolloin yksikkö pysyy kuivana ja tuulettuna.

Kirkkaan veden takuu

ANNAMME KIRKKAAN VEDEN TAI RAHAT TAKAISIN.

Takuu on voimassa vuoden ostopäivästä lähtien seuraavilla ehdoilla:

- noudatetaan asennus- ja käyttöohjeita.
- käytetään oikeankokoisia välineitä alla olevan lammen kokotaulukon mukaan.
- palautetaan tuotteen viioittumattomana.

Hyvityksen voi antaa vain Hozelock Cyprio ja se annetaan vain ostopaikassa.

Huomaa, että kirkkaan veden takuu ei ole voimassa silloin, kun aiheuttajana on levämatto eikä viherlevä.

2 Vuoden tuotetakuu

Jos tämä tuote menee epäkuntoon kahden vuoden sisällä ostopäivästä, se korjataan vai vaihdetaan edustajan harkinnan mukaan veloituksetta paitsi jos edustajan näkemyksen mukaan tuotetta on vahingoitettu tai väärinkäytetty. Tätä takuuta voidaan hyödyntää lähettämällä tuote ja ostotodistus suoraan Hozelock Cyprion asiakaspalveluosastolle. Tämä takuu ei koske vaahtoja eikä UV-lamppua.

Yhteystiedot / varaosat

www.hozelock.com

Tekniset tiedot

Osanumero	1350	1351
Alue	Bioforce	
Voltia (V)	230V 50Hz	
UVC-teho (W)	9	11
Maksimi lammen koko kalojen kanssa	3 000 l	4 500 l
Maksimi lammen koko ilman kaloja	6 000 l	9 000 l
Maksimi Hozelock Cyprio Aquaforce -pumppukoko (l/h)	2500	4000
IP-luokitus	IPX4	IPX4
Maks. veden lämpötila Tmaks., (°C)	35°C	35°C
* Mitattu valvotuissa olosuhteissa		



Älä hävittää sähkölaitteita lajittelemattomana yhdyskuntajätteenä, käytä erillisiä keräyspisteitä. Ota yhteys paikallisviranomaisiin koskien käytettävissä olevia keräysjärjestelmiä. Jos sähkölaitteita hävitetään täyttömaahan tai kaatopaikoille, vaarallisia aineita voi vuotaa pohjaveteen ja päästä ruokaketjuun vahingoittaen terveyttä ja hyvinvointia. EU-alueella, vaihdettaessa laitteita uusiin, jälleenmyyjä on lakisääteisesti velvollinen ottamaan vastaan vanhan laitteen hävitystä varten vähintäänkin ilmaiseksi.

DK

Tak fordi du valgte et kvalitetsprodukt fra Hozelock. Du kan være sikker på, at dette produkt fungerer pålideligt.

Sikkerheds information

Vi anbefaler ikke at produktet anvendes af personer (inklusive børn) som har nedsat fysisk eller mental kapacitet.

Børn skal instrueres om at de ikke må lege med produktet.



DENNE VEJLEDNING SKAL LÆSES OMHYGGELEGT IGENNEM OG BEBEVARES FOR FREMTIDIG BRUG

Hozelock Cyprio Bioforce-filtre er et helt nyt begreb indenfor systemer, der opretholder fiskebestande i havebassiner. De er:

- **SMÅ** men **EFFEKTIVE**
- **NEMME** at **SKJULE**
- **PROBLEMFRI** at **VEDLIGEHOLDE**

Og de kan placeres næsten overalt (Se Fig. 1).

Når de bruges sammen med behørig bassinpumper, vil de fjerne uønskede faststoffer fra vandet og omdanne opløst organisk og kemisk fiskeaffald til harmløse stoffer. Det kombinerede filter/UVC-enhed vil ydermere levere garanteret klart vand, hvis den rådgivning, som gives i filtervalgtabellen og i denne vejledning, følges.

Sikkerhed og elektriske forbindelser

ADVARSEL: ADVARSEL: MAN SKAL ALTID TAGE STIKKET UD AF KONTAKTEN ELLER KOBLE ALLE BASSINUDSTYR FRA FORSYNINGSNETTET, FØR MAN PUTTER HÆNDERNE NED I VANDET, NÅR UDSTYRET INSTALLERES, REPARERES, VEDLIGEHOLDES ELLER HÅNTERES.

- ⚠ Dette produkt **MÅ IKKE NEDSÆNKES I VAND** og skal placeres således, at det ikke kan falde ned i vandet eller blive fyldt med vand. Konstruktionen er imidlertid vandtæt og det er ikke forbundet med nogen risiko at installere Bioforce-filtre udendørs.
- ⚠ Direkte udsættelse overfor ultraviolet lys kan beskadige øjne og hud. **MAN MÅ IKKE** forsøge at se på lampen, mens den er tændt, undtagen et kort øjeblik gennem den opale linse.
- ⚠ Dette produkt leveres komplet med 5m treleder kabel. Det medfølgende stik er ikke vandtæt.

⚠ Udsat ledningsføring skal placeres på fornuftig vis og beskyttes, hvis nødvendigt, med armeret installationsrør, især hvis det er sandsynligt, at det kan komme i berøring med haveredskaber (såsom greb eller plæneklipper), børn eller husdyr.

⚠ En 10mA eller 30mA retstrømsanordning (RCD) SKAL tilsluttes strømforsyningen.

⚠ Ledningen kan ikke skiftes ud, ved evt. skade på ledningen skal hele produktet kasseres.

⚠ Installationen skal overholde de lokale elmyndigheders krav. Disse omfatter brugen af ledningsrør af plastik eller metal for at beskytte kablet.

⚠ Kontakt en autoriseret el-installatør eller det lokale elværk, såfremt De er i tvivl om tilslytning til lysnettet.

⚠ Skal beskyttes mod frost, hvis enheden ikke er i brug hele året rundt. I koldt vintervejr (når fiskene ikke er aktive og algevækst ophører) kan der slukkes for enheden. Den skal tømmes for vand, fjernes (hvis det er muligt) fra sin installation og opbevares på et tørt, frostfrit sted.

Størrelsesberegning af udstyr

Filtervalgtabellen på omstående side giver en generel vejledning vedrørende specifikationer for pumpe, filter, UVC-enhed og fleksibel slange-diameter for havebassiner op til 9000 liter. Men for at opnå de bedste resultater skal de følgende forholdsfaktorer ligeledes tages i betragtning.

Dybde

Hozelock Cyprio anbefaler en minimumdybde på 1,2m for Koi-bassiner.

For et bassin med en gennemsnitlig dybde på under 0,75m er forholdsfaktoren +25%. (Lavvandede bassiner er udsat for fuld gennemtrængning af sollys og varmes hurtigt op, hvilket fremmer algevækst).

Placering

Bassinplacering er afgørende for den mængde sollys eller skygge en bassin modtager i løbet af dagen. Bassiner, der er udsat for sollys hele dagen, har en forholdsfaktor på +25%.

Klima

Klimaet har indflydelse på vandtemperatur og fiskeaktivitet/fodningskrav. Jo mere aktive fiskene er, jo større er kravene der stilles til filtreringssystemet.

I varme områder (f.eks. Sydafrika) er forholdsfaktoren +35%.

I temperede områder (f.eks. Sydeuropa) er forholdsfaktoren +15%.

I et nordeuropæisk klima (dvs. de fleste områder i Storbritannien) er forholdsfaktoren +0%.

Eksempel

De har et 2.250 liter stort guldfiskebassin, der er 60 cm dybt (forholdsfaktor +25%). De bor i London - et nordeuropæisk klima (forholdsfaktor +0%). Bassinet er udsat for fuldt sollys (+25%). Det effektive bassinvolumen er derfor forhøjet med 50% (25% + 25%), og De bliver derfor nødt til at dimensionere udstyret, som om Deres bassin indeholder 3.375 liter.

Installation

- Vigtigt:** Pumpen, der forsyner denne enhed, må ikke have en pumpetrykhøjde på over 6m (8,5 PSI, 0,6 Bar).
- Bioforce er pumpetilførte, eksterne trykfiltere og UV-enheder, der passer ideelt til installation i jorden ved siden af bassinet eller skjult ved toppen af et vandfald. De kan også placeres over jorden.
Hvis det vælges at grave Bioforce-filter + UV-enhed delvist ned skal huller udfyldes med sammentrykt sand for at understøtte enheden.
- Bioforce-filtre har tilløbs- og afløbslangeender, der passer til 19/25mm Cypriflex-slanget (der henvises til Filterudstyrs-udvælgelseskemaet sidst i vejledningen). Pumpe- og filterafløbsrøret skal være så langt som muligt fra hinanden for at give optimal vandcirkulation, så tag venligst dette i betragtning når Cypriflex-slangen indkøbes, måles og skæres til.
- Skær Bioforce-slangeenderne til, så de passer til diameteren på den anvendte slange (Se Fig. 2). Tilslut derefter slangen fra pumpen til indløbslangeenden og fastgør med Hozelock Cyprio-slangeklemmer, der fås separat. Der må ikke overstrammes.

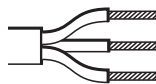
Udløbsslangen fastgøres på samme måde. Undgå knæk og bøjninger og sørg for at slangen er så kort som muligt for at reducere strømningens begrænsning.

Installation og udskiftning af lampe

- Løsn de syv fastgørelsessklemmer og tag forsigtigt låget af. (Hvis det er vanskeligt, kan du sætte en mønt i spalten og vride den forsigtigt).
- Tag skruen, der fastgør midterøret til låget, ud, drej røret mod uret og træk i det for at få det ud (Se Fig 3).
- Fjern kvartsrøret på samme måde (Se fig. 4).
- Lampeholderen er nu tilgængelig og lampen kan skubbes på plads (Se fig. 5).
- Genmonter kvartsrøret, idet det sikres, at skruenasten er indstillet korrekt og skruen er på plads. Bøjnerøret monteres på låget igen ved at dreje det på plads og skrue fastgørelsesskruen i igen.

Ledningsføring

- OBS: Dette produkt skal tilkobles til en tør vandtæt elinstallation.**
Hvis du ikke kan nå strømforsyningsens tilkoblingspunkt uden forlængerledning, skal der anvendes en vandtæt stikforbindelse og forlængerledningen skal være et 0,75 mm² trelæderkabel, der er isoleret med polychloroprenkumm, ref: H05 RN-F.
- ADVARSEL:** Dette apparat SKAL jordforbindes, og det er vigtigt, at forbindelserne udføres ved hjælp af følgende kode:
Den BRUNE ledning skal kobles til den STRØMFØRENDE klemme afmærket 'L'.
Den BLÅ ledning skal kobles til den NEUTRALE (dvs. NUL) klemme afmærket 'N'.
Den GRØNNE/GULE ledning skal kobles til JORD klemmen afmærket "



Brun - strømførende

Blå - neutral

Grøn/gul - jord

Strømningshastighed

- Bassinvolümet skal passere igennem Bioforce-filteret hver 1 1/2 - 3 timer, hvoraf den hurtigste strømningshastighed anbefales for Koi-bassiner. Den maksimale hastighed, som angivet i Filterudstyrs-udvælgelseskemaet sidst i vejledningen, må ikke overskrides. Korrekt strømningshastighed er absolut nødvendig for at opnå klart vand. Hvis installationen ikke lider af højt tab (f.eks. lang slangeledning) kan det være nødvendigt at justere strømningshastigheden for at opnå den 1 1/2 - 3 timer lange cirkulationshastighed ved hjælp af en Hozelock Cyprio gennemstrømningsregulerings-slangehane.
- Slanget med en lille diameter, uafhængigt lange slangeledninger og en høj pumpeløftehøjde (= pumpetrykhøjde) kan alt sammen reducere en pumpe effekt. Vi anbefaler, at der vælges en pumpe, som kan yde den nødvendige strømningshastighed mod fuld statisk løftehøjde (= lodret distance mellem bassinoverflade og filtertilløb) plus 0,6m for at tage hensyn til friktionstab i slanger.
- Formålet med filtreringen er at overføre affaldsmateriale fra bassinet til filteret, så enhver pumpe, som anvendes som en del af pakken, skal være i stand til at kunne klare faste stoffer. Vi anbefaler en Hozelock Cyprio filterpumpe, der er specielt konstrueret til brug for bassiner i det størrelsesudvalg, der dækkes af Bioforce. Pumpen skal placeres på bunden af den dybeste del af bassinet, da det er der, faste stoffer vil ophobe sig.
- Strømningshastigheden kontrolleres på følgende måde: Tag en beholder hvis indholdsvolumen er kendt og tag tid på hvor lang tid det tager at fylde den op (i sekunder). Divider derefter 3600 med det antal sekunder, det tager at fylde beholderen og gang det tal med beholderens indholdsvolumen (i liter). Resultatet vil være strømningshastighed i liter pr. time.

Driftsperioder

- Filtreringssystemet skal køre 24 timer i døgnet i fiskefodrings sæsonen (indtil vandtemperaturen falder til under 10°C), men det er bedst at lade det køre hele året rundt. I vintersæsonen vil pumpe- og filterdrift vedligeholde et baggrundsniveau af gavnlige bakterier i Bioforce-filteret og vil hjælpe med til at forhindre at bassinet fryser til under alle, undtagen de mest ekstreme, vejrforhold. Hvis pumpen slukkes for vinteren, skal filtermateriale (skum og/eller plastik-biomateriale) vaskes grundigt. Om foråret vil det være nødvendigt at genmodne Bioforce fra grunden igen (se 'Modning', 7.1). Fiskene må aldrig fodres, når filteret ikke er i brug.

Fiskeudsætningsintensitet og -tæthed

- Under normale omstændigheder og normalt fodringsregimen vil Bioforce-udvalget understøtte fisk op til 50 cm pr. 1000 liter (25cm fisk pr. 450 liter) bassinkapacitet. Udsæt fisk langsomt i løbet af de første få uger, op til 20% af det maksimalt anbefalede niveau, og øg dette til 50% efter de første seks måneder,

hvis det ønskes. Den overskydende kapacitet sikrer, at fiskevækst tages i betragtning.

Modning

- 7.1 Biologisk modning betyder, at filteret har opbygget tilstrækkeligt med nitrifikationsbakterier til at omdanne skadeligt fiske- og andet organisk affald (f.eks. ammoniak, nitrit) til harmløst nitrat. Denne proces tager normalt 6-8 uger, men afhænger af mange forskellige faktorer såsom vandtemperatur, fodringsintensitet og udsætningstæthed. (Det anbefales, at UV-enheden ikke tændes i denne periode.)

Rengøring af Bioforce

- 8.1 Bioforce filtre giver maksimal ydelse med minimalt vedligehold. Hvis bassinet er meget snavset, kan det i begyndelsen være nødvendigt at rense filteret med få dages mellemrum, da det vil opsuge store mængder affaldsstoffer. Når bassinet bliver klarere, vil der være mindre affald, der skal fjernes og filteret behøver da ikke at blive rensat så ofte. Trykfiltere er mest effektive, når skummet er delvist tilstoppet. Men efterhånden som denne tilstopning øges, kan mindre vand strømme gennem skummet og det vil blive nødvendigt at rengøre det. Bemærk: Hvis filteret fortsat bruges efter det er fuldt, kan det være vanskeligt at få det rent igen og skumskivernes levetid kan forkortes.

- 8.2 **VIGTIGT:** Muligheden for, at snavset vand suges tilbage gennem filteret og ned i bassinet, kan overvindes ved at løfte det nedsænkede udløbsrør op af vandet og op over højden på filterlåget, før der slukkes for pumpen. Dette vil bryde enhver potentiel tilbagesugning. Sammen med dette skal man, før man forsøger at tage låget af, skrue den opale linse en smule løs for at afhjælpe en yderligere potentiel tilbagesugningslås i systemet.

8.3 Grundig rengøring

Løsn de syv fastgøringsklemmer og tag forsigtigt låget af (hvis det skulle være lidt svært, kan der trykkes en mønt ind i rillen og drejes forsigtigt). Løft forsigtigt skumpladerne ud af filterbeholderen og tryk snavset ud. Brug vandet i filteret til at rense hver eneste svamp ved at suge vandet op i den og trykke det snavsede vand ud udenfor filterbeholderen. Sæt det/de rene skum tilbage på plads, idet det sikres, at de ligger fladt. Det kan hjælpe af fjerne noget af vandet fra beholderen.

Genmonter låget og sørg for at pakningen er på plads og fri for snavs og rester. Hvis det er nødvendigt, kan der påføres et tyndt lag silikonefedt på pakningen for at lette monteringen. Sæt de syv fastgøringsklemmer tilbage på plads, idet det sikres at de alle er helt på plads, hvorefter den opale linse igen tilspændes.

8.4 Tilbageskylningsrengøring

Det er muligt at forøge intervallet mellem grundige rengøringer ved at tilbageskylle Bioforce filteret. Dette gøres ved helt enkelt at bytte om på indløbs- og udløbsrørene eller tilskoble et separat affaldsrør til Bioforce-indløbet og tænde for pumpen igen.

Bemærk: Sørg for, at returneringsrøret ikke efterlades i bassinet, men føres til affaldsbeholder. Byt rørene om igen når vandet, der løber fra filteret, bliver klart (ca. 30 sekunder).

- 8.5 Det vil normalt ikke være nødvendigt at fjerne skumrets støtteplade. Hvis du imidlertid skal have adgang til biomediet, skal du fjerne støttepladen ved at løfte den helt ud af beholderen (Se fig. 6). Sørg for at du genmonterer støttepladen korrekt, så biomediet ikke frigives.

Sådan plejes uv kvartsglasrøret

- 9.1 Kvartsrøret kan blive dækket med kalkbelægninger, især i områder med hårdt vand. Dette vil reducere effektiviteten. Rengøring: sluk for pumpen og strømtilførslen til UV-enheden, tag låget og bajonetrøret ud, som beskrevet i note 2.1 og tør kvartsrøret af med en blød klud, der er fugtet med et mildt rensmiddel som f.eks. eddike (Se fig 7). Lampens levetid er 12 måneder ved kontinuerlig brug. Derefter skal lampen udskiftes, selv om den stadig gløder.

Vinterlagring

- 10.1 Når enheden ikke er i brug skal den tages ud, vaskes og tørres grundigt og opbevares på et tørt og frostfrit sted. Enheden skal altid lagres med låget af for at sikre god udluftning og tørring.

Klartvandsgaranti

VI GARANTERER KLART VAND ELLER PENGENE TILBAGE. Denne garanti gælder i 12 måneder efter købsdato under forudsætning af, at:

- du har fulgt installations- og driftsvejledning;
- udstyret du bruger er af korrekt størrelse i henhold til nedenstående tabel.
- Varen returneres i uskadt tilstand.

En refundering kan kun autoriseres af Hozelock Cyprio og kan kun finde sted på indkøbsstedet.

Bemærk venligst, at Clearwater garantien ikke dækker vandklarhedstab, når engæder fremfor grøntvandsalger er årsagen hertil.

2 Års produktgaranti

Hvis dette produkt bliver ubrugeligt indenfor 2 år efter indkøbsdatoen, vil det alt efter vores agents vurdering blive repareret eller udskiftet gratis, med mindre det efter vores agents mening er blevet beskadiget eller misbrugt. For at gøre brug af denne garanti skal produktet fremsendes sammen med indkøbsbevis direkte til Hozelock Cyprio, Customer Services Department (kundeserviceafdeling). Denne garanti omfatter ikke skumrene og UV-lampen.

Kontakt / reservedele

www.hozelock.com

Tekniske specifikationer

Varenummer	1350	1351
Serie	Bioforce	
Volt (V)	230V 50Hz	
UVC effekt (W)	9	11
Maksimal bassin størrelse med fisk	3000 l	4500 l
Maksimal bassin størrelse uden fisk	6000 l	9000 l
Maks. størrelse af Hozelock Cyprio Aquaforce pumpe (lpt)	2500	4000
IP klassifikation	IPX4	IPX4
Maks. vandtemperatur Tmaks., (°C)	35°C	35°C
* Målt under kontrollerede forhold		



Elektrisk udstyr må ikke bortskaffes som usorteret kommunalt affald. Brug faciliteter til separat indsamling. Kontakt din kommune for information om de tilgængelige indsamlingssystemer. Hvis elektrisk udstyr bortskaffes på lossepladser eller affaldspladser, kan farlige stoffer sive ind i grundvandet og komme ind i fødekæden. Dette har en negativ indvirkning på sundhed og velvære. Når gammelt udstyr udskiftes med nyt, er forhandlere i EU juridisk forpligtet til at tage dit gamle udstyr tilbage med henblik på bortskaffelse - i det mindste gratis for dig.

P

Obrigado por ter escolhido um produto da qualidade Hozelock, poderá ficar descansado com a fiabilidade de serviço deste produto.

Diretrizes e segurança

Este aparelho não foi concebido para ser utilizado por pessoas (incluindo crianças) cuja capacidade física, sensorial ou mental seja reduzida, ou que tenham pouca experiência e conhecimentos, a não ser que sejam vigiadas por uma pessoa responsável pela sua segurança, ou que dela tenham recebido formação sobre o emprego do aparelho. As crianças devem ser vigiadas e não devem ter oportunidade para brincar com o aparelho.



É FAVOR LER COM ATENÇÃO E GUARDAR ESTE FOLHETO DE INSTRUÇÕES

Os filtros Hozelock Cyprio Bioforce constituem um conceito completamente novo no sector de sistemas de suporte da criação de peixes em lagos de jardim. As suas características:

- São **PEQUENOS** mas **EFICIENTES**
- São **FÁCEIS** de **DISSIMULAR**
- São **FÁCEIS** de **MANTER**

E podem colocar-se em quase toda a parte. (Consultar a Fig. 1).

Ligados à bomba para lago de tamanho apropriado, removem as partículas sólidas residuais da água e transformam os detritos orgânicos e químicos dissolvidos dos peixes em compostos inofensivos. Além disso, a combinação do filtro com o clarificador de raios ultra-violeta confere uma Garantia de Águas Limpidas se o cliente aderir aos conselhos fornecidos no Gráfico de Seleção de Equipamento para o Filtro e nestas instruções.

Segurança e ligações eléctricas

- ⚠ **ADVERTÊNCIA: DESLIGAR SEMPRE TODOS OS APARELHOS DOMÉSTICOS RELATIVOS AO LAGO, RETIRANDO A SUA FICHA DA TOMADA ELÉCTRICA, ANTES DE COLOCAR AS MÃOS NA ÁGUA A FIM DE INSTALAR OU CONSERTAR O EQUIPAMENTO OU PARA FAZER REVISÕES OU MANIPULAR O MESMO.**
- ⚠ Este produto **NÃO É SUBMERSÍVEL**, não devendo ser colocado onde possa cair à água nem onde possa ficar inundado. A unidade foi, contudo, desenhada à prova das intempéries, e os filtros podem ser instalados no exterior sem que haja algum problema.
- ⚠ A exposição directa aos raios ultra-violeta pode causar lesões oculares e dérmicas. **NÃO** tentar visualizar a lâmpada quando acesa, excepto brevemente através da lente opaca de visualização.
- ⚠ Este produto é fornecido juntamente com 5m de cabo eléctrico de núcleo 3. A ficha eléctrica fornecida com esta unidade não é à prova de água.
- ⚠ As extensões de cabo exposto devem ser cuidadosamente colocadas e protegidas, se necessário, por intermédio de canalizações reforçadas, especialmente em locais onde possa haver contacto com ferramentas e equipamento tais como forquilhas e cortadoras de relva, ou onde haja movimento de crianças ou animais.

- ⚠ DEVE montar-se um Interruptor de Circuito da Corrente Residual de 10mA ou 30mA (RCD) nas linhas de alimentação eléctrica.
- ⚠ O cabo de alimentação não pode ser substituído. Caso o cabo sofra danos, a unidade deverá ser descartada.
- ⚠ A instalação deve aderir à legislação nacional e local relativa às conexões eléctricas, a qual pode incluir a utilização de condutores de plástico ou metal para protecção do cabo.
- ⚠ Se tiver quaisquer dúvidas sobre as principais ligações eléctricas feitas nas linhas de alimentação, é favor consultar um electricista qualificado ou a autoridade local de energia eléctrica.
- ⚠ Proteger da geada se a unidade não for utilizada durante o ano inteiro. Em climas de inverno frio (altura em que os peixes deixam de estar activos e as algas páram de crescer) pode desligar-se a unidade. Deve então escoar-se a água da unidade, mudando-se esta (se possível) para local seco e protegido da geada.

Cálculo do tamanho necessário para o equipamento

O Gráfico de Selecção de Equipamento para o Filtro, incluído no verso, fornece-lhe directrizes gerais sobre as especificações da bomba, filtro e diâmetro de mangueira flexível necessários para lagos de jardim com uma capacidade máxima de 9.000 litros. Para obter resultados óptimos, convém ainda tomar em consideração os seguintes factores condicionais:

Profundidade

Hozelock Cypro recomenda uma profundidade mínima de 4' (1,2m) para lagos de peixes Koi.

Para lagos com uma média de profundidade de menos de 2'6" (0,75cm), o Factor Condicional é de + 25%. Os lagos pouco profundos estão sujeitos à plena penetração da luz solar e aquecem também mais rapidamente, o que facilita o crescimento de algas.

Localização

A localização do lago determina a sua exposição diária à sombra ou luz solar. Os lagos completamente expostos à luz solar durante todo o dia têm um Factor Condicional de +25%.

Clima

O clima afecta a temperatura da água e a percentagem de actividade dos peixes, assim como os seus requisitos alimentares. Quanto mais activos forem os peixes, mais se exigirá do sistema de filtração.

Em climas quentes (por exemplo, na África do Sul), o Factor Condicional é de +35%.

Em climas temperados (por exemplo, no Sul da Europa), o Factor Condicional é de +15%.

Exemplo

Você tem um lago artificial de 500 galões (2300 litros), de 2' (60cm) de profundidade com douradas (Factor Condicional +25%). Você vive em Londres, num clima típico do norte da Europa (Factor Condicional +0%). O lago encontra-se completamente exposto à luz solar (+25%). O volume efectivo do seu lago aumenta assim 50% (25% + 25%), sendo necessário avaliar o tamanho do seu equipamento como se o seu lago tivesse uma capacidade de 750 galões (3400 litros).

Instalação

- 1.1 Importante: A capacidade da bomba que forneça água a esta unidade não pode exceder os 6m (8,5 PSI, 0,6 Bar)
- 1.2 Os Bioforce são unidades de filtro e UV externos e pressurizados, concebidos para serem utilizados com bombas, sendo a sua instalação ideal em posição enterrada, no solo adjacente ao seu lago artificial, ou em local dissimulado por cima de uma cascata. Podem também ser colocados à superfície do solo.

Se decidir enterrar parcialmente o seu filtro e UV Bioforce, deve voltar a encher firmemente o local cavado com areia compacta, que servirá de apoio à unidade.
- 1.3 Os filtros Bioforce incluem extensões de admissão e saída de mangueiras, para encaixar em mangueiras Cypriflex de 20/25mm (3/4" - 1") (queira consultar o Gráfico de Selecção de Equipamento, na página seguinte). A bomba e tubo de saída do filtro devem distar um do outro o máximo possível de modo a que a circulação da água seja ideal; quando comprar, medir e cortar a sua mangueira Cypriflex, lembre-se deste pormenor.
- 1.4 Cortar os encaixes de mangueira do seu filtro Bioforce em tamanho apropriado ao diâmetro da mangueira utilizada (Consultar a Fig. 2). A seguir, ligar a mangueira da sua bomba ao encaixe de admissão e fixar com pinças Hozelock Cypro para mangueira, as quais estão à sua disposição em separado. Não apertar demasiadamente.

A mangueira de saída deve ser encaixada do mesmo modo. Evitar nós e dobras, e limitar o máximo possível a extensão, de modo a reduzir as restrições do fluxo.

Instalação e substituição da lâmpada

- 2.1 Desapertar os sete cliques de fixação e retirar cuidadosamente a tampa (se tiver alguma dificuldade, deve inserir uma moeda na ranhura fornecida, rodando-a lentamente).
- 2.2 Retirar o parafuso que fixa o tubo central à tampa e rodar o tubo no sentido inverso dos ponteiros dum relógio, puxando depois por ele para o soltar (Consultar a Fig. 3).
- 2.3 Retirar o tubo de vidro de quartzo de forma semelhante (Consultar a Fig. 4)
- 2.4 Tendo assim estabelecido acesso ao suporte da lâmpada, engatar a lâmpada em posição (Consultar a Fig. 5)
- 2.5 Voltar a montar o tubo de quartzo na sua posição, certificando-se de que a saliência do parafuso fica de novo alinhada e de que o parafuso está devidamente apertado. Voltar a montar o tubo de baioneta na tampa, torcendo-o até ficar em posição, e voltar a encaixar o parafuso de fixação à tampa.

Conexões

- 3.1 **IMPORTANTE: Este produto deve ser conectado a uma ficha eléctrica, num local seco e protegido das intempéries.**

Se a tomada não chegar à ficha das linhas de abastecimento e for preciso utilizar uma extensão, deve

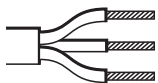
usar um conector impermeável, e o cabo de extensão deve estar isolado com borracha de policloropreno, cuja ref. é H05 RN-F de 3 fios e 0,75mm2

- 3.2 **AVISO:** Este aparelho TEM de ser ligado à terra, e as ligações eléctricas TÊM de aderir ao seguinte código:

O fio CASTANHO deve ser ligado ao terminal ACTIVO, o qual tem a marca 'L'.

O fio AZUL deve ser ligado ao terminal NEUTRO, o qual tem a marca 'N'.

O fio VERDE/AMARELO deve ser ligado ao terminal de TERRA o qual tem o símbolo '⊕'.



Castanho - Com corrente

Azul - Neutro

Verde/amarelo - terra

Taxa de Fluxo

- 4.1 O volume total do lago deve passar pelo Bioforce em cada 1 1/2 - 3 horas, sendo esta a taxa mais rápida de fluxo recomendada para lagos Koi. Não exceder o volume máximo, conforme indicado no Gráfico de Selecção de Equipamento, na página seguinte. A taxa de fluxo correcta é essencial para se obter água límpida. Se a sua instalação não sofrer muitas perdas (por exemplo, grandes extensões de mangueira) pode ser que seja necessário ajustar o fluxo, de modo a alcançar a taxa de circulação completa cada 1 1/2 - 3 horas, através da utilização de uma Torneira Hozelock Cyprio de Controlo do Fluxo da Mangueira.

- 4.2 Tanto as mangueiras de pequeno diâmetro como extensões de mangueira desnecessariamente longas ou um grande poder de elevação na bomba (=capacidade) podem reduzir consideravelmente o rendimento das bombas. Recomendamos que seleccione uma bomba que forneça o fluxo necessário contra uma elevação estática completa (= distância vertical entre a superfície do lago e a entrada do filtro), mais 0,6m (2 pés) para desconto das perdas de fricção nas mangueiras.

- 4.3 O objectivo da filtração é transferir o material de refugo do lago artificial para o filtro, e é por essa razão que a bomba utilizada como parte do conjunto deve ter a capacidade de lidar com matéria sólida. Recomendamos a bomba de filtro Hozelock Cyprio, especificamente desenhada para lagos dos tamanhos abrangidos pelo Bioforce. A bomba deve ser colocada no fundo da região mais profunda do lago, pois é nessa região que as matérias sólidas se acumulam.

- 4.4 Para verificar a sua taxa de fluxo: Utilize um receptáculo cujo volume seja estabelecido, e verifique quanto tempo demora a encher (em segundos). Divida então 3600 pelo número de segundos que demora a encher o receptáculo, e multiplique o resultado pelo volume (em litros ou galões) do receptáculo. O resultado indicará a taxa de fluxo em galões ou litros por hora.

Períodos de Operação

- 5.1 Mantenha a filtração durante 24 horas por dia durante toda a época de alimentação dos peixes (até que a temperatura da água desça abaixo de 10°C), de preferência o ano inteiro. Durante o inverno, a operação da bomba e filtro mantém um nível básico de bactérias benignas no Bioforce, ajudando a evitar que o lago se cubra de gelo em todas as condições climáticas excepto

as mais rigorosas. Se a bomba for desligada durante o Inverno, deve lavar-se cuidadosamente a membrana média do filtro (espuma e/ou biomembrana plástica). Na primavera, o seu Bioforce precisa de ser novamente temperado, como se fosse a primeira vez que o fizesse (consultar 'Maturação', 7.1). Nunca alimente os seus peixes quando não estiver a utilizar o filtro.

Taxa da Quantidade e Densidade de Peixes

- 6.1 Em condições e regime alimentar normais, a gama Bioforce tem capacidade para um máximo de 50cm de peixes por cada 1000 litros (10" por cada 100 galões) de capacidade do lago artificial. Introduza os peixes lentamente durante as primeiras semanas, até atingir um máximo de 20% do nível recomendado, aumentando este número, se desejar, até 50% ao fim de seis meses. O espaço restante inclui o desconto necessário para a reprodução dos peixes.

Maturação

- 7.1 Maturação biológica significa que o filtro acumulou bactérias nitrificantes em quantidade suficiente para proporcionar a conversão de peixes e outros detritos orgânicos nocivos (por exemplo, Amónia e Nitrito) em Nitrato, que é benigno. Este processo normalmente leva de 6 a 8 semanas, dependendo porém de muitos factores, tais como a temperatura da água, a taxa de alimentação e a densidade dos peixes. (Recomendamos-lhe que não ligue a sua unidade UV durante este período).

Limpeza do bioforce

- 8.1 Os filtros Bioforce oferecem-lhe um desempenho máximo em troca de um mínimo de manutenção. Se o seu lago estiver muito sujo, talvez de início o filtro necessite de ser limpo a intervalos de alguns dias, visto que irá acumular detritos muito rapidamente. Uma vez que as águas do lago se tornem mais límpidas, há que retirar menos detritos do lago, sendo que o filtro não necessita de limpezas tão frequentes. Os filtros pressurizados são mais eficientes quando as espumas de coagem se encontram parcialmente entupidas. Porém, quanto mais entupido ficar o filtro, menos água pode passar através da espuma, sendo necessário limpar esta. Nota: Se utilizar o filtro durante bastante tempo no estado 'cheio', será mais difícil limpar o mesmo, o que pode fazer com que os discos de espuma durem menos tempo.
- 8.2 **IMPORTANTE:** Para impedir a possibilidade do sistema sugar águas sujas pelo filtro e novamente para dentro do lago, elevar da água o tubo de descarga submerso e colocar acima da altura da tampa do filtro antes de desligar a bomba. Isto interrompe qualquer movimento de sifão das águas. Para além disto, antes de se tentar remover a tampa é necessário desparafusar ligeiramente a lente de visualização, a fim de libertar qualquer bloqueio potencial do efeito de sifão que se possa observar no sistema.
- 8.3 **Limpeza meticulosa**
Abrir os sete cliques de segurança e retirar cuidadosamente a tampa (em caso de dificuldade, inserir uma moeda na ranhura fornecida e girar cuidadosamente). Remover cuidadosamente os discos

de espuma da vasilha do filtro e espremer para retirar a sujidade. Utilizando água do filtro, enxaguar as espumas, uma de cada vez, empregando uma acção de esponja e espremendo a água suja para fora da vasilha do filtro. Posicionar novamente a(s) espuma(s) limpa(s), certificando-se de que ficam em posição horizontal. Para tal, talvez seja necessário remover parte da água da vasilha.

Encaixar novamente a tampa, certificando-se de a vedação está em posição e não contém detritos ou sujidade. Adicionar uma leve camada de massa de silicone à vedação, caso necessário, para ajudar a estabelecer a montagem. Engatar de novo os sete cliques de segurança, certificando-se de que estão todos firmemente em posição, e apertar novamente a lente de visualização.

8.4 Limpeza a pressão por corrente retrógrada

Pode-se aumentar o intervalo entre as limpezas mais meticulosas através da utilização de outro método de limpeza: o de limpeza a pressão por corrente retrógrada do filtro Bioforce. O processo é simples, bastando trocar os tubos de entrada e descarga ou conectar um tubo de descarga adicional à abertura de entrada no Bioforce, ligando depois novamente a bomba.

Nota: Certificar-se de que o tubo de retorno não fica mergulhado no lago, sendo antes orientado para um recipiente para detritos. Trocar novamente os tubos uma vez que a corrente de água do filtro saia limpa (o que leva cerca de 30 segundos).

- 8.5 Normalmente não há necessidade de remover a placa de suporte das espumas. Contudo, se for necessário obter acesso aos meios biológicos, deve-se remover a placa de suporte, bastando para tal levantar a mesma para fora da vasilha (ver a fig. 6). Voltar a encaixar esta placa correctamente, de forma a que os meios biológicos não fiquem soltos.

Manutenção do tubo de quartzo de raios ultravioleta

- 9.1 Especialmente em áreas de águas duras, a manga de quartzo que reveste a lâmpada UVC pode ficar coberta de depósitos calcários, o que reduz a eficiência da unidade caso se permita a sua acumulação. Para limpar a unidade, desligar a bomba e o abastecimento eléctrico ao aparelho de UV, retirar a tampa e o tubo de baioneta, conforme descrito na nota 2.1, e limpar o tubo de quartzo com um pano macio humedecido com um produto de limpeza brando como por exemplo vinagre (Consultar a fig. 7). Cada lâmpada dura um período máximo de 12 meses de utilização contínua. Passado esse período, substituir a lâmpada, mesmo que ainda funcione.

Armazenamento durante o inverno

10.1 IMPORTANTE: Quando não estiver a utilizar a unidade, deve retirá-la da sua posição, lavá-la e secá-la completamente e guardá-la em local seco, protegido da geada. Guardar sempre a unidade com a tampa removida para assegurar um nível adequado de ventilação e secagem.

Garantia de águas límpidas

GARANTIMO-LHE ÁGUAS LÍMPIDAS, OU DEVOLVER-LHE-EMOS O DINHEIRO GASTO. Esta garantia é válida por 12

meses após a compra, desde que:

- Tenha aderido às instruções de instalação e operação;
- Esteja a usar equipamento do tamanho correcto, segundo o gráfico de tamanhos de lago abaixo incluído.
- O produto tenha sido devolvido sem danos.

Apenas a Hozelock Cyprio poderá autorizar os reembolsos, e apenas no local onde se fez a compra.

Atenção ao facto de que a Garantia de Águas Límpidas não cobre a redução da limpidez das águas caso seja causada por uma infestação de algas tipo flutuantes filamentosas, ao contrário de algas de águas verdes.

Garantia de 2 anos para o produto

Se este produto deixar de funcionar no prazo de 2 anos a partir da data da sua aquisição, o mesmo será consertado ou substituído (dependendo de decisão do representante) e este serviço é gratuito, a não ser que o representante considere que o produto foi mal utilizado ou danificado. Para extrair todos os benefícios desta garantia, o consumidor deve enviar o produto, juntamente com a prova de compra, directamente para a Hozelock Cyprio, Departamento de Assistência ao Cliente (Customer Services Department). Esta garantia exclui as espumas e lâmpada de raios ultra-violeta.

Contacto / Peças Suplentes

www.hozelock.com

Informações Técnicas

Número da Peça	1350	1351
Gama	Bioforce	
Volts (V)	230V 50Hz	
Potência UVC (W)	9	11
Tamanho máximo do lago com peixes	3.000 l (4.500 l
Tamanho máximo do lago sem peixes	6.000 l	9.000 l
Tamanho máx. da bomba Aquaforce da Hozelock Cyprio (lph)	2500	4000
Classificação IP	IPX4	IPX4
Temperatura máx. da água Tmáx., (° C)	35°C	35°C
* Medido sob condições controladas		



Não elimine os dispositivos eléctricos como lixo municipal não separado, utilize as instalações de recolha específicas para estes materiais. Contacte as autoridades locais para obter informações sobre os sistemas de recolha disponíveis. Se os aparelhos eléctricos forem eliminados em aterros ou lixeiras, as substâncias perigosas podem ser vertidas para as águas subterrâneas e passarem para a cadeia alimentar, danificando a sua saúde e o seu bem-estar. Na União Europeia, aquando da substituição de aparelhos antigos por novos, o revendedor é obrigado legalmente a recolher gratuitamente o seu aparelho antigo para eliminação.

PL

Dziękujemy za wybór wysokiej jakości produktu Hozelock - możecie być Państwo pewni po nim rzetelnego działania.

Informacje dot. bezpieczeństwa

Urządzenie nie powinno być obsługiwane przez osoby (również dzieci) z upośledzeniem psychicznym, ograniczonym odczuwaniem fizycznym a także bez doświadczenia i wiedzy; jeżeli nie zostały wcześniej przeszkolone i nie są pod nadzorem i obserwacją osób odpowiedzialnych za ich bezpieczeństwo.

Dzieci powinny być pod nadzorem osób dorosłych, odkurzacz nie służy do zabawy



NALEŻY GRUNTOWNIE ZAPOZNAĆ SIĘ Z NINIEJSZĄ INSTRUKCJĄ ORAZ ZACHOWAĆ JĄ NA PRZYSZŁOŚĆ DO WGLĄDU

Filtry Hozelock Cyprio Bioforce to zupełnie nowy system wspomagający życie rybek w ogrodowych oczkach wodnych. Filtry te są:

- **MAŁE A SKUTECZNE**
- **ŁATWE DO UKRYCIA**
- **ŁATWE W OBSŁUDZE**

Mogą być zainstalowane prawie w każdym miejscu. (Patrz ryc. 1).

W połączeniu z odpowiednią pompą filtry te zapewniają czystą i klarowną wodę w sadzawce, usuwają zanieczyszczenia, a rozpuszczane w wodzie organiczne i chemiczne substancje pochodzące z odchodów rybich przetwarzają na nieszkodliwe związki. Instalacja promiennika UV w zestawie z filtrem gwarantuje czystą i klarowną wodę w sadzawce, pod warunkiem zastosowania się do zaleceń tabeli doboru urządzeń filtracyjnych i niniejszej instrukcji.

Podłączenie elektryczne i zasady bezpieczeństwa

UWAGA NA PRĄD ELEKTRYCZNY! PODCZAS INSTALOWANIA, NAPRAW, KONSERWACJI LUB PRZENOSZENIA SPRZĘTU SADZAWKOWEGO NIE WKŁADAĆ RĄK DO WODY PRZED ODŁĄCZENIEM WSZYSTKICH URZĄDZEŃ W SADZAWCE OD SIECI ZASILANIA.

⚠ Urządzenie to NIE MOŻE BYĆ ZANURZANE W WODZIE i powinno być tak zainstalowane, aby nie spadło do wody lub było narażone na zalanie wodą. Filtry Bioforce charakteryzują się odpornością na warunki atmosferyczne i można je instalować na zewnątrz.

⚠ Bezpośrednie wystawienie na działanie promieni ultrafioletowych może być szkodliwe dla oczu i skóry. NIE NALEŻY przeprowadzać oględzin świeczącej lampy UV, można najwyżej zajrzeć przez półprzezroczyste okienko wizerne, aby sprawdzić, czy lampa działa.

⚠ Urządzenie to wyposażone jest w 3 żyłowy przewód elektryczny o długości 5 metrów. Wtyczka, która jest częścią tego kompletu, nie jest wodoszczelna.

⚠ Zewnętrzne przebiegi kabla powinny być rozsądnie zaplanowane i, jeżeli to konieczne, kabel powinien być zabezpieczony uzbrojoną rurą kablową, szczególnie jeśli mógłby stykać się w ogrodzie z narzędziami takimi jak grabie czy kosiarki, albo przebiegać w miejscach zabaw dzieci czy ścieżkach uczęszczanych przez zwierzęta domowe.

⚠ Do sieci MUSI być zamontowany automatyczny wyłącznik prądu szczytkowego (RCD) o natężeniu 10mA lub 30mA.

⚠ Uszkodzony przewód elektryczny nie podlega wymianie. Jeśli jest on uszkodzony, należy wymienić całe urządzenie.

⚠ Instalacja musi być zgodna z lokalnym prawem, które może zalecać użycie plastikowej albo metalowej rurki do zabezpieczenia kabla.

⚠ W razie jakichkolwiek wątpliwości związanych z podłączeniem do sieci i okablowaniem, należy zasięgnąć porady wykwalifikowanego elektryka lokalnej spółki elektrycznej.

⚠ Jeżeli urządzenie nie jest przeznaczone do ciągłego użytku przez cały rok, należy chronić je przed mrozem. W zimie (kiedy aktywność rybek słabnie i ustaje wzrost glonów) urządzenie można zupełnie wyłączyć. Wtedy należy usunąć z niego wodę a nawet (jeśli to możliwe) całkiem je wymontować i przechowywać w pomieszczeniu suchym i chronionym przed mrozem.

Dobieranie wielkości sprzętu

Tabela doboru sprzętu filtrującego (na odwrocie) podaje ogólne zalecenia dotyczące parametrów technicznych pomp i filtrów oraz średnicy giętkich węży do sadzawek ogrodowych o pojemności do 9 000 litrów. Dla zapewnienia optymalnych rezultatów należy także wziąć pod uwagę wymienione niżej uwarunkowania (czynniki środowiskowe).

Głębokość

Hozelock Cyprio poleca minimalną głębokość 1.2 m dla sadzawek z karpiami koi.

Dla oczek wodnych o średniej głębokości, poniżej 0,75 m, WW wynosi +25%. Woda w płytkich zbiornikach, z powodu silnego oddziaływania słońca, nagrzewa się szybciej, co z kolei przyspiesza wzrost glonów.

Umiejscowienie sadzawki

Od niego zależy ilość światła docierającego do sadzawki w ciągu dnia. Sadzawki umiejscowione w pełnym słońcu przez cały dzień charakteryzuje WW + 25%.

Klimat

Od klimatu zależy temperatura wody, aktywność rybek

oraz częstotliwość ich karmienia. Im bardziej aktywne rybki, tym większa potrzeba filtracji. W gorącym klimacie (Afryka Płd.) WW wynosi +35%; w łagodnych ciepłych warunkach klimatycznych (południe Europy) wynosi on +15% a w Europie północnej (większość obszarów WB) WW równa się +0%.

Przykład

Masz oczko wodne ze złotymi rybkami, którego objętość równa się 500 galonów wody a głębokość 2 stopy (1 stopa = 35,5 cm) WW wynosi więc +25%. Mieszkaśz w Londynie – klimat północno europejski (WW równa się +0). Sazdawka znajduje się cały czas w pełnym słońcu (+25%). W takim układzie, efektywna objętość twojego oczka zwiększa się o 50% (25% + 25%) i wobec tego musisz dobrać taki sprzęt, jak gdyby twoje oczko miało 750 galonów wody.

Instalacja

- 1.1 Uwaga:** Pompa zasilająca ten system nie może mieć większego ciśnienia wody niż 8,5 psi (0,6 bara), co odpowiada słupowi wody o wysokości 6m
- 1.2** Bioforce to zespoły zewnętrznych filtrów ciśnieniowych i UV, które zasilane są przez pompę. Doskonale nadają się do zainstalowania w ziemi w sąsiedztwie oczka wodnego, ponad gruntem lub można je ukryć na szczycie wodospadu. Jeżeli zdecydujesz o częściowym ukryciu filtra Bioforce + UV w ziemi, pamiętaj o dokładnym wypełnieniu dołka piaskiem, tak aby urządzenie było w nim bezpiecznie osadzone.
- 1.3** Filtry Bioforce zawierają wlotowe i wylotowe końcówki dostosowane do węża Cypriflex o parametrach 20/25 mm (3/4" na 1"), (patrz Karta Przegładowa Sprzętu na odwrocie.) Aby nastąpiła optymalna cyrkulacja wody, rury wlotowe pompy i wylotowe filtra powinny być od siebie maksymalnie oddalone. Należy o tym pamiętać przy kupnie, pomiarach i odcinaniu odpowiedniej ilości węża Cypriflex.
- 1.4** Przytnij końcówki węża na filtryze Bioforce do wielkości odpowiadającej średnicy używanego węża (Patrz ryc. 2). Przyłtącz wąż od pompy do wlotowej końcówki filtra i zabezpiecz za pomocą opaski zaciskowej węża Hozelock Cyprio Hoseslip (są one dostępne osobno). Nie zaciskaj opaski za mocno.

Tak samo należy postąpić z wężem wylotowym. Przy instalacji staraj się utrzymywać wężę prosto (unikaj skrętów i załamania) i aby zminimalizować opory przepływu wody, staraj się eksploatować urządzenie na możliwie niewielkiej długości węża.

Instalowanie i wymiana lampy

- 2.1** Odczepić siedem zacisków mocujących i ostrożnie zdjąć pokrywę (w razie potrzeby można podważyć pokrywę wsuwając monetę w specjalną szczelinę i ostrożnie obracając pokrywę).
- 2.2** Wykręcić śrubę mocującą tuleję środkową do pokrywy, obrócić tuleję w kierunku przeciwnym do ruchu wskazówek zegara i wyciągnąć (zob. rys. 3).
- 2.3** W podobny sposób wymontować tuleję kwarcową lub szklaną (zob. rys 4).
- 2.4** Uzyskawszy dostęp do oprawy lampy, wsunąć lampę na miejsce (zob. rys 5).
- 2.5** Wmontować na miejsce tuleję kwarcową, przed dokręceniem śruby zwracając uwagę, aby występ śruby pasował do otworu. Zamontować tuleję bagnetową w

pokrywie wkładając na miejsce i mocując śrubą.

Instalacja elektryczna

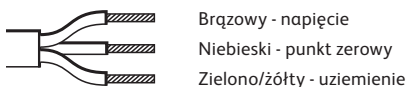
- 3.1 UWAGA:** Produkt należy podłączyć do sieci elektrycznej w suchym i zabezpieczonym przed wilgocią miejscu.

Jeżeli konieczne jest przedłużenie kabla, należy do tego celu użyć złączki do kabla odpornej na warunki atmosferyczne, natomiast przedłużacz musi posiadać izolację polichloroprenową (H05 RN-F, 3-żyłowy, 0,75mm²).

- 3.2 UWAGA:** Urządzenie MUSI być uziemione, a połączeń należy dokonać według następującego schematu: Przewód BRĄZOWY należy podłączyć do końcówki GORĄCEJ (pod napięciem), oznaczonej literą 'L'.

Przewód NIEBIESKI należy podłączyć do końcówki ZEROWEJ oznaczonej literą 'N'.

Przewód ZIELONO-ŻÓŁTY należy podłączyć do końcówki UZIEMIENIA oznaczonej symbolem " ".



Natężenie przepływu

- 4.1** Cała woda sadzawki ogrodowej powinna przepływać przez filtr Bioforce w czasie 1,5 - 3 godzin, przy czym szybszy przepływ w zalecany jest dla oczek wodnych zarybionych karpiami koi. Nie przekraczaj maksymalnych wartości podanych na Karcie Przegładowej Sprzętu (na odwrocie). Prawidłowe natężenie przepływu jest niezbędne do utrzymania czystej wody w sadzawce. Jeżeli w twojej instalacji nie występują za duże opory przepływu wody (na przykład z powodu zbyt długiego węża) to może okazać się pożytecznym wyregulowanie natężenia przepływu na wymiennosć wody co 1.5 - 3 godzin za pomocą specjalnego regulatora przepływu Hozelock Cyprio Low Control Hose Tap.
- 4.2** Wydajność pompy mogą ograniczać takie czynniki jak: mały przekrój węża, za długie węże oraz wysokie ciśnienie słupa wody. Zalecamy wobec tego dobrą taką pompę, która zapewni odpowiednie natężenie przepływu w stosunku do pełnego statycznego wyporu pompy (= pionowa odległość między powierzchnią oczka wodnego a wlotem filtra), plus 0.6m (2 stopy) na ewentualne straty wskutek tarcia w wężach.
- 4.3** Zadaniem filtracji jest przeniesienie zanieczyszczeń z sadzawki do filtra, wobec tego pompa dobrana do realizacji tego zadania musi być przystosowana do przepompowywania zanieczyszczeń w postaci ciał stałych. Zalecamy pompy typu Hozelock Cyprio, które są specjalnie dostosowane do wszystkich wielkości sadzawek obsługiwanych przez filtry Bioforce. Pompę taką powinno się instalować w najgłębszym punkcie zbiornika wodnego, czyli w miejscu gdzie zbiera się najwięcej zanieczyszczeń w postaci ciał stałych.
- 4.4** Jak sprawdzać natężenie przepływu: Weź pojemnik o określonej objętości i dokonaj pomiaru czasu jego wypełnienia (w sekundach). Podziel liczbę 3600 przez ilość tych sekund i pomnóż przez objętość zbiornika w litrach (lub galonach). Otrzymany wynik jest natężeniem przepływu w litrach (lub galonach) na godzinę.

Okresy eksploatacji

- 5.1 Utrzymuj filtrację 24 godziny na dobę przez cały sezon aktywnego karmienia rybek (aż do czasu, kiedy temperatura wody spadnie poniżej 10oC), a jeśli to możliwe to przez cały rok. W zimie zastosowanie pompy i filtra pozwoli na utrzymanie odpowiedniego poziomu przyjaznych bakterii w Bioforce i ochroni powierzchnię sadzawki przed zamarzaniem. Jednakże odnosi się to tylko do dość łagodnych warunków zimowych. Jeśli wyłączymy pompę na zimę, bioelementy filtra (biopianko-gąbka i/albo bioplastikowa wkładka) muszą być dokładnie wymyte. Na wiosnę, filtr Bioforce musi być od początku poddany procesowi dojrzewania (patrz "Dojrzewanie filtra", 7.1). Uwaga, nie wolno karmić rybek kiedy filtr nie działa.

Wskaźnik zarybienia i zagęszczenia sadzawki

- 6.1 W normalnych warunkach i przy normalnym systemie karmienia, asortyment filtrów Bioforce może obsłużyć do 50cm na 1000 litrów (10" rybek na 100 galonów) objętości oczka wodnego. Zarybienie sadzawki powinno odbywać się powoli i w pierwszych tygodniach nie przekroczyć 20% polecanej ilości maksymalnej. Po sześciu miesiącach można zwiększyć zarybienie do 50% maksymalnej ilości. Tak zrównoważone zarybienie pozwoli rybkom na wzrastanie w normalnych warunkach.

Dojrzewanie filtra

- 7.1 Biologicznie dojrzały filtr to taki, w którym wytworzyła się dostateczna ilość bakterii nitryfikujących, a więc zdolnych do przetworzenia groźnych zanieczyszczeń rybnych i organicznych (takich jak amoniak i azotyn) w nieszkodliwe azotany. Proces dojrzewania trwa zwykle od 6 do 8 tygodni i uzależniony jest od wielu czynników, takich jak temperatura wody, czystość i ilość podawania rybkom karmy oraz gęstość zarybienia. Nie zaleca się w tym okresie włączania lampy ultrafioletowej.

Czyszczenie filtra Bioforce

- 8.1 Filtry Bioforce zapewniają optymalną wydajność przy minimum konserwacji. Jeżeli sadzawka jest silnie zanieczyszczona, na początku czyszczenie filtra może być konieczne co kilka dni, ponieważ filtr będzie bardzo szybko pobierać zanieczyszczenia. W miarę oczyszczania się wody w sadzawce obciążenie filtra zmniejszy się, a zatem tak częste czyszczenie nie będzie konieczne. Filtry ciśnieniowo zapełniona. Niemniej jednak, gdy pianka jest częściowo zapełniona. Niemniej jednak, w miarę zapełniania się pianki, zmniejsza się przepływ wody przez instalację i wówczas filtr należy oczyścić. Uwaga: dłuższa eksploatacja filtra przy całkowitej zapełnionej piance może utrudnić czyszczenie i skracać trwałość krążków piankowych.
- 8.2 **UWAGA:** aby zapobiec wstępnemu przepływowi zanieczyszczonej wody z filtra do sadzawki zaleca się przed wyłączeniem pompy wyjąć z wody rurę wylotową i unieść ponad wysokość pokrywy filtra. Zapobiega to wstępnemu zasysaniu wody. Oprócz tego zaleca się -przed zdjęciem pokrywy - lekko odkręcić wskaźnik stanu filtra należy, aby uwolnić dodatkowy korek powietrzny, który mógł utworzyć się w instalacji.

8.3 Dokładne czyszczenie

Odkręcić siedem zacisków mocujących i ostrożnie zdjąć pokrywę (w razie potrzeby można wsunąć monetę w specjalną szczelinę i ostrożnie nią obracając podważyć pokrywę). Ostrożnie wyjąć krążki piankowe ze zbiornika filtra i wycisnąć zanieczyszczenia. Kolejno wypłukać każdy krążek zanurzając w wodzie z filtra, a następnie wysysając jak gąbkę na zewnątrz filtra. Oczyszczoną piankę włożyć do filtra tak, aby krążki leżały płasko. Zaleca się wylać nieco wody ze zbiornika.

Zamontować pokrywę, sprawdzając, czy uszczelka znajduje się na miejscu i nie jest zanieczyszczona. W razie potrzeby lekko nasmarować uszczelkę smarem silikonowym, aby ułatwić montaż. Zamocować siedem zacisków zwracając uwagę, aby były we właściwym położeniu i dokręcić wskaźnik stanu filtra.

8.4 Płukanie filtra strumieniem zwrotnym

Przepłukiwanie filtra Bioforce strumieniem zwrotnym sprawia, że dokładne czyszczenie filtra można rzadziej przeprowadzać. Jest to prosta czynność, wymagająca tylko zamiany rury wylotowej na wlotową i odwrótnie lub też podłączenia do wlotu filtra Bioforce osobnej rury spustowej, po czym wystarczy włączyć ponownie pompę.

Uwaga: rury odpływowej nie należy pozostawiać w sadzawce, ale odprowadzić do ścieku. Gdy z rury wypływająca będzie czysta woda, należy ponownie montować na swoje miejsce rury wlotu i wylotu (po upływie około 30 sekund).

- 8.5 Normalnie nie trzeba wyjmować tacy do wkładek piankowych, ale jeśli potrzebny jest dostęp do materiałów biofiltracyjnych, należy wyjąć tacę w całości ze zbiornika (patrz rys. 6). Wkładając tacę na miejsce należy to robić uważnie, aby nie dopuścić do rozproszenia materiałów biofiltracyjnych.

Czyszczenie kwarcowej tulei promiennika UV

- 9.1 Na osłonie tulei lampy kwarcowej promiennika może osadzać się kamień, szczególnie jeżeli woda jest twarda. Nagromadzenie się osadu zmniejszy wydajność urządzenia, a zatem należy je oczyścić. W tym celu należy wyłączyć pompę i odciąć dopływ prądu do promiennika, następnie wymontować pokrywę i tuleję bagnetową zgodnie z instrukcją w punkcie 2.1. Wytrzeć tuleję kwarcową miękką szmatką zwilżoną łagodnym środkiem czyszczącym np. octem (zob. rys. 7). Maksymalny okres trwałości lampy wynosi 12 miesięcy ciągłego użytkowania. Po upływie tego czasu lampę należy wymienić, nawet jeśli jeszcze świeci.

Przechowywanie w okresie zimowym

- 10.1 **UWAGA:** przed odstawieniem na zimę urządzenie należy zdemontować, dokładnie oczyścić, wypłukać i osuszyć. Przechowywać w suchym miejscu, zabezpieczonym przed mrozem. Przechowywać ze zdjętą pokrywą, aby zapewnić odpowiednią wentylację i nie dopuścić do gromadzenia się wilgoci.

Gwarancja klarownej wody „clearwater”

GWARANTUJEMY PAŃSTWU CZYSTĄ, PRZEZROCZYSTĄ WODĘ LUB ZWROT PIENIĘDZY. Okres gwarancji wynosi 12 miesięcy od daty zakupu, pod warunkiem spełnienia przez

użytkownika następujących wymogów:

- zastosowanie się do instrukcji instalacji i obsługi;
- stosowanie sprzętu o właściwych parametrach, zgodnie z tabelą kalibracyjną sadzawki podaną poniżej;
- zwrot produktu w stanie nieuszkodzonym.

Upoważnienie na zwrot pieniędzy wydaje wyłącznie firma Hozelock Cyprio, a zrealizować je można tylko w miejscu zakupu.

Uwaga: gwarancją Clearwater nie jest objęta utrata klarowności wody spowodowana glonami włosowatymi, ale jedynie zielenicami.

Dwuletnia gwarancja

Jeżeli przed upływem 2 lat od daty zakupu urządzenie przestanie działać prawidłowo, agent producenta zleci (wedle swojego uznania) nieodpłatną naprawę lub wymianę produktu, chyba że w jego opinii urządzenie zostało uszkodzone lub używane niezgodnie z przeznaczeniem.

Aby skorzystać z gwarancji należy wystąpić z urządzeniem wraz z dowodem zakupu bezpośrednio do działu serwisowego firmy Hozelock Cyprio. Gwarancja nie obejmuje pianki ani lampy UV.

Kontakt / Części zamienne

www.hozelock.com

Dane techniczne

Numer części	1350	1351
Seria	Bioforce	
Napięcie (V)	230V 50Hz	
Moc promiennika UVC (W)	9	11
Maksymalna pojemność sadzawki z rybami	3000 l	4500 l
Maksymalna pojemność sadzawki bez ryb	6000 l	9000 l
Maksymalna wydajność pompy Hozelock Cyprio Aquaforce (l/ godz.)	2500	4000
Stopień ochrony IP	IPX4	IPX4
Maksymalna temperatura wody Tmax., (°C)	35°C	35°C
* Pomiar w warunkach kontrolowanych		



Urządzeń elektrycznych nie należy wyrzucać wraz z niesortowanymi odpadami komunalnymi, należy je oddać do specjalistycznych punktów zbiórki odpadów. Miejscowy urząd udziela informacji na temat dostępnych metod usuwania odpadów. Jeśli urządzenia elektryczne są składowane na wysypiskach śmieci, niebezpieczne substancje mogą przenikać do wód gruntowych i dostać się do łańcucha pokarmowego działając szkodliwie na zdrowie. Na terytorium Uni Europejskiej sprzedawca jest prawnie zobowiązany do nieodpłatnego przyjęcia zużytego sprzętu i jego utylizacji w przypadku wymiany zużytych urządzeń na nowe..

HOZELOCK

Hozelock Ltd.
Midpoint Park, Birmingham,
B76 1AB. England
Tel: +44 (0) 121 313 1122

www.hozelock.com

33851-000